



US00D439087S

(12) **United States Design Patent**  
**Fuchs**

(10) **Patent No.:** **US D439,087 S**

(45) **Date of Patent:** **\*\* Mar. 20, 2001**

(54) **ORNAMENTATION FOR A FIXTURE**

(75) Inventor: **Thomas P. Fuchs**, New York, NY (US)

(73) Assignee: **Allied Brass Mfg. Co., Inc.**, New York, NY (US)

(\*\*) Term: **14 Years**

(21) Appl. No.: **29/116,439**

(22) Filed: **Jan. 4, 2000**

(51) **LOC (7) Cl.** ..... **23-02**

(52) **U.S. Cl.** ..... **D6/524**

(58) **Field of Search** ..... D6/524, 525, 526,  
D6/527, 528, 529, 530, 531, 532, 534,  
535, 536, 540, 542, 545, 546, 549, 550;  
211/13.1, 86.01, 87.01, 88.04, 90.01, 183;  
248/200, 231.91, 251, 254, 304, 309.1

(56) **References Cited**

**U.S. PATENT DOCUMENTS**

- D. 317,692 \* 6/1991 Wang ..... D6/550
- D. 335,231 \* 5/1993 Bengtson ..... D6/524
- D. 405,994 \* 2/1999 Harris ..... D6/524

**OTHER PUBLICATIONS**

Tanic brochure 9003 paper Holder.\*  
 Baldwin Bath Epic Accessories Manhattan Towel Bar p. 11.\*  
 Allied Brass Mfg. Co.: 1990©, "Solid Brass Eurospace 5000-Line"; 1 page brochure.  
 Allied Brass Mfg. Co.: 1992©, Various Bathroom Accessories; 2 sided brochure.  
 Allied Brass Mfg. Co.: 1992©, "Solid Brass New 'Satellite' Series, Comet 500, 600, 700, 400 Venus, Mercury 900 Boutique, Prestige Edition 'Que-New', Prestige Edition 'Regal' Series, 2000 Continental, Wall Table & Floor Boutique, Wall Mirror, New Triple Shelves, Floor Tissue Stands", pp. 1-5, 8, 12, 15, 16.

Allied Brass Mfg. Co.: 1992©, "Solid Brass Regal Line, La Petite, Que New"; pp. 1, 2, 5.  
 Allied Brass Mfg. Co.: 1993©, "Mambo, Tango, Foxtrot & Prestige Lines"; 2 page brochure.  
 Allied Brass Mfg. Co.: 1994©, "Designer Knobs & Pulls"; pp. 1, 2, 4-8.  
 Allied Brass Mfg. Co.: 1995©, "Solid Brass Foxtrot"; 1 page brochure.  
 Donner Bath Furnishings: 1996©, "Residential & Commercial Full Line Catalog"; cover.

\* cited by examiner

*Primary Examiner*—Brian N. Vinson

(74) *Attorney, Agent, or Firm*—Pennie & Edmonds LLP

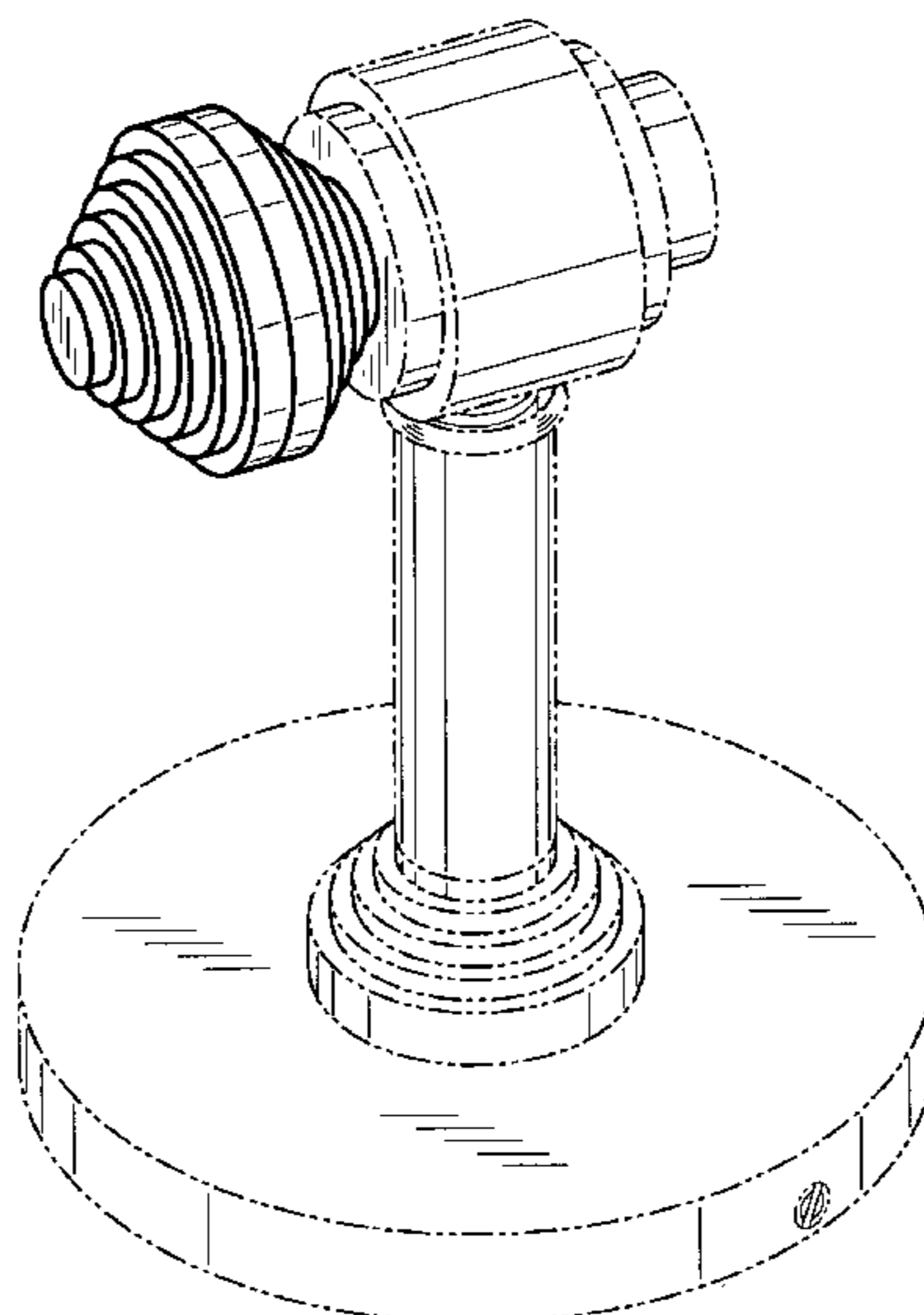
(57) **CLAIM**

The ornamental design for an ornamentation for a fixture, as shown and described.

**DESCRIPTION**

FIG. 1 is a perspective view of a fixture ornamentation according to the present invention, the elements of the fixture being shown in broken lines and thus not forming a part of the claimed design;  
 FIG. 2 is a side elevational view thereof, the right side being a mirror image of the left side;  
 FIG. 3 is a front view thereof;  
 FIG. 4 is a perspective view of a fixture ornamentation according to the present invention and similar to that of FIG. 1, but being shown in an illustrative environment different from the environment of FIG. 1, the environment being shown in broken lines for illustrative purposes and thus not forming a part of the claimed design;  
 FIG. 5 is a side elevational view of the fixture ornamentation of FIG. 4 in an environment different from the environment of FIG. 4, the environment being shown in broken lines for illustrative purposes and thus not forming part of the claimed design; and,  
 FIG. 6 is a front view thereof.

**1 Claim, 5 Drawing Sheets**



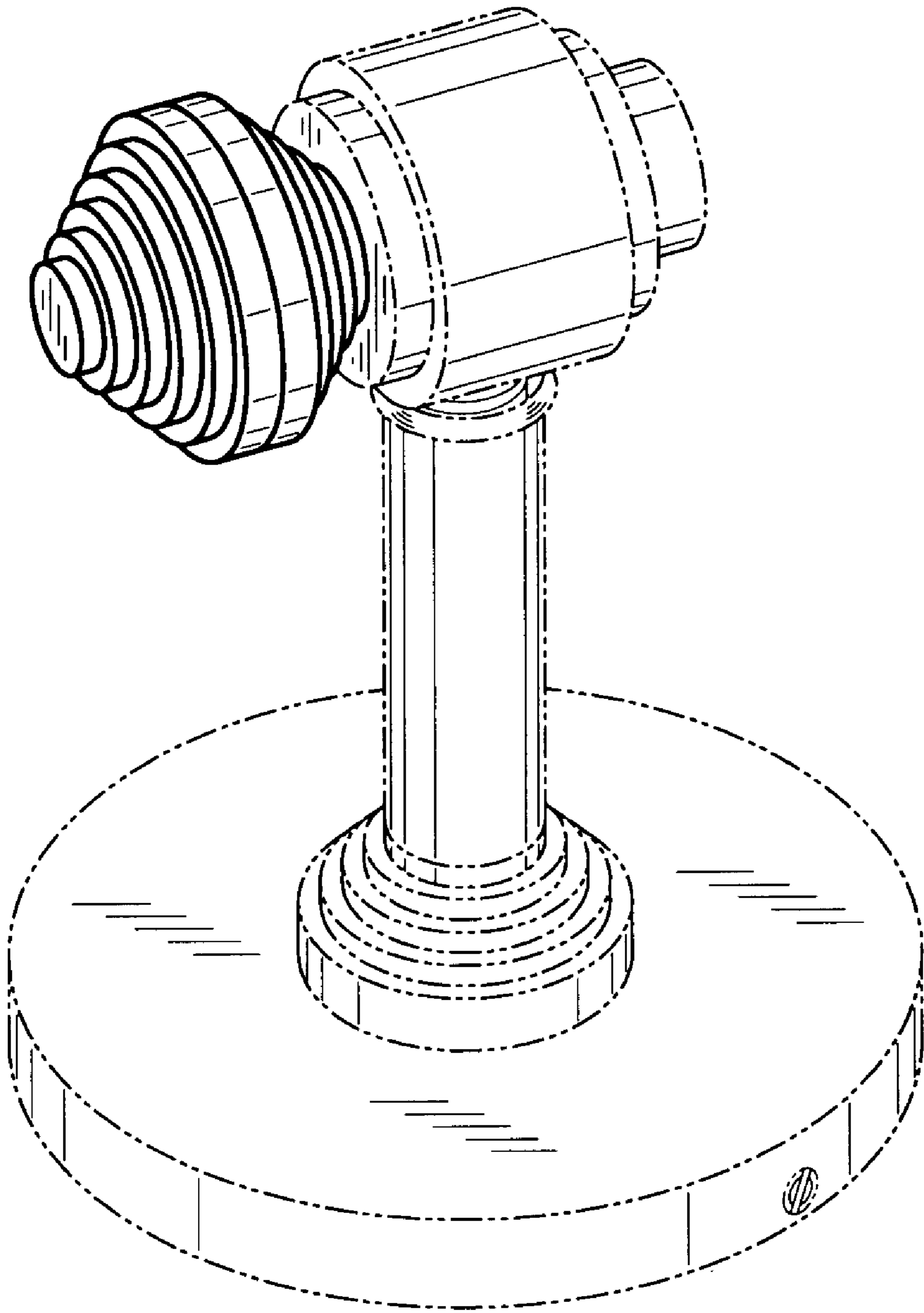


FIG. 1

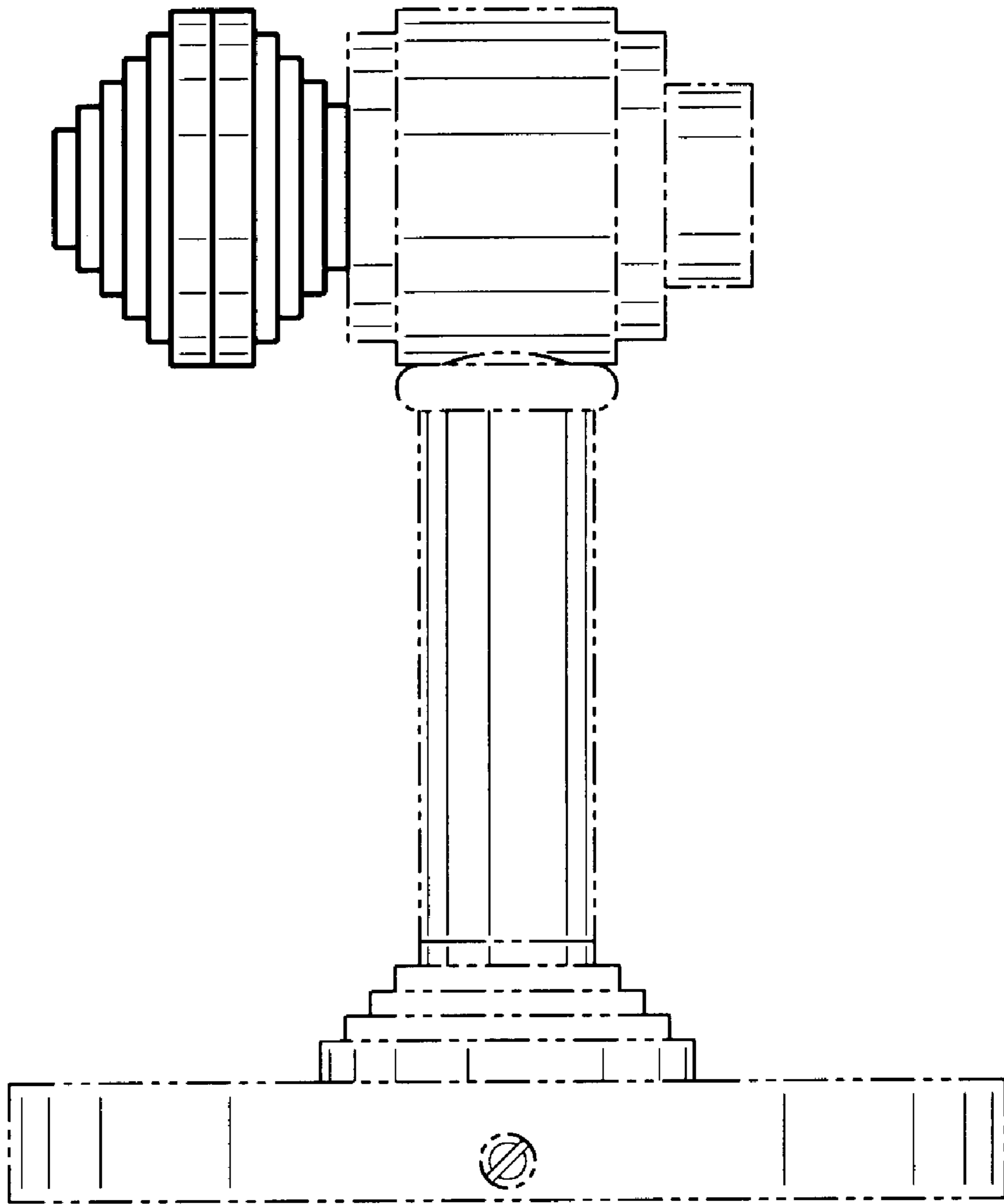


FIG. 2

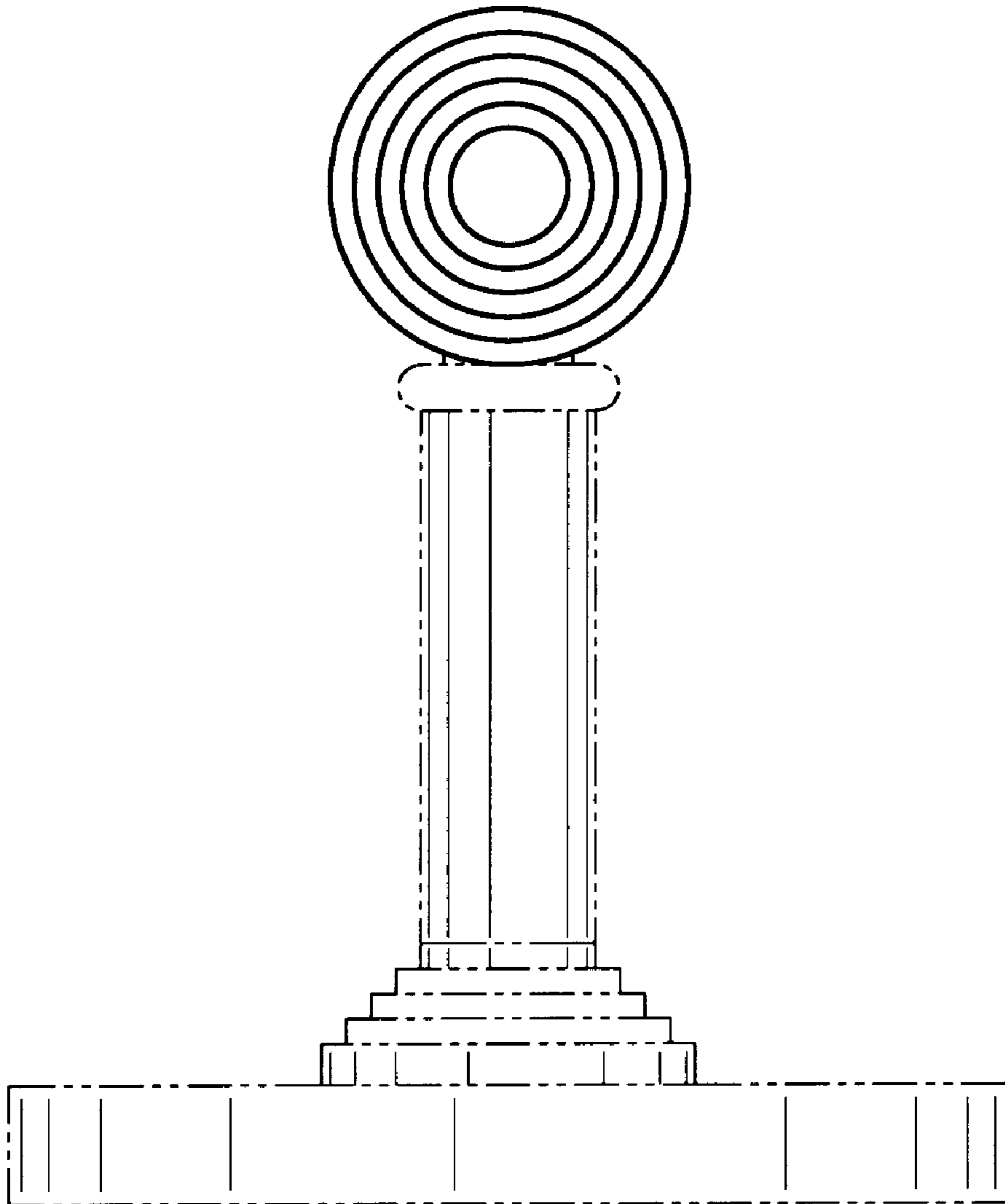


FIG. 3

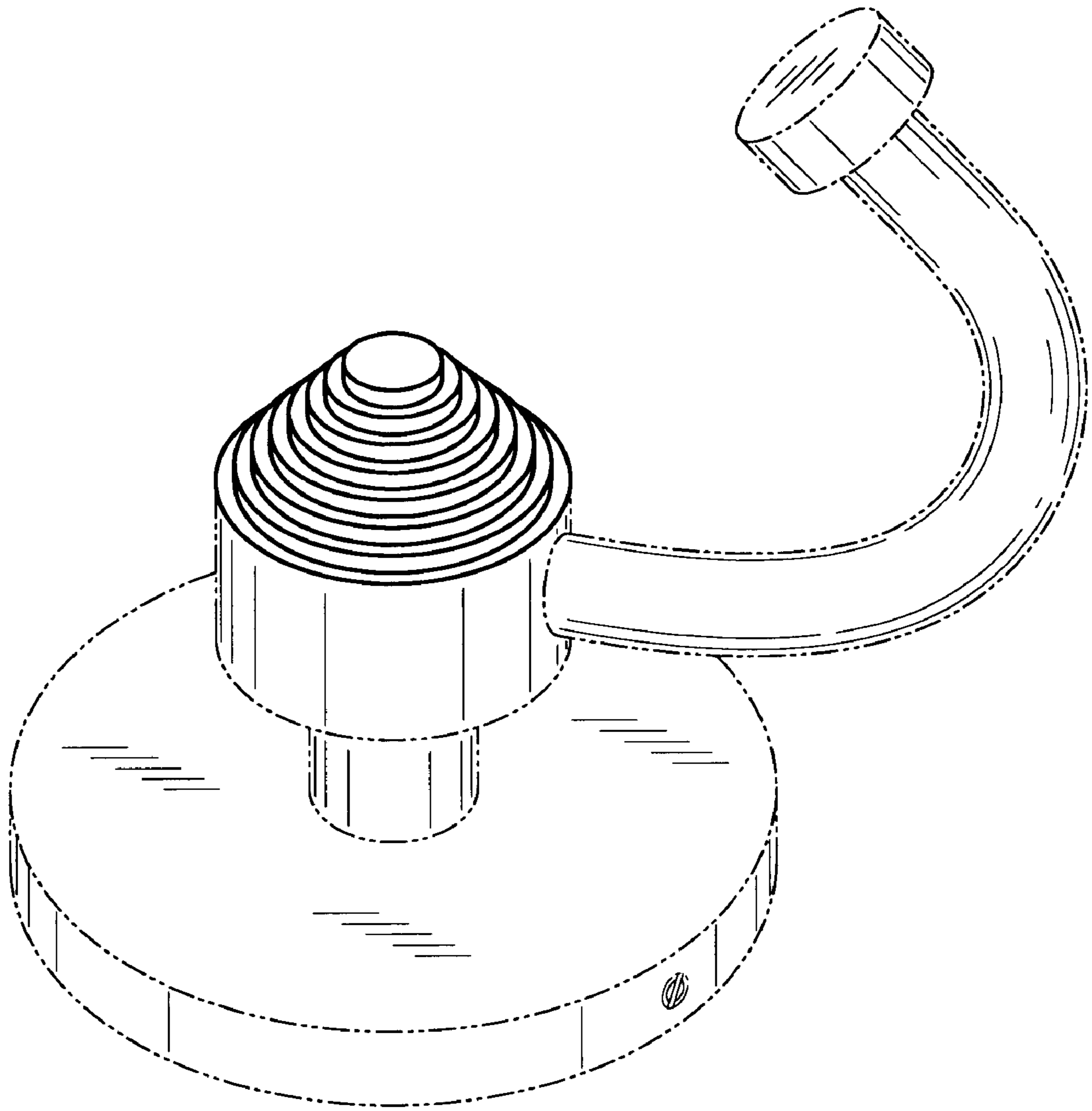


FIG. 4

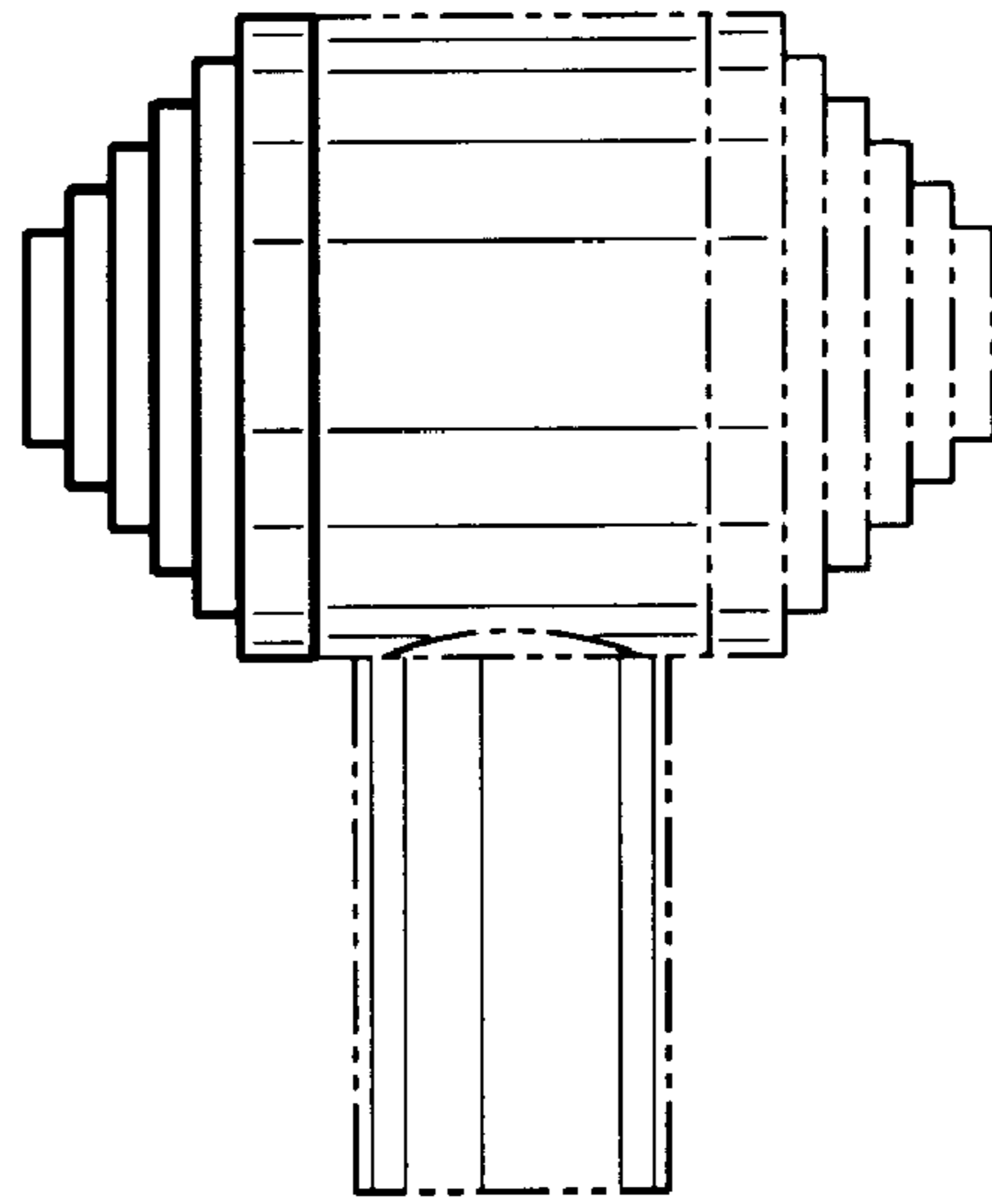


FIG. 5

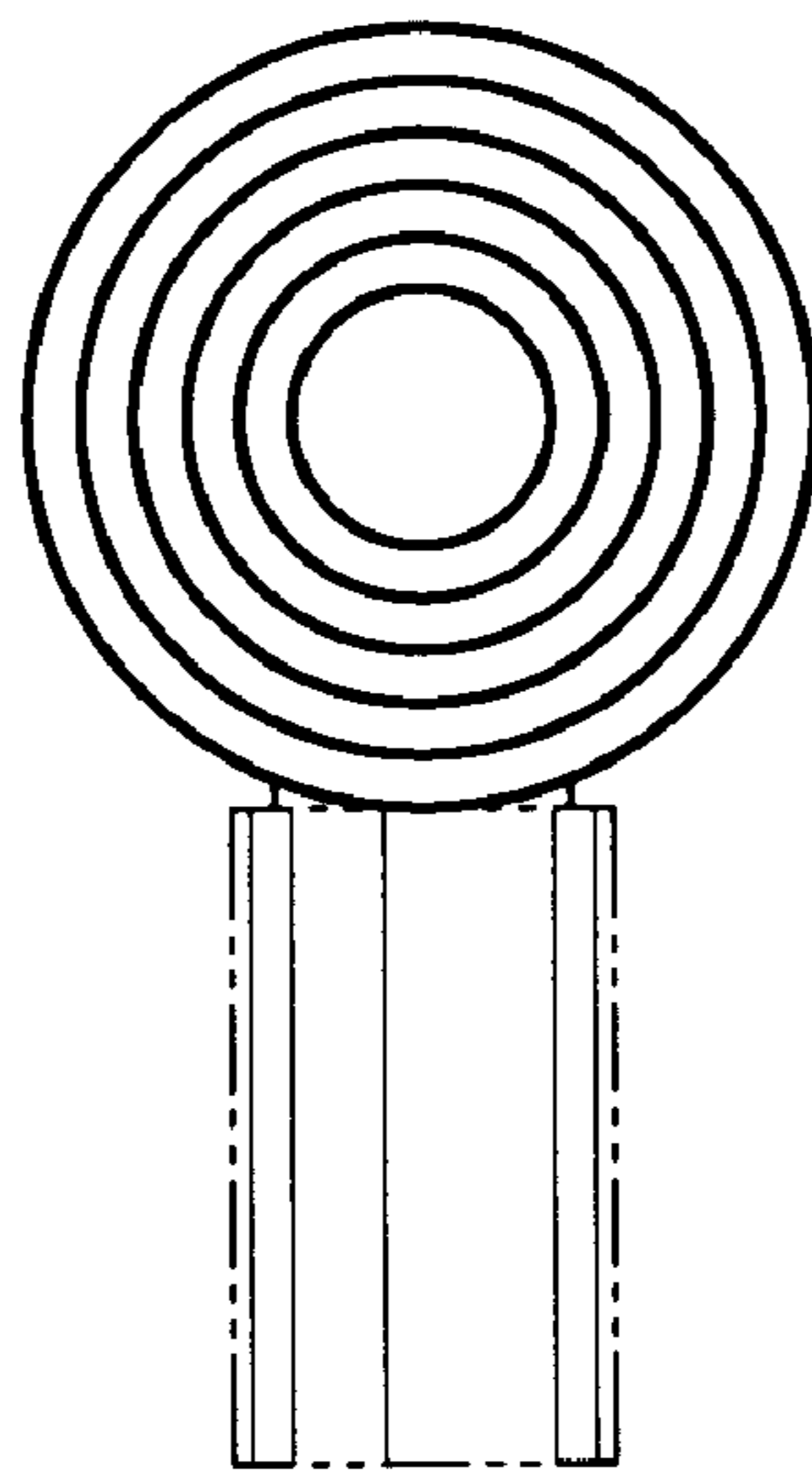


FIG. 6