



US00D439086S

(12) **United States Design Patent**
Milrud et al.

(10) **Patent No.:** **US D439,086 S**

(45) **Date of Patent:** **** Mar. 20, 2001**

(54) **PAPER HOLDER**

(75) Inventors: **Eduardo Milrud**, Chagrin Falls; **Daniel C. Buchner**, Amherst; **Shannon E. Mason**, Avon Lake, all of OH (US)

(73) Assignee: **Moen Incorporated**, North Olmsted, OH (US)

(**) Term: **14 Years**

(21) Appl. No.: **29/118,876**

(22) Filed: **Feb. 18, 2000**

(51) **LOC (7) Cl.** **23-02**

(52) **U.S. Cl.** **D6/523**

(58) **Field of Search** D6/546-550, 522, D6/523; 242/590, 596, 597-598; 211/13.1, 32, 35, 87.01, 88.04, 105.1, 105.2, 106, 123, 181.1, 182; 248/49, 214, 251, 302

(56) **References Cited**

U.S. PATENT DOCUMENTS

- D. 59,765 11/1921 Michaels .
- D. 155,897 11/1949 Huntington .
- D. 304,402 * 11/1989 Hoose D6/523

- D. 308,781 6/1990 Mintz .
- D. 383,343 * 9/1997 Goodman D6/522
- D. 383,630 * 9/1997 Goodman D6/523
- D. 409,423 * 5/1999 Malik D6/518
- 3,067,963 12/1962 Suggs .
- 3,227,386 * 1/1966 Pitcher D6/550 X
- 4,836,462 * 6/1989 Bruss D6/523 X

* cited by examiner

Primary Examiner—Brian N. Vinson

(74) *Attorney, Agent, or Firm*—Cook, Alex, McFarron, Manzo, Cummings & Mehler, Ltd.

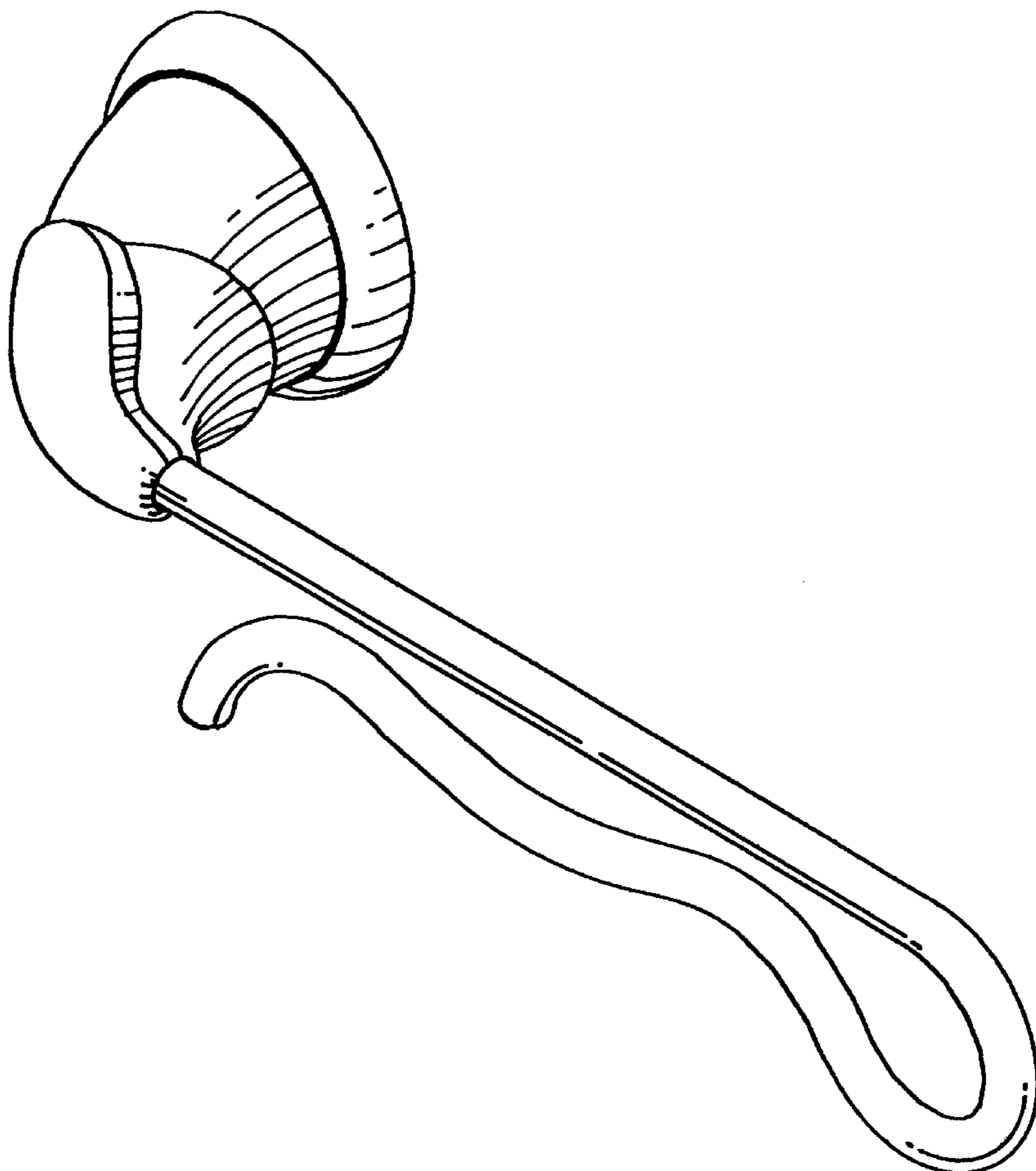
(57) **CLAIM**

The ornamental design for a paper holder, as shown and described.

DESCRIPTION

FIG. 1 is a rear view of our new design for a paper holder; FIG. 2 is a front view thereof; FIG. 3 is a top view thereof; FIG. 4 is a left side view thereof; FIG. 5 is a right side view thereof; FIG. 6 is a bottom view thereof; and, FIG. 7 is a perspective view thereof.

1 Claim, 3 Drawing Sheets



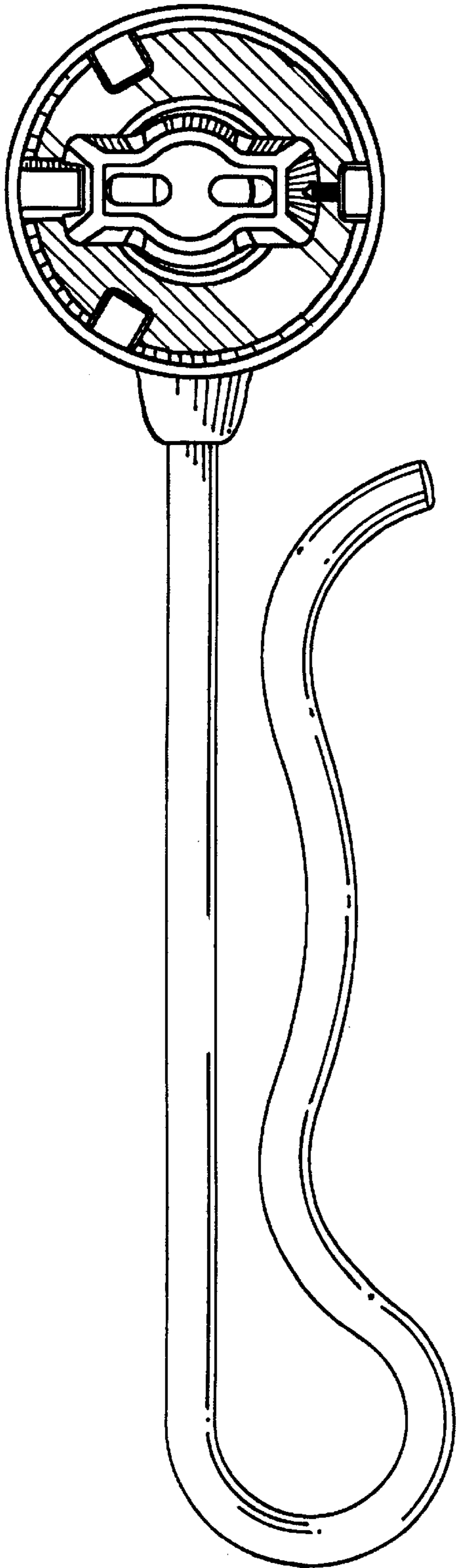


Fig. 1

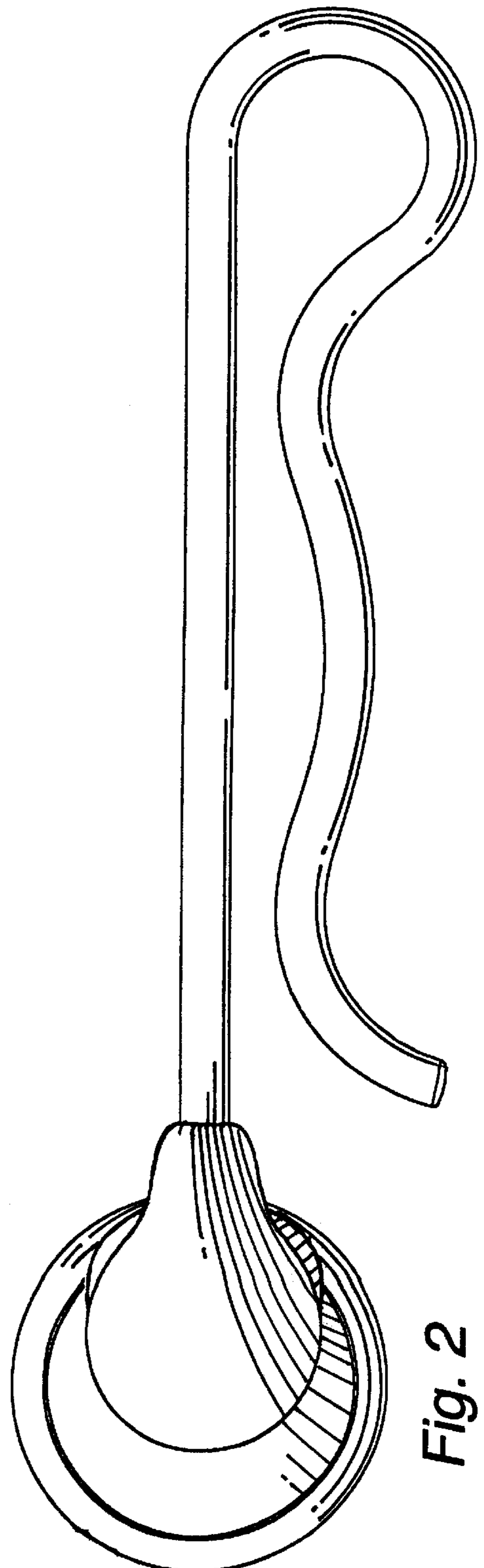
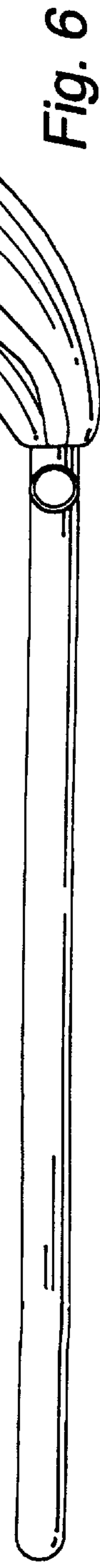
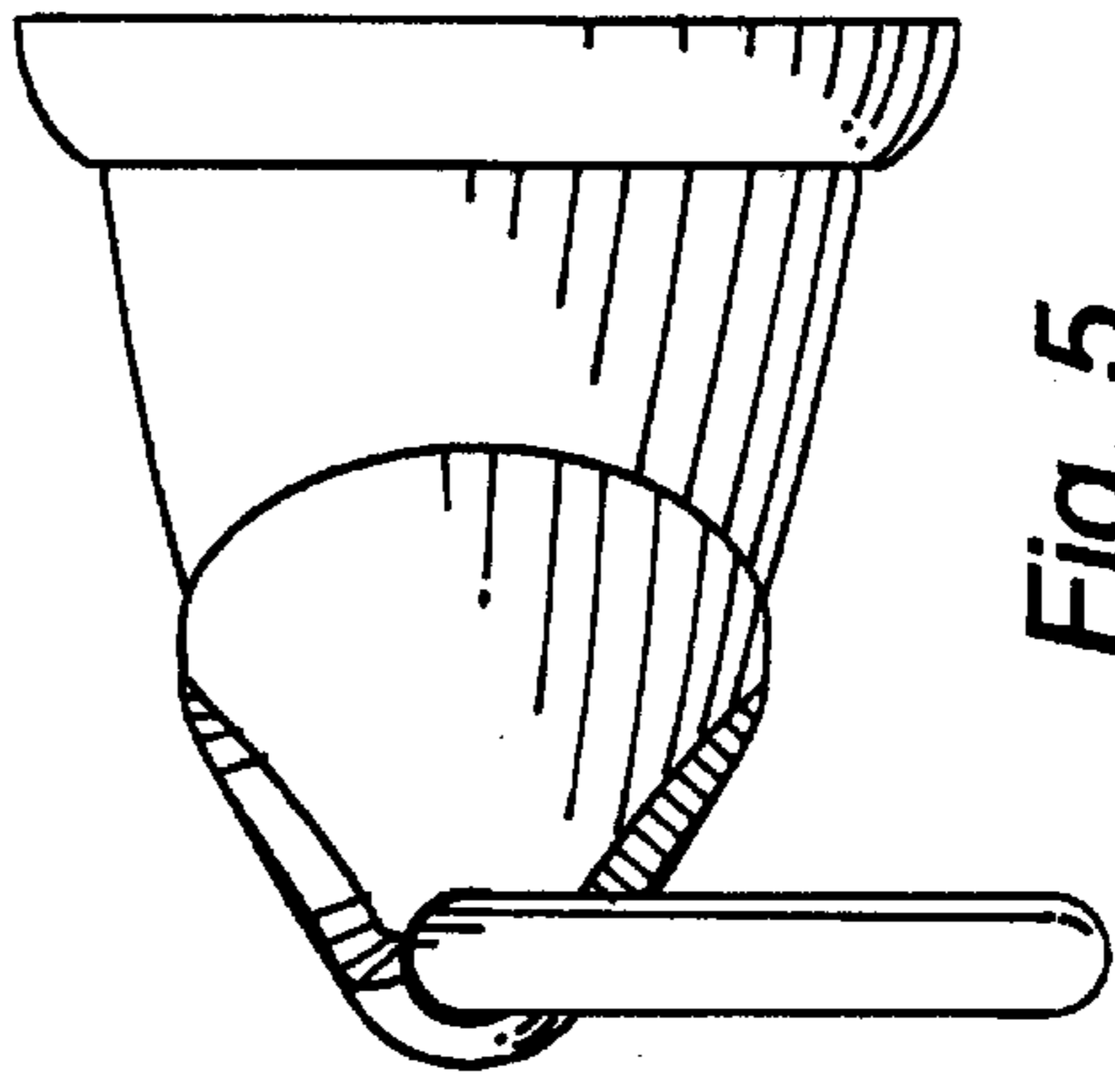
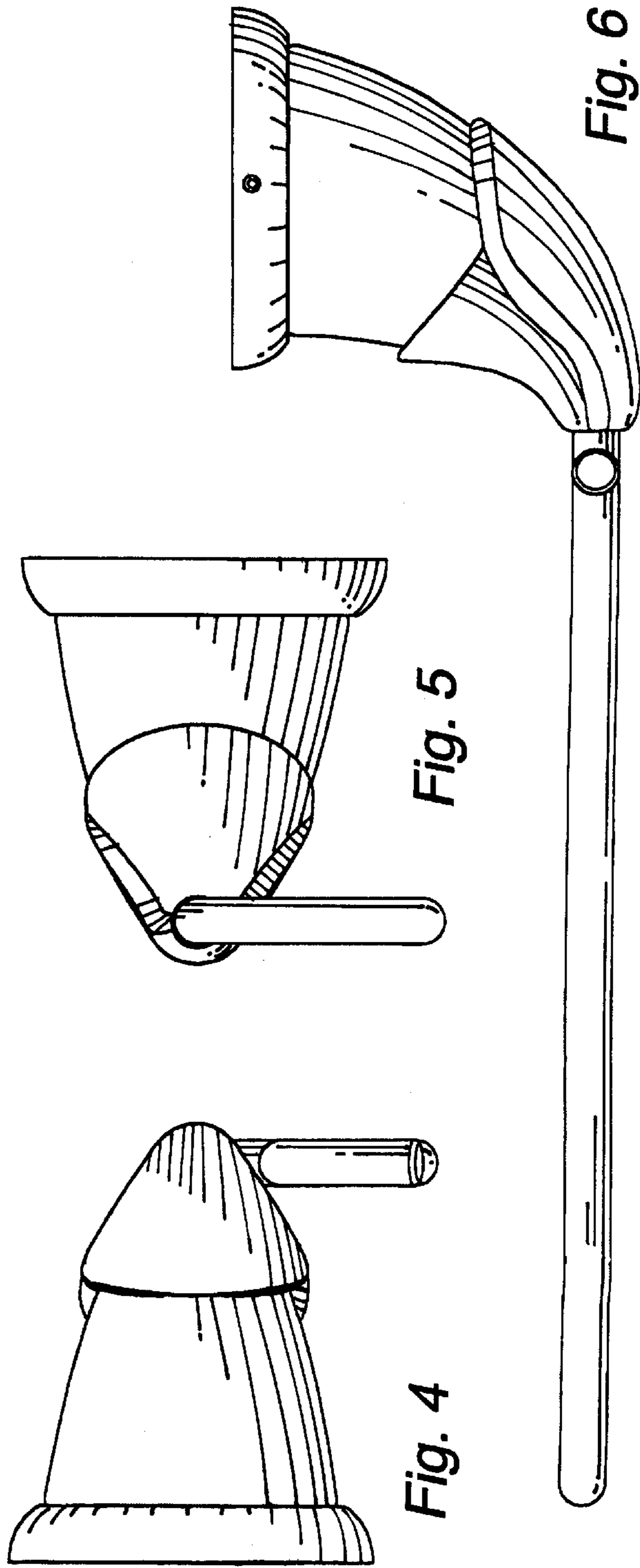
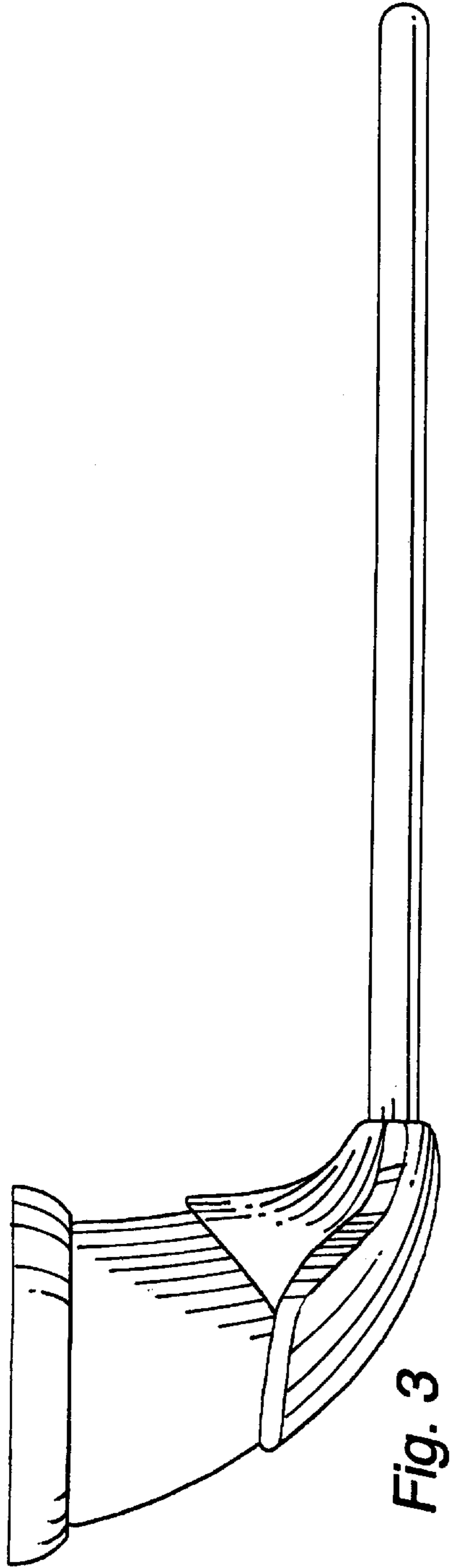


Fig. 2



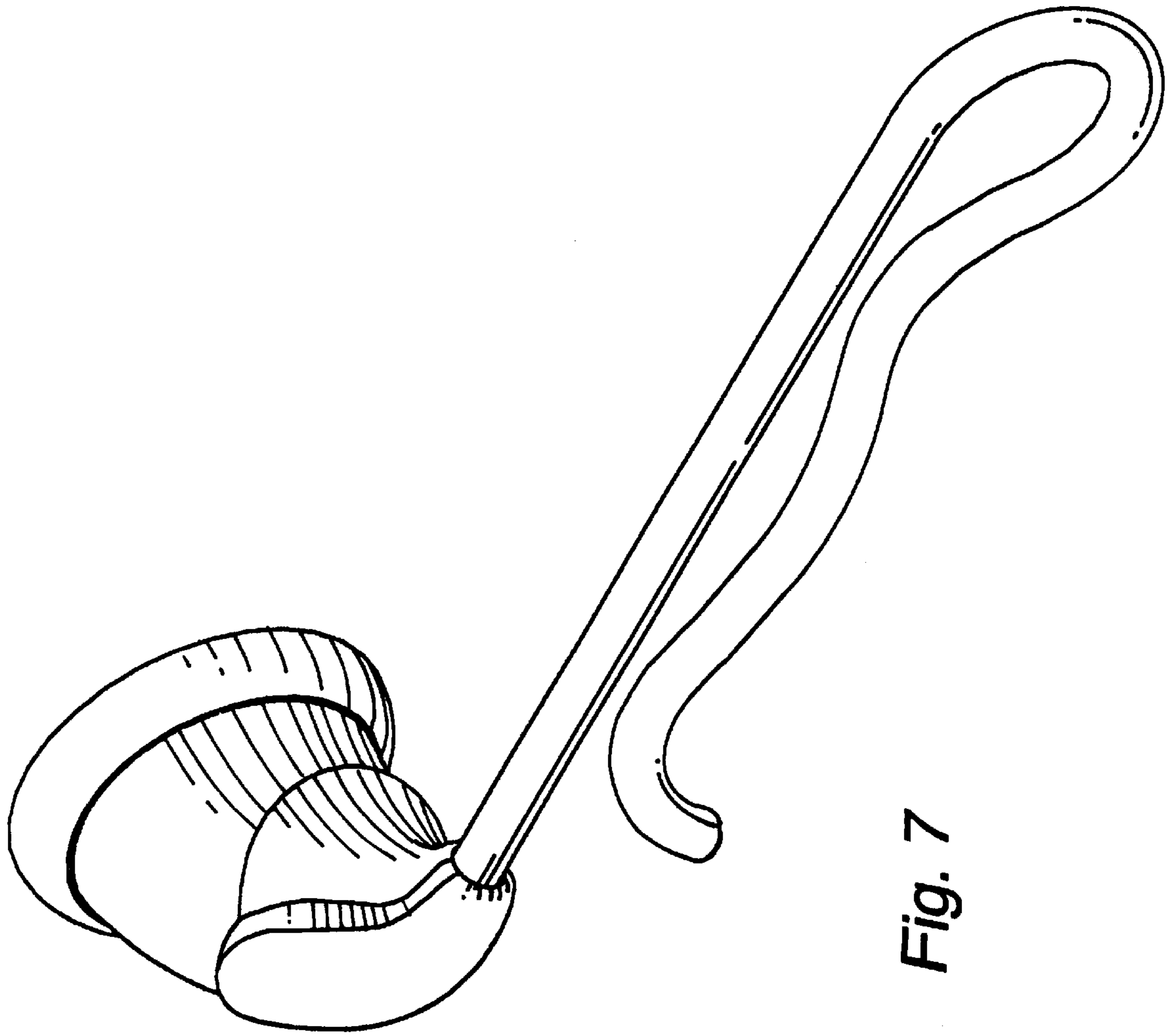


Fig. 7