



US00D439083S

(12) **United States Design Patent**
Tseng

(10) **Patent No.:** **US D439,083 S**

(45) **Date of Patent:** **** Mar. 20, 2001**

(54) **CHAIR ARMREST**

(75) **Inventor:** **Wen-Hung Tseng**, P.O. Box 63-247,
Taichung (TW)

(73) **Assignees:** **Wen-Hung Tseng**, Kaoshiung; **OCM International Inc.**, Taipei, both of (TW)

(**) **Term:** **14 Years**

(21) **Appl. No.:** **29/129,272**

(22) **Filed:** **Sep. 11, 2000**

(51) **LOC (7) Cl.** **06-06**

(52) **U.S. Cl.** **D6/501; D6/366**

(58) **Field of Search** D6/334, 364, 365,
D6/366, 367, 379, 500, 501, 502; 297/411.2,
411.27, 411.28

(56) **References Cited**

U.S. PATENT DOCUMENTS

- D. 382,738 * 8/1997 Chen D6/501
- D. 383,021 * 9/1997 Lu D6/500
- D. 403,185 * 12/1998 Tseng D6/501

- D. 408,182 * 4/1999 Tseng D6/501
- D. 408,641 * 4/1999 Tseng D6/366
- D. 417,106 * 11/1999 Lee D6/501
- D. 424,845 * 5/2000 Grove D6/501

* cited by examiner

Primary Examiner—Gary D. Watson

(74) *Attorney, Agent, or Firm*—Alan Kamrath; Rider Bennett Egan & Arundel, LLP.

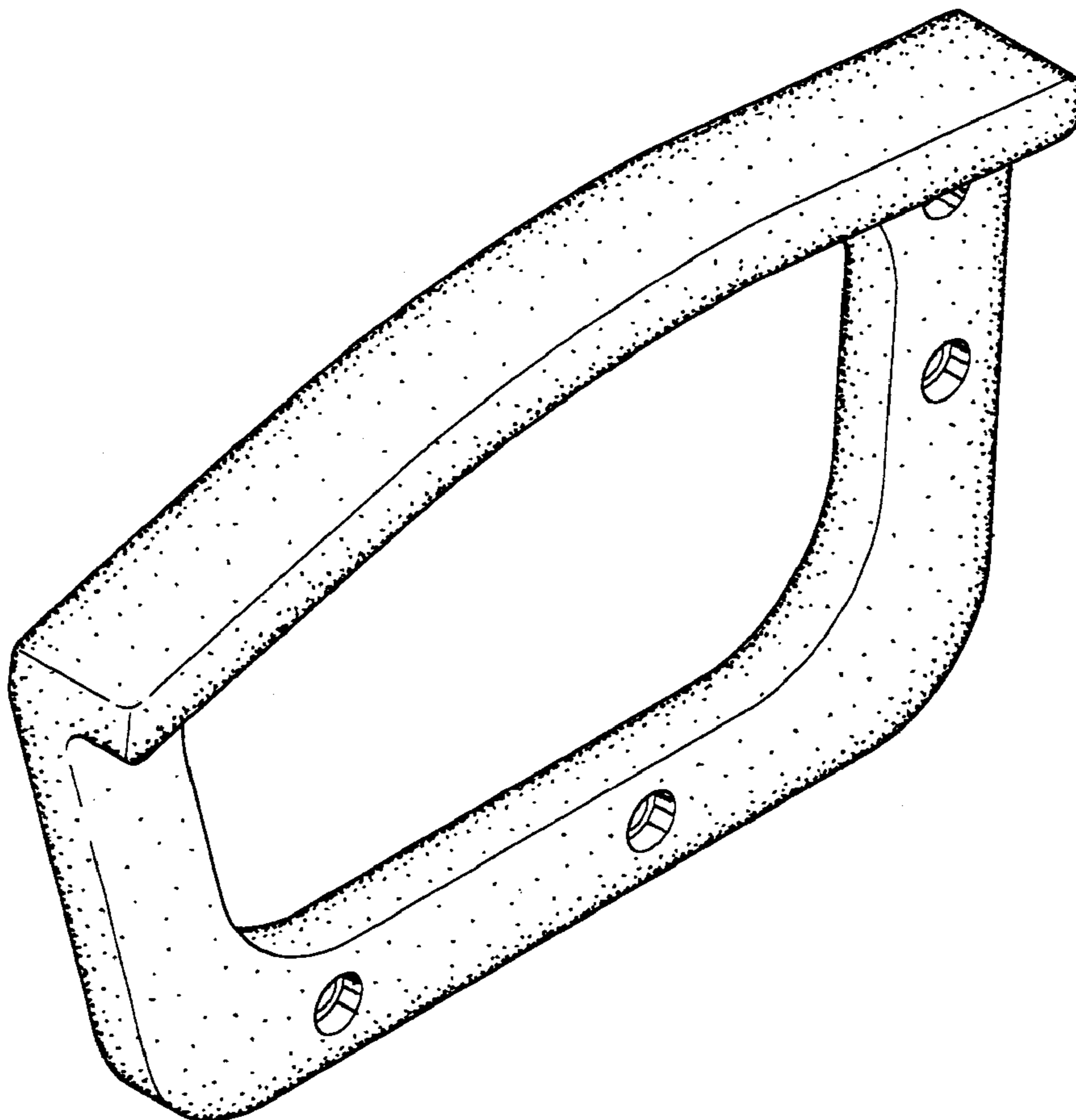
(57) **CLAIM**

The ornamental design for chair armrest, as shown and described.

DESCRIPTION

FIG. 1 is a perspective view of a chair armrest showing my new design;
FIG. 2 is a front elevational view thereof;
FIG. 3 is a rear elevational view thereof;
FIG. 4 is a left elevational view thereof;
FIG. 5 is a right elevational view thereof;
FIG. 6 is a top plan view thereof; and,
FIG. 7 is bottom plan view thereof.

1 Claim, 4 Drawing Sheets



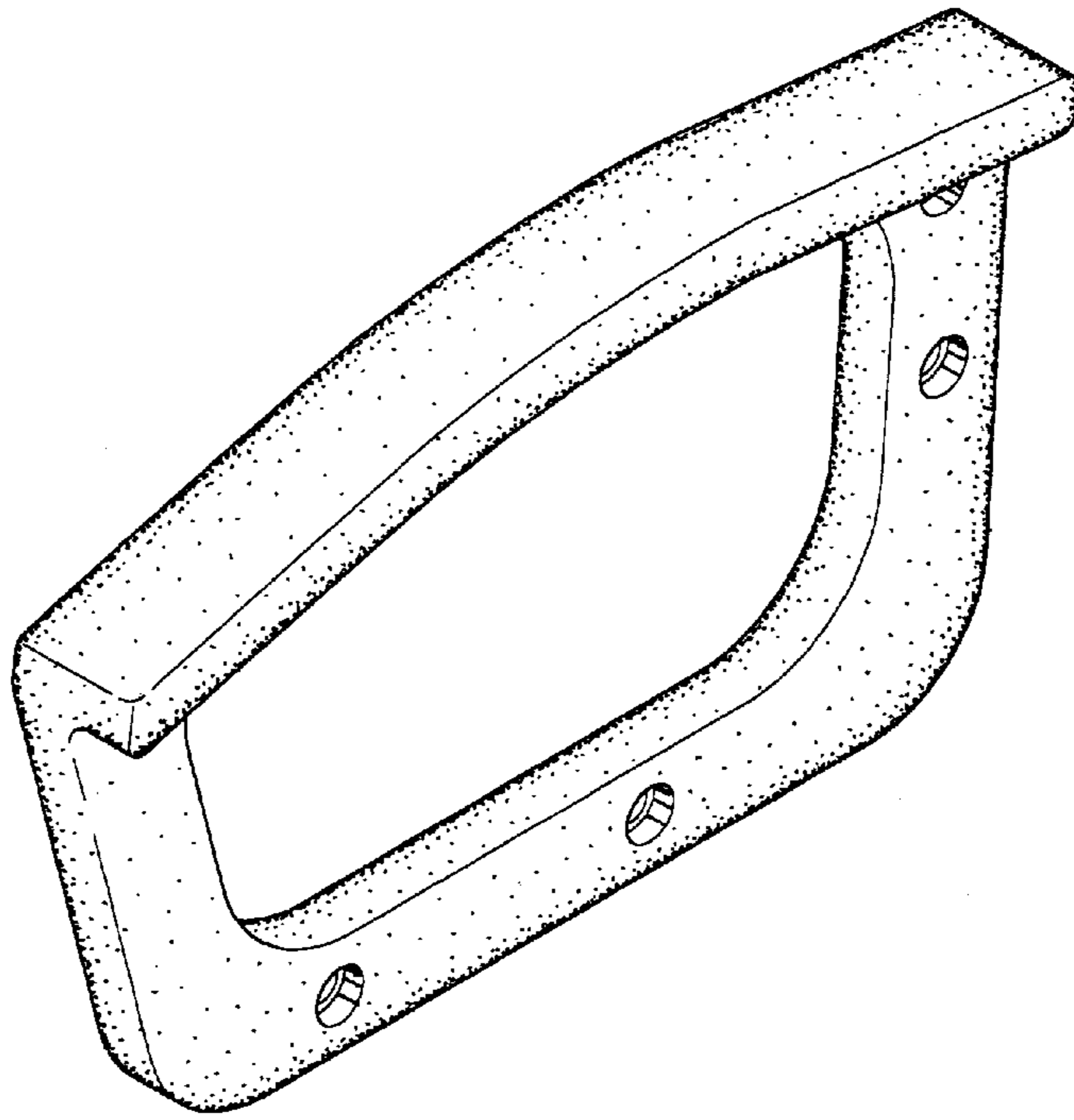


Fig. 1

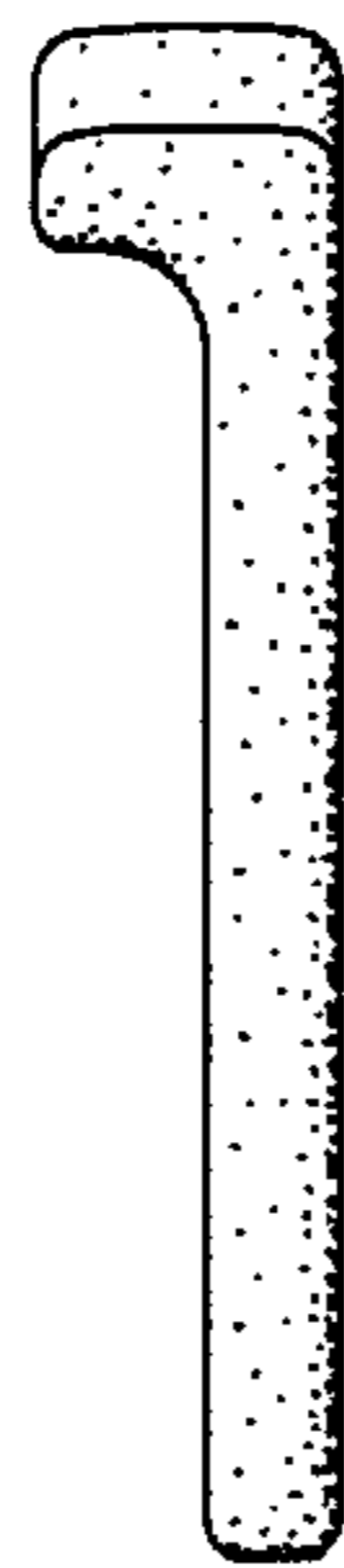


Fig. 5

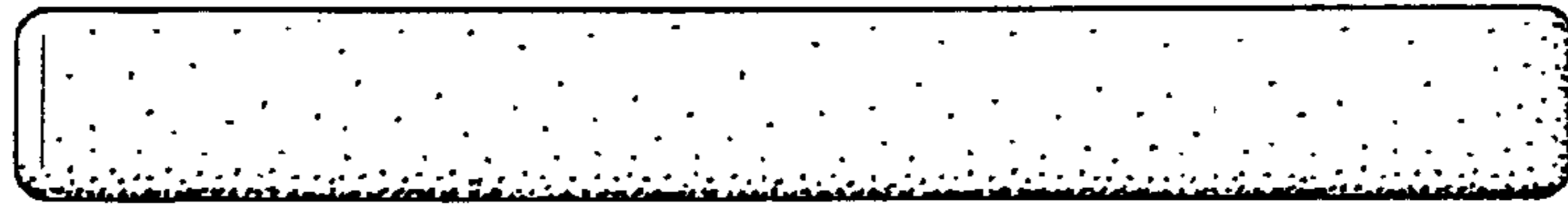


Fig. 6

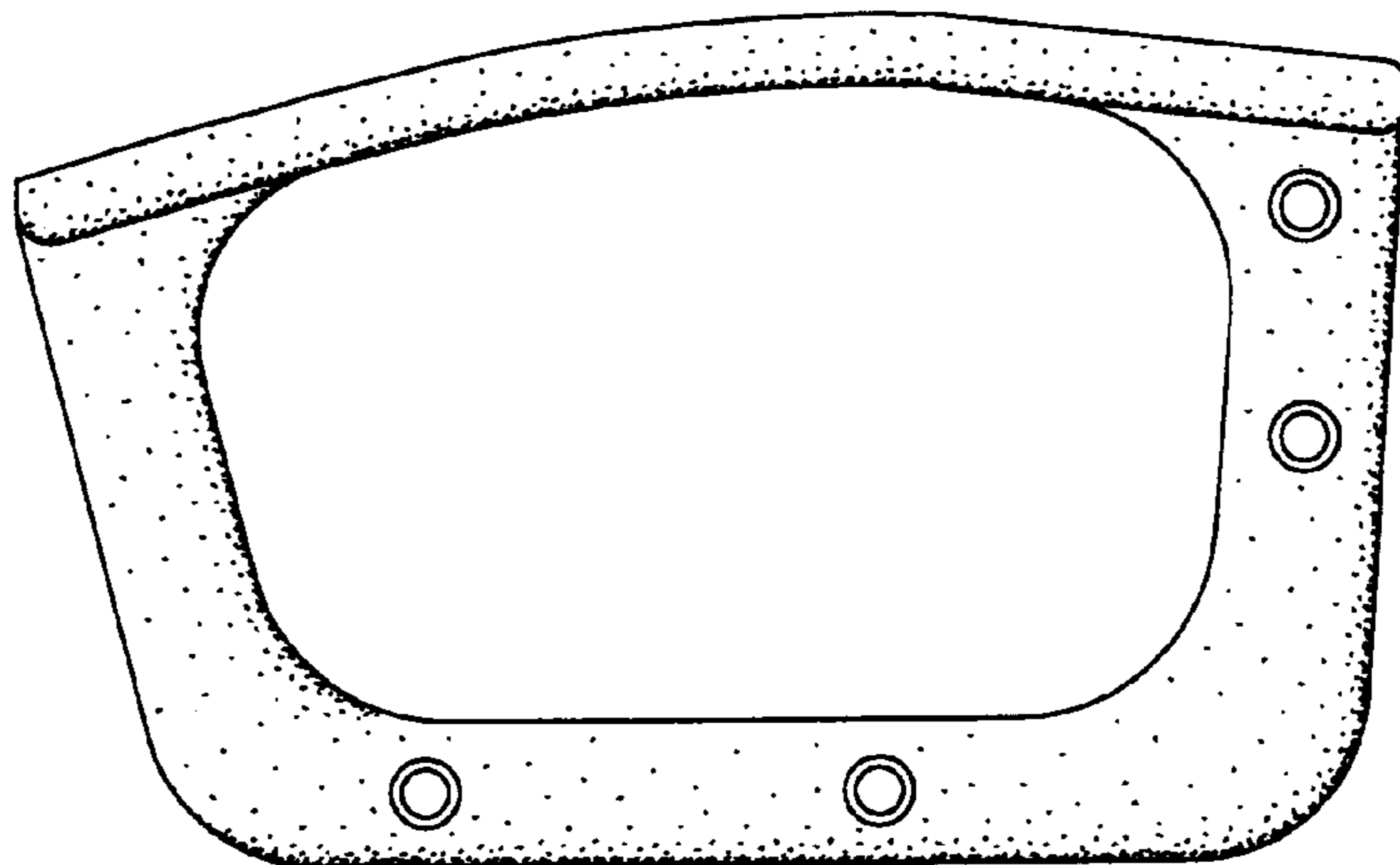


Fig. 2

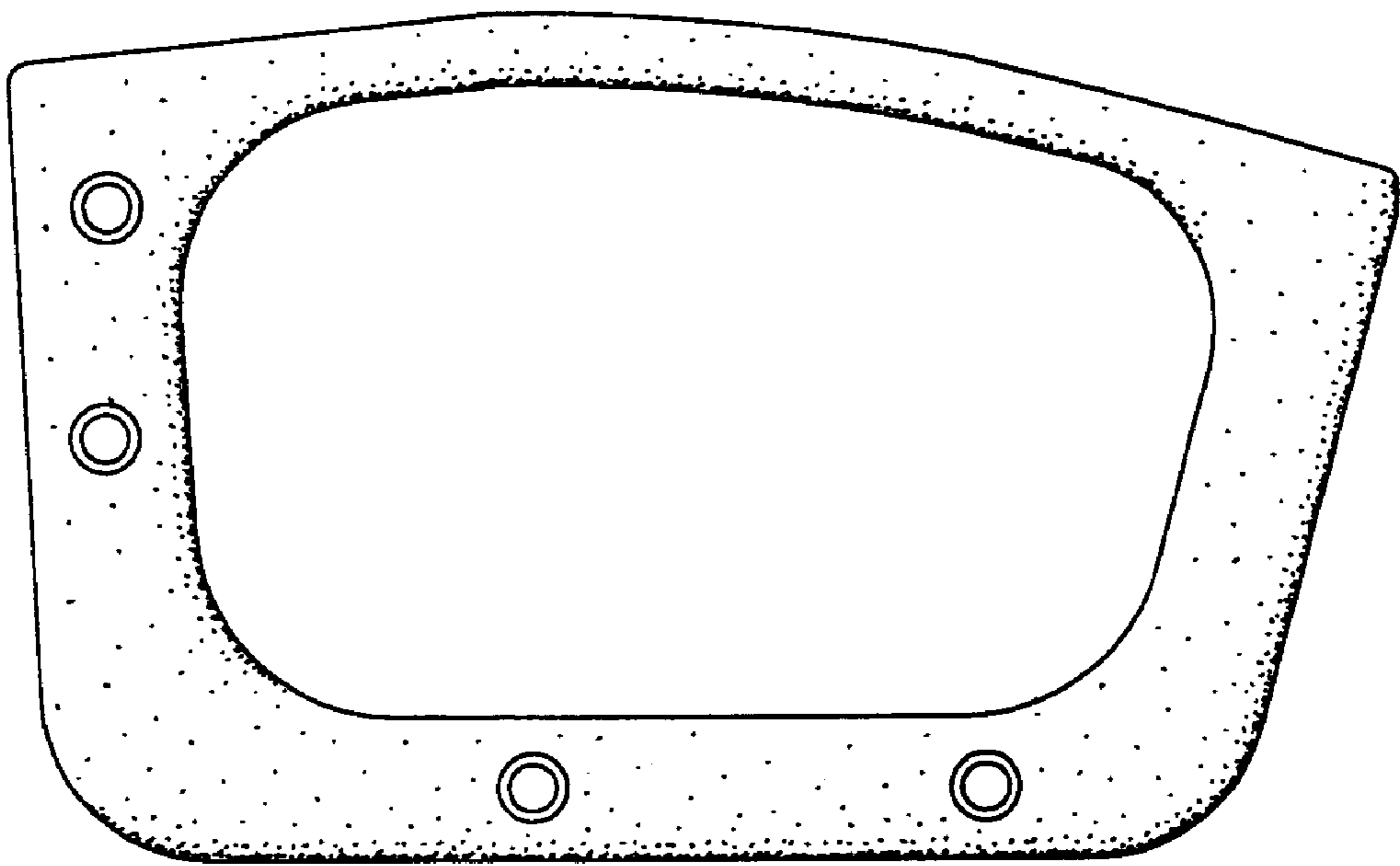


Fig. 3



Fig. 7

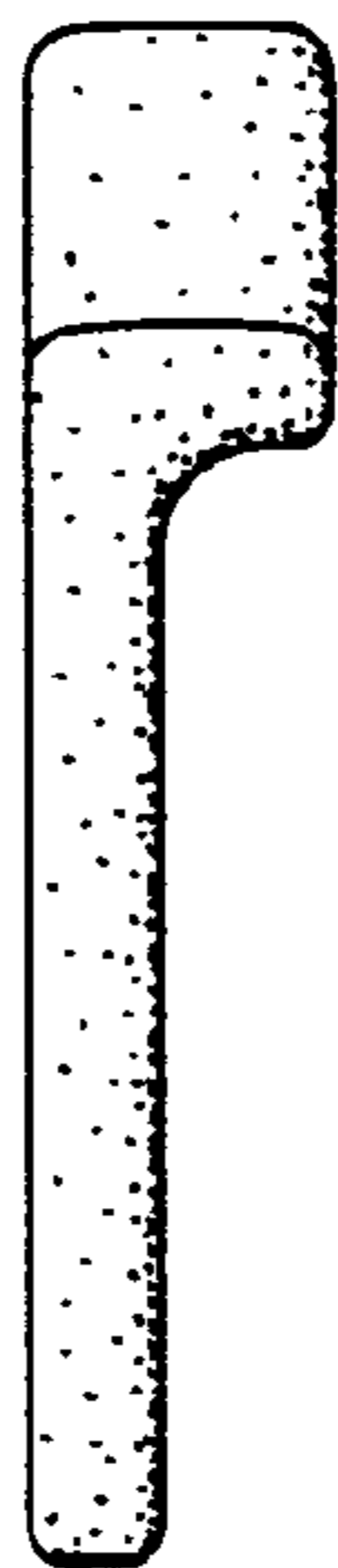


Fig. 4