



US00D439082S

(12) **United States Design Patent**
Su

(10) **Patent No.:** **US D439,082 S**

(45) **Date of Patent:** **** Mar. 20, 2001**

(54) **ARMREST**

(76) **Inventor:** **Tung-Hua Su**, No. 16, Alley 23, Lane 900, Min Sheng St., Kuei Jen, Tainan Hsien (TW)

(**) **Term:** **14 Years**

(21) **Appl. No.:** **29/129,183**

(22) **Filed:** **Sep. 11, 2000**

(51) **LOC (7) Cl.** **06-06**

(52) **U.S. Cl.** **D6/501; D6/366**

(58) **Field of Search** D6/334, 364, 365, D6/366, 367, 379, 500, 501, 502; 297/411.2, 411.27, 411.28

(56) **References Cited**

U.S. PATENT DOCUMENTS

- D. 366,792 * 2/1996 McDiarmid D6/501
- D. 403,185 * 12/1998 Tseng D6/501
- D. 408,182 * 4/1999 Tseng D6/501
- D. 408,641 * 4/1999 Tseng D6/366

- D. 410,159 * 5/1999 Wu D6/501
- D. 417,106 * 11/1999 Lee D6/501
- D. 424,847 * 5/2000 Lin D6/501
- D. 426,408 * 6/2000 Su D6/501

* cited by examiner

Primary Examiner—Gary D. Watson

(74) *Attorney, Agent, or Firm*—Charles E. Baxley

(57) **CLAIM**

The ornamental design for an armrest, as shown.

DESCRIPTION

FIG. 1 is a perspective view of armrest showing my new design;

FIG. 2 is a front elevation view thereof;

FIG. 3 is a rear elevation view thereof;

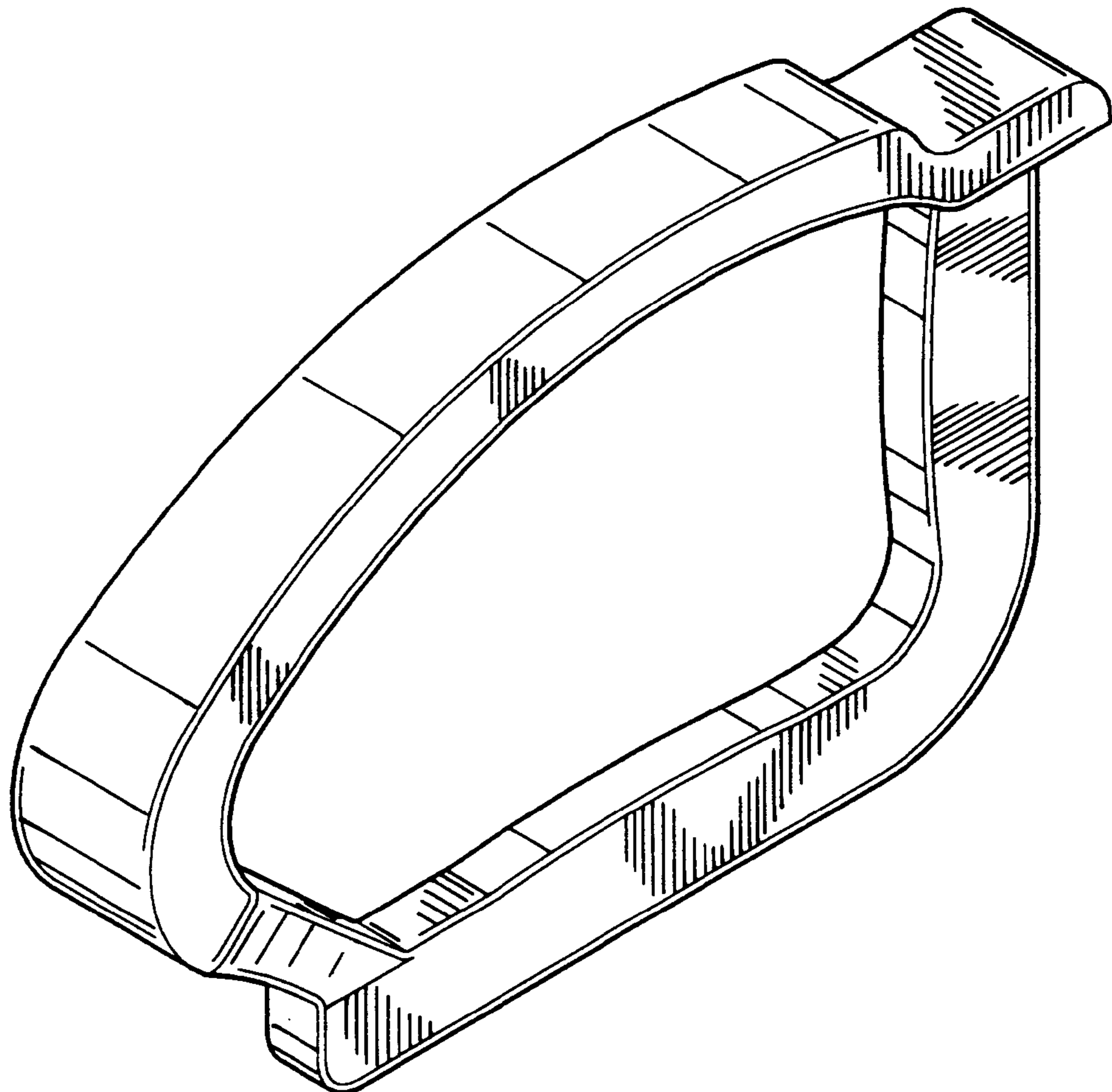
FIG. 4 is a left side elevation view thereof;

FIG. 5 is a right side elevation view thereof;

FIG. 6 is a top plan view thereof; and,

FIG. 7 is a bottom plan view thereof.

1 Claim, 4 Drawing Sheets



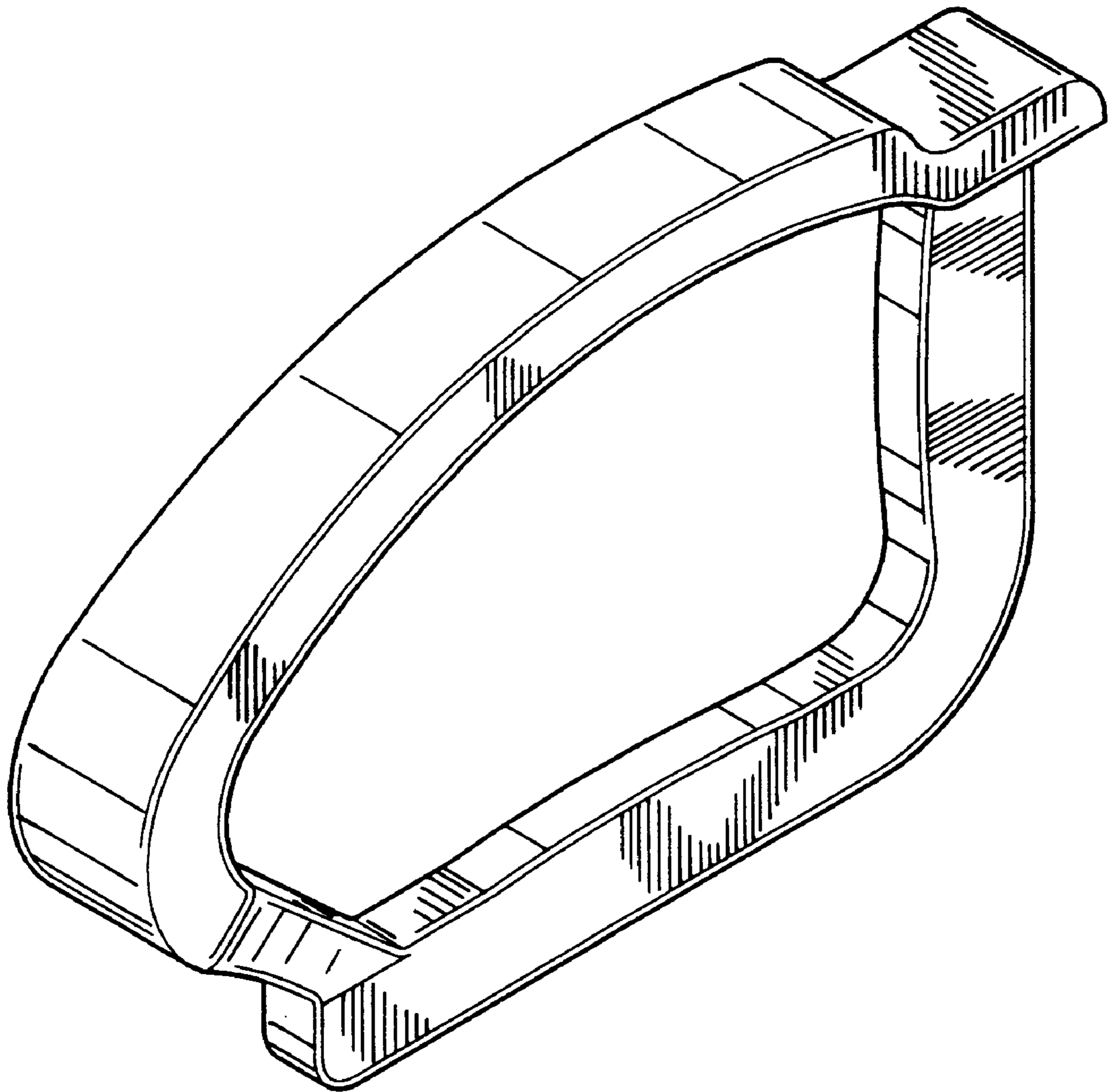


FIG. 1

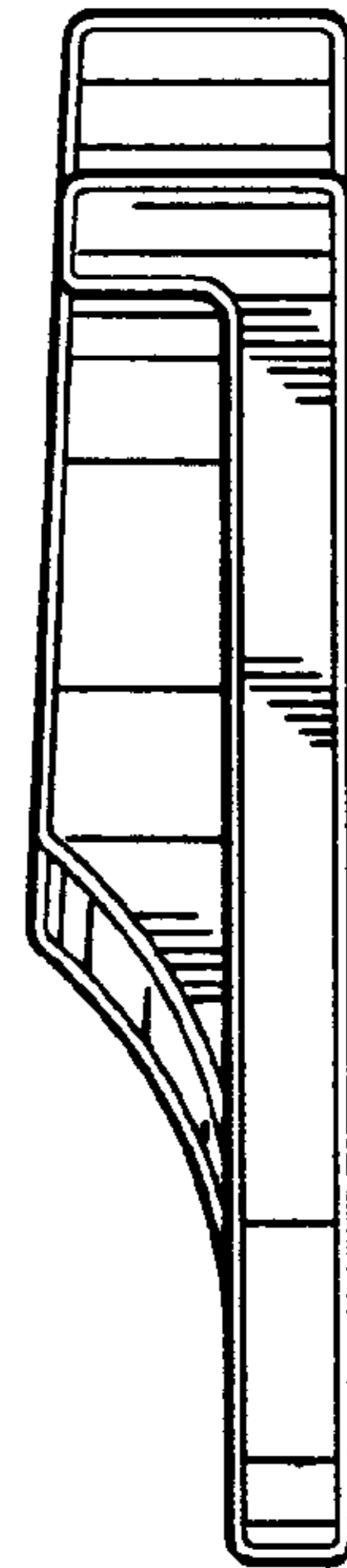
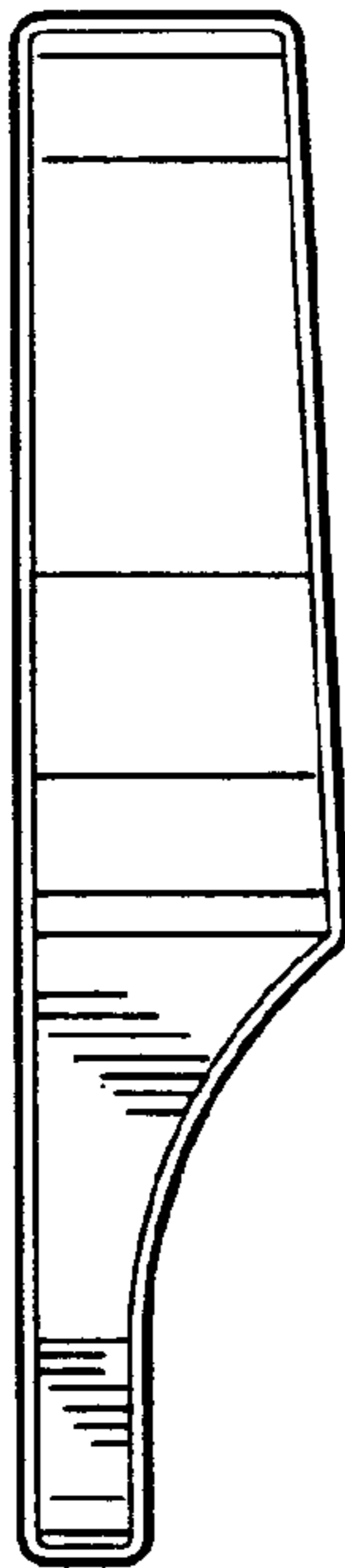


FIG. 2

FIG. 3

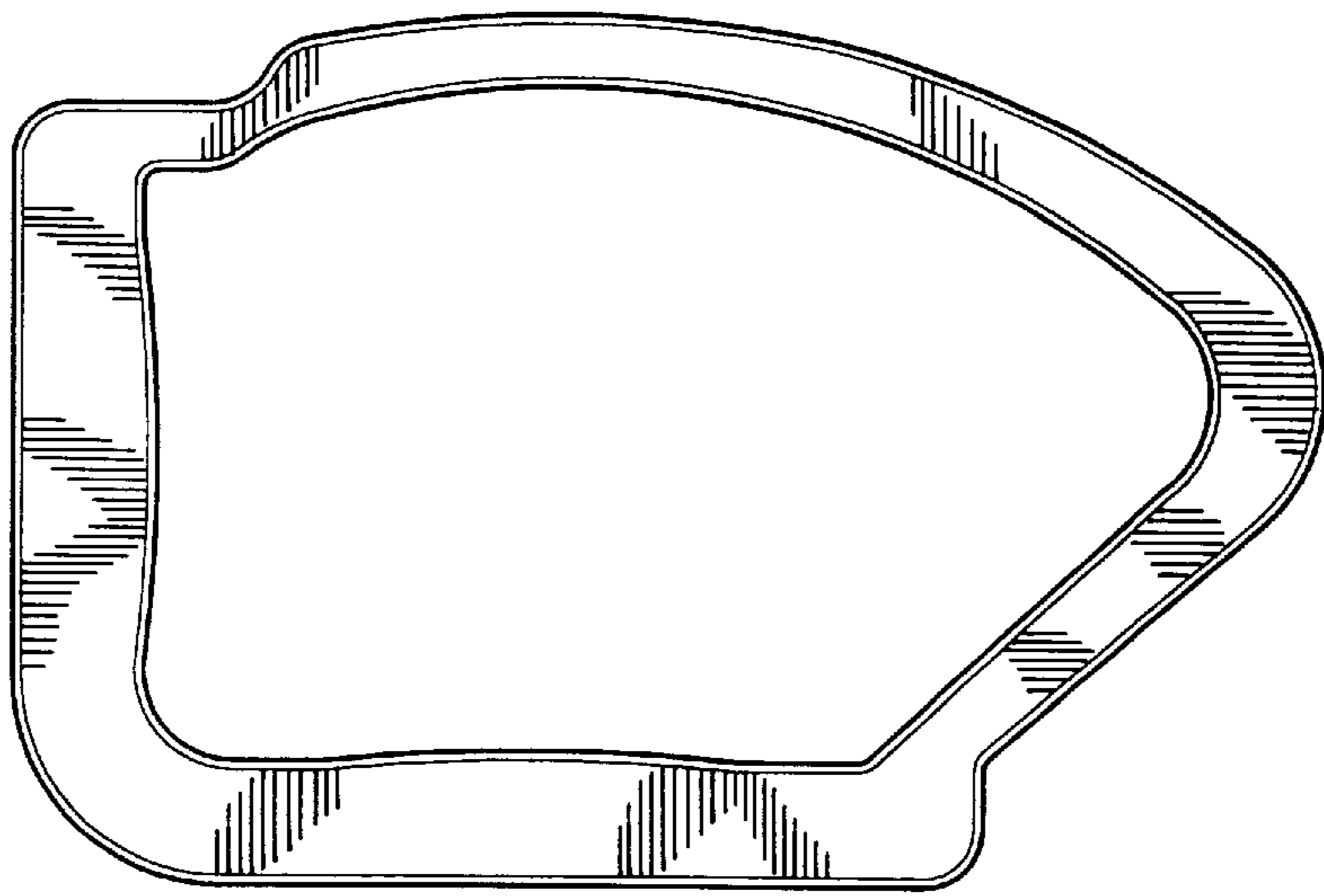


FIG. 4

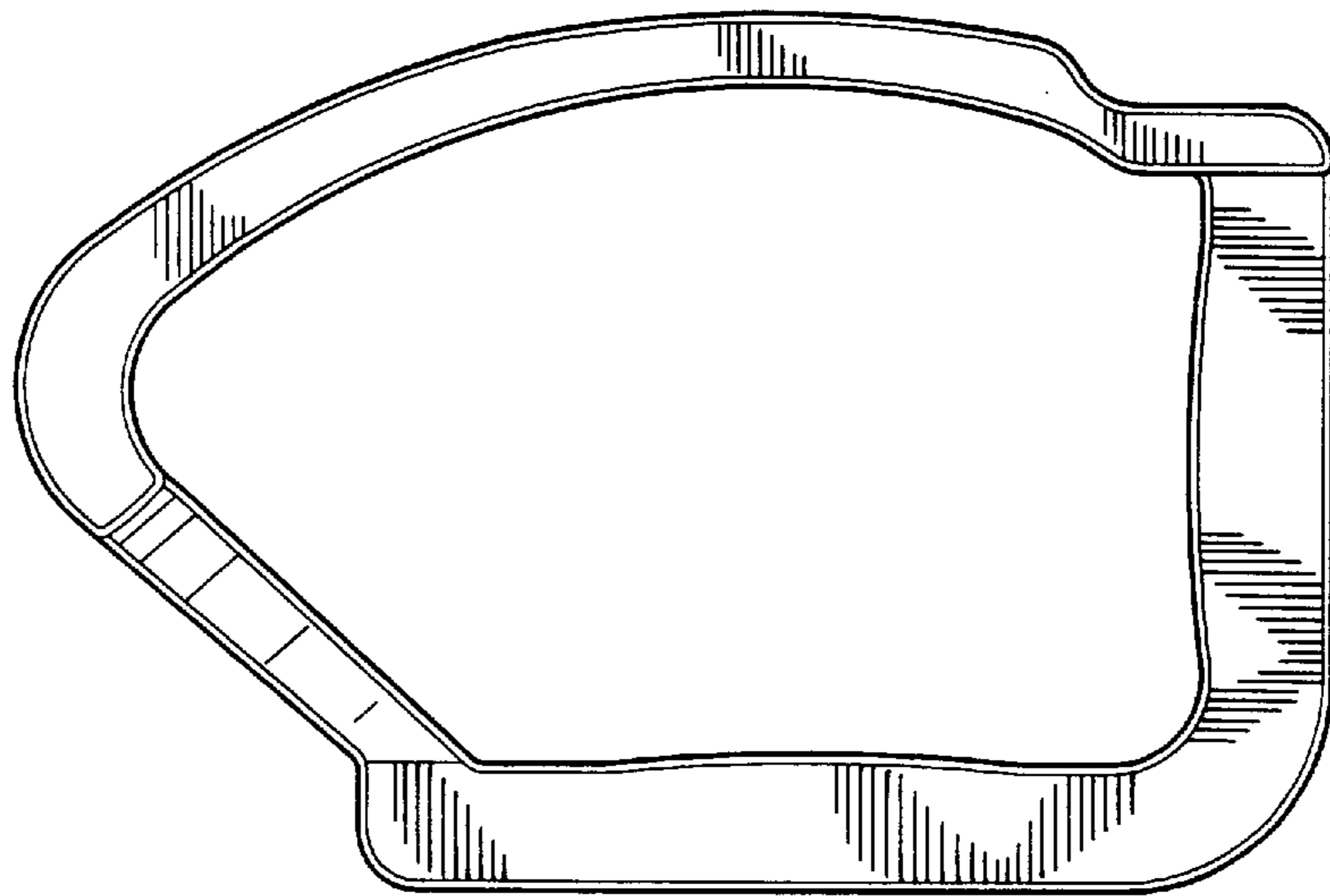


FIG. 5

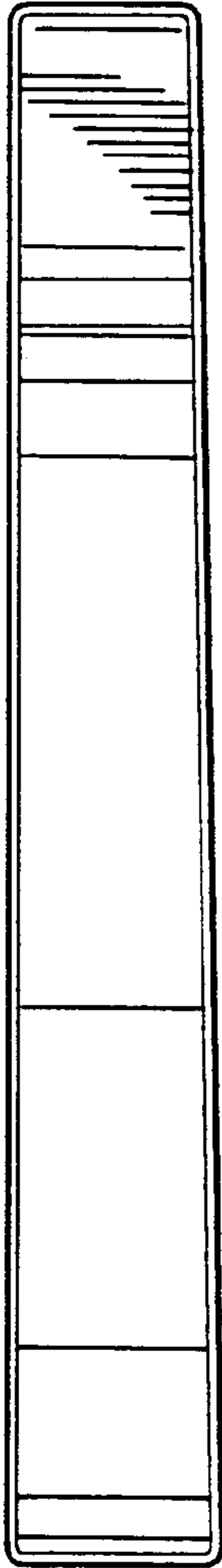


FIG. 6

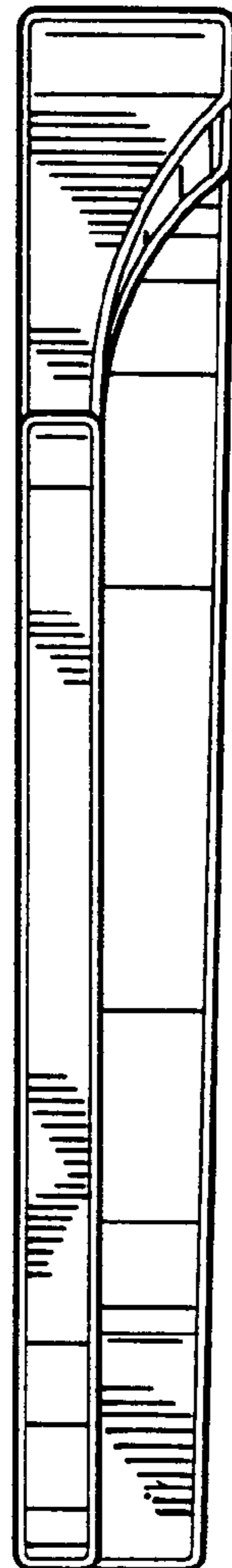


FIG. 7