



US00D439081S

(12) **United States Design Patent**
Goodworth

(10) **Patent No.:** **US D439,081 S**

(45) **Date of Patent:** **** Mar. 20, 2001**

(54) **CHAIR ARM**

(75) Inventor: **William H. Goodworth**, Davenport, IA
(US)

(73) Assignee: **HON Technology Inc.**, Muscatine, IA
(US)

(**) Term: **14 Years**

(21) Appl. No.: **29/119,464**

(22) Filed: **Mar. 1, 2000**

(51) **LOC (7) Cl.** **06-06**

(52) **U.S. Cl.** **D6/501; D6/366**

(58) **Field of Search** D6/334, 364, 365,
D6/366, 367, 379, 500, 501, 502; 297/411.2,
411.27, 411.28

(56) **References Cited**

U.S. PATENT DOCUMENTS

- D. 366,792 * 2/1996 McDiarmid D6/501
- D. 382,738 * 8/1997 Chen D6/501
- D. 408,182 * 4/1999 Tseng D6/501

- D. 408,641 * 4/1999 Tseng D6/366
- D. 417,106 * 11/1999 Lee D6/501
- D. 424,845 * 5/2000 Grove D6/501

* cited by examiner

Primary Examiner—Gary D. Watson

(74) *Attorney, Agent, or Firm*—Jones, Day, Reavis & Pogue

(57) **CLAIM**

The ornament design for a chair arm, as shown.

DESCRIPTION

FIG. 1 is a front, left perspective view of a chair arm showing my new design;
 FIG. 2 is a bottom, right perspective view thereof;
 FIG. 3 is a top plan view thereof;
 FIG. 4 is a left side view thereof;
 FIG. 5 is a bottom plan view thereof;
 FIG. 6 is a right side view thereof;
 FIG. 7 is a front view thereof; and,
 FIG. 8 is a rear view thereof.

1 Claim, 3 Drawing Sheets

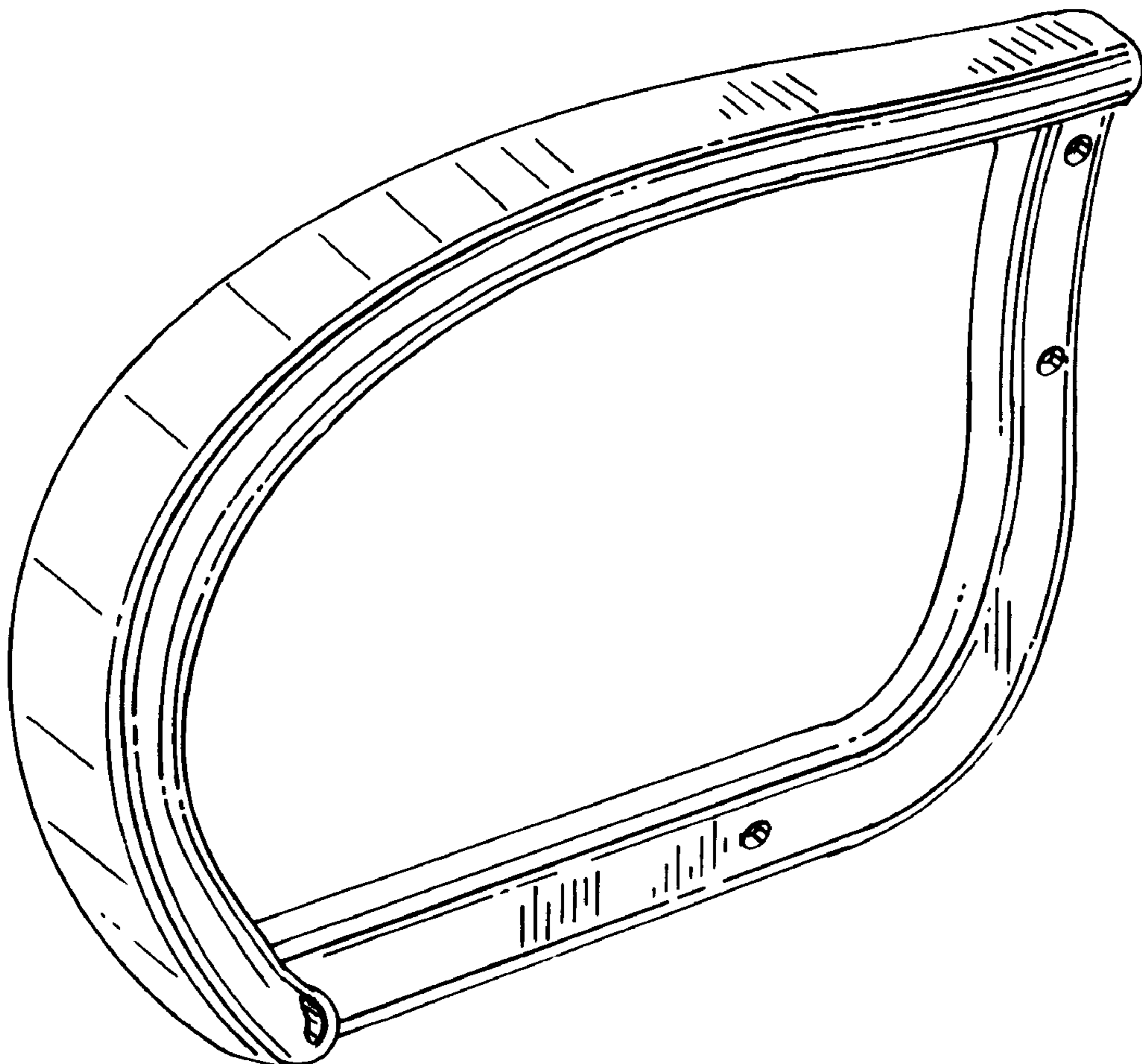


FIG. 1

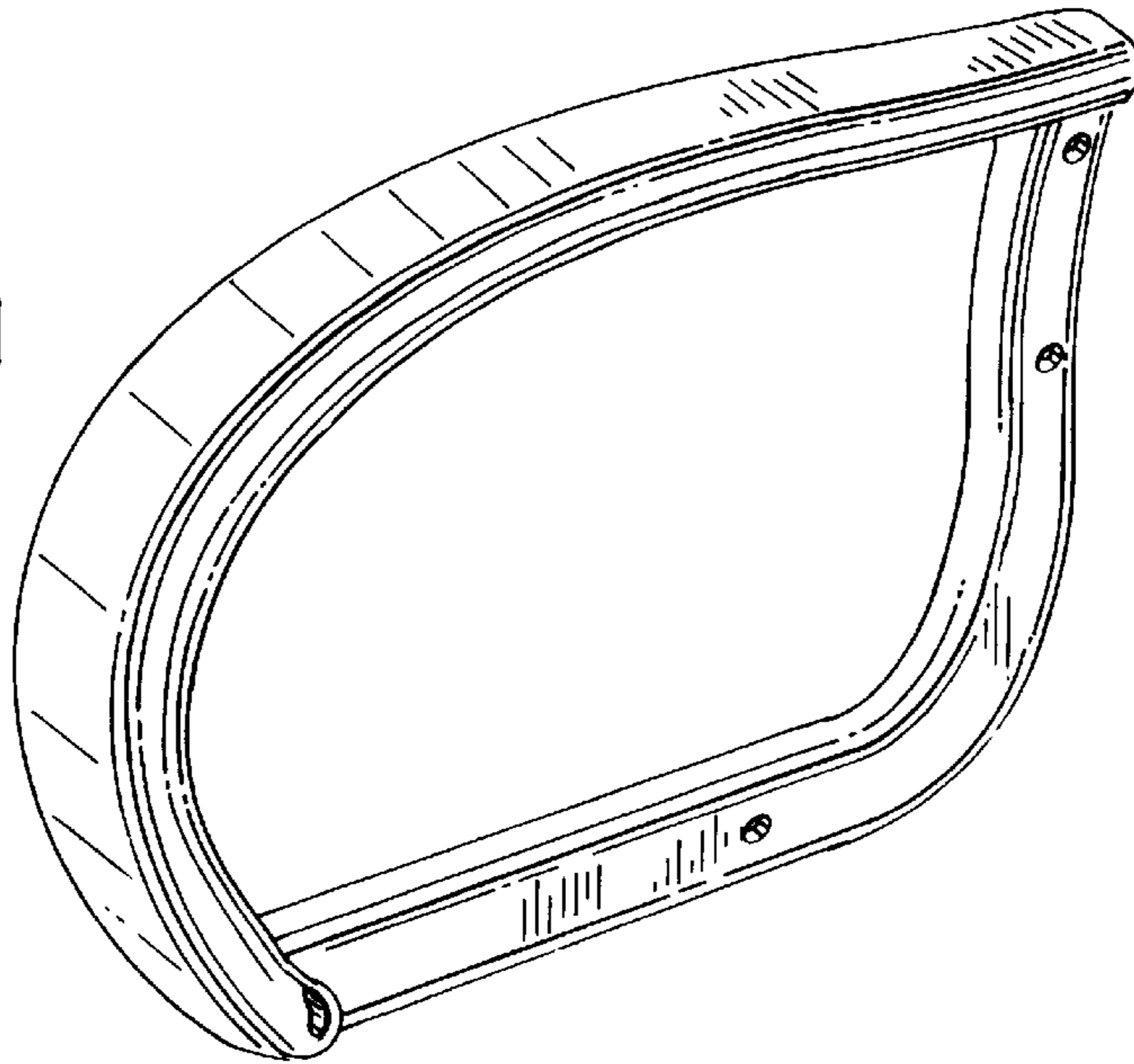


FIG. 2

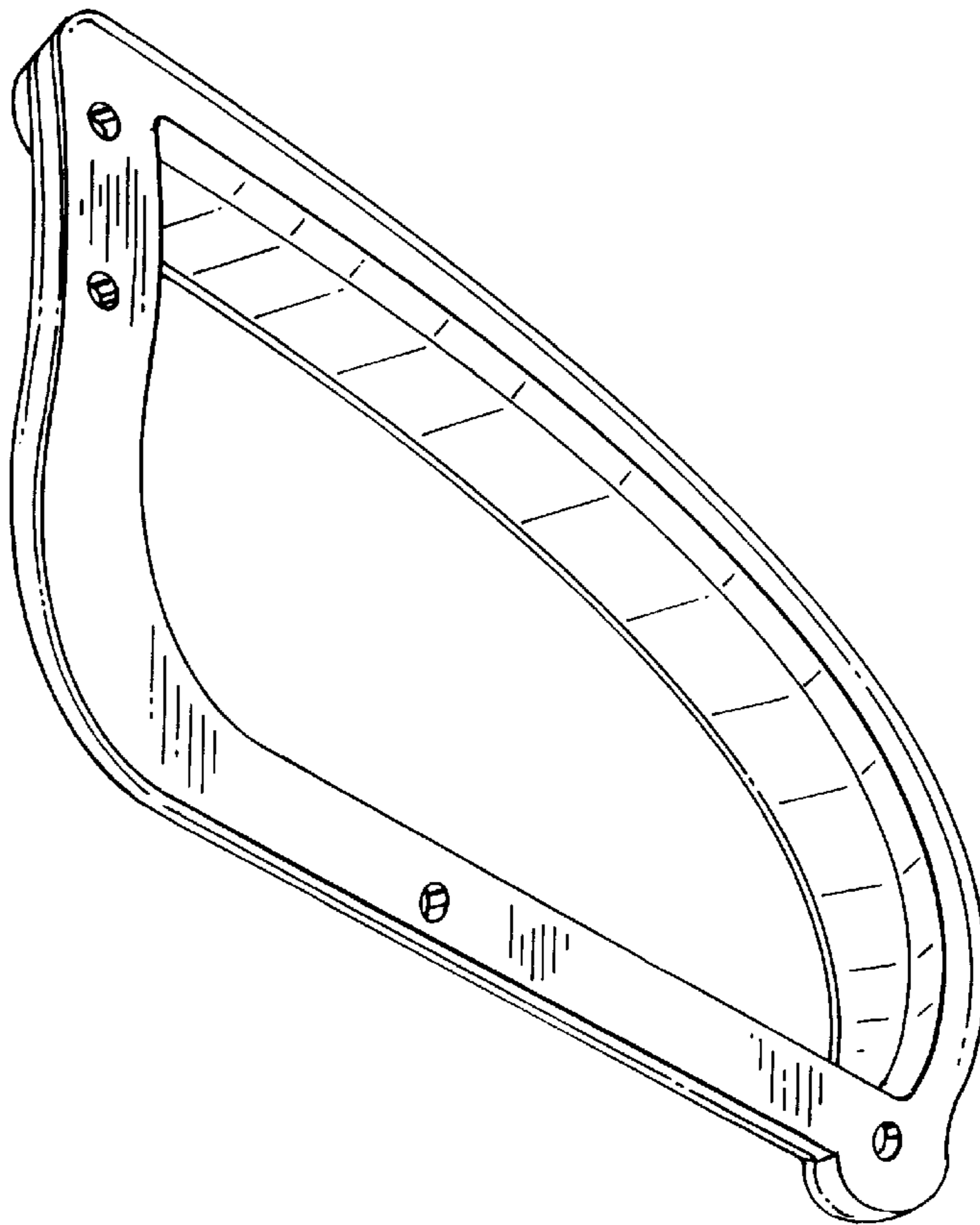


FIG. 3

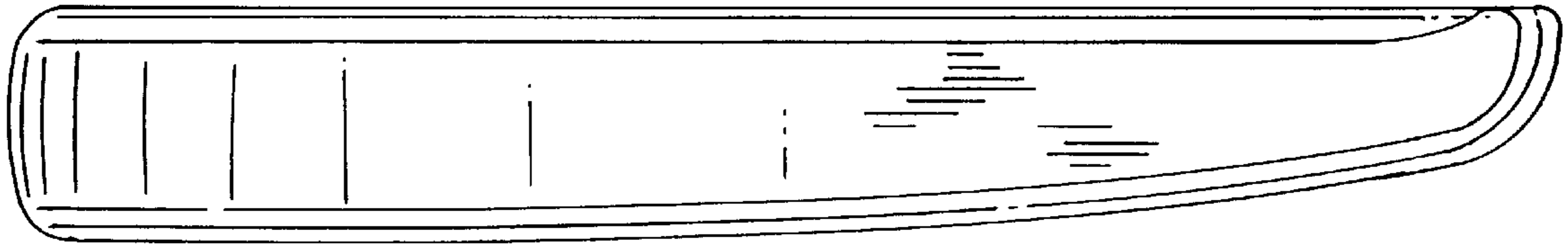


FIG. 4

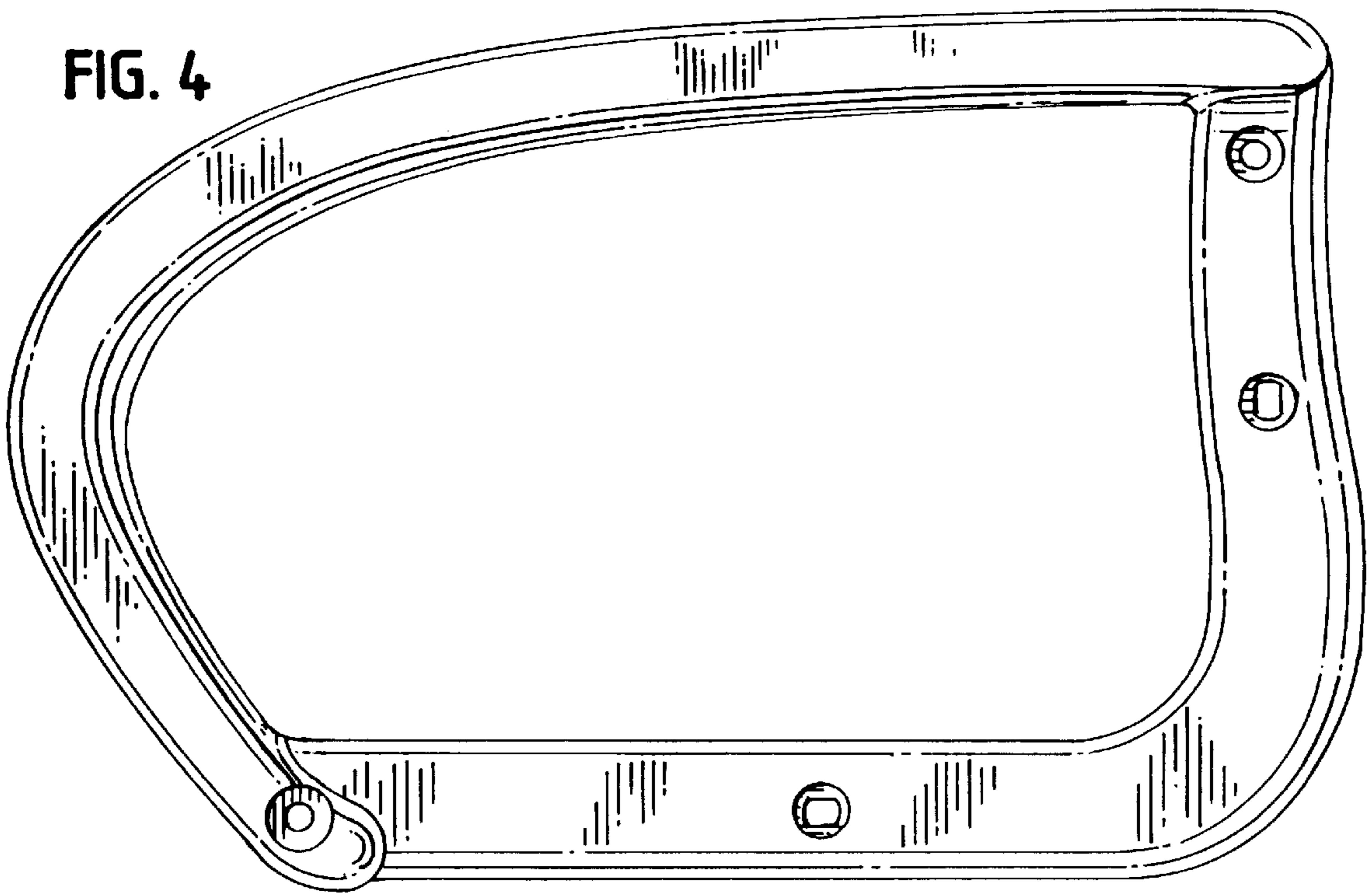


FIG. 5

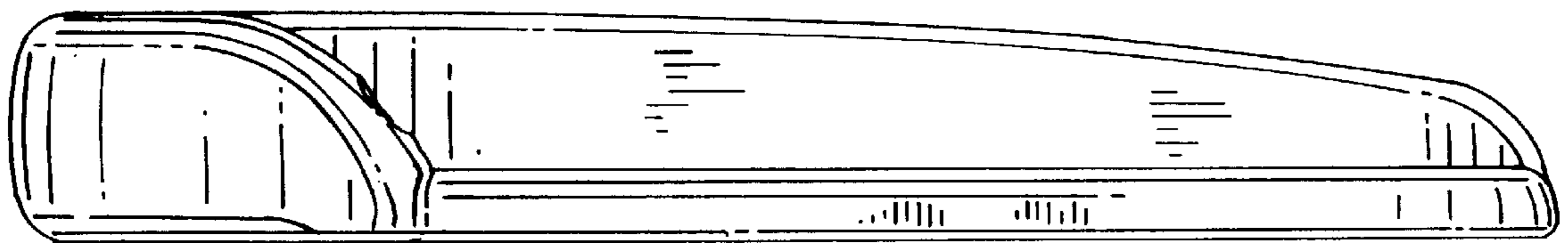


FIG. 6

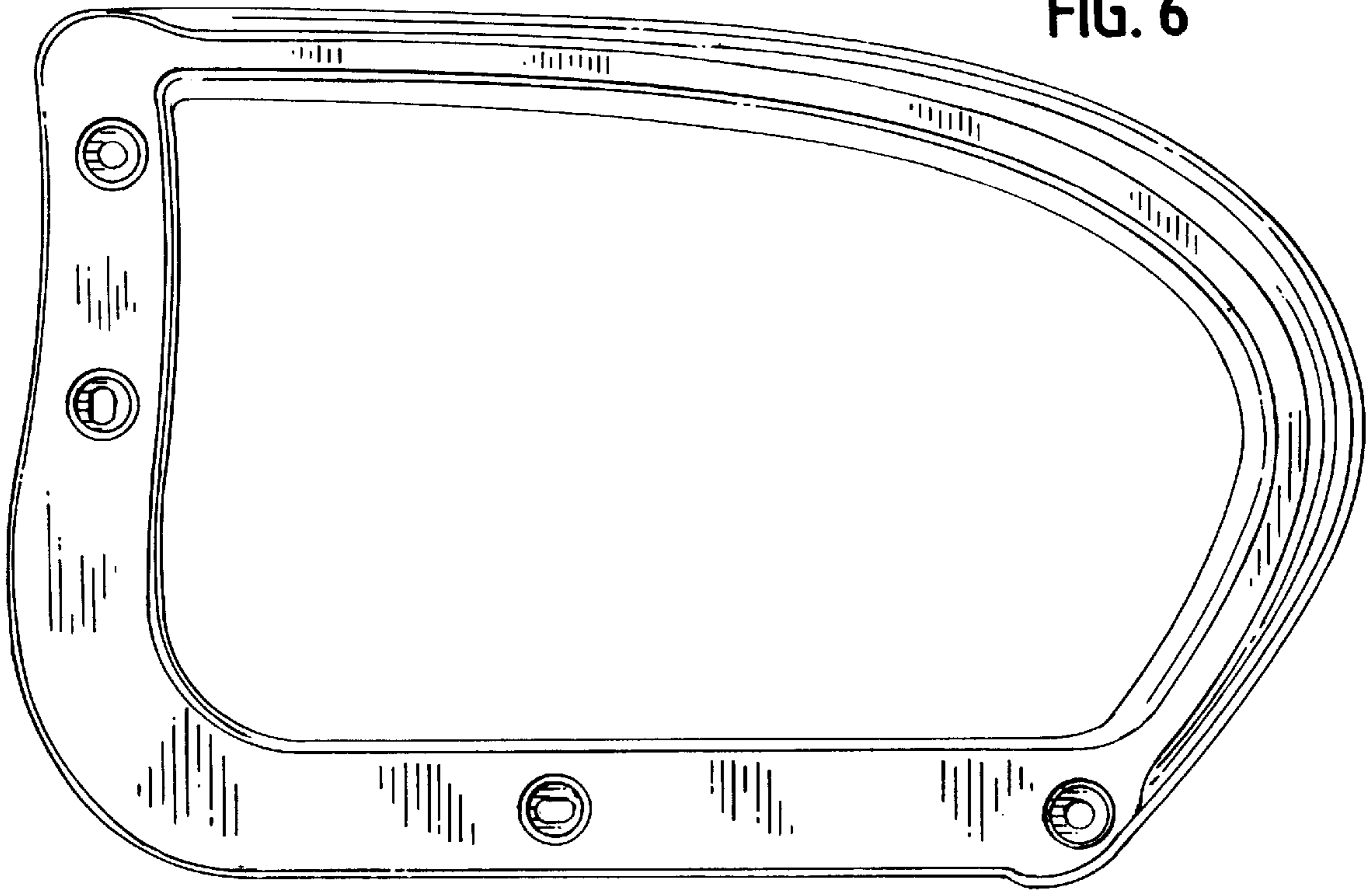


FIG. 7

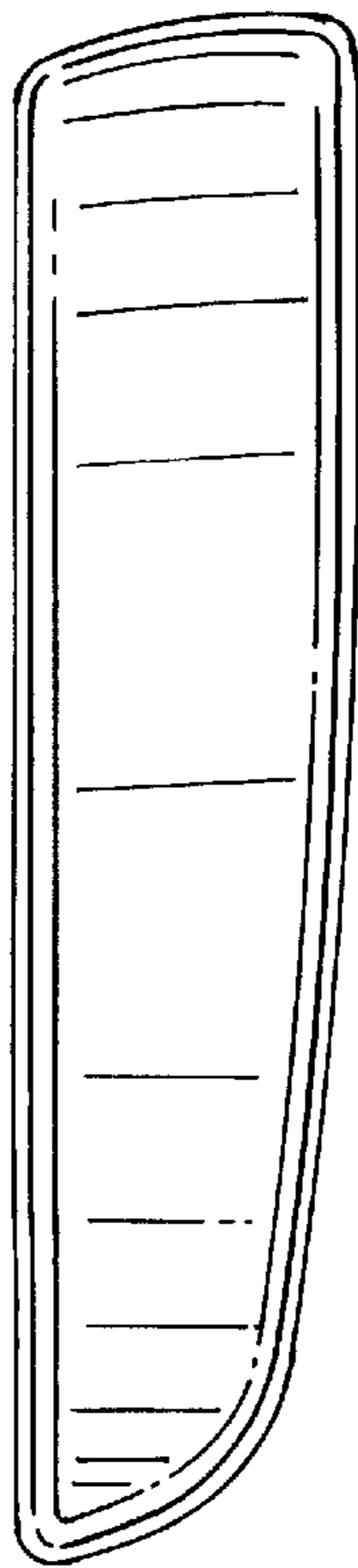


FIG. 8

