



US00D439079S

(12) **United States Design Patent**
Freese et al.

(10) **Patent No.:** **US D439,079 S**

(45) **Date of Patent:** **** Mar. 20, 2001**

(54) **SUNSCREEN**

5,397,268 * 3/1995 Chang et al. 454/338
5,601,106 2/1997 Guasto 135/156

(75) Inventors: **Scott E. Freese**, Omaha, NE (US);
Jeffrey J. Peitzmeier, Arvada, CO (US)

* cited by examiner

(73) Assignee: **Ascent Corporation**, Omaha, NE (US)

Primary Examiner—Janice E. Seeger

(**) Term: **14 Years**

(74) *Attorney, Agent, or Firm*—Koley Jessen P.C., A
Limited Liability Organization; Mark D. Frederiksen

(21) Appl. No.: **29/117,047**

(57) **CLAIM**

(22) Filed: **Jan. 17, 2000**

The ornamental design for a sunscreen, as shown and described.

(51) **LOC (7) Cl.** **06-06**

DESCRIPTION

(52) **U.S. Cl.** **D6/491**

(58) **Field of Search** D6/300, 309, 312,
D6/491, 418; 297/184.1, 184.11, 184.13;
5/418

FIG. 1 is a perspective view of the sunscreen showing our new design;

FIG. 2 is a top plan view thereof;

FIG. 3 is an elevational view taken from the right side of FIG. 1, the left elevational view being a mirror image thereof;

FIG. 4 is a front elevational view thereof;

FIG. 5 is a rear elevational view thereof; and,

FIG. 6 is a bottom plan view thereof.

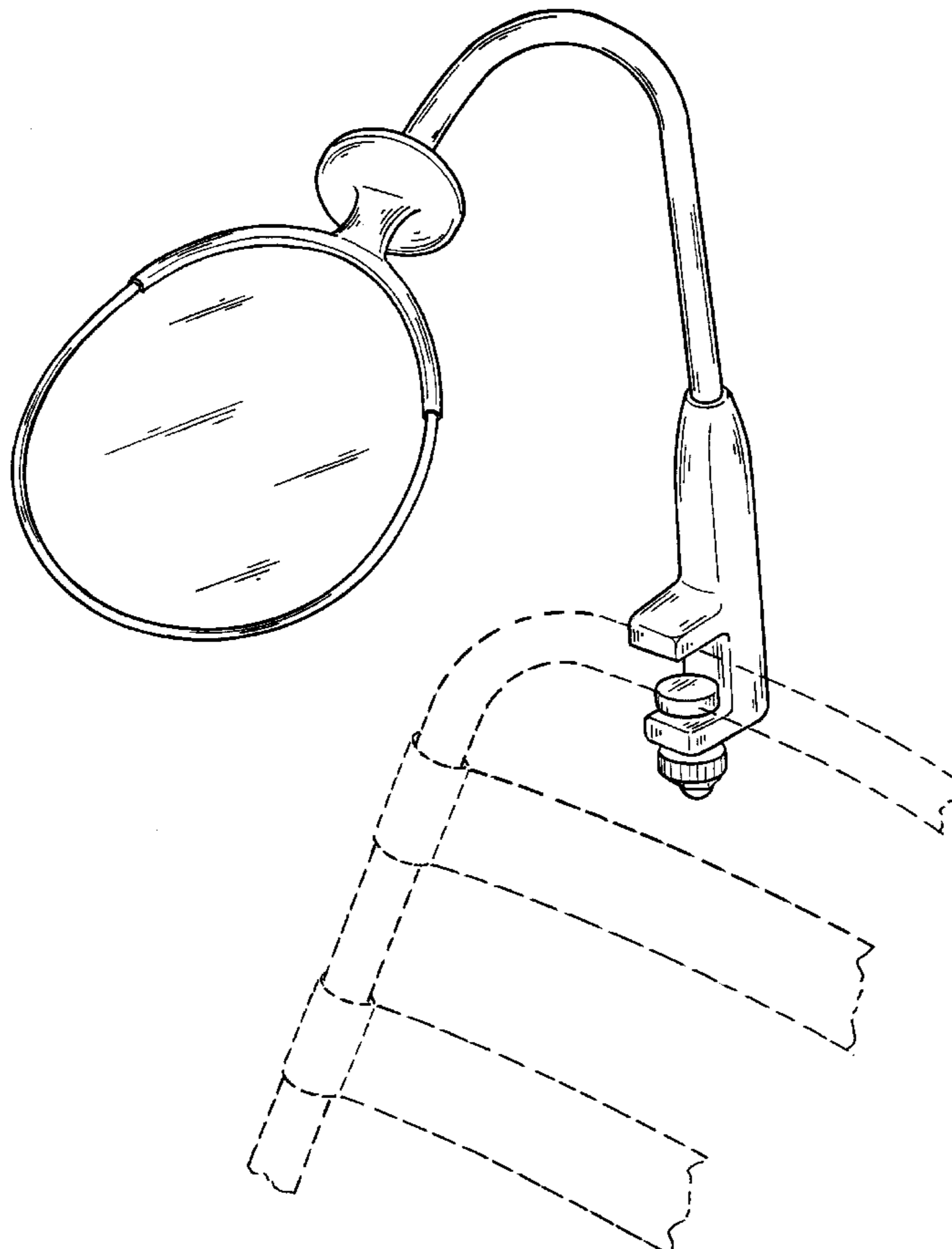
The broken line shown in FIG. 1 is included for the purpose of illustrating environmental structure only, and forms no part of the claimed design.

(56) **References Cited**

U.S. PATENT DOCUMENTS

D. 159,100	*	6/1950	Ryder	D6/308
D. 261,843	*	11/1981	Wall	D6/500
D. 310,311	*	9/1990	Bergen et al.	D6/500
D. 354,644		1/1995	Robinson	D6/491
3,066,577		12/1962	Gunderson	88/79
4,795,461		1/1989	Lindqvist et al.	623/6
4,865,380	*	9/1989	Heitzman-Powell et al.	..	297/184.13
5,066,082		11/1991	Longstaff	359/361

1 Claim, 3 Drawing Sheets



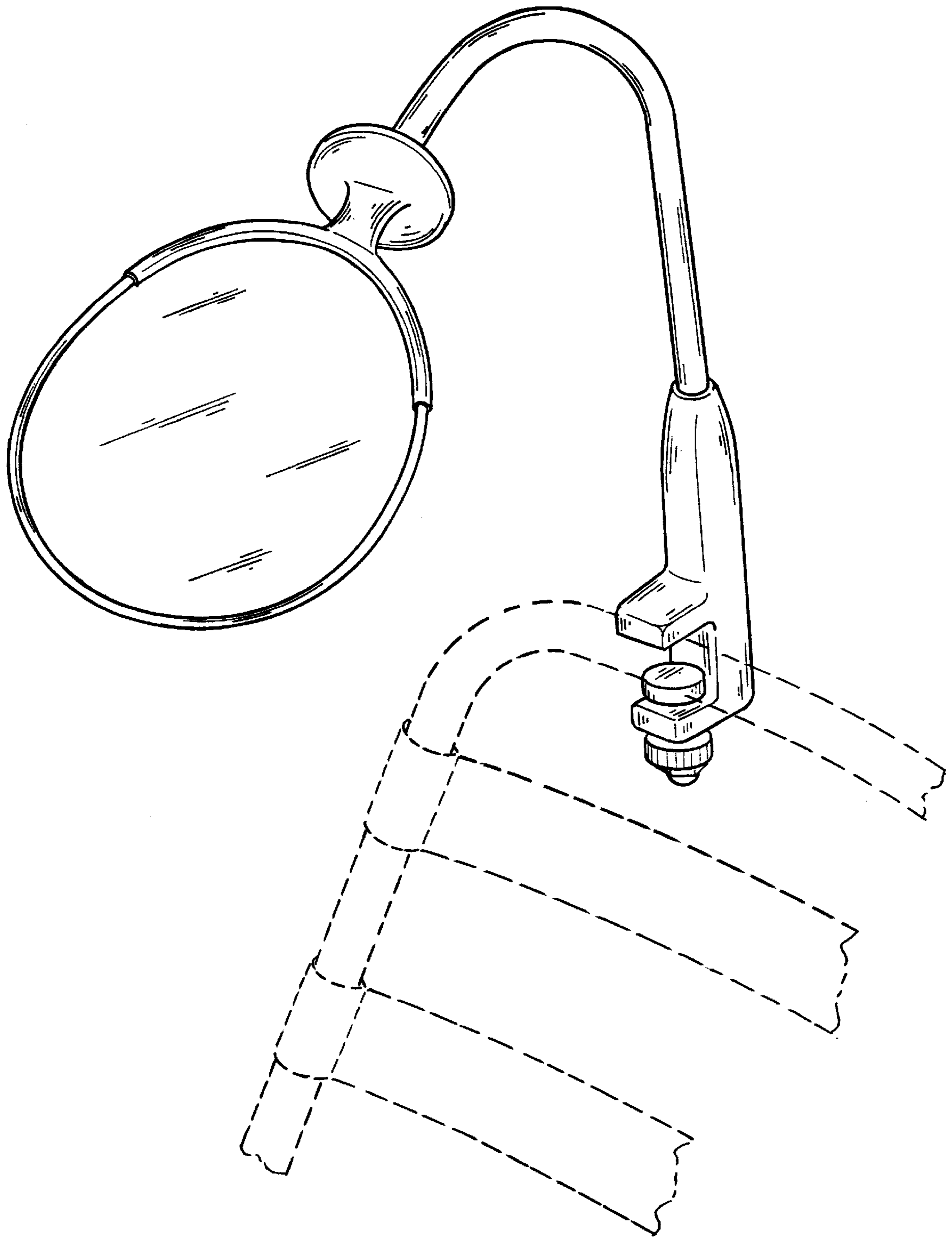


FIG. 1

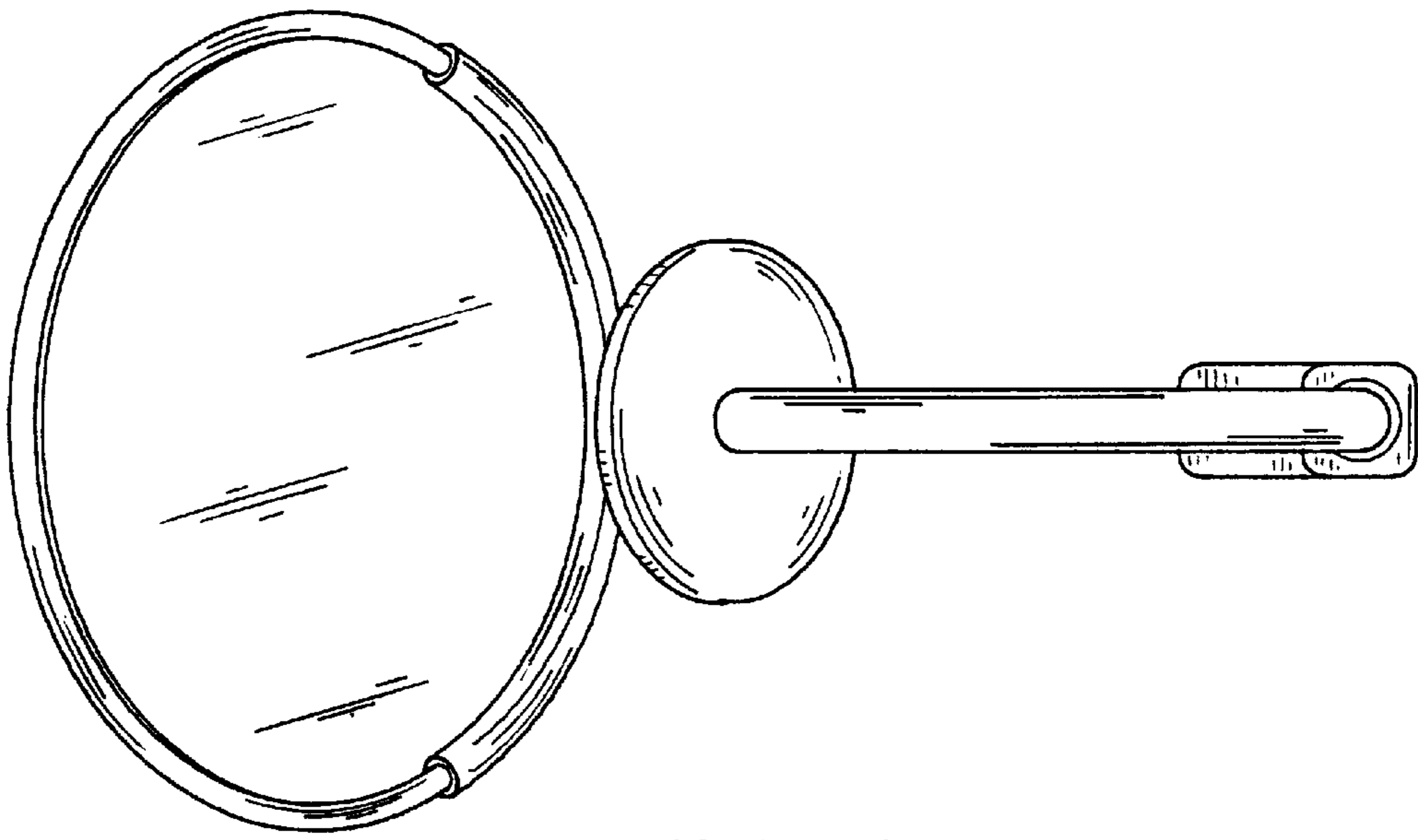


FIG. 2

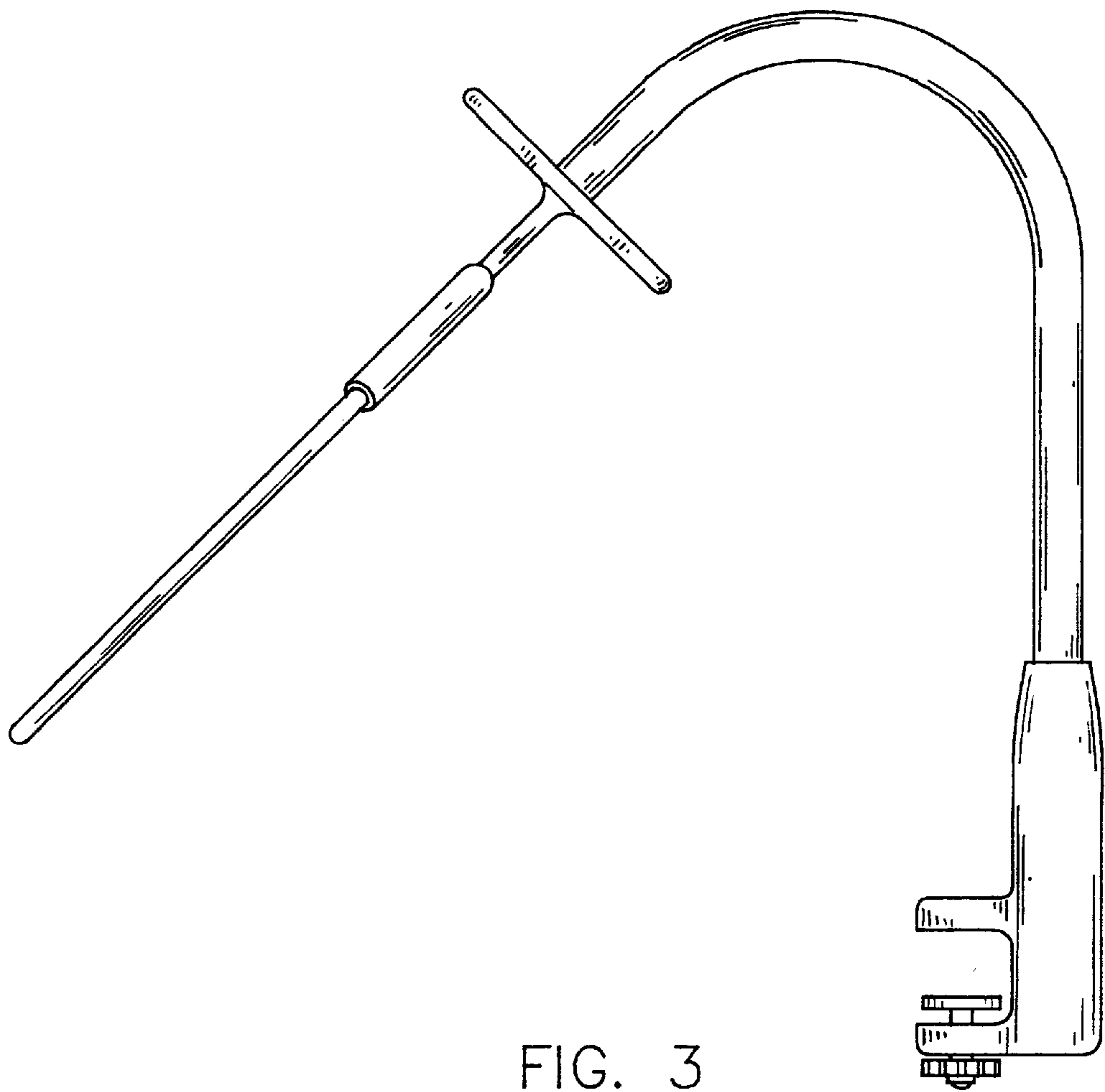


FIG. 3

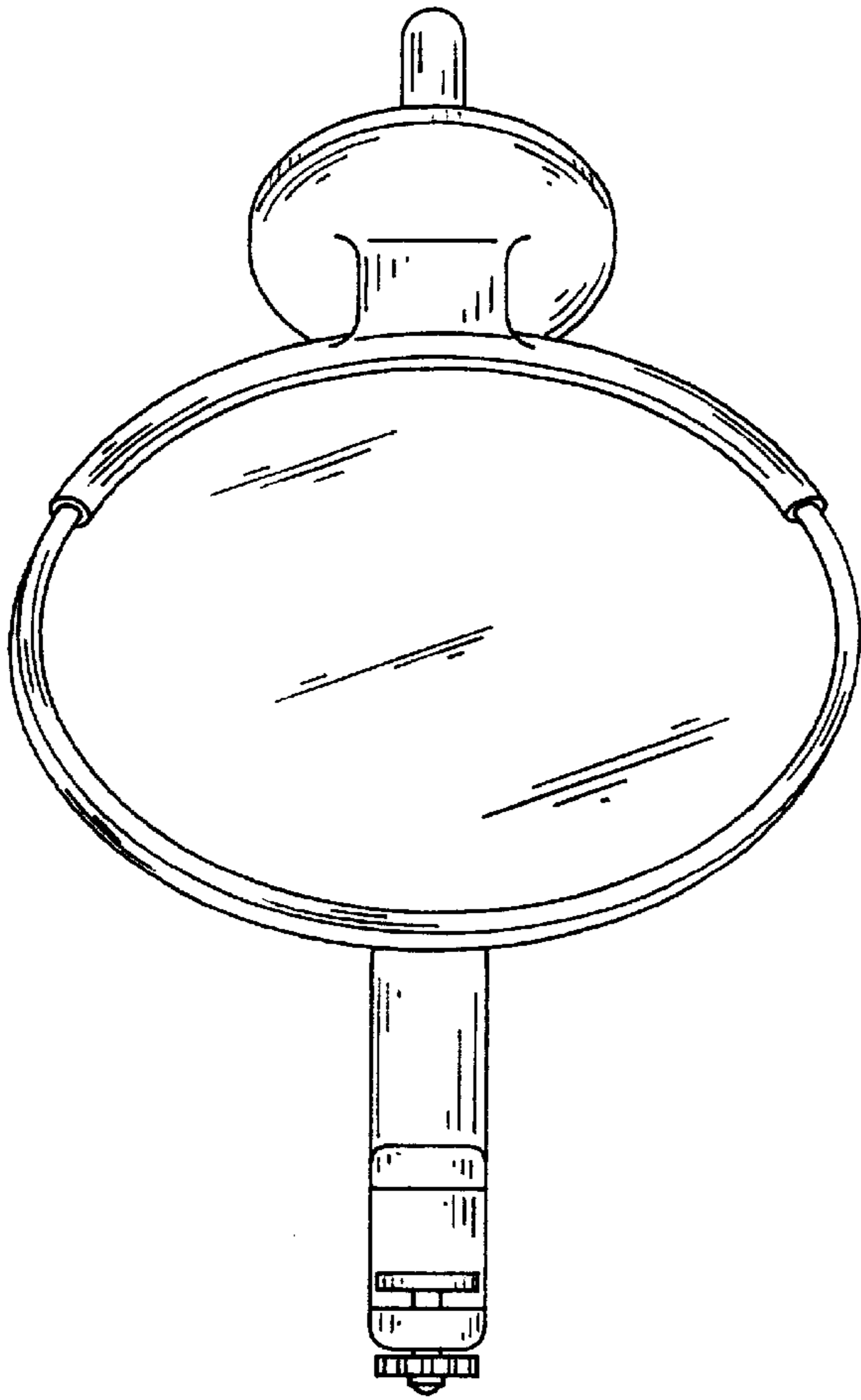


FIG. 4

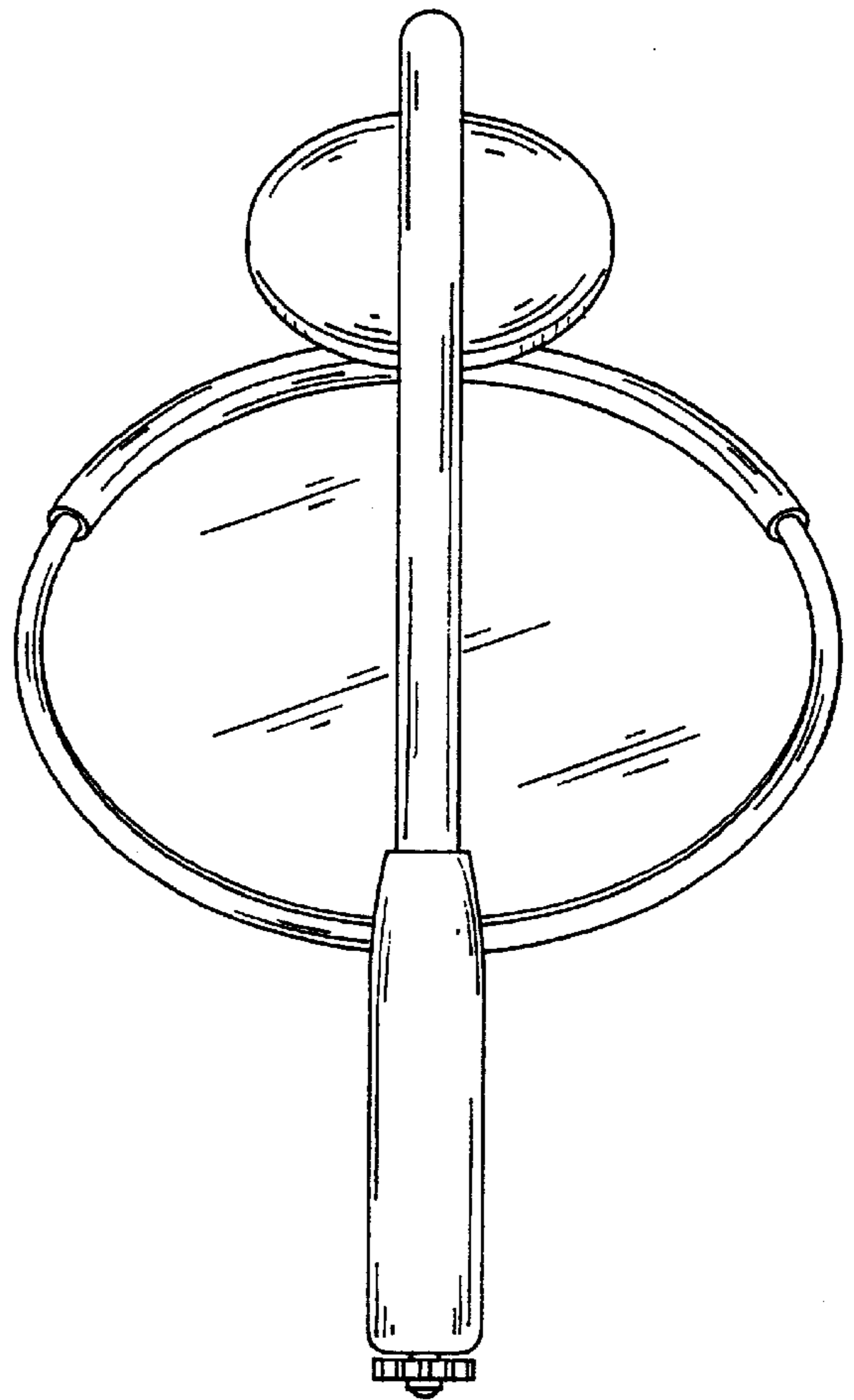


FIG. 5

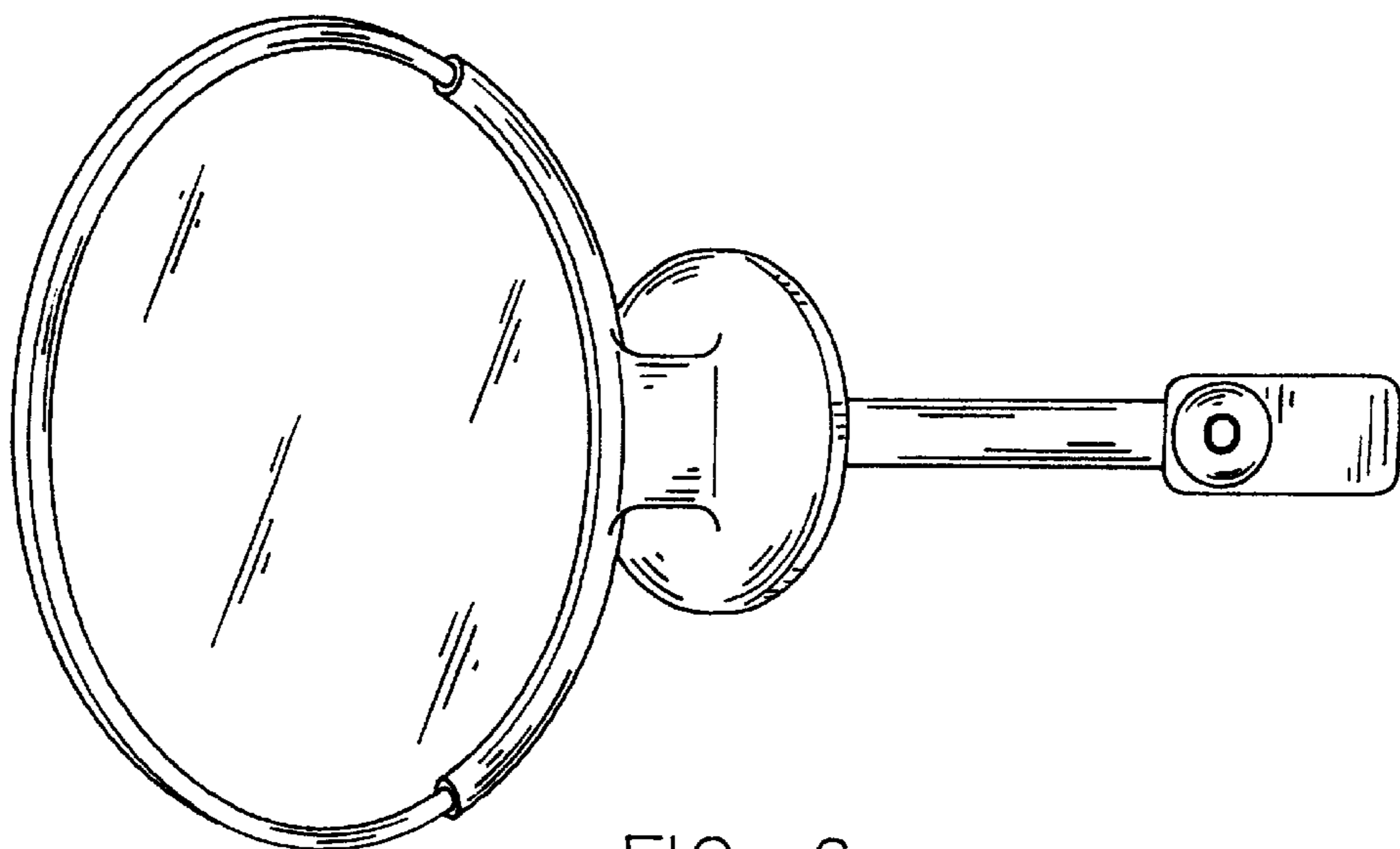


FIG. 6