



US00D439076S

(12) **United States Design Patent**  
**Mathieu et al.**

(10) **Patent No.:** **US D439,076 S**

(45) **Date of Patent:** **\*\* Mar. 20, 2001**

(54) **CABINET**

(74) *Attorney, Agent, or Firm*—Heslin & Rothenberg, P.C.

(75) **Inventors:** **Paul Mathieu**, Aix-en-Provence (FR);  
**Sherri Donghia**; **Thomas Fuchs**, both  
of New York, NY (US); **Masaru**  
**Suzuki**, Brooklyn, NY (US); **Jennifer**  
**Hutton**, West Islip, NY (US)

(57) **CLAIM**

The ornamental design for the cabinet, as shown and described.

(73) **Assignee:** **Donghia Furniture/Textiles Ltd.**, New York, NY (US)

**DESCRIPTION**

(\*\*) **Term:** **14 Years**

FIG. 1 is a perspective view of the cabinet comprising our new design;

(21) **Appl. No.:** **29/120,170**

FIG. 2 is a top plan view thereof;

(22) **Filed:** **Mar. 15, 2000**

FIG. 3 is a front elevational view thereof;

(51) **LOC (7) Cl.** ..... **06-04**

FIG. 4 is a right side elevational view thereof, the left side elevational view being a mirror image thereof; and,

(52) **U.S. Cl.** ..... **D6/446**

FIG. 5 is a front elevational view of a second embodiment of the cabinet shown in FIG. 1, the sole difference residing in the joining together of two cabinets.

(58) **Field of Search** ..... D6/432-448; 312/204

(56) **References Cited**

**U.S. PATENT DOCUMENTS**

- D. 223,373 \* 4/1972 Elvestad ..... D6/440
- D. 412,628 \* 8/1999 Lewis ..... D6/441

The bottom and rear form no part of the claimed design.

**OTHER PUBLICATIONS**

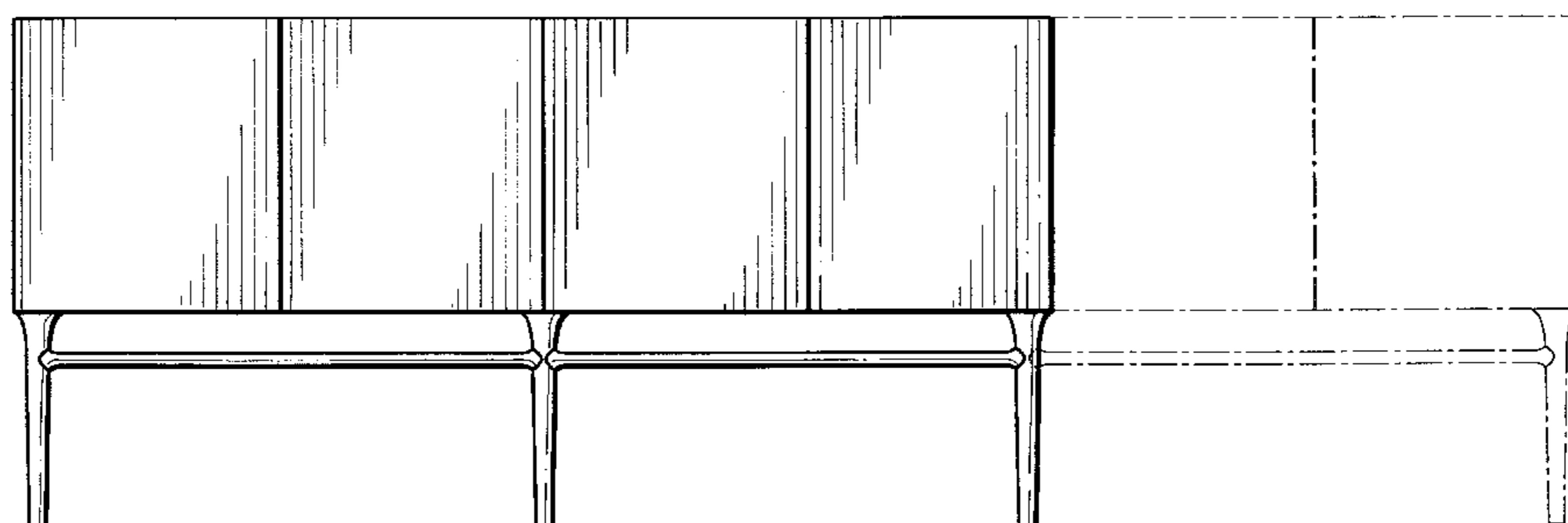
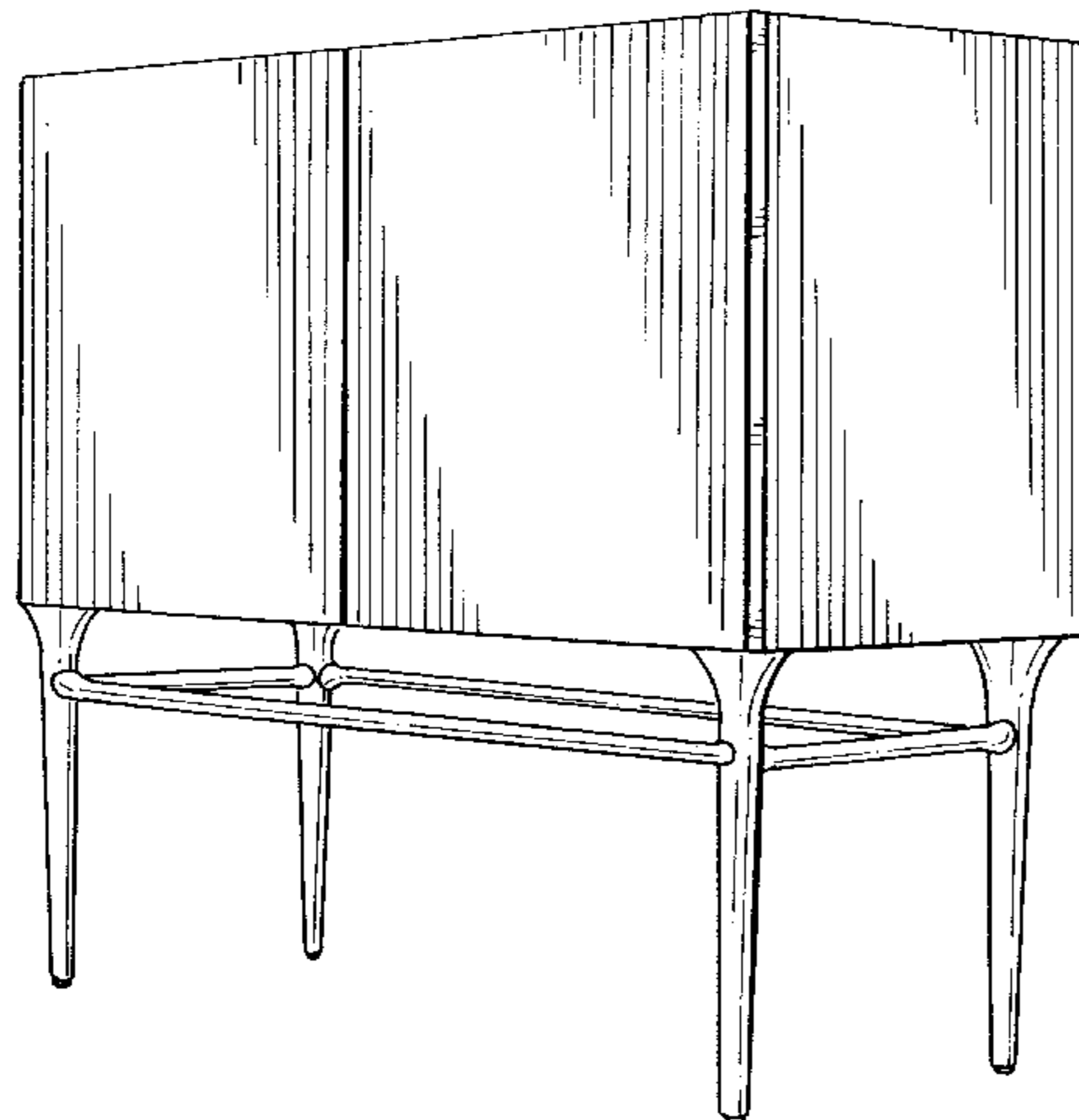
Willow and Reed, *Commode #192*, p. 52, 1970.\*

The broken line showing of drawer pulls in FIG. 2 and of an additional cabinet in FIG. 5 are for illustrative purposes only and forms no part of the claimed design.

\* cited by examiner

*Primary Examiner*—Cathron Brooks

**1 Claim, 3 Drawing Sheets**



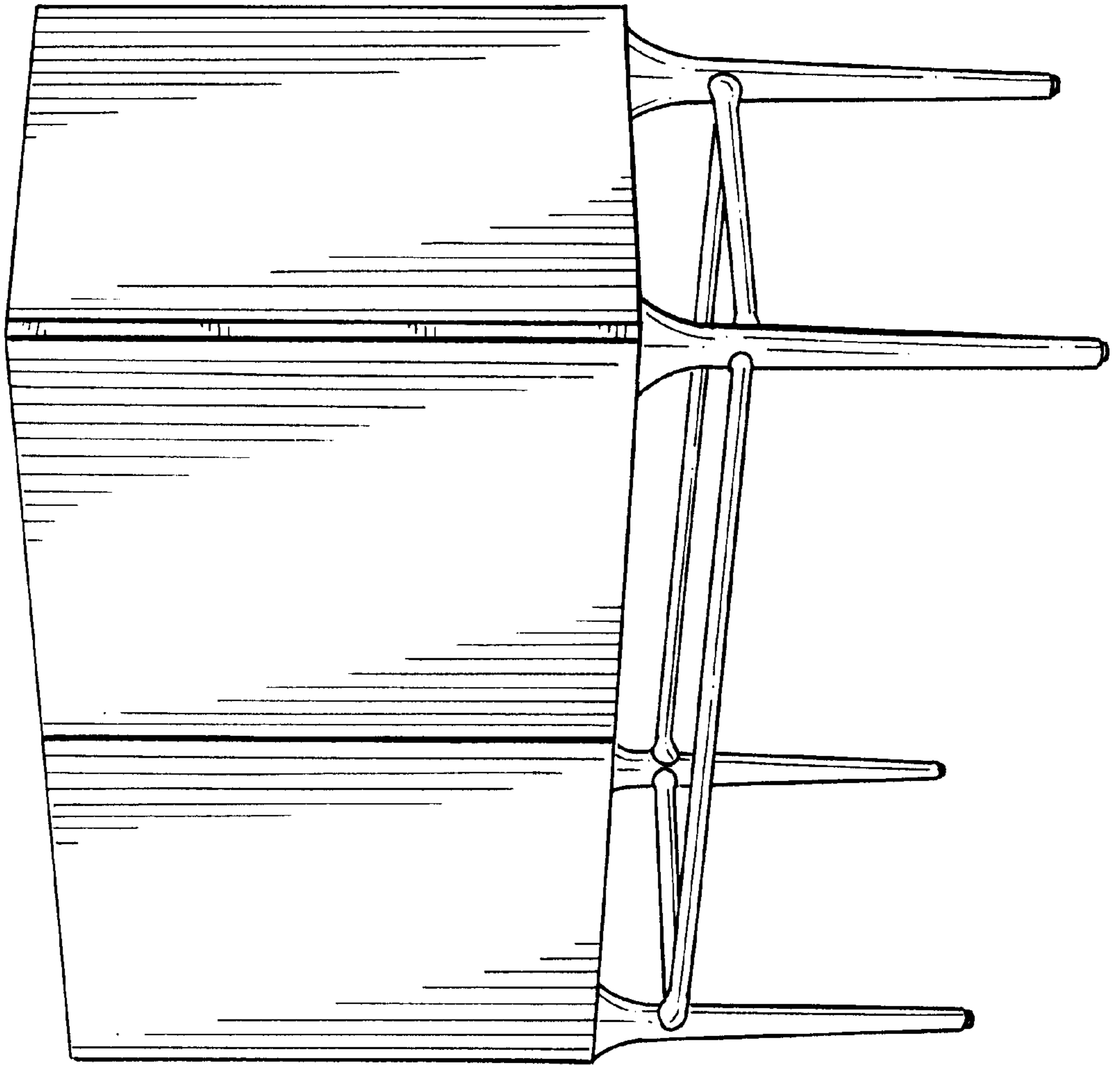


FIG. 1

FIG. 2

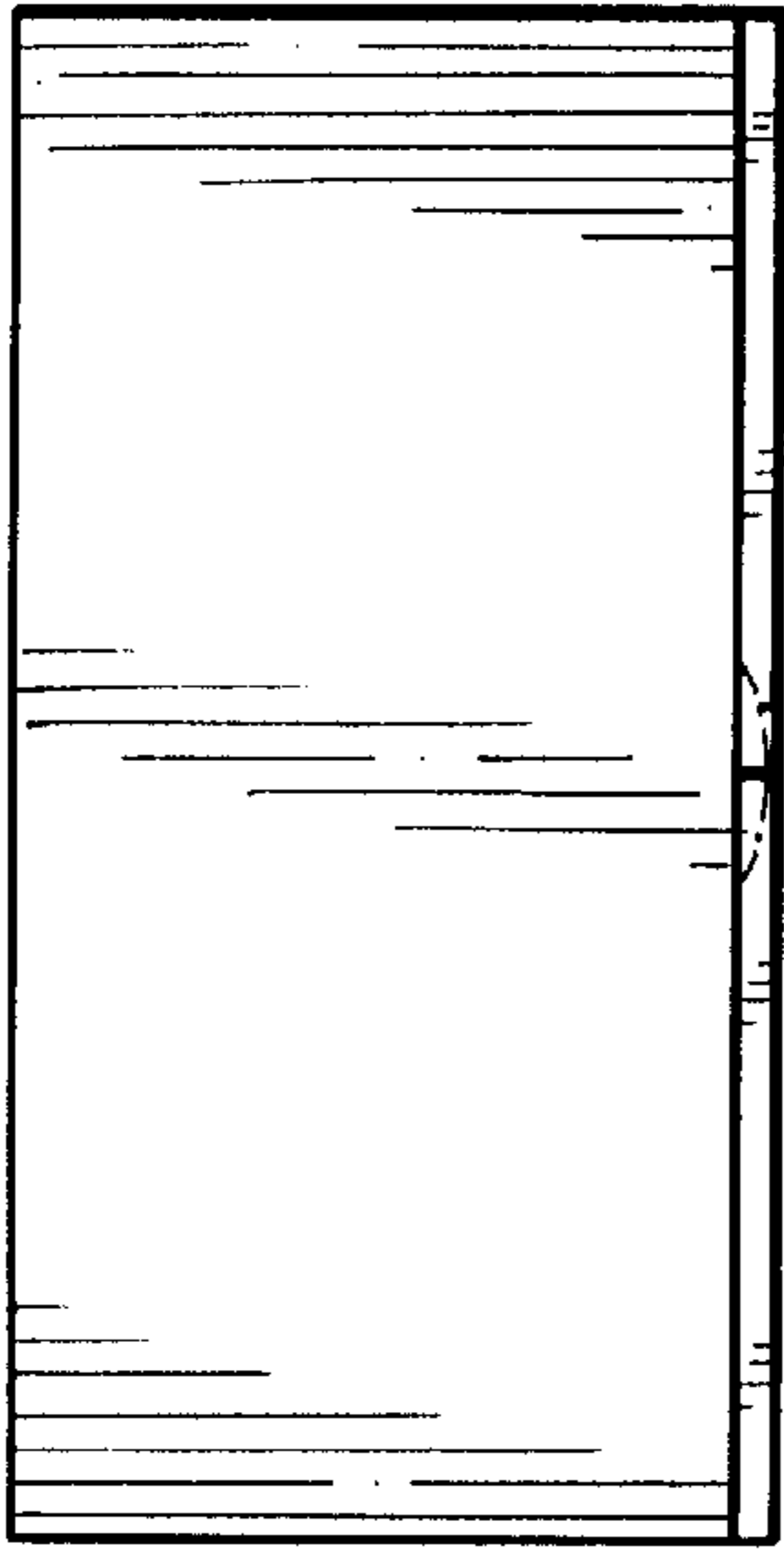


FIG. 3

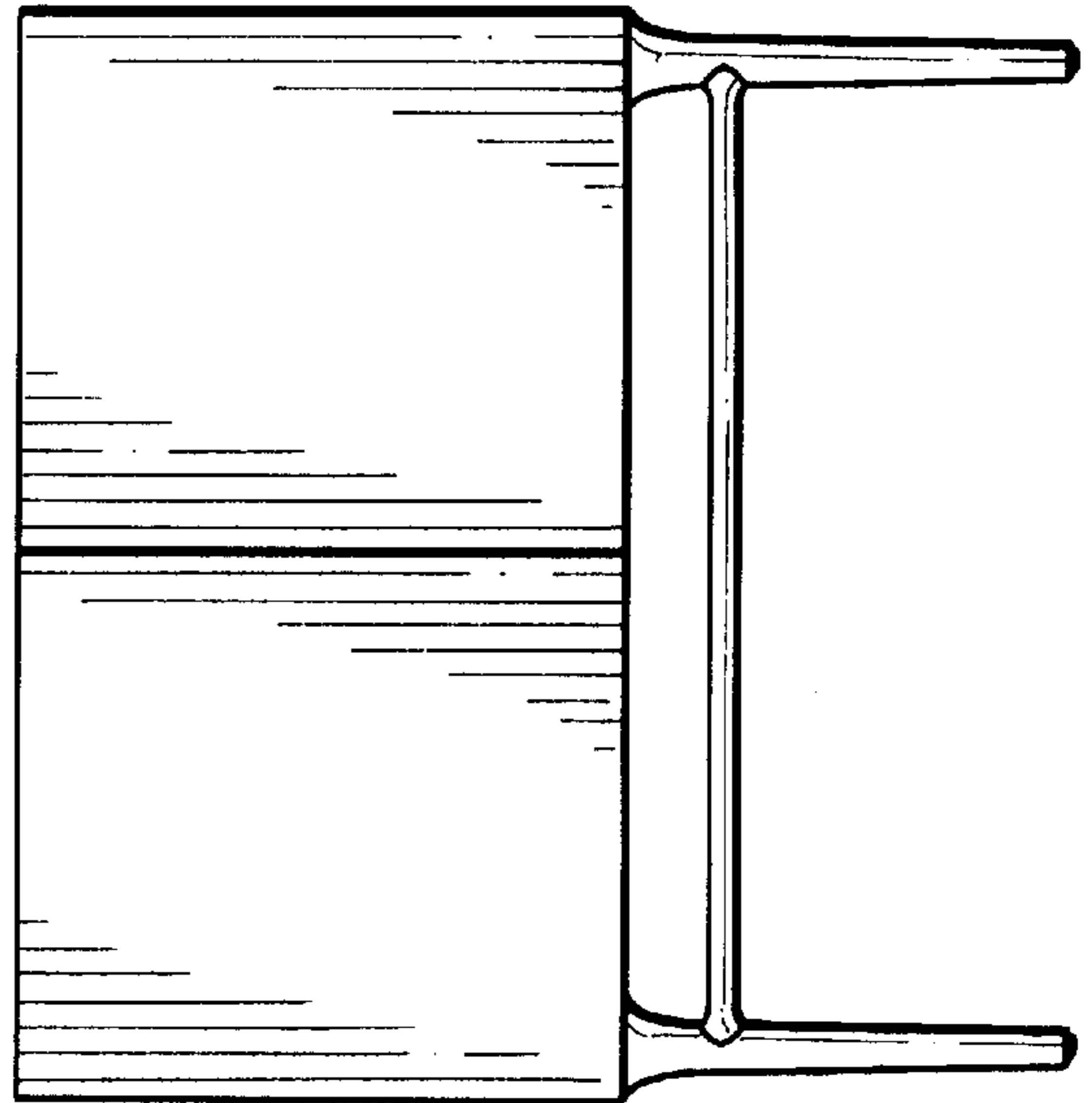


FIG. 4

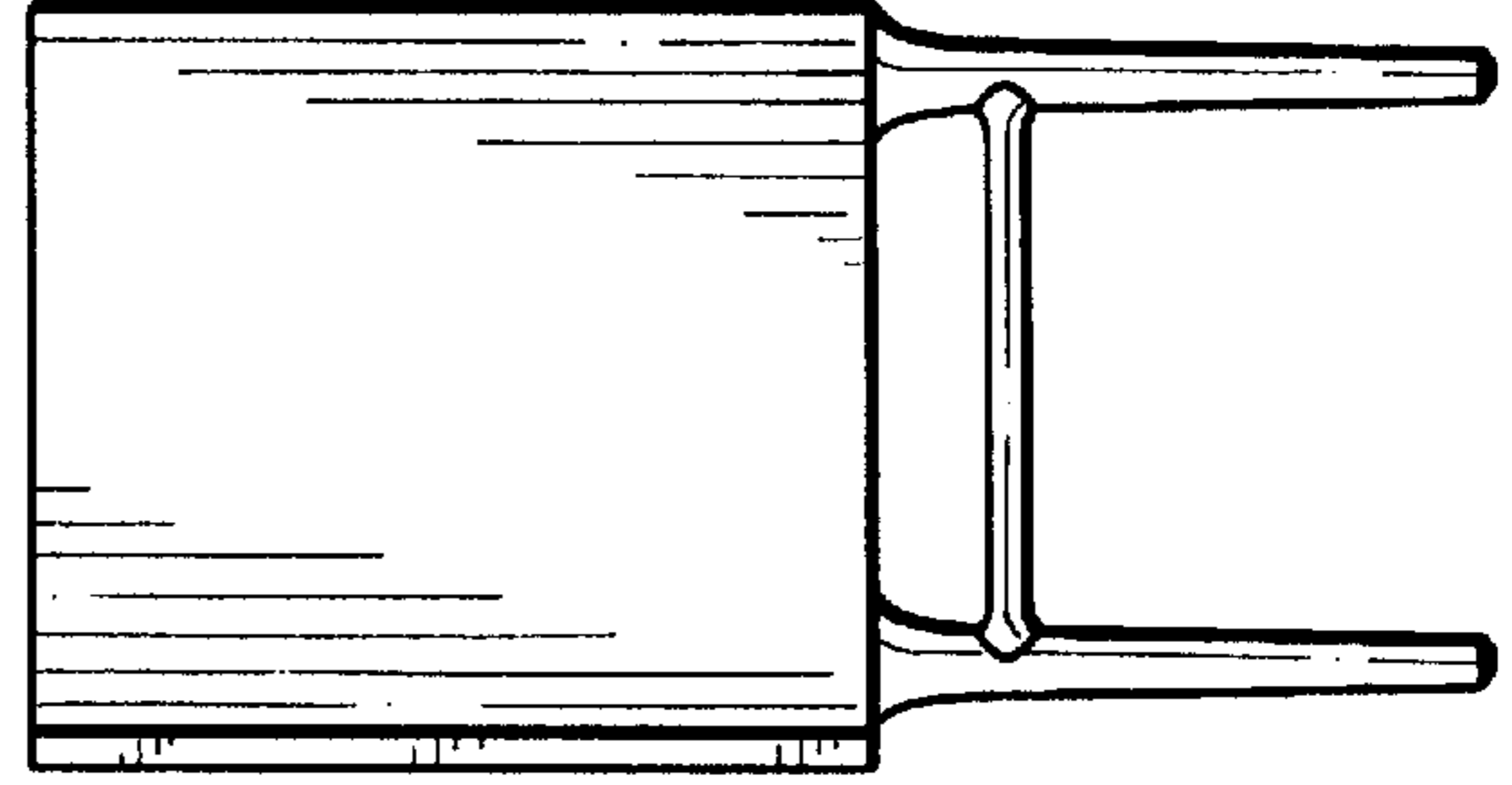


FIG. 5

