



US00D439073S

(12) **United States Design Patent**
Velidedeoglu et al.

(10) **Patent No.:** **US D439,073 S**

(45) **Date of Patent:** **** Mar. 20, 2001**

(54) **BEDROOM WARDROBE**

D. 334,376 * 3/1993 McNeir D12/315
D. 379,879 * 6/1997 Quiggins et al. D6/445

(76) Inventors: **Alinur Velidedeoglu**, 641 E. 51st St.,
#49 B, New York, NY (US) 10022;
Haluk Velidedeoglu, 13-11 Fairclough
Pl., Fair Lawn, NJ (US) 07410

* cited by examiner

Primary Examiner—Cathron Brooks
(74) *Attorney, Agent, or Firm*—Haker & Ozisik LLP

(**) Term: **14 Years**

(57) **CLAIM**

(21) Appl. No.: **29/105,869**

The ornamental design for a bedroom wardrobe, substan-
tially as shown.

(22) Filed: **Jun. 4, 1999**

DESCRIPTION

(51) **LOC (7) Cl.** **06-04**

(52) **U.S. Cl.** **D6/434; D6/441; D6/445**

(58) **Field of Search** D6/396, 432, 434,
D6/441, 442, 445; D12/315, 317, 318;
312/204, 283

FIG. 1 is a front right perspective view of our design for a
bedroom wardrobe;
FIG. 2 is a front elevational view thereof;
FIG. 3 is a right side elevational view thereof;
FIG. 4 is a left side elevational view thereof;
FIG. 5 is a bottom plan view thereof;
FIG. 6 is a top plan view thereof; and,
FIG. 7 is a rear elevational view thereof.

(56) **References Cited**

U.S. PATENT DOCUMENTS

D. 291,511 * 8/1987 Lies D6/441
D. 331,847 * 12/1992 Allen D6/441 X

1 Claim, 7 Drawing Sheets

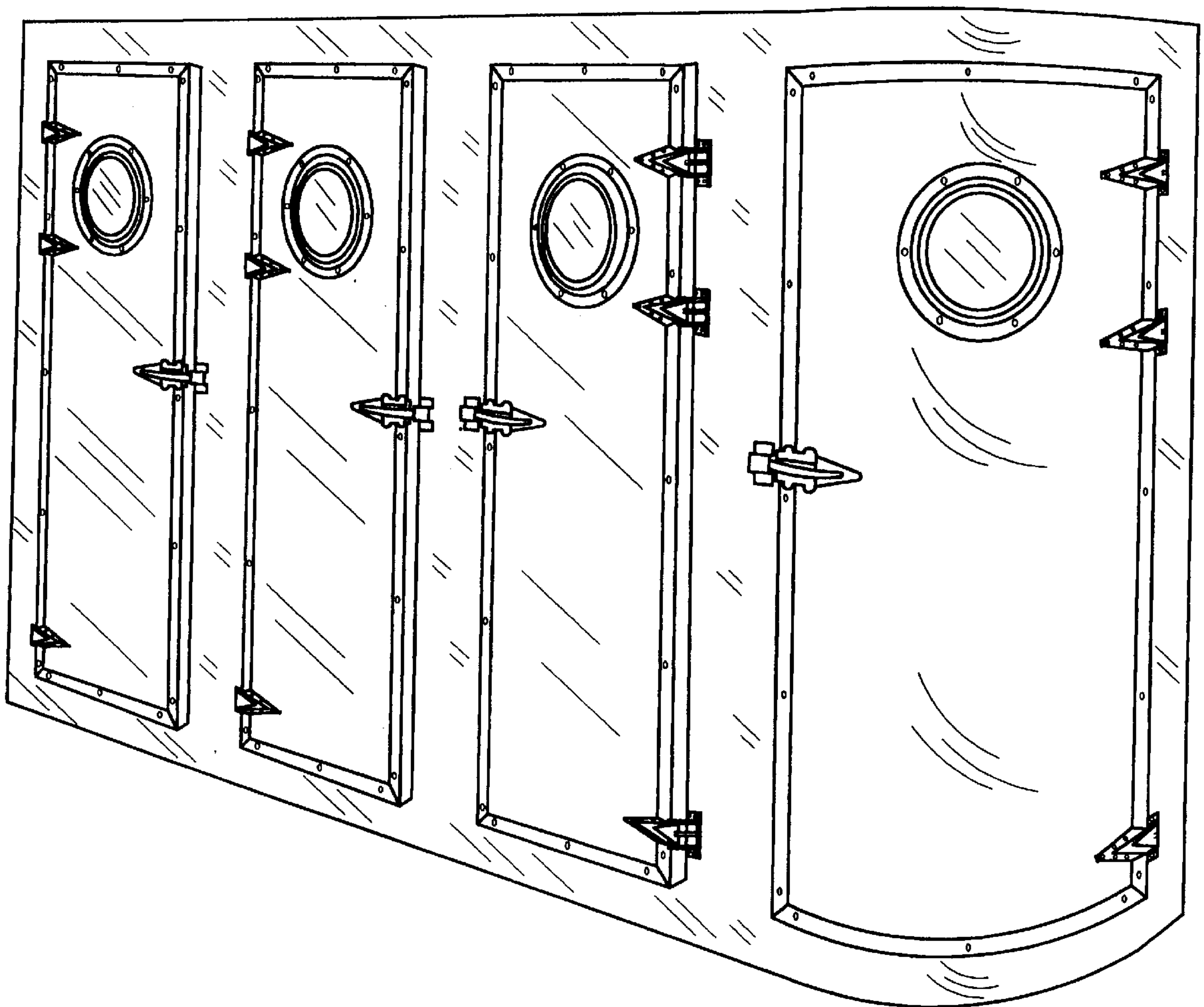
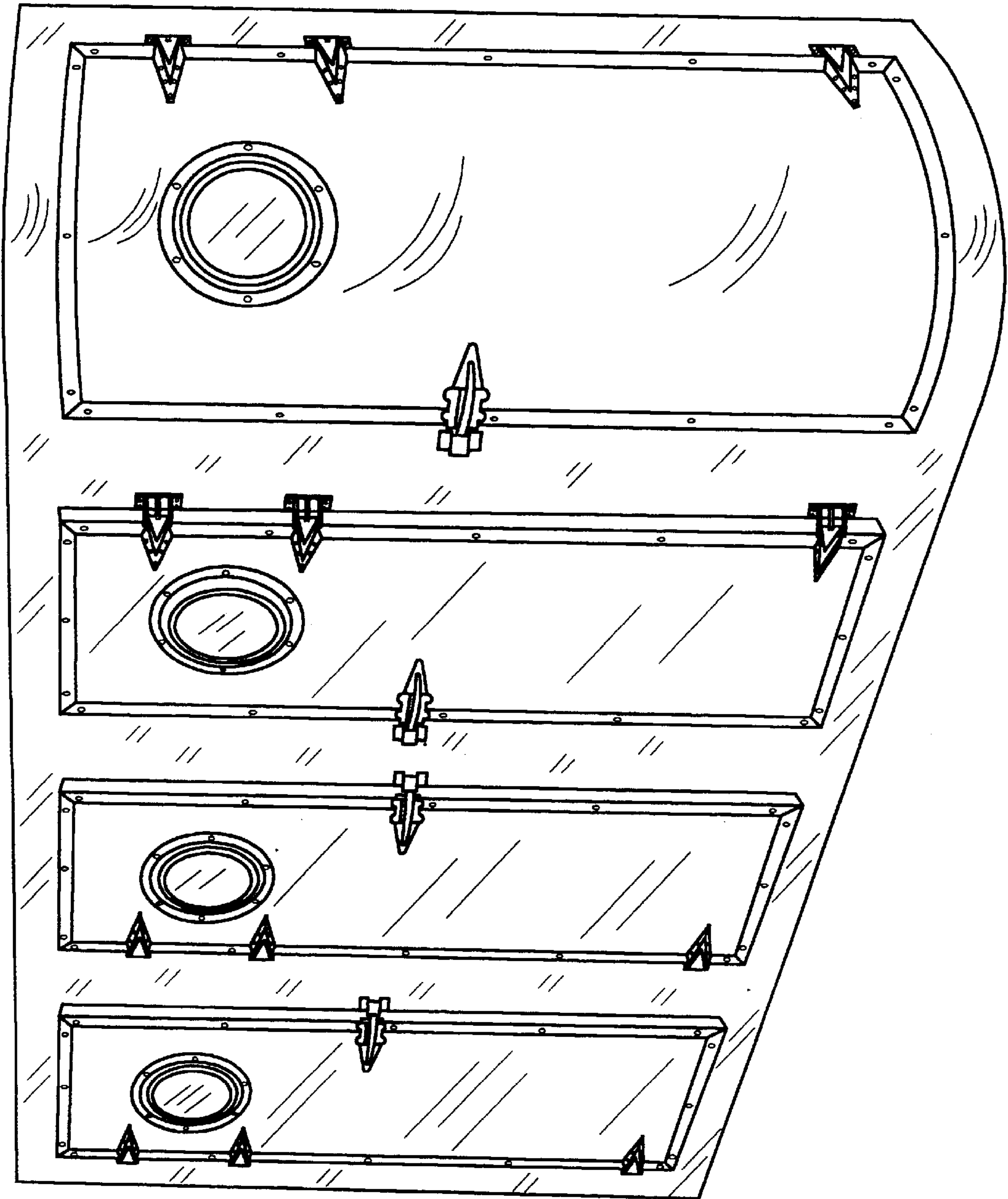


FIG. 1



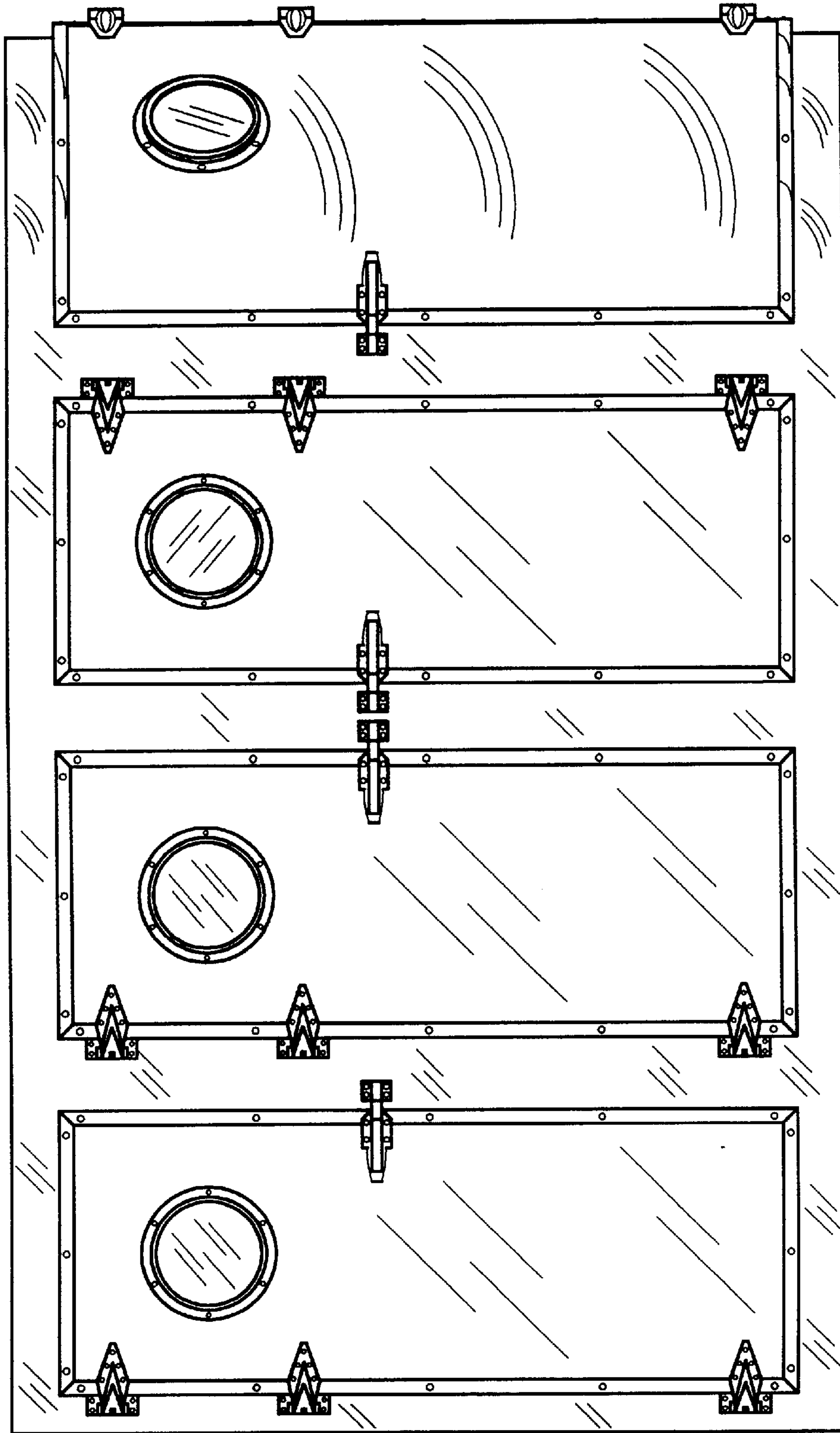


FIG. 2

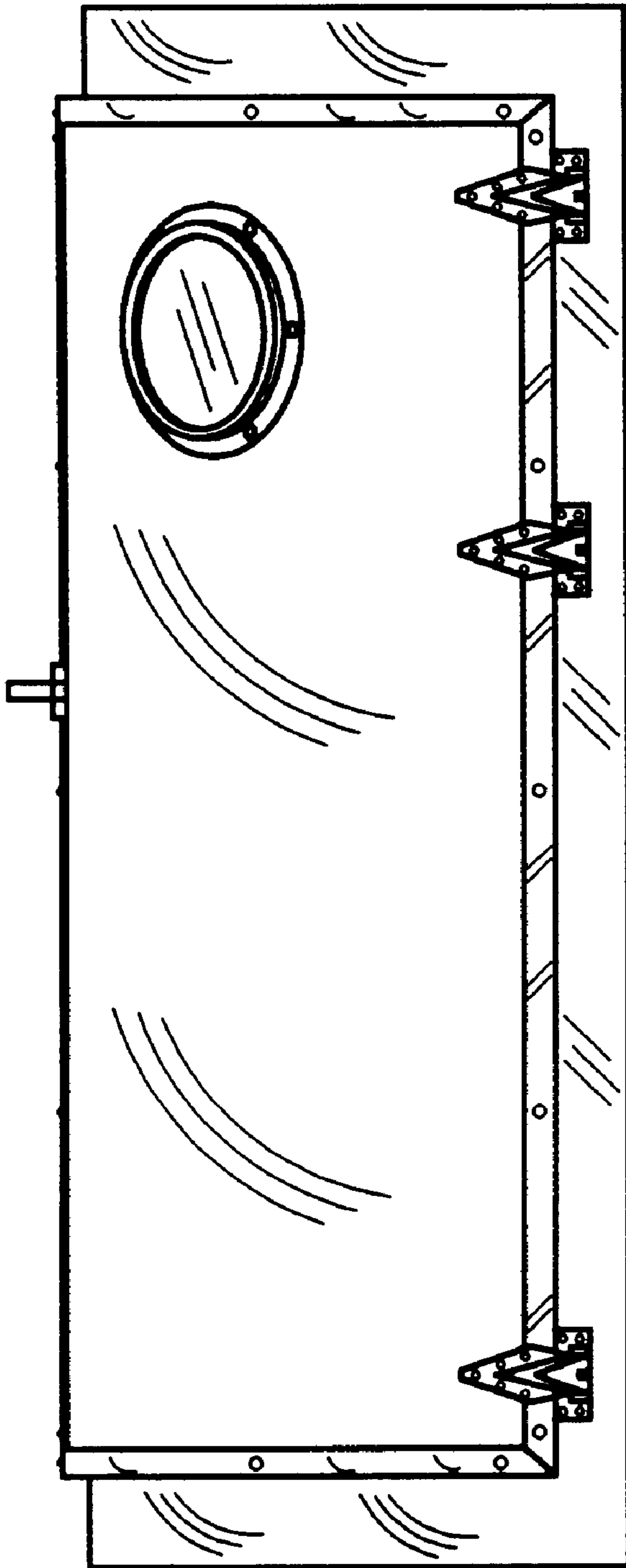


FIG. 3

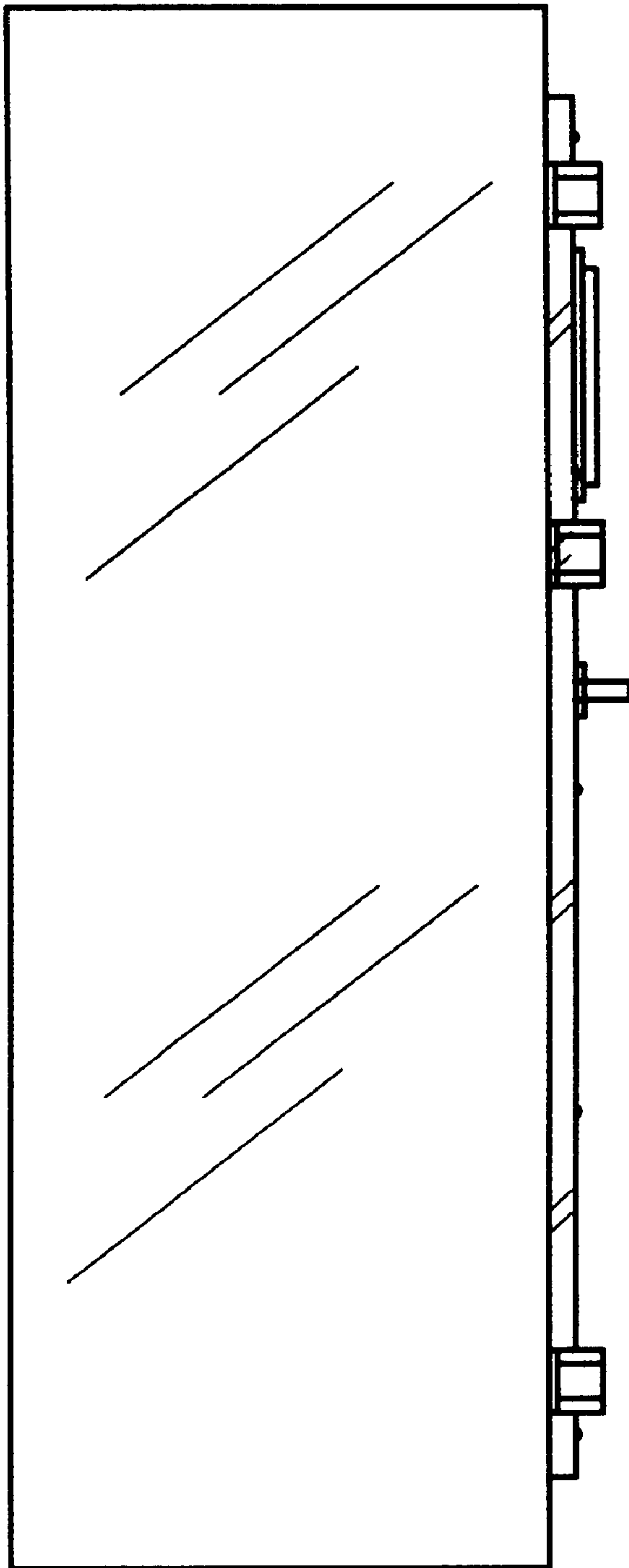


FIG. 4

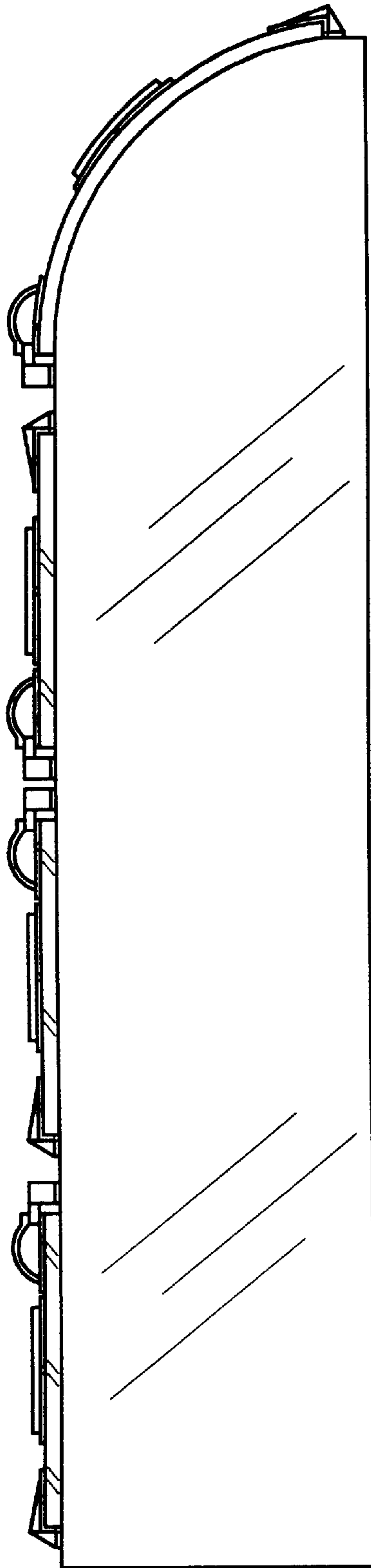


FIG. 5

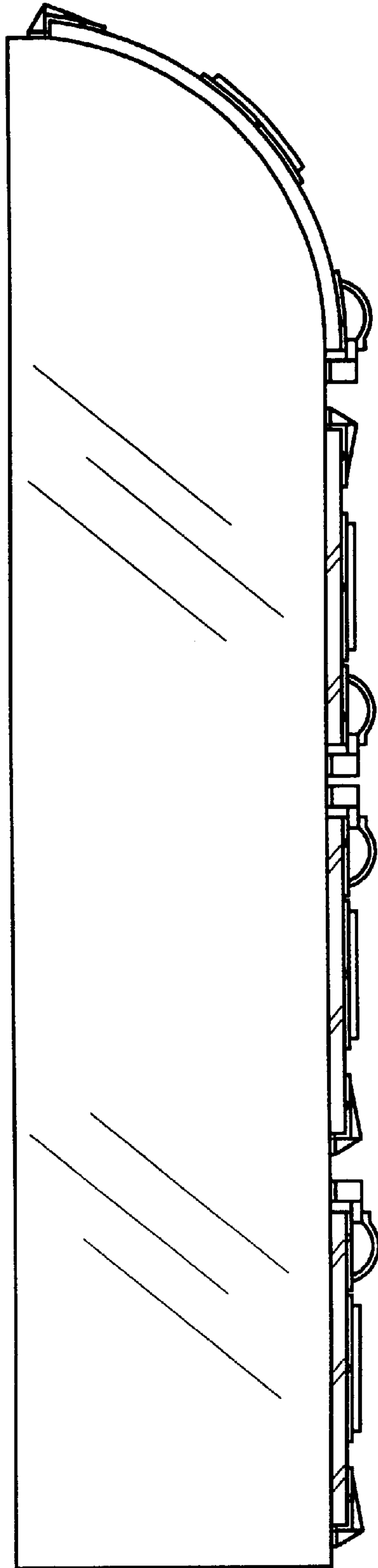


FIG. 6

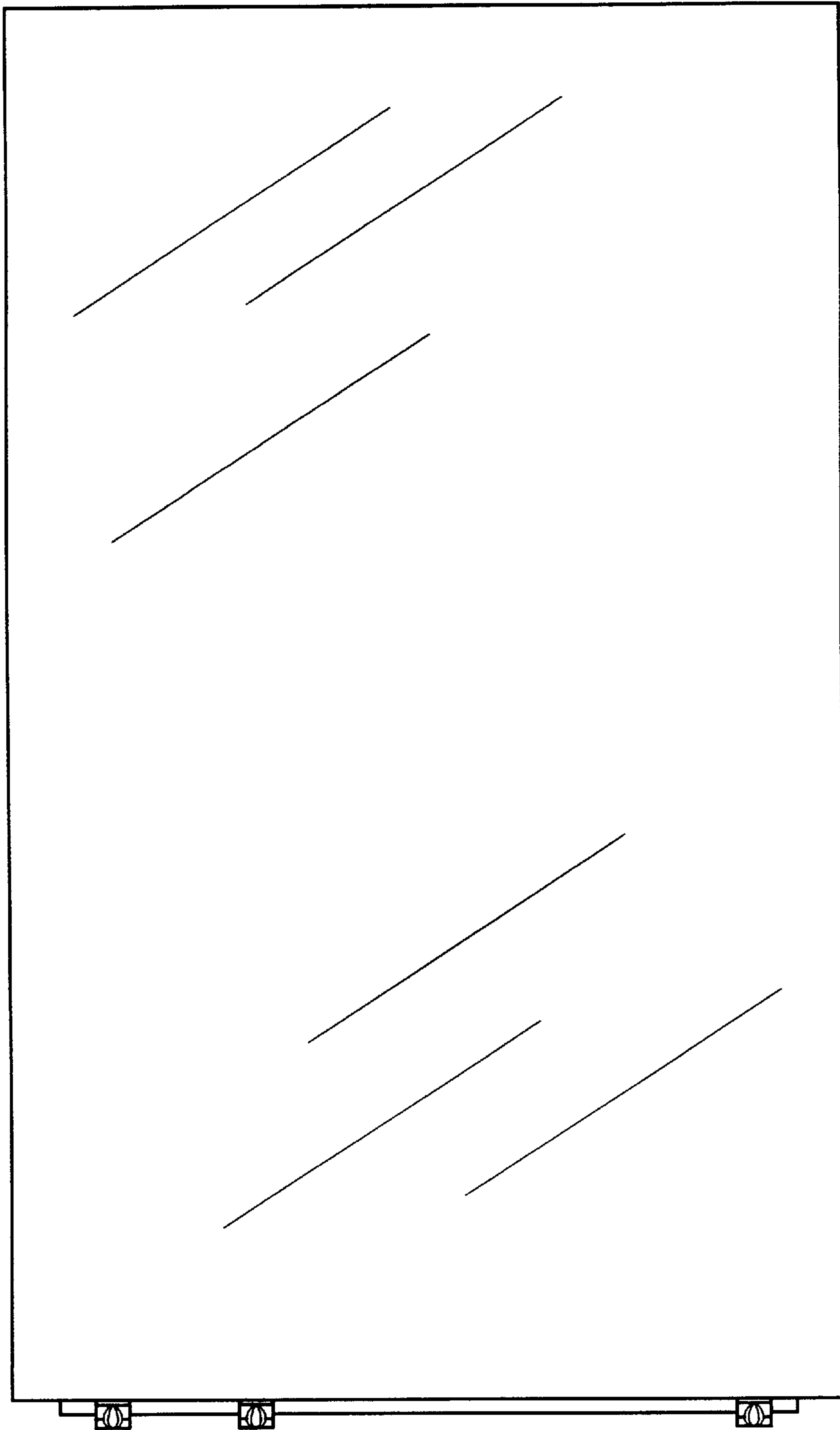


FIG. 7