



US00D439066S

(12) **United States Design Patent** (10) **Patent No.:** **US D439,066 S**  
**Hannes et al.** (45) **Date of Patent:** **\*\* Mar. 20, 2001**

(54) **ERGONOMIC CHAIR**

(75) Inventors: **Joseph Hannes**, Franklin, WI (US);  
**Kevin Cherney**, Mt. Prospect, IL (US)

(73) Assignee: **The Brewer Company**, Menomonee Falls, WI (US)

(\*\*) Term: **14 Years**

(21) Appl. No.: **29/066,999**

(22) Filed: **Feb. 20, 1997**

(51) **LOC (7) Cl.** ..... **06-01**

(52) **U.S. Cl.** ..... **D6/366**

(58) **Field of Search** ..... D6/334, 335, 336,  
D6/360, 364, 365, 366, 367, 379, 380,  
500, 501, 502; 297/411.36, 423.1, 423.38

(56) **References Cited**

**U.S. PATENT DOCUMENTS**

D. 233,807	*	12/1974	Ruf	.....	D6/366
D. 266,291	*	9/1982	Leffler et al.	.....	D6/366
D. 267,680	*	1/1983	Leffler et al.	.....	D6/366
D. 274,958	*	8/1984	Aronowitz et al.	.....	D6/360

\* cited by examiner

*Primary Examiner*—Gary D. Watson

(74) *Attorney, Agent, or Firm*—Ryan Kromholz & Manion, S.C.

(57) **CLAIM**

The ornamental design for an ergonomic chair, as shown and described.

**DESCRIPTION**

FIG. 1 is a front elevational view of a first embodiment of our design of an ergonomic chair with the body support member in the closed position.

FIG. 2 is a front elevational view of the first embodiment of our invention with the body support member in the open position.

FIG. 3 is a left side view of the first embodiment of our invention with the body support member in the closed position.

FIG. 4 is a left side view of the first embodiment of our invention with the body support member in the open position.

FIG. 5 is a right side view of the first embodiment of our invention with the body support member in the closed position.

FIG. 6 is a right side view of the first embodiment of our invention with the body support member in the open position.

FIG. 7 is a rear elevational view of the first embodiment of our invention.

FIG. 8 is a top plan view of the first embodiment of our invention with the body support member in the closed position.

FIG. 9 is a first perspective view of the first embodiment of our invention with the body support member in the closed position.

FIG. 10 is a second perspective view of the first embodiment of our invention with the body support member in the closed position.

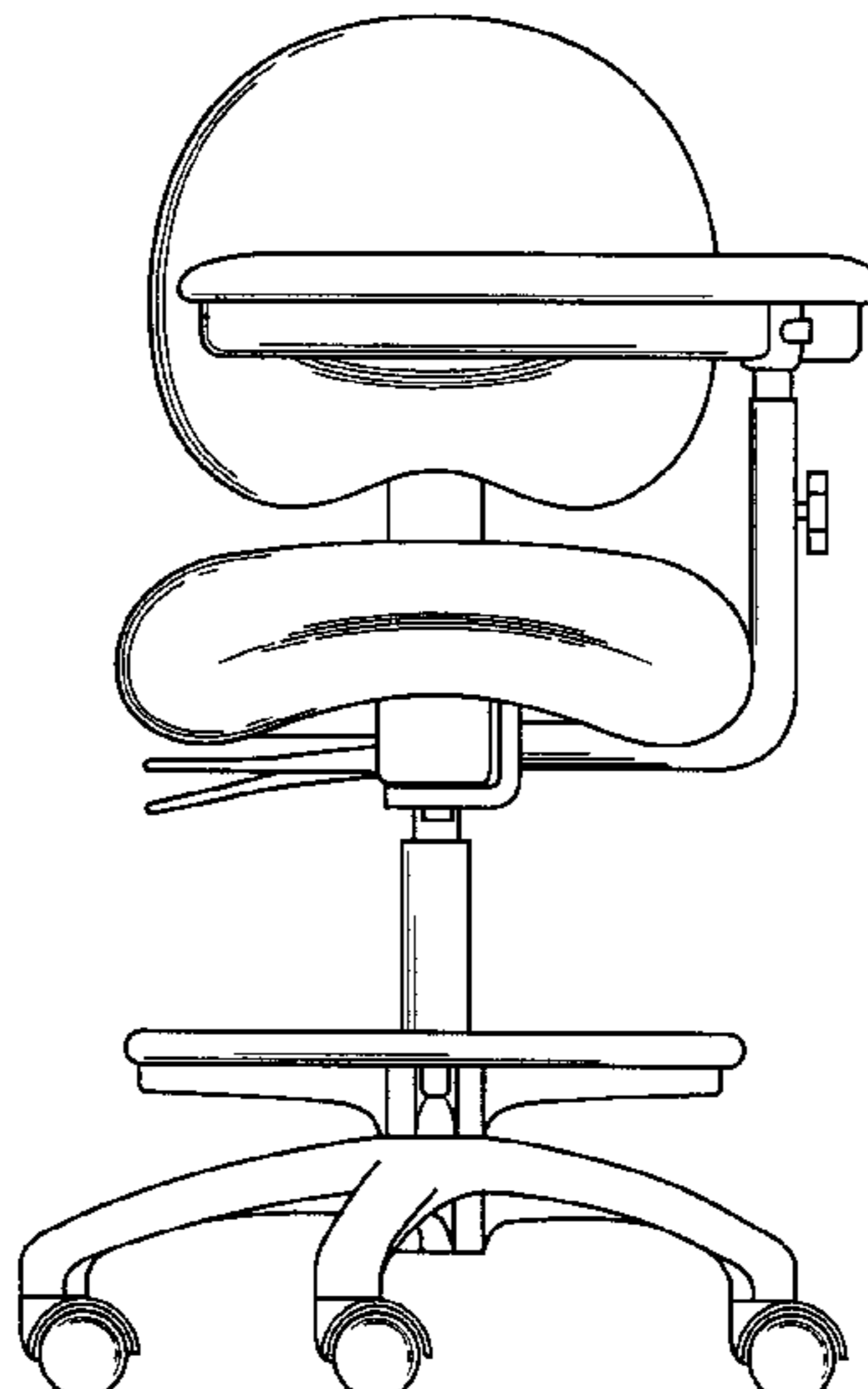
FIG. 11 is a front elevational view of a second embodiment of our design of an ergonomic chair.

FIG. 12 is a left side view of the second embodiment of our invention.

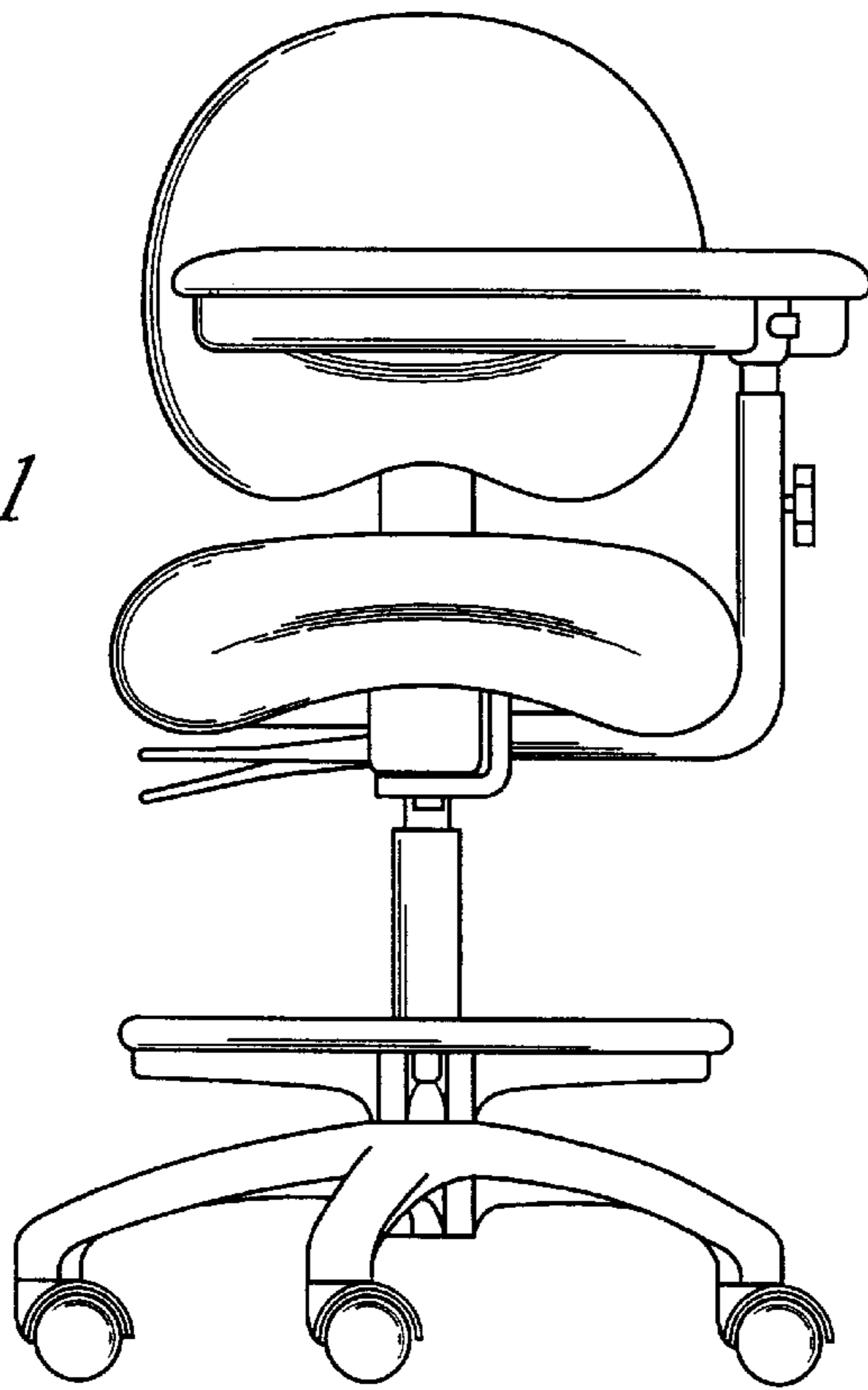
FIG. 13 is a right side view of the second embodiment of our invention; and,

FIG. 14 is a rear elevational view of the second embodiment of our invention.

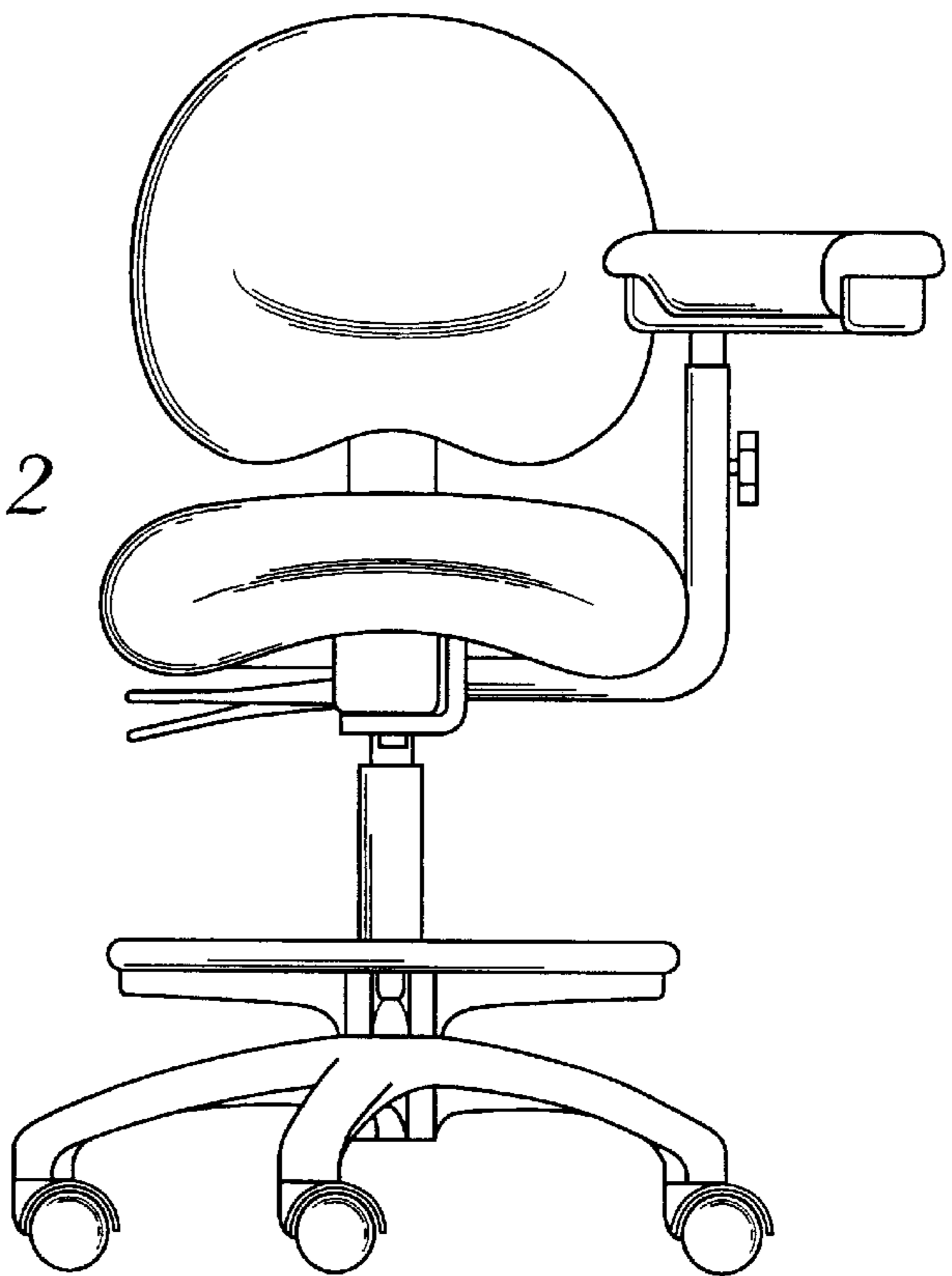
**1 Claim, 7 Drawing Sheets**

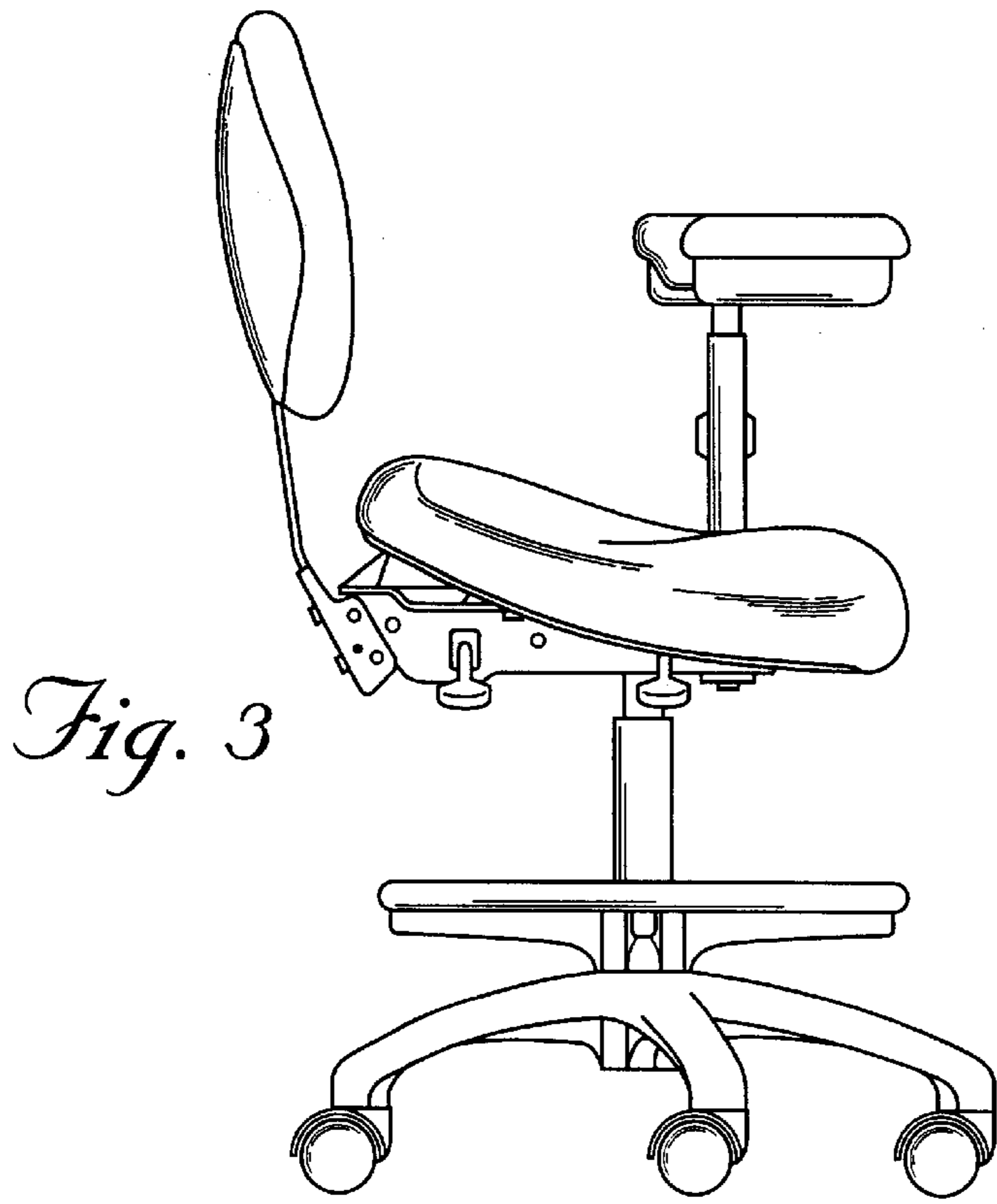


*Fig. 1*

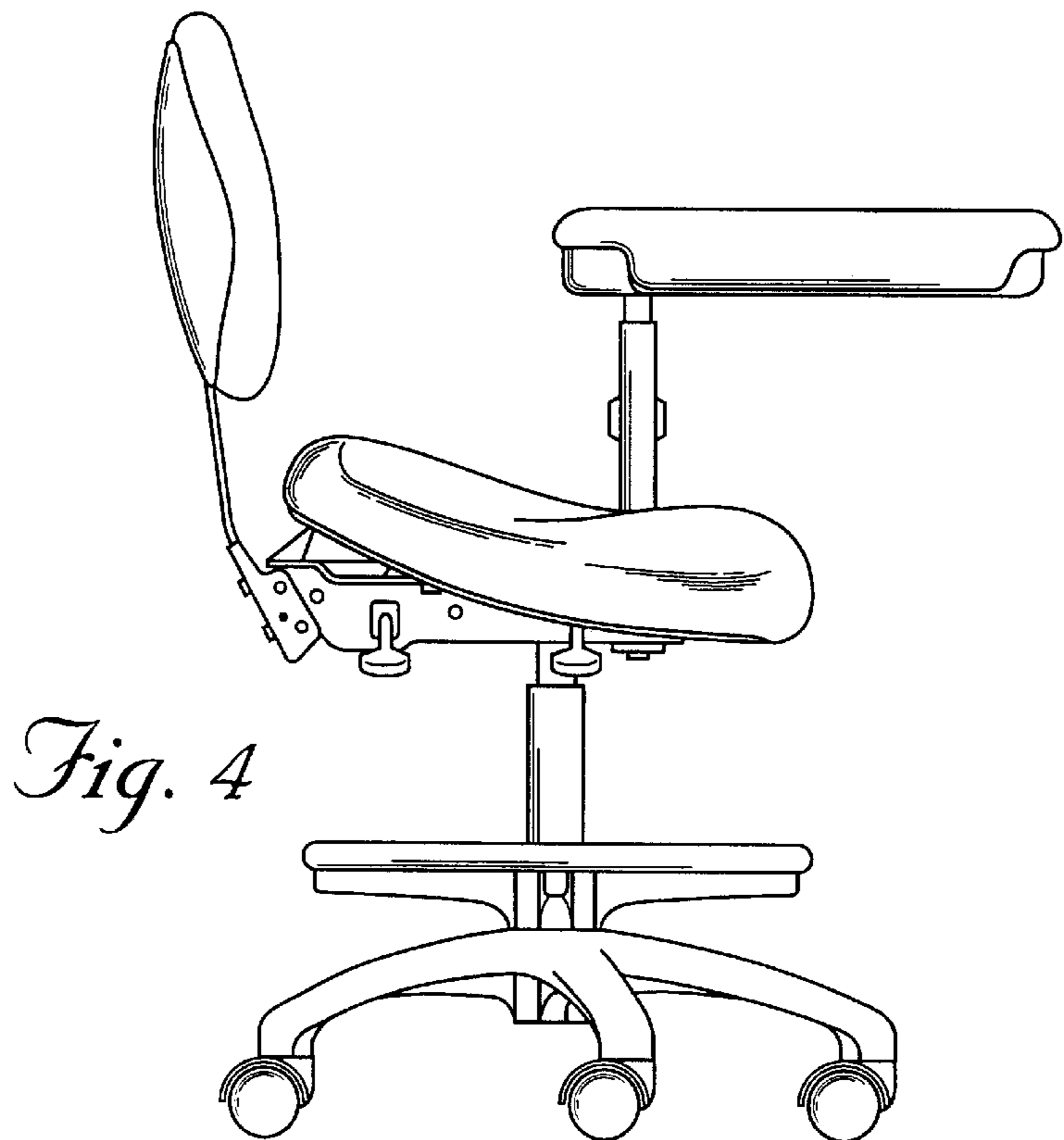


*Fig. 2*



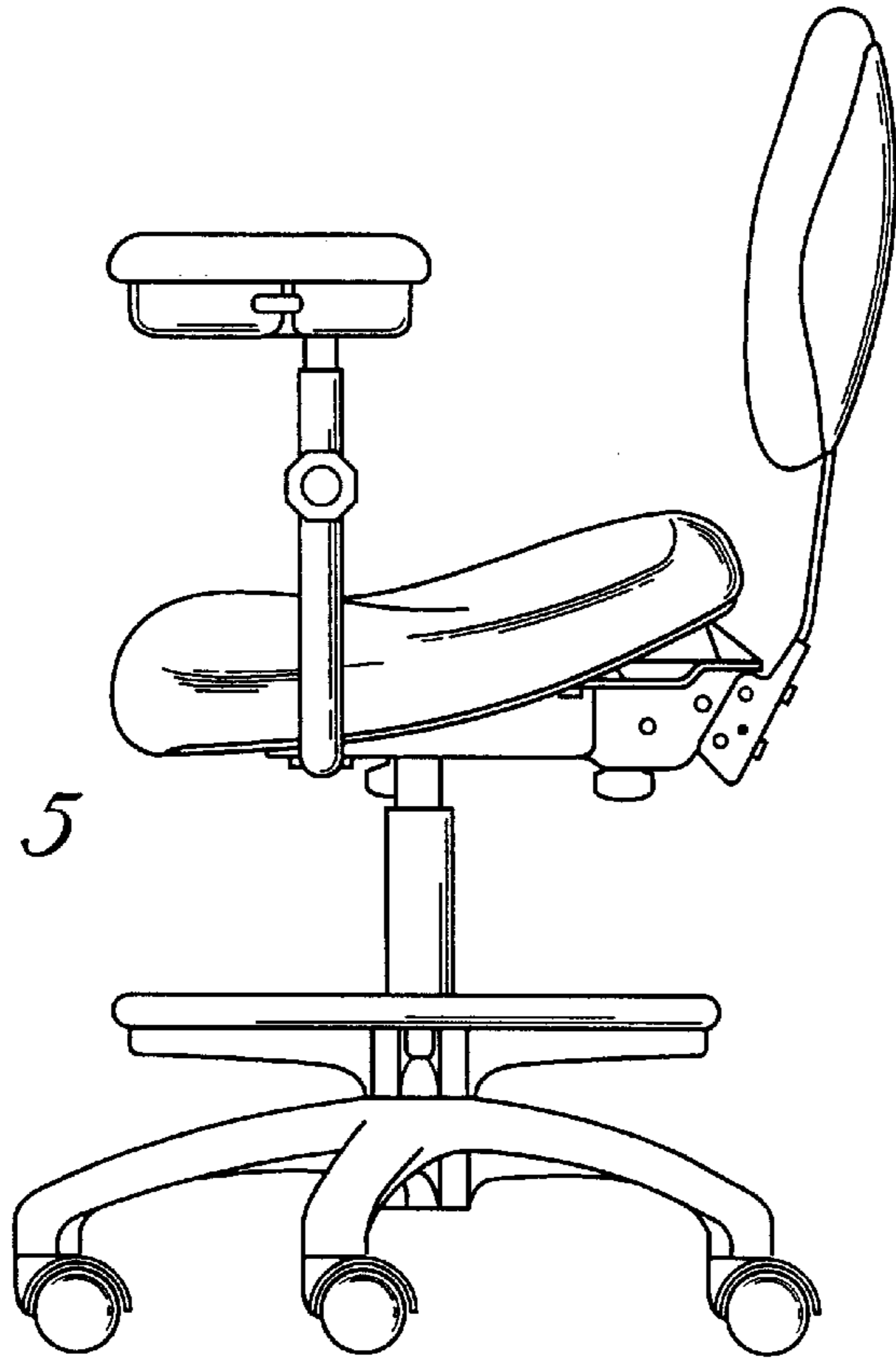


*Fig. 3*

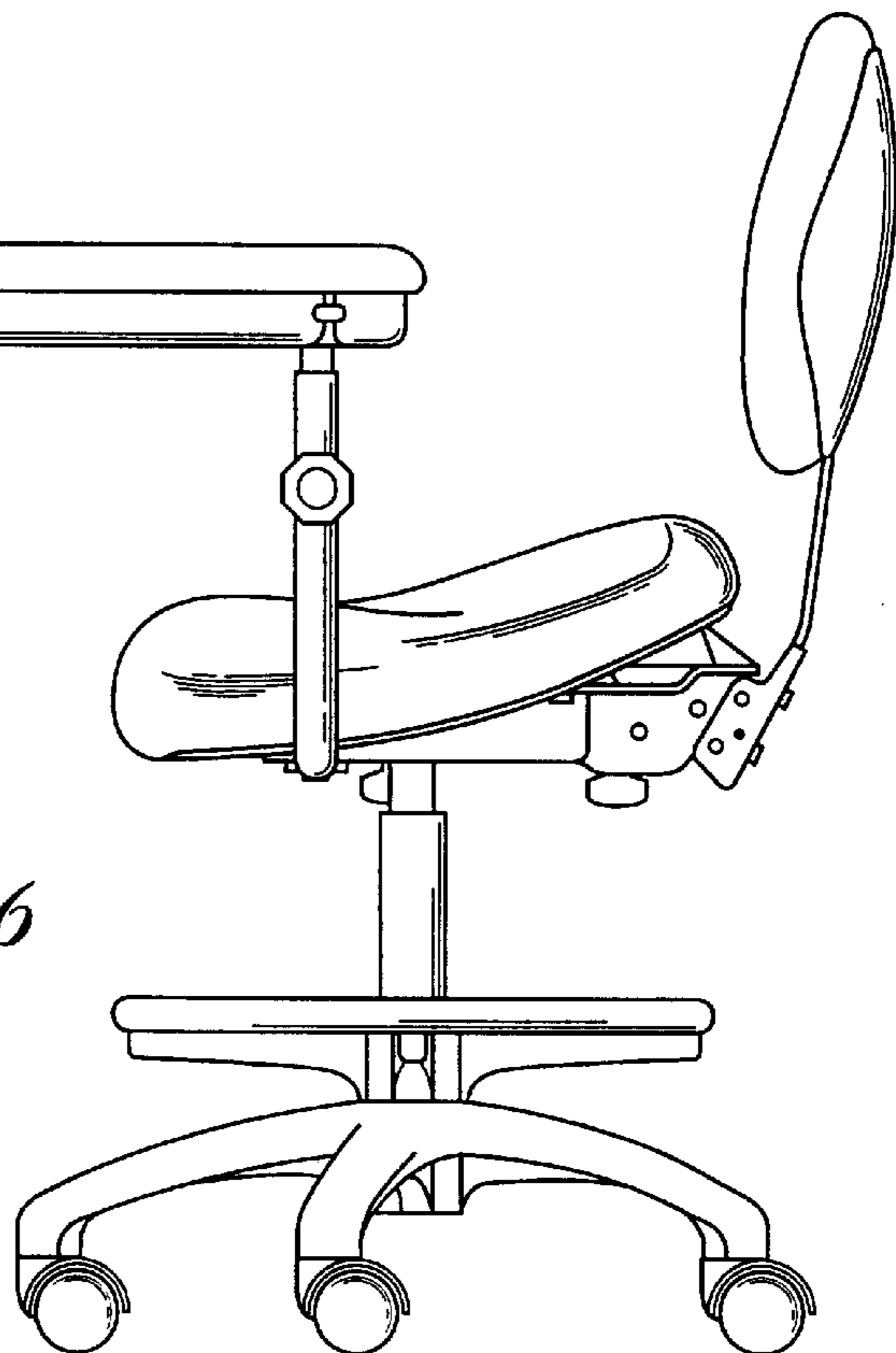


*Fig. 4*

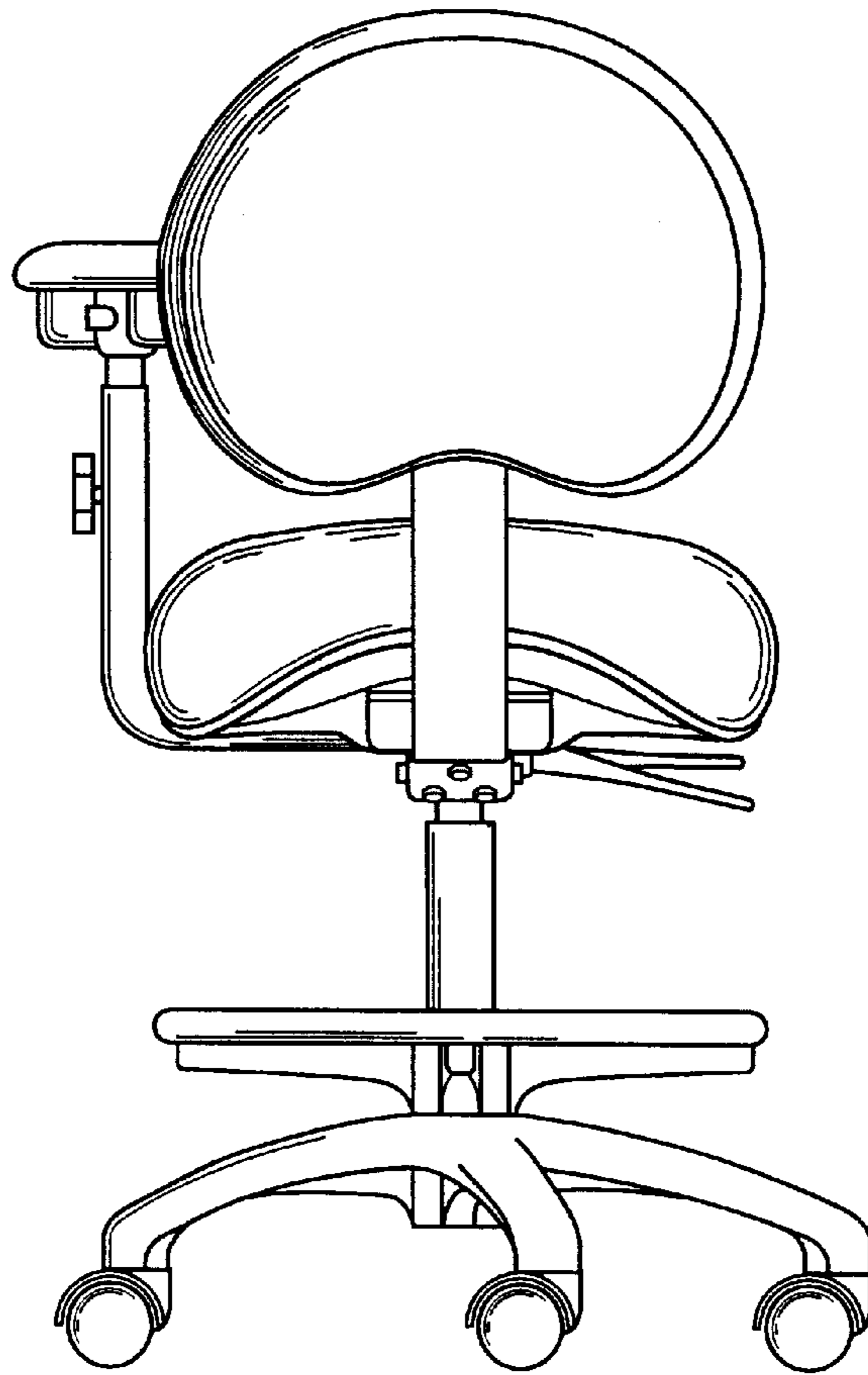
*Fig. 5*



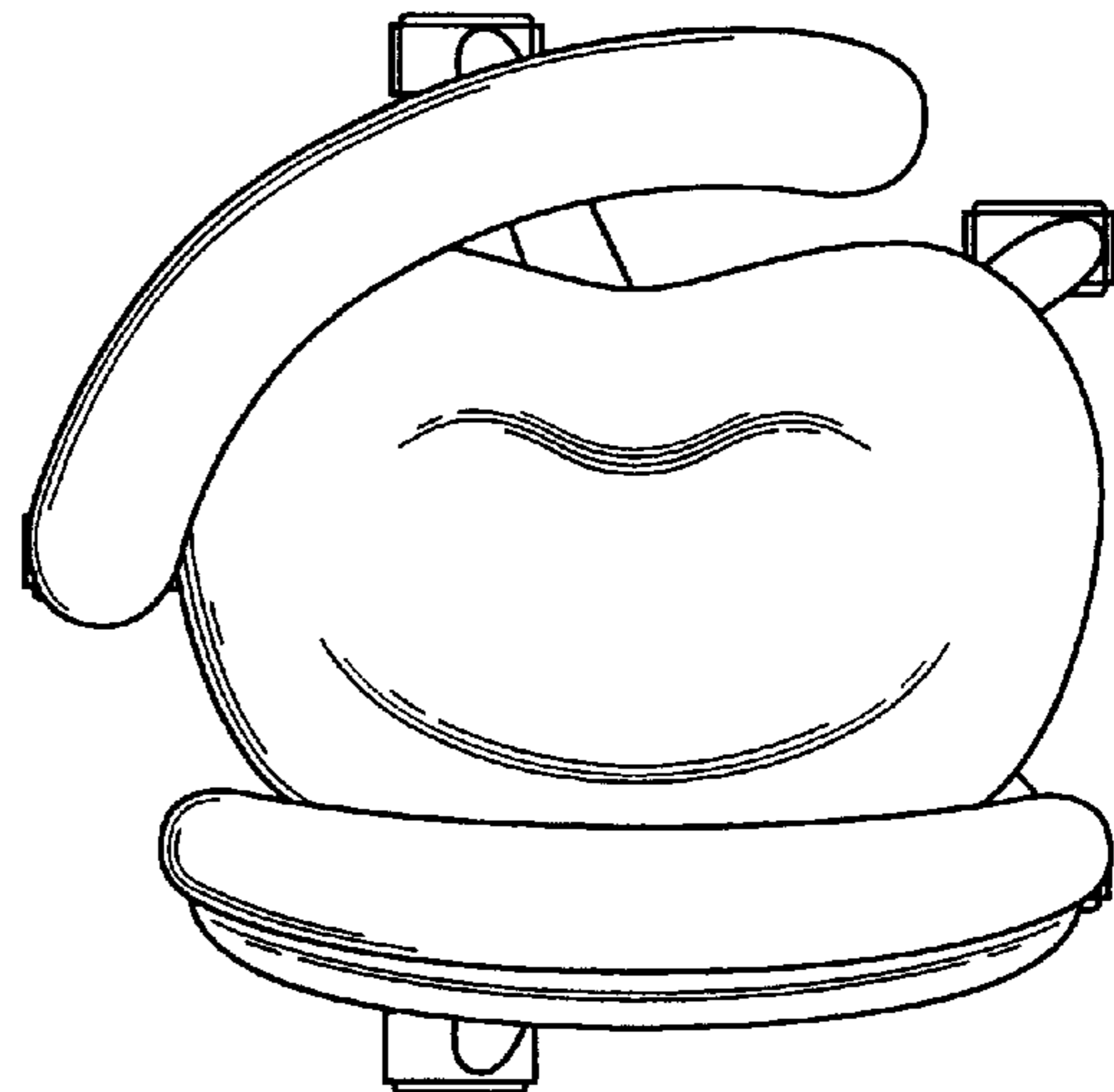
*Fig. 6*

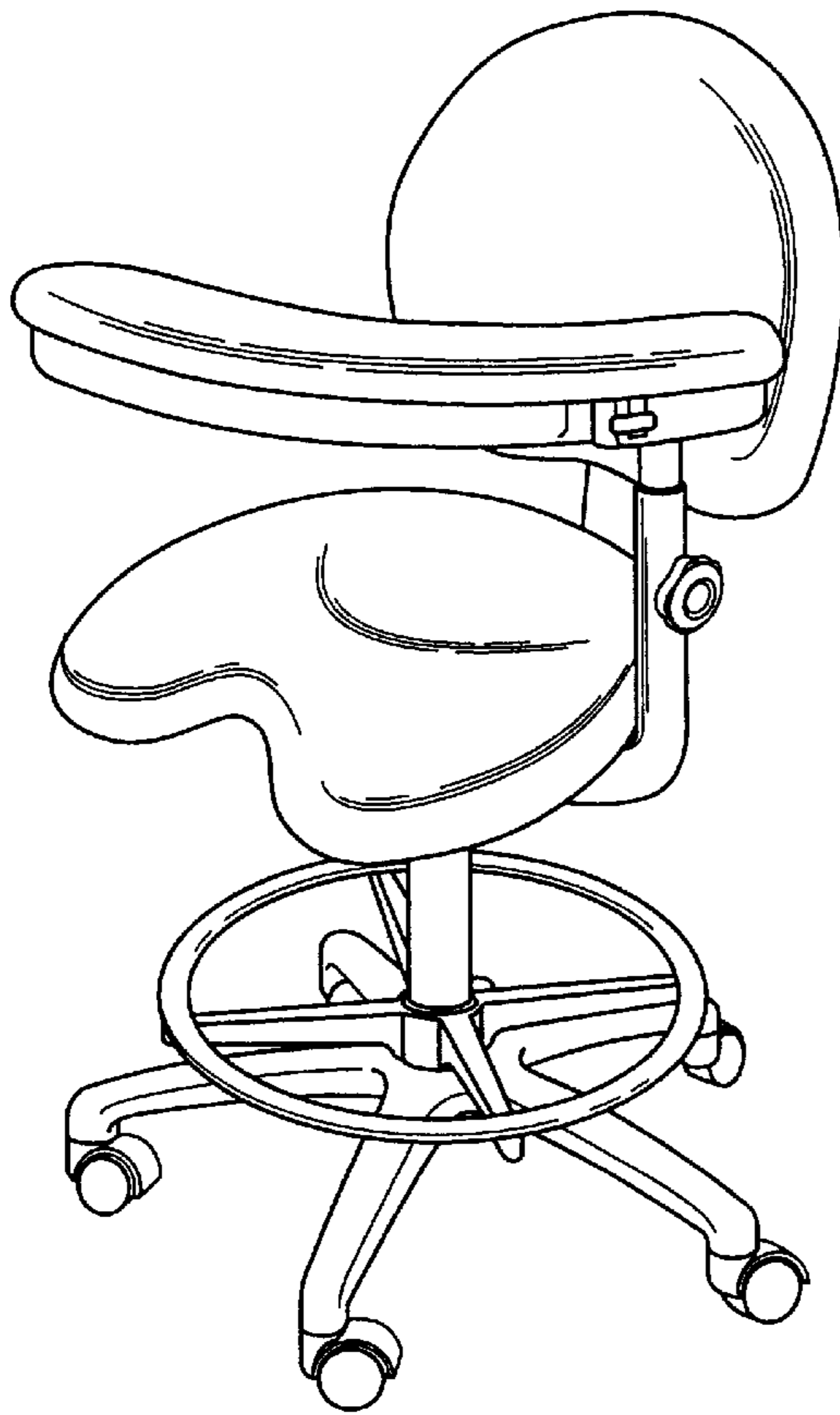


*Fig. 7*

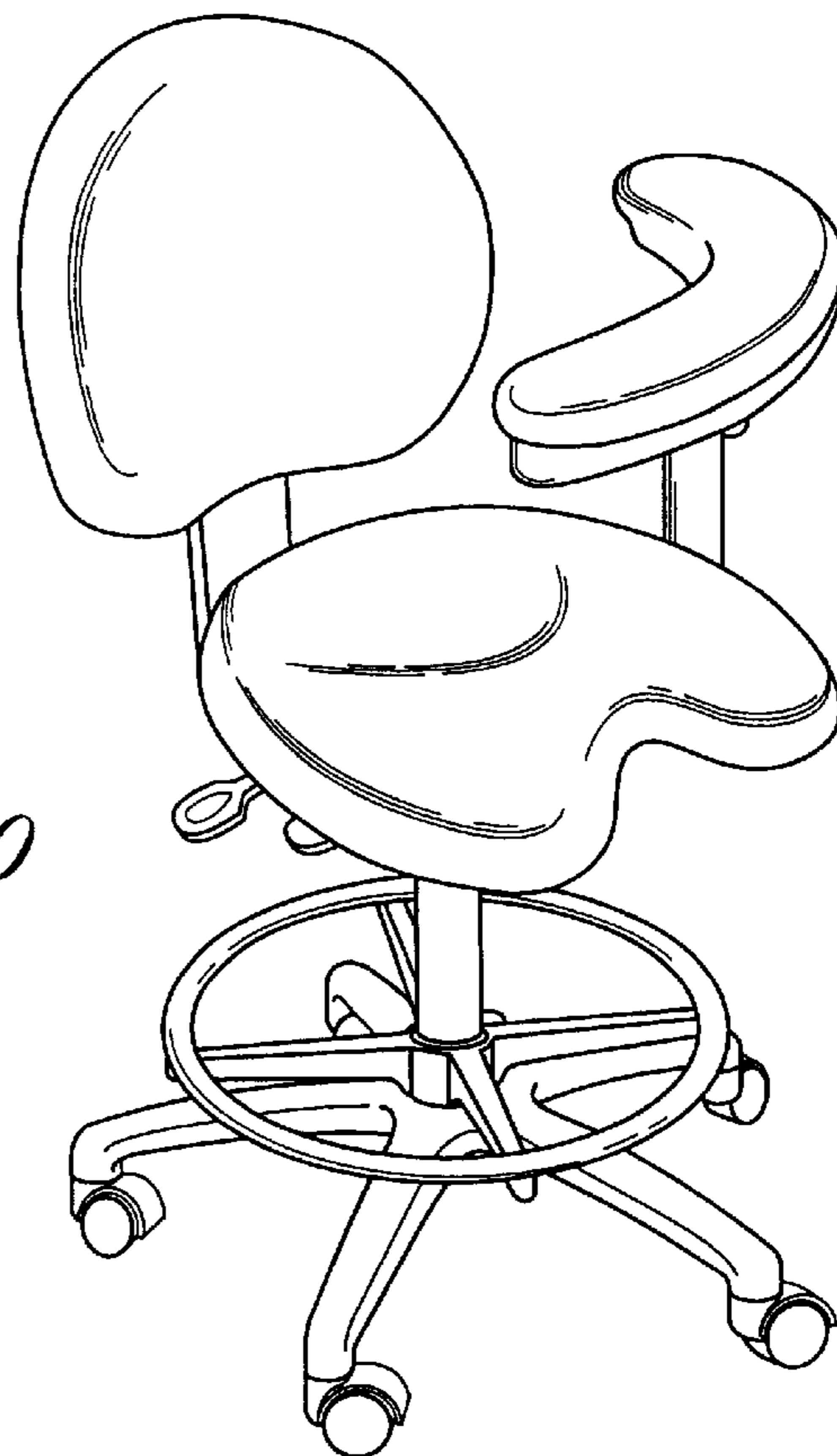


*Fig. 8*



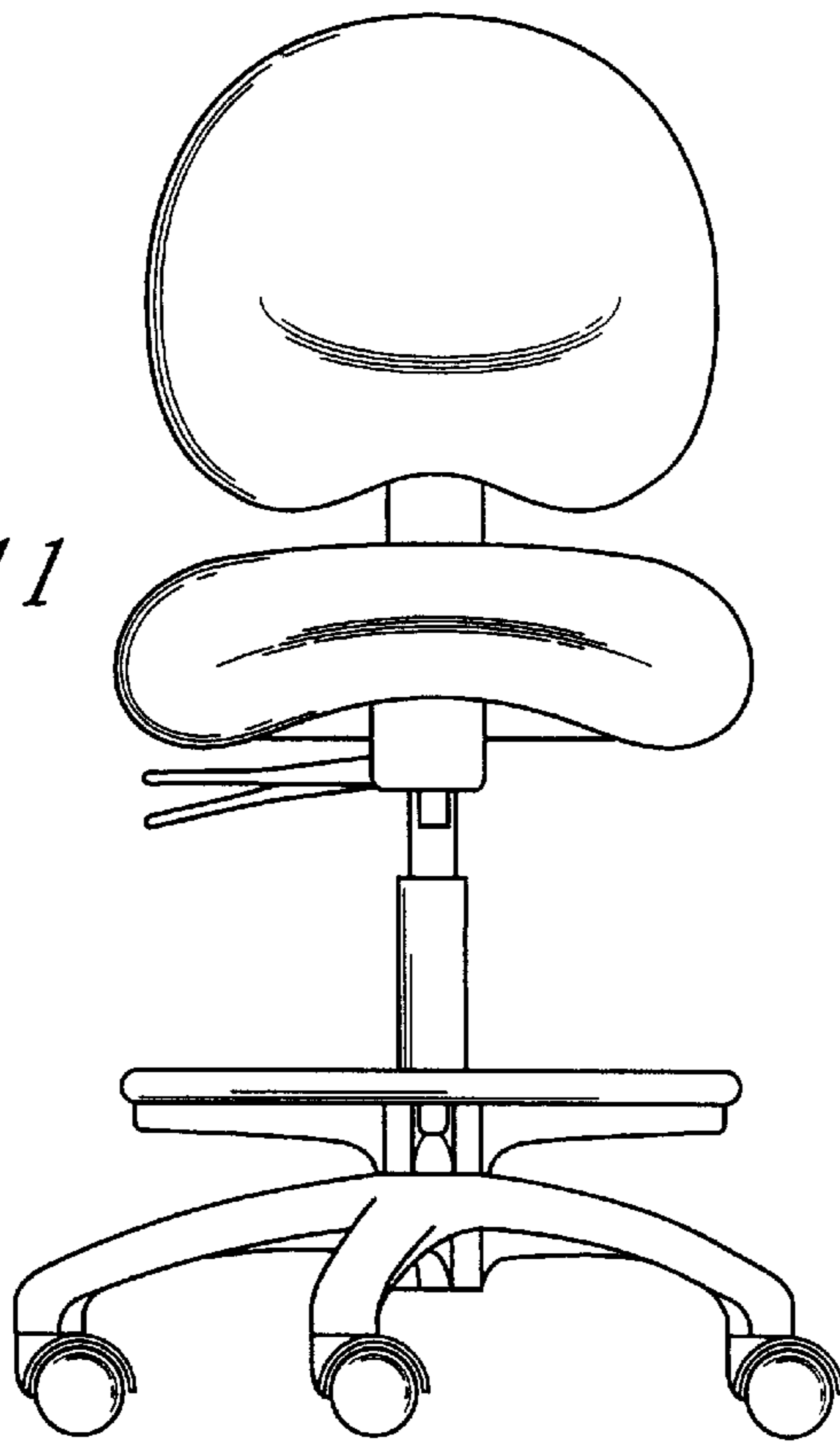


*Fig. 9*

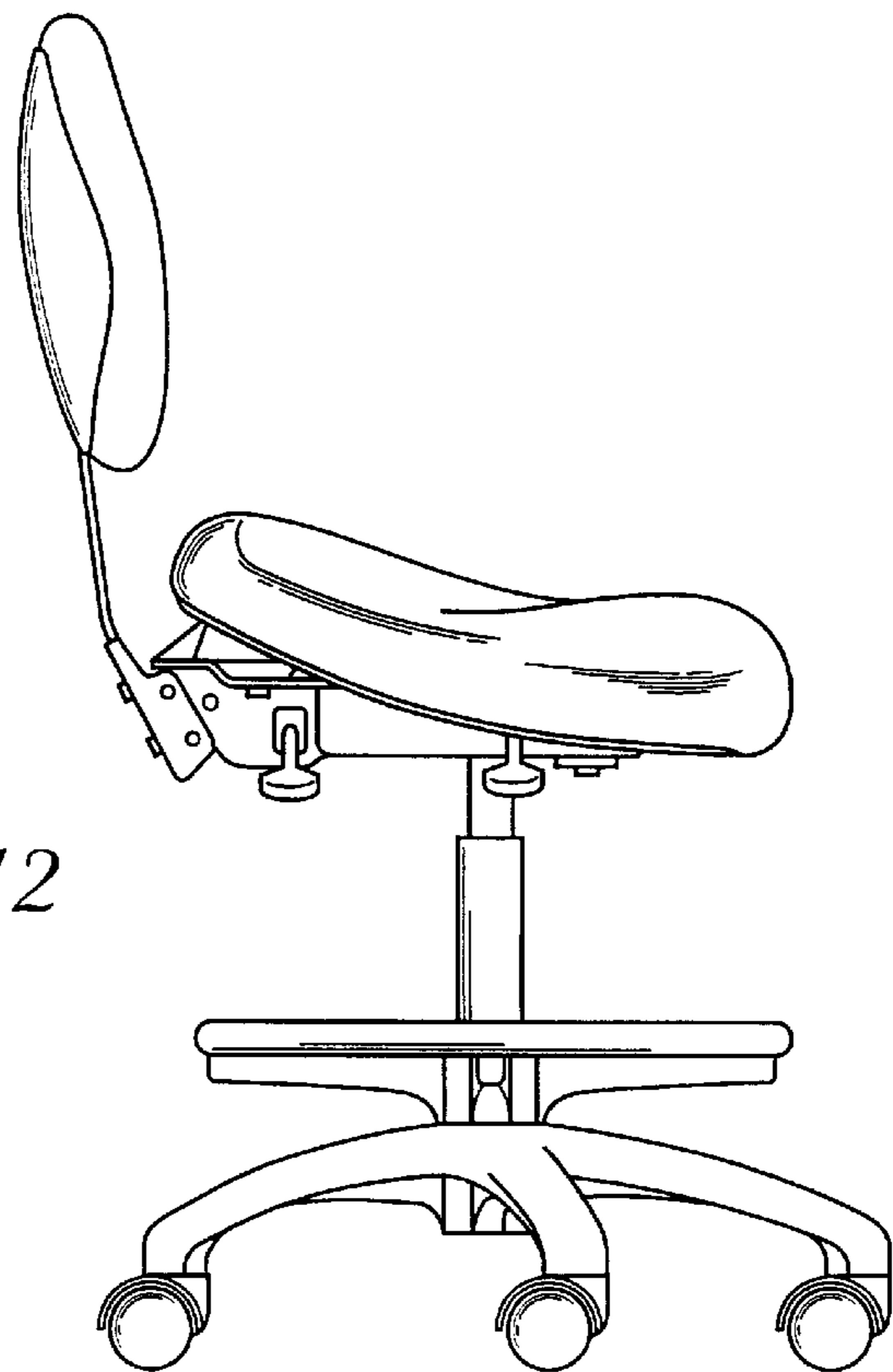


*Fig. 10*

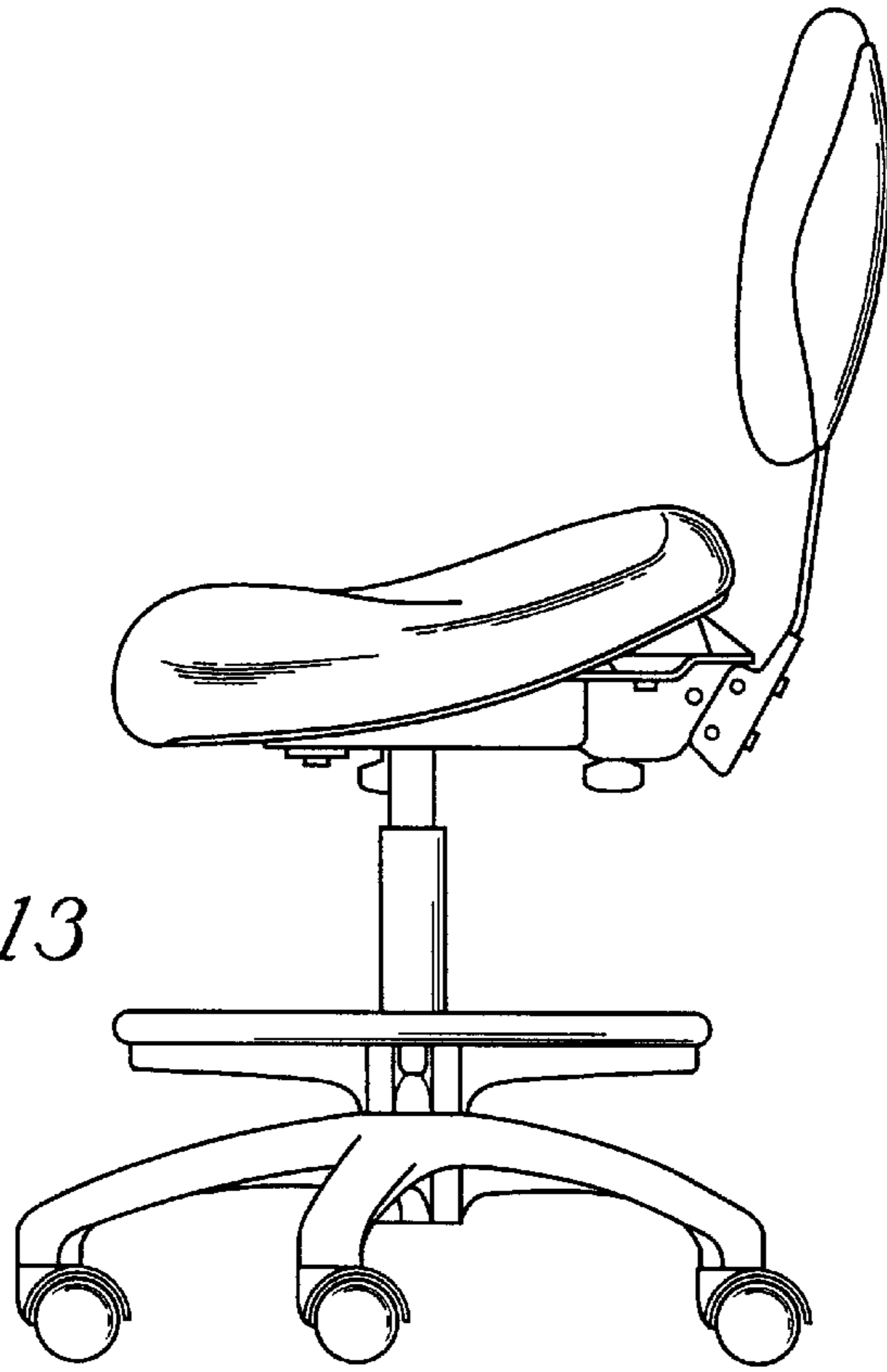
*Fig. 11*



*Fig. 12*



*Fig. 13*



*Fig. 14*

