



US00D439065S

(12) **United States Design Patent**  
**Moser**

(10) **Patent No.:** **US D439,065 S**

(45) **Date of Patent:** **\*\* Mar. 20, 2001**

(54) **CHAIR HAVING A HORSE-SHAPED BACK**

3,759,571 \* 9/1973 Korch ..... 297/445

(76) Inventor: **Samuel R. Moser**, 214 McCaslin Ave.,  
Sweetwater, TN (US) 37874

\* cited by examiner

(\*\*) Term: **14 Years**

*Primary Examiner*—Stacia Cadmus

*Assistant Examiner*—Mimosa De

(74) *Attorney, Agent, or Firm*—Pitts & Brittan, P.C.

(21) Appl. No.: **29/128,014**

(57) **CLAIM**

(22) Filed: **Aug. 17, 2000**

The ornamental design for a chair having a horse-shaped back, as shown and described.

(51) **LOC (7) Cl.** ..... **06-01**

(52) **U.S. Cl.** ..... **D6/359**

(58) **Field of Search** ..... D6/334, 335, 336,  
D6/344, 351, 358, 359, 381, 500–502;  
297/445, 181

**DESCRIPTION**

(56) **References Cited**

**U.S. PATENT DOCUMENTS**

- D. 73,733 \* 10/1927 Yaremenko ..... D6/381
- D. 118,465 \* 1/1940 Wood ..... D6/334
- D. 256,193 \* 8/1980 Collins ..... D6/335
- D. 352,835 \* 11/1994 Lowman ..... D6/334

FIG. 1 is a perspective view of a chair of the present invention;

FIG. 2 is a front elevation view thereof;

FIG. 3 is a rear elevation view thereof;

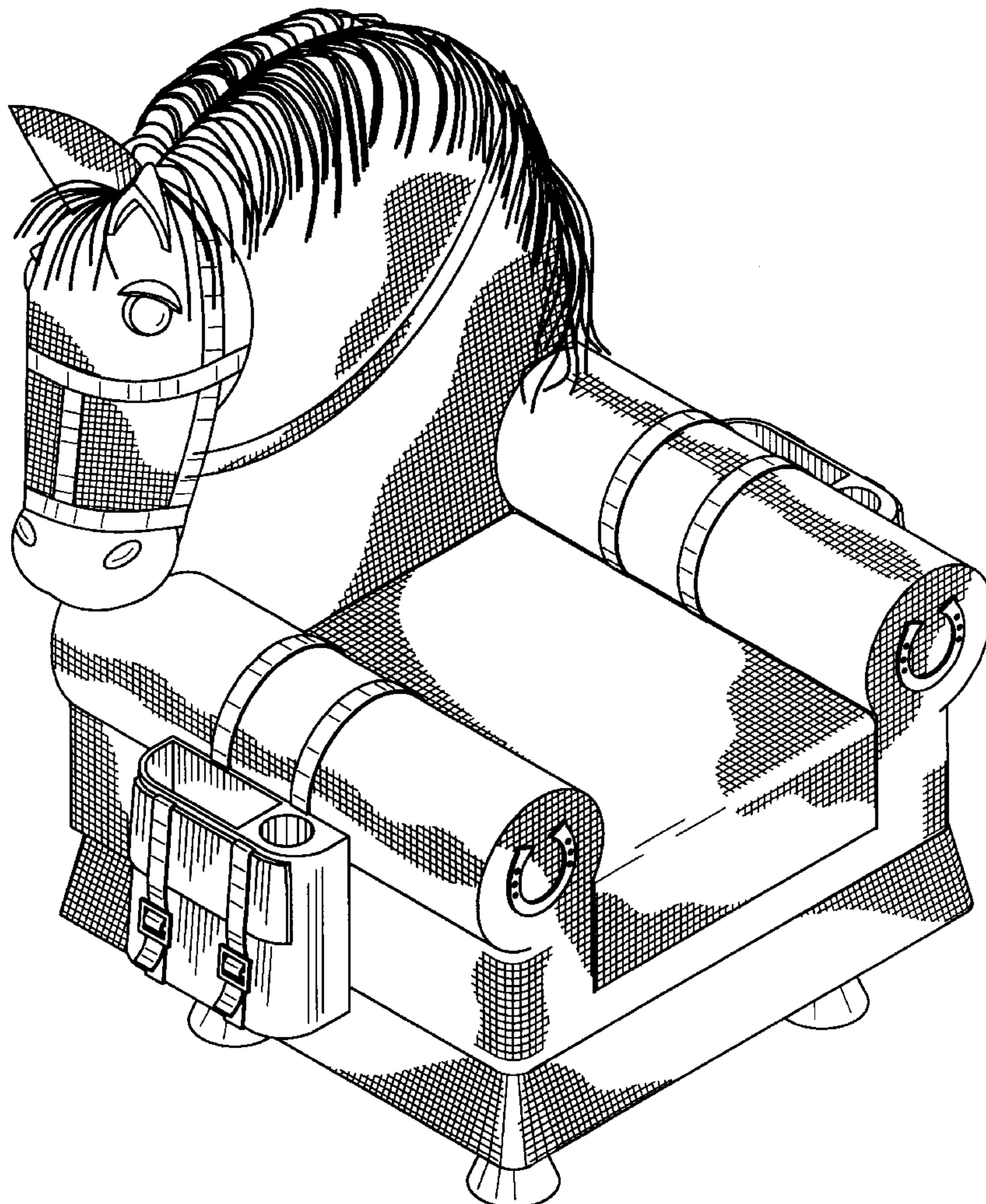
FIG. 4 is a right side elevation view thereof;

FIG. 5 is a left side elevation view thereof;

FIG. 6 is a top plan view thereof; and,

FIG. 7 is a bottom plan view thereof.

**1 Claim, 7 Drawing Sheets**



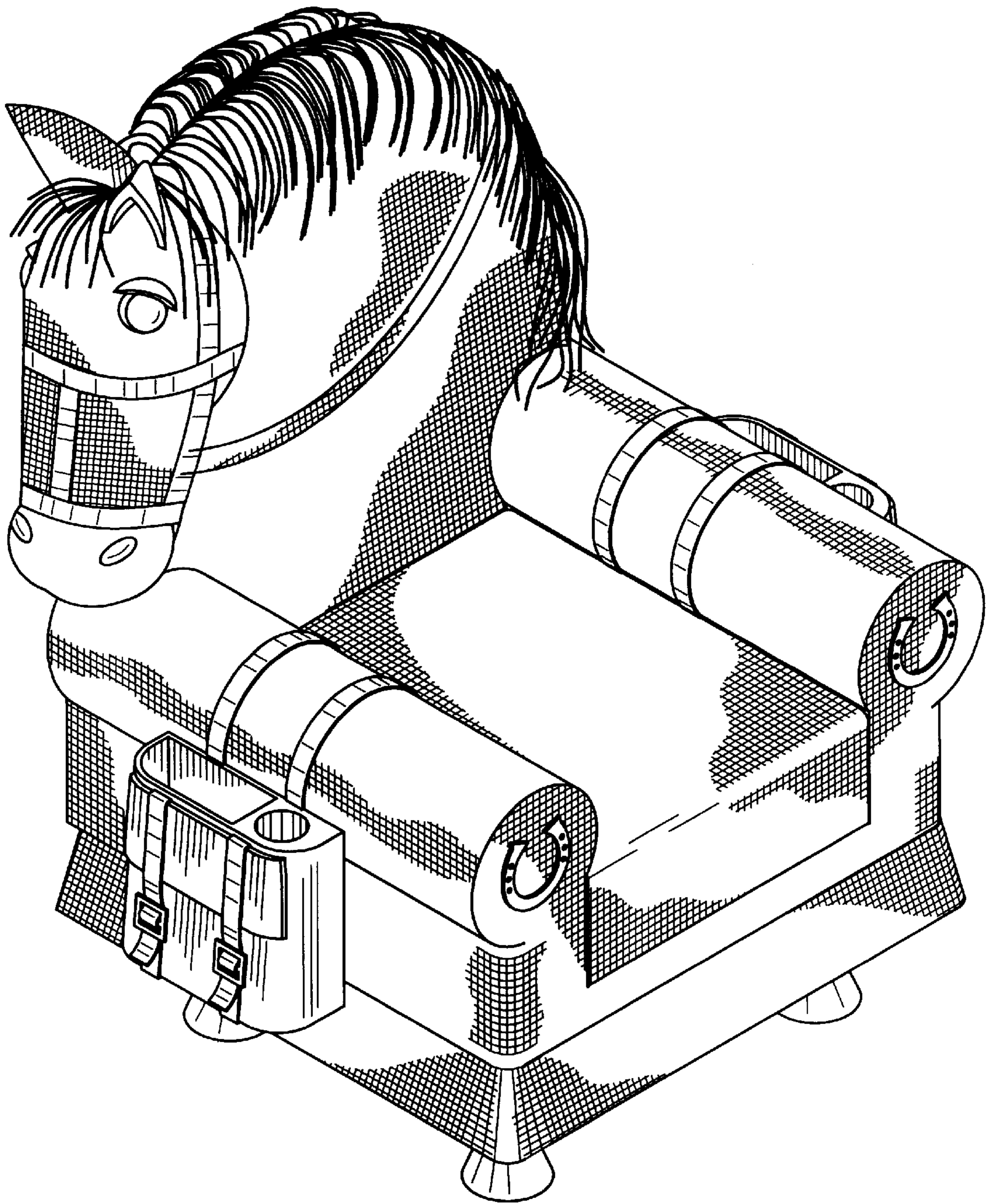


Fig. 1

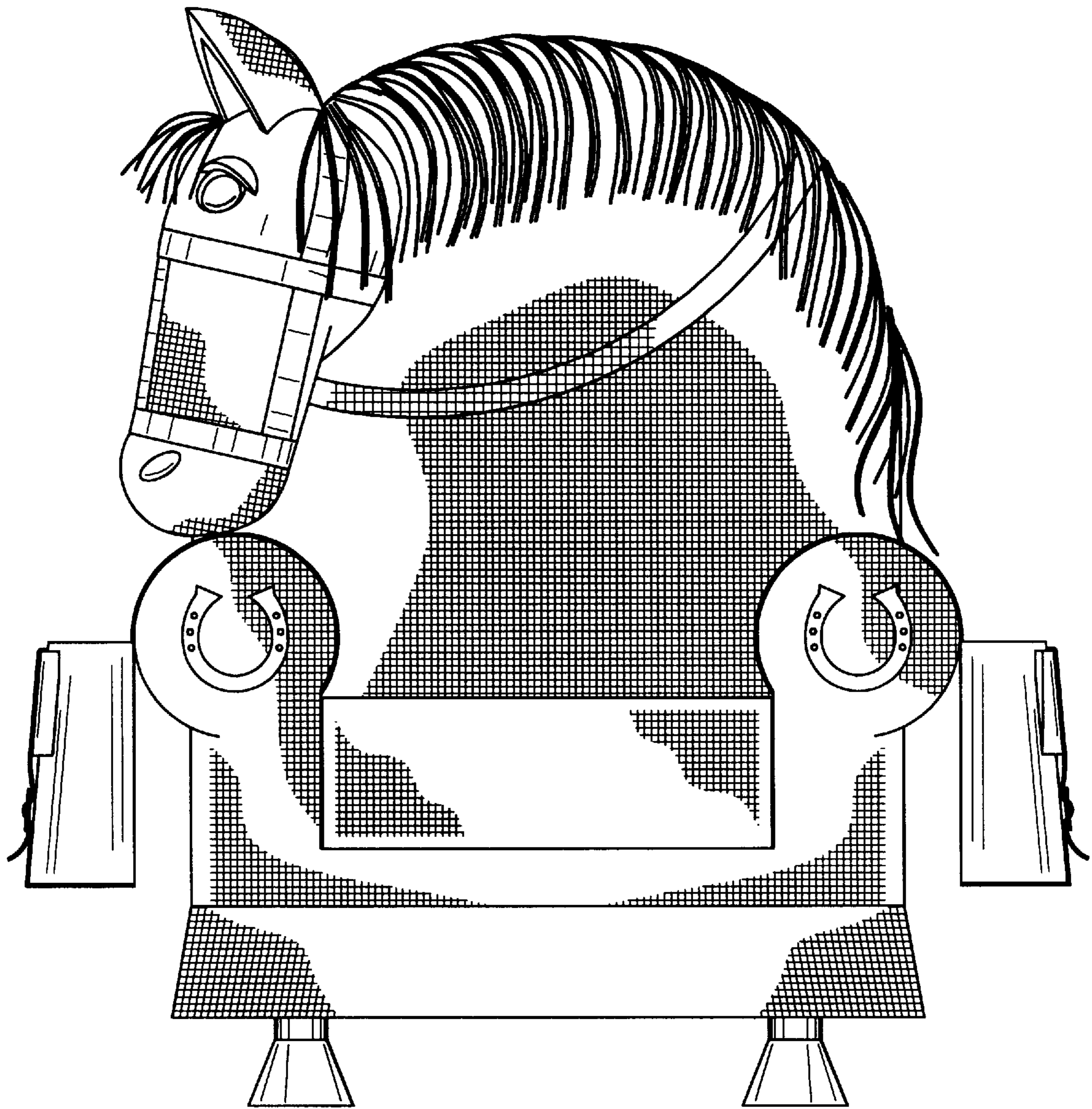


Fig. 2

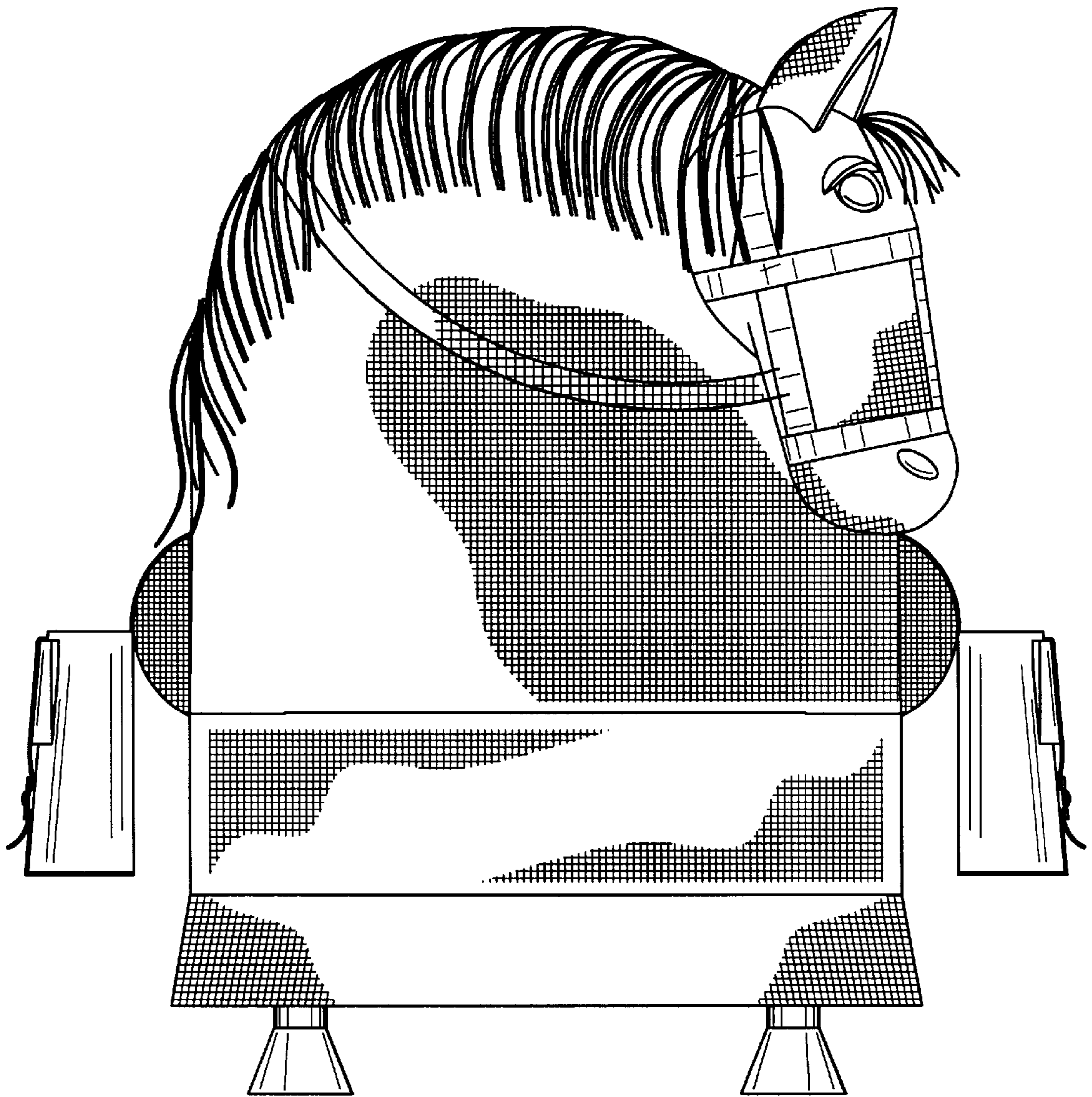


Fig. 3

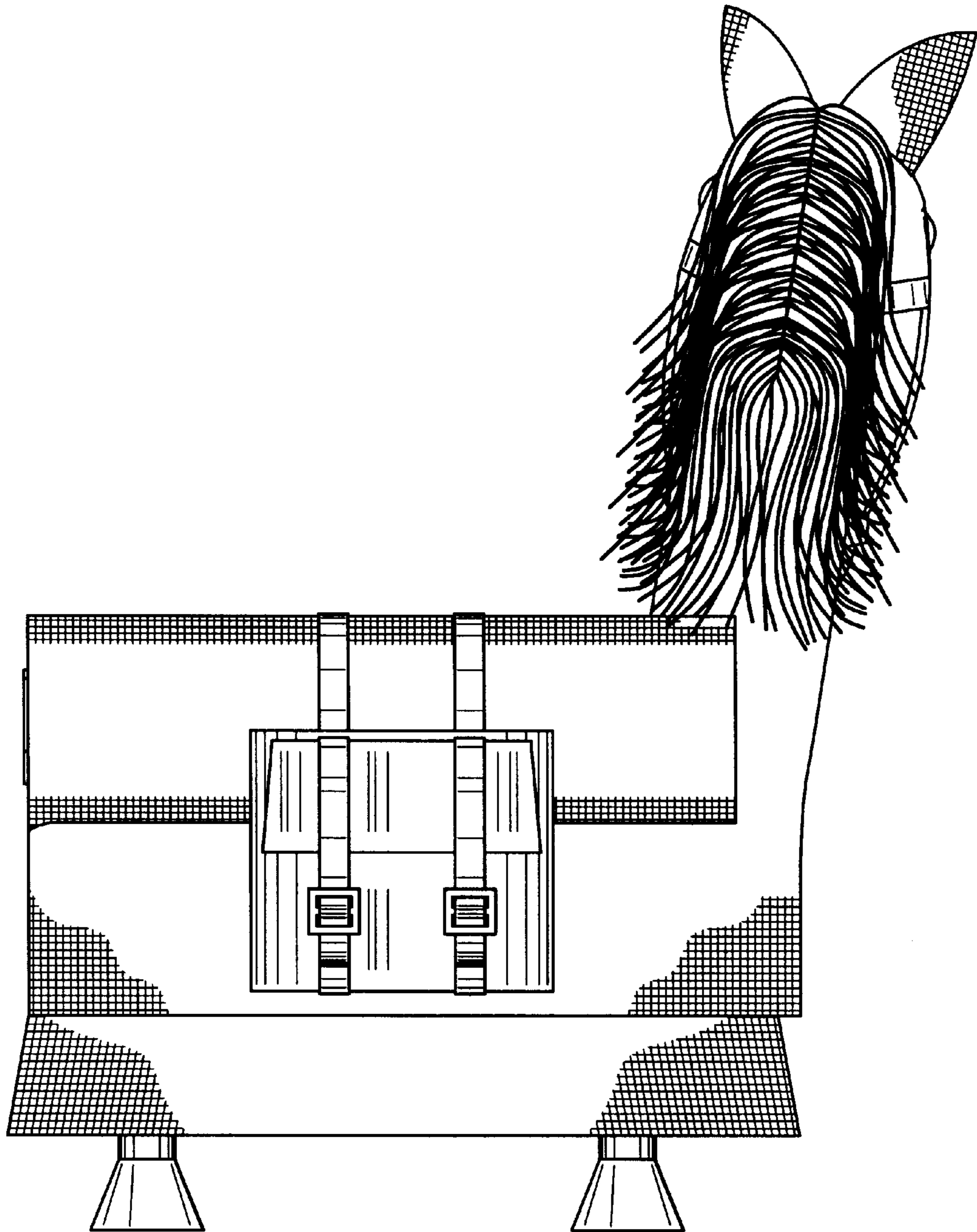


Fig. 4

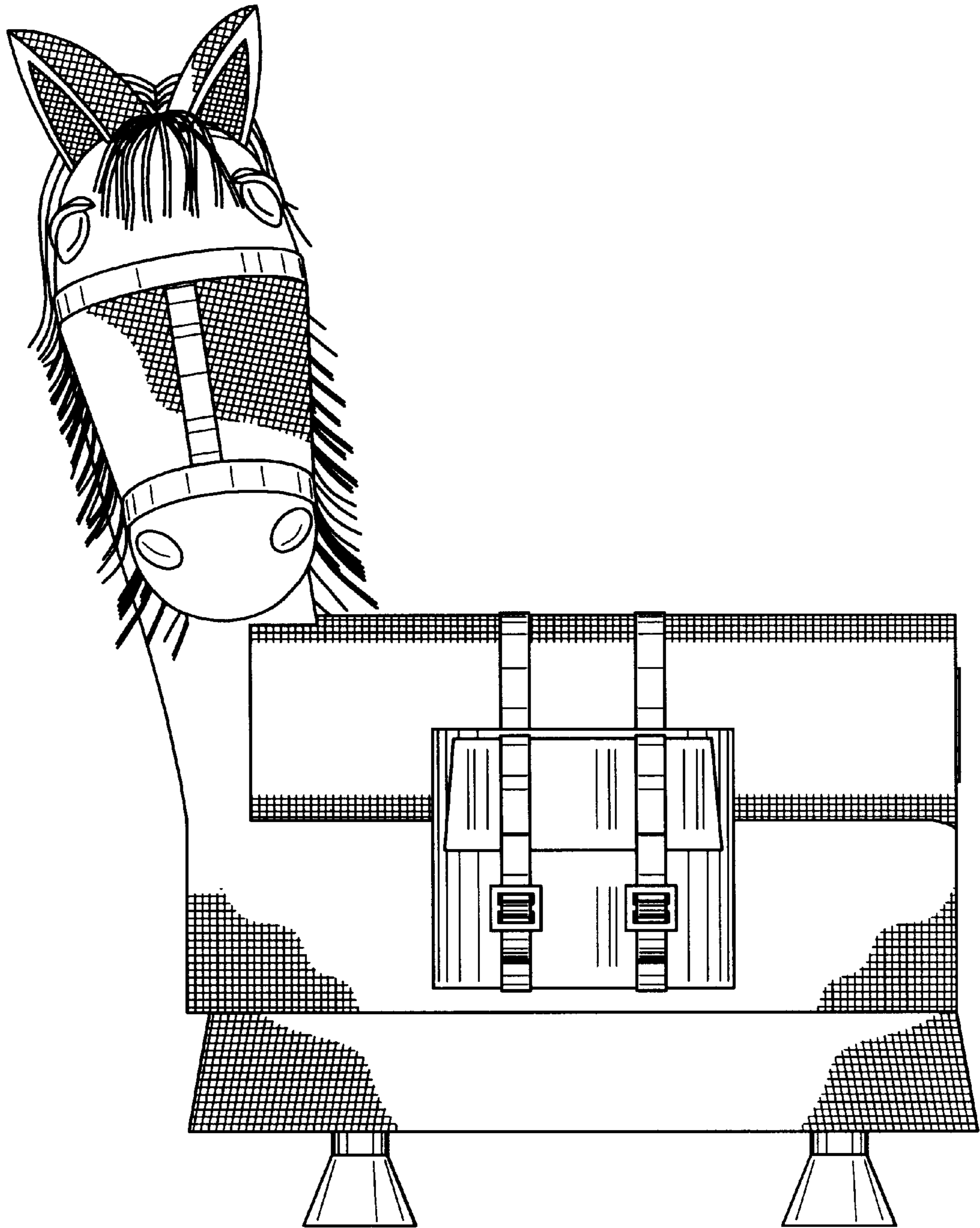


Fig.5

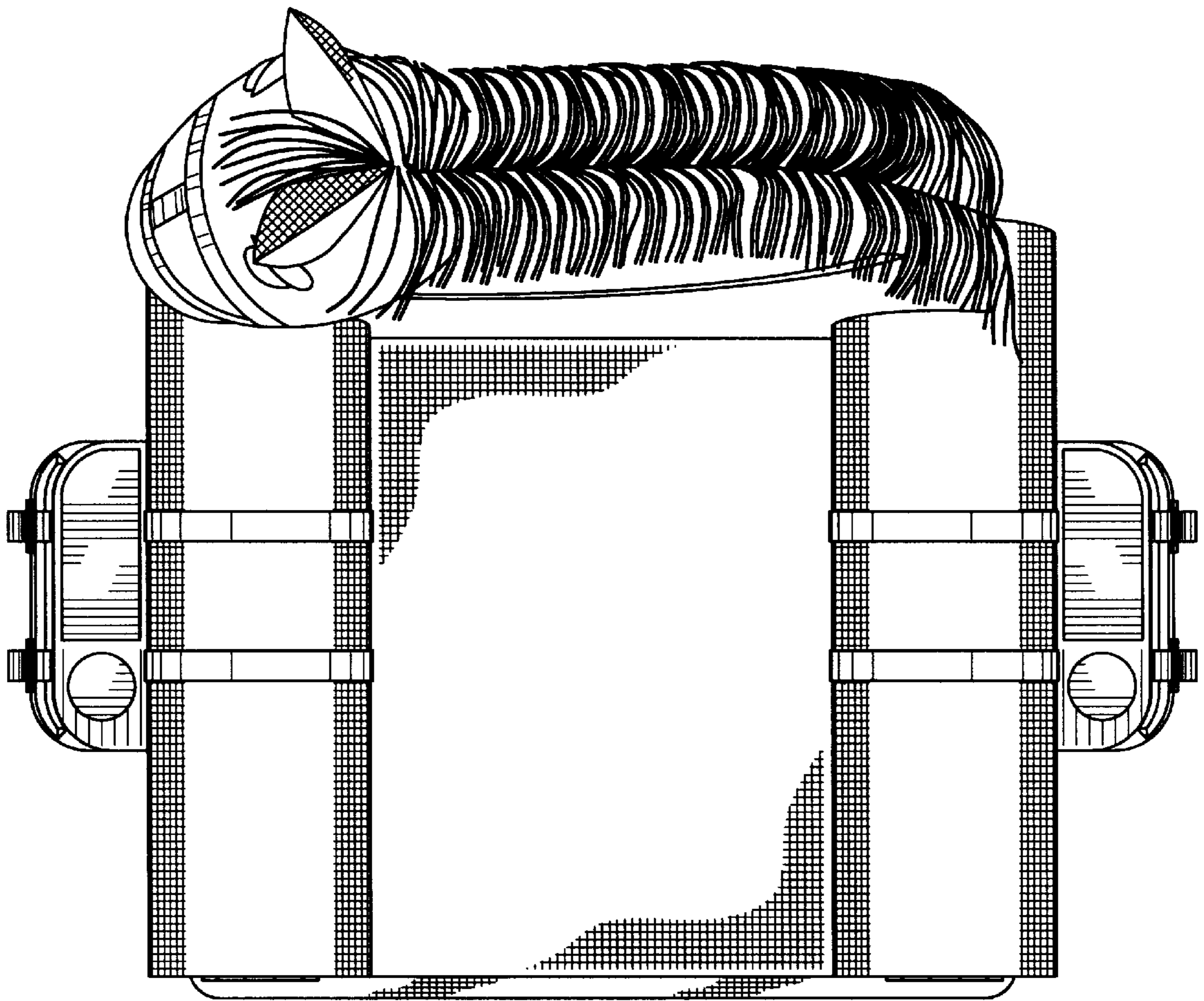


Fig.6

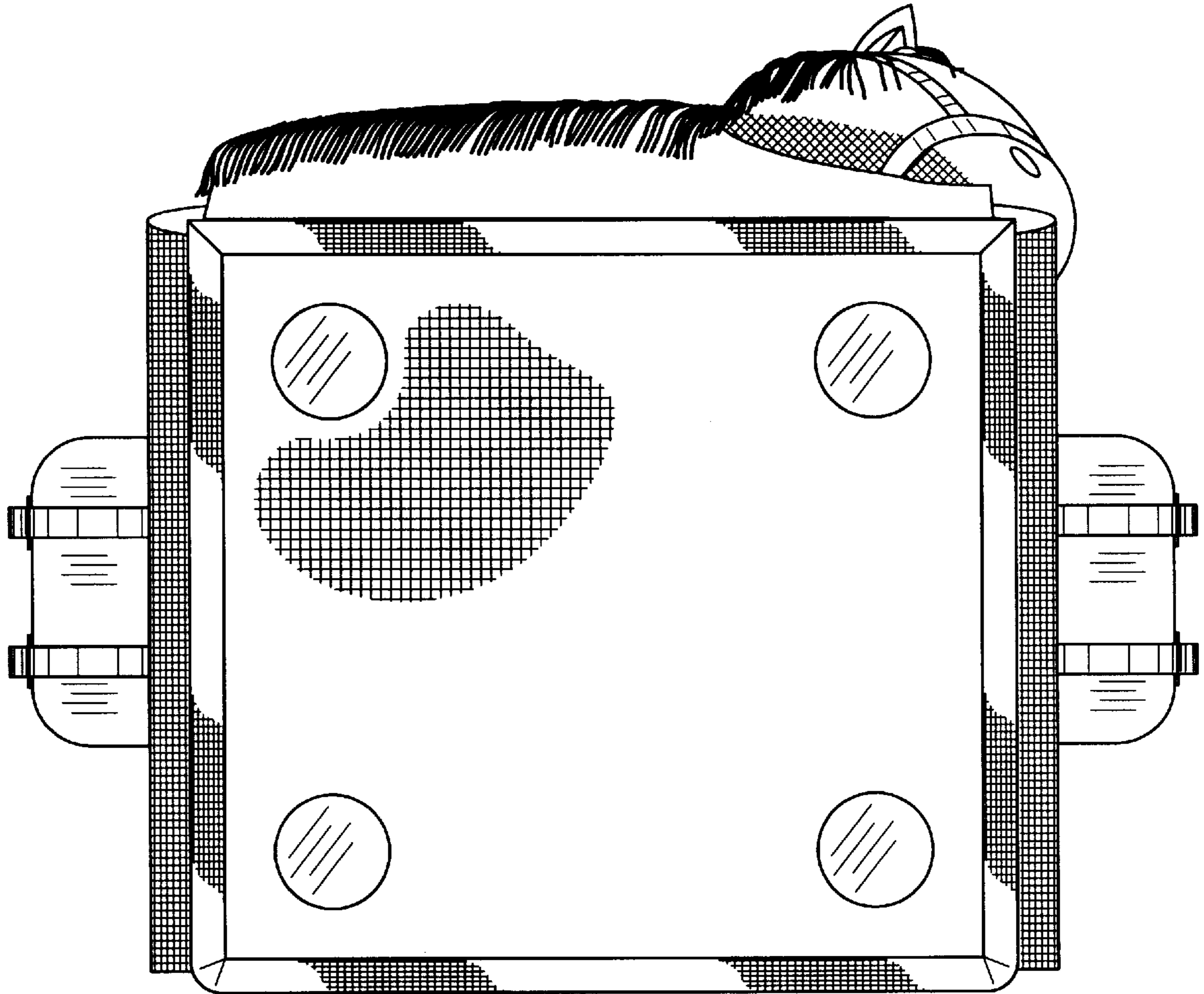


Fig.7