



US00D439063S

(12) **United States Design Patent**
Round et al.

(10) **Patent No.:** **US D439,063 S**

(45) **Date of Patent:** **** Mar. 20, 2001**

(54) **SEATING UNIT**

(75) Inventors: **Matthew Round; Martin Darbyshire,**
both of London (GB)

(73) Assignee: **British Airways PLC,** West Drayton
(GB)

(**) Term: **14 Years**

(21) Appl. No.: **29/114,417**

(22) Filed: **Nov. 24, 1999**

(30) **Foreign Application Priority Data**

May 24, 1999 (GB) 2083667
May 24, 1999 (GB) 2083668

(51) **LOC (7) Cl.** **06-01**

(52) **U.S. Cl.** **D6/356**

(58) **Field of Search** D6/334, 335, 336,
D6/356, 360, 361, 367, 381, 500-502;
D12/195, 345; 297/232, 244, 342, 354.11,
423.11; 244/118.5, 118.6, 122 R

(56) **References Cited**

U.S. PATENT DOCUMENTS

D. 215,597 * 10/1969 Rich D6/335
D. 262,165 * 12/1981 Andries et al. D6/335
D. 273,157 * 3/1984 Staub D6/356
D. 402,125 * 12/1998 Dryburg et al. D6/356
D. 405,275 * 2/1999 Dryburg et al. D6/356
D. 412,948 * 3/2000 Dryburgh et al. D12/195
D. 421,593 * 3/2000 Papaioannou et al. D12/345

5,628,547 * 5/1997 Matsumiya 297/354.11
5,992,798 * 11/1999 Ferry 244/118.6
6,056,239 * 5/2000 Cantu et al. 244/122 R

* cited by examiner

Primary Examiner—Doris V. Coles

Assistant Examiner—Mimosa De

(74) *Attorney, Agent, or Firm*—Young & Thompson

(57) **CLAIM**

The ornamental design for a seating unit, as shown and described.

DESCRIPTION

FIG. 1 is a top and side perspective view of a seating unit, showing our new design;

FIG. 2 is a view similar to FIG. 1, but showing the parts in a different position;

FIG. 3 is a side elevational view thereof;

FIG. 4 is a side elevational view thereof with the parts in a different position;

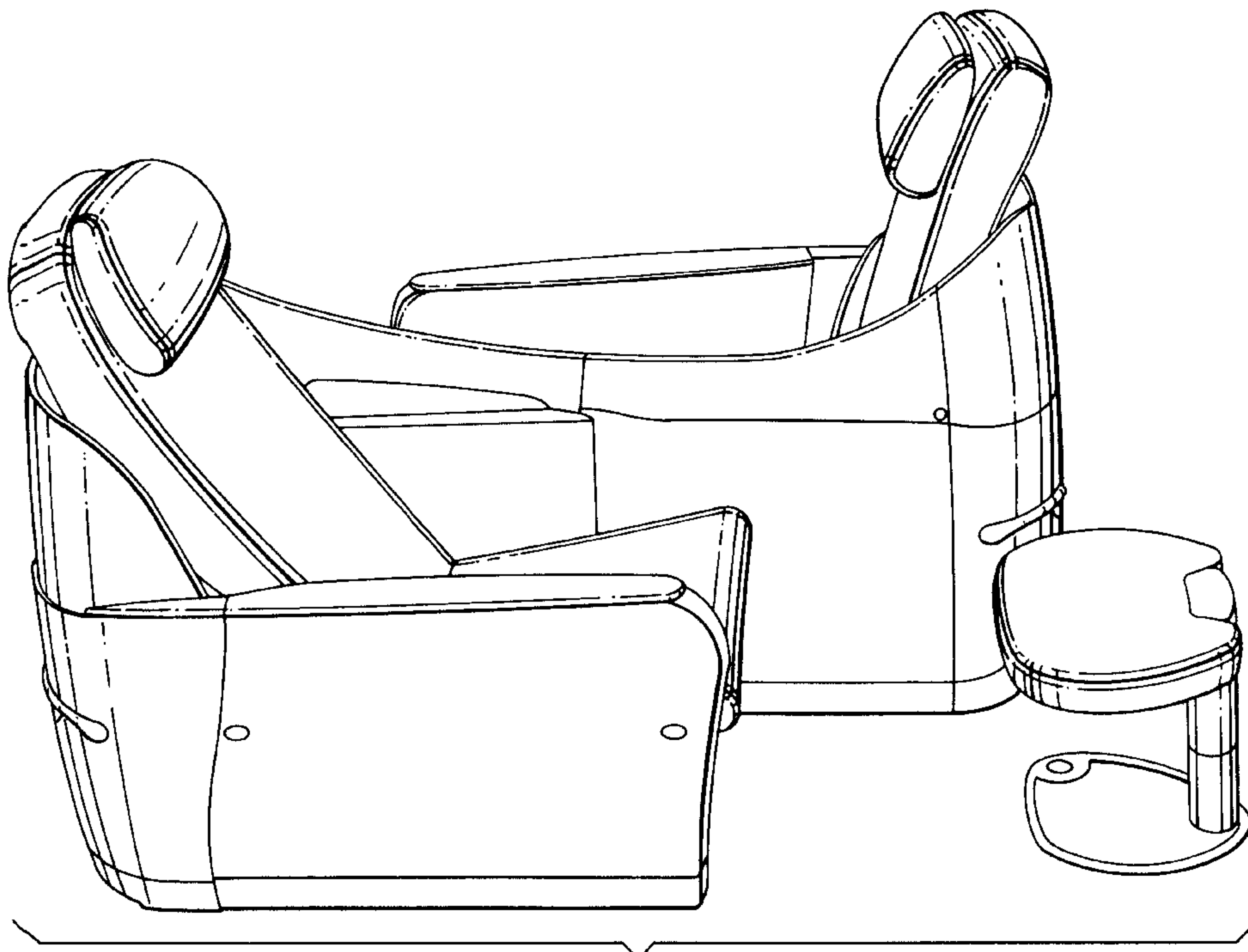
FIG. 5 is a side elevational view thereof with the parts in a still different position;

FIG. 6 is a top plan view of FIG. 5 with the cushion of one of the foot stools in raised condition; and,

FIG. 7 is an end view thereof with the cushion of one of the foot stools in raised condition.

The sides opposite those shown in FIGS. 1 and 3 are identical thereto; and the view of the end opposite that shown in FIG. 7 is identical thereto when both sides of the seating unit are in the FIG. 7 position.

1 Claim, 7 Drawing Sheets



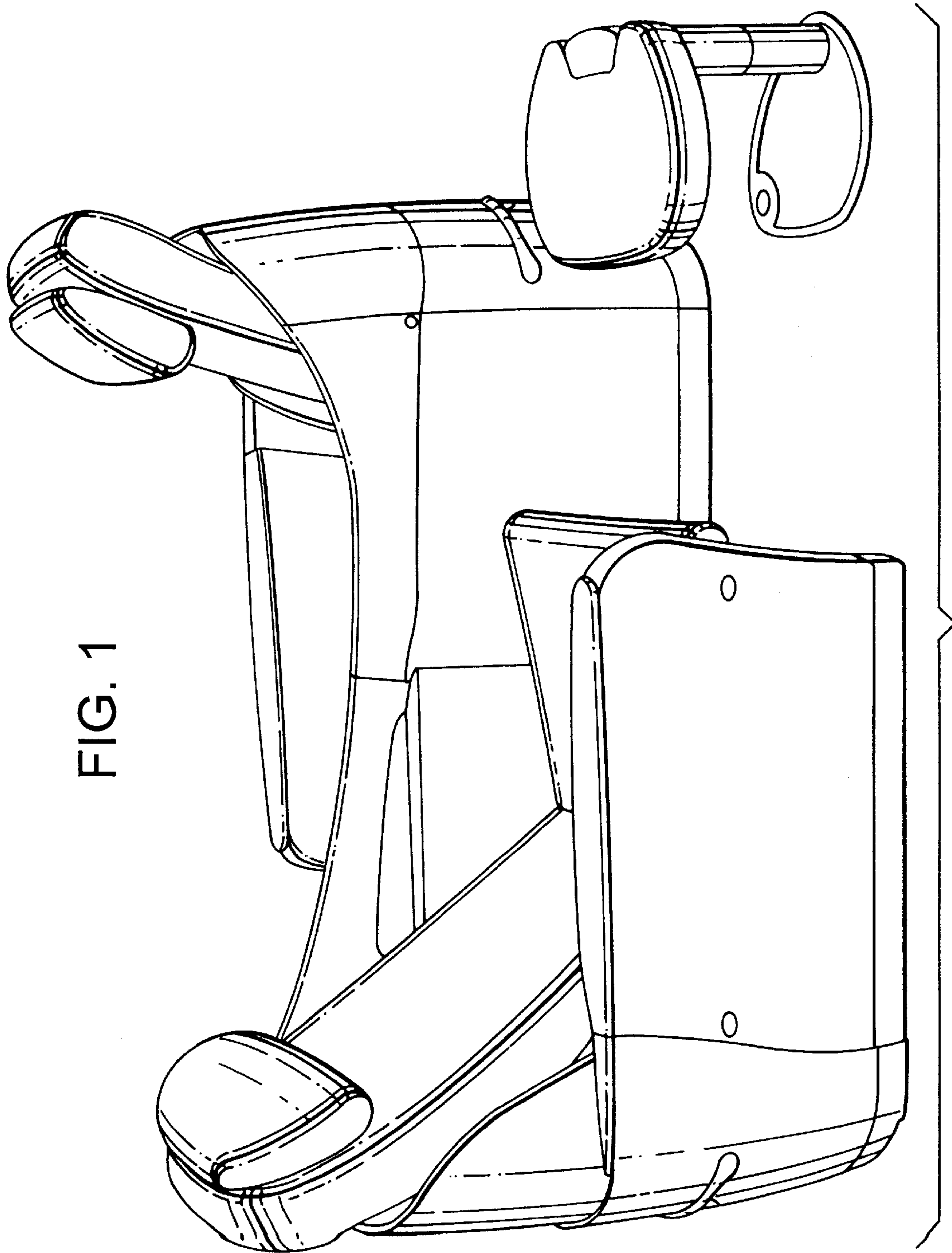
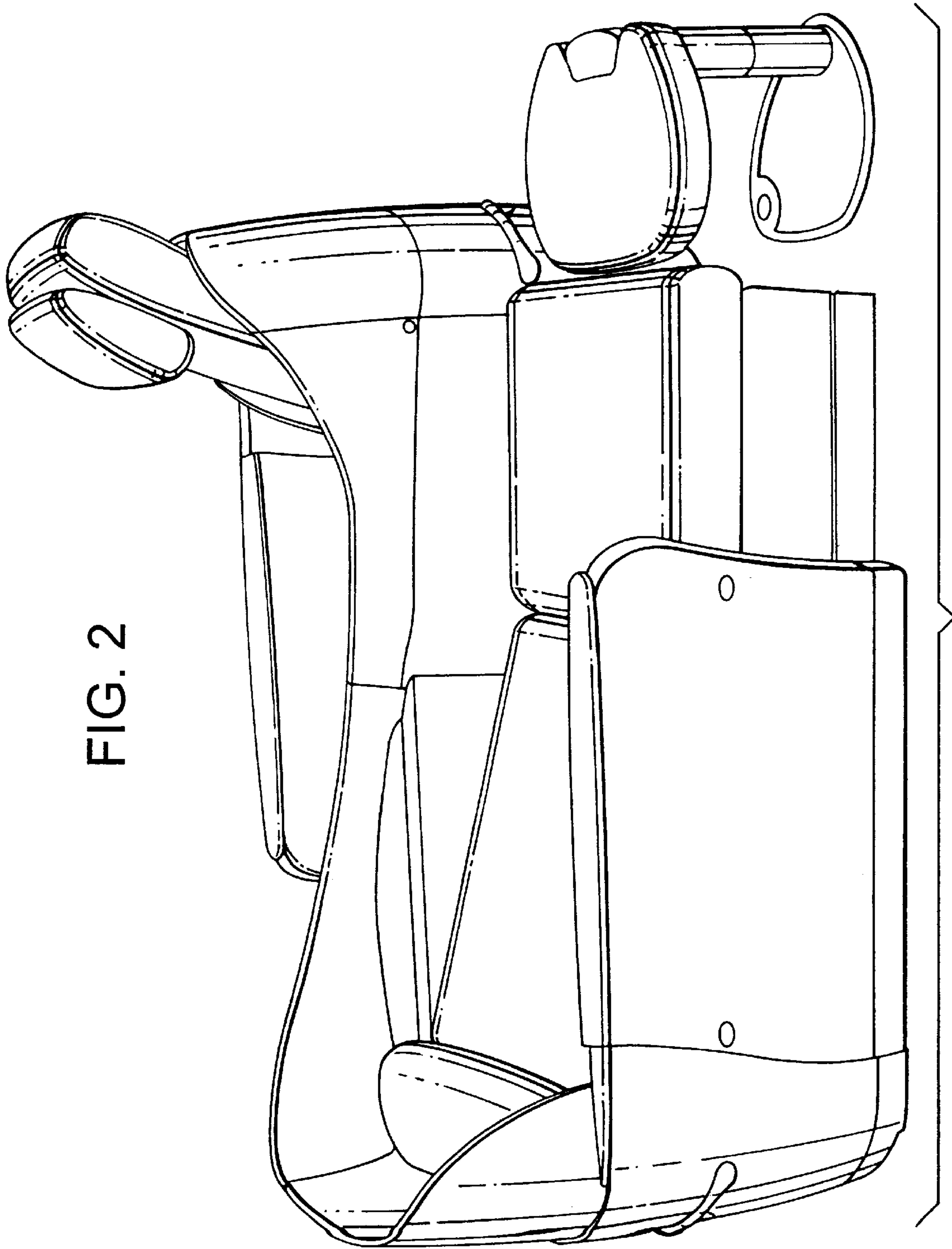


FIG. 1

FIG. 2



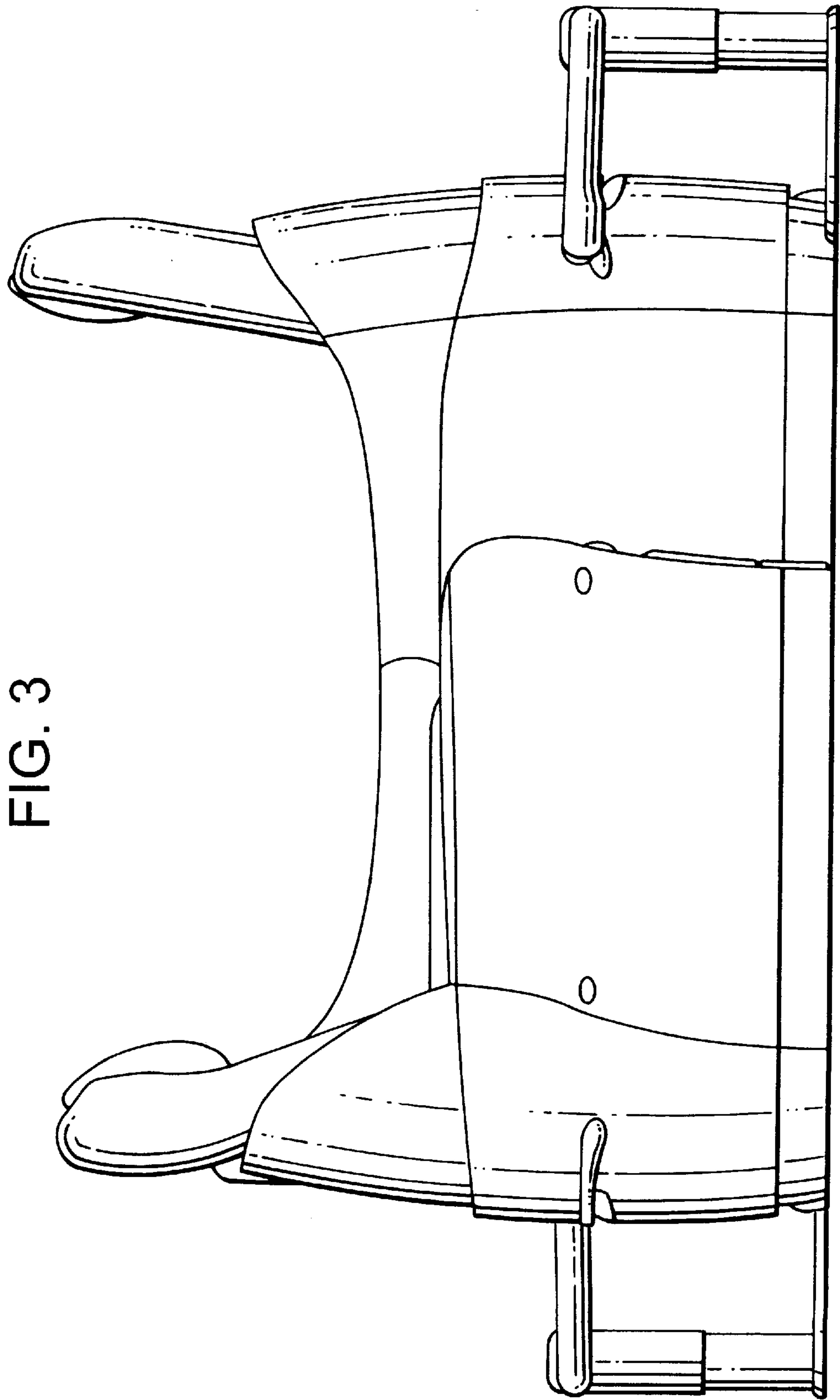
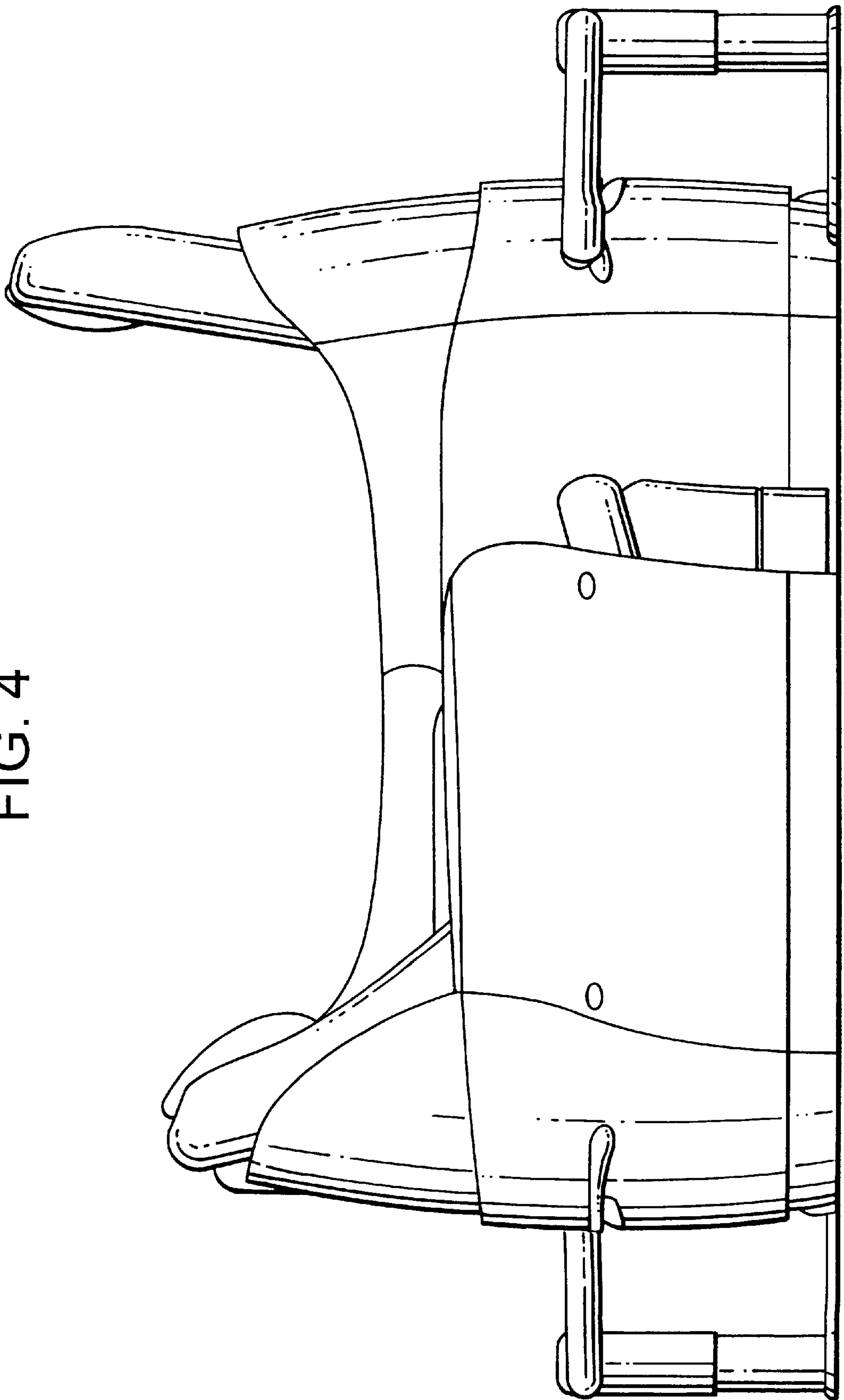


FIG. 3

FIG. 4



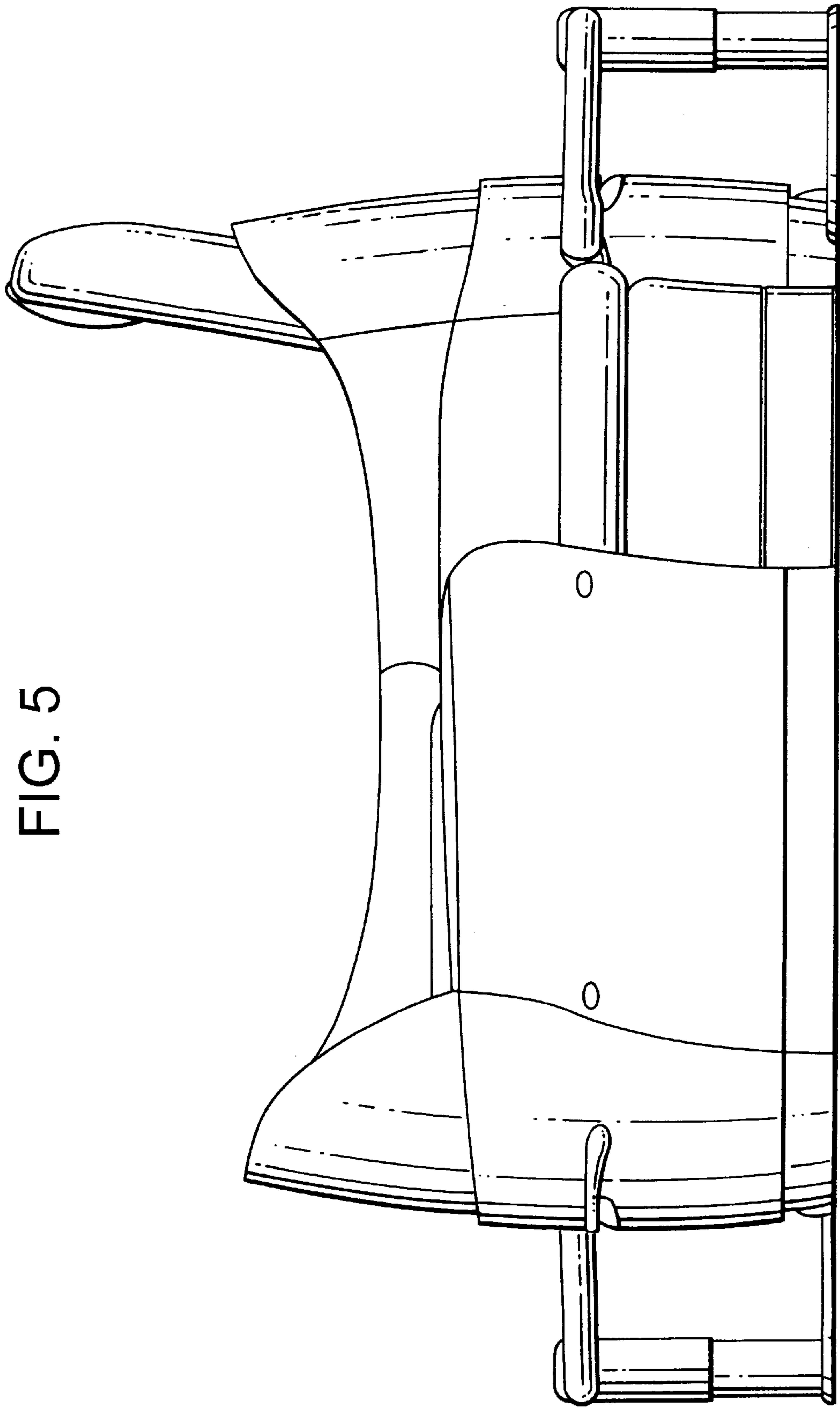
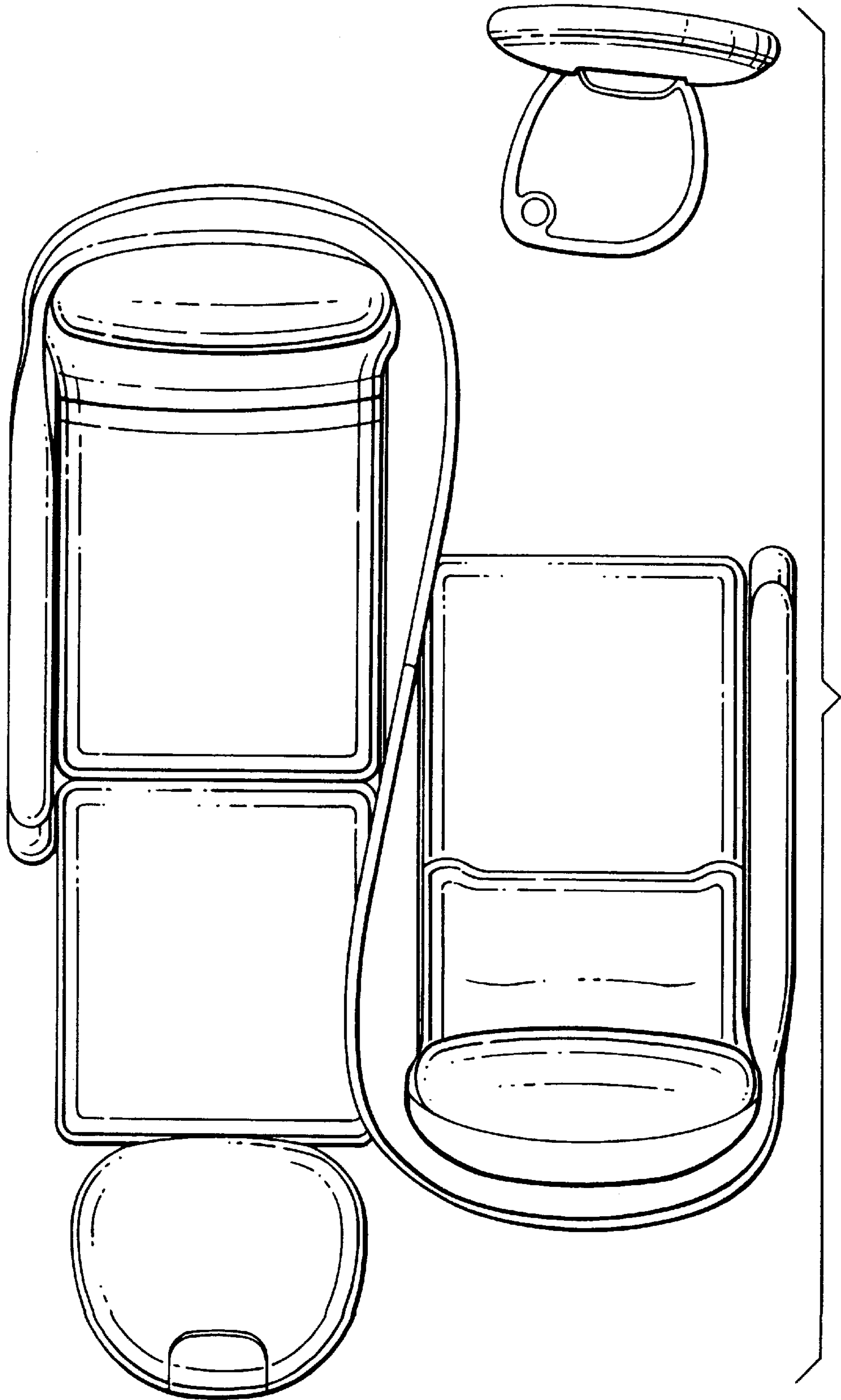


FIG. 5

FIG. 6



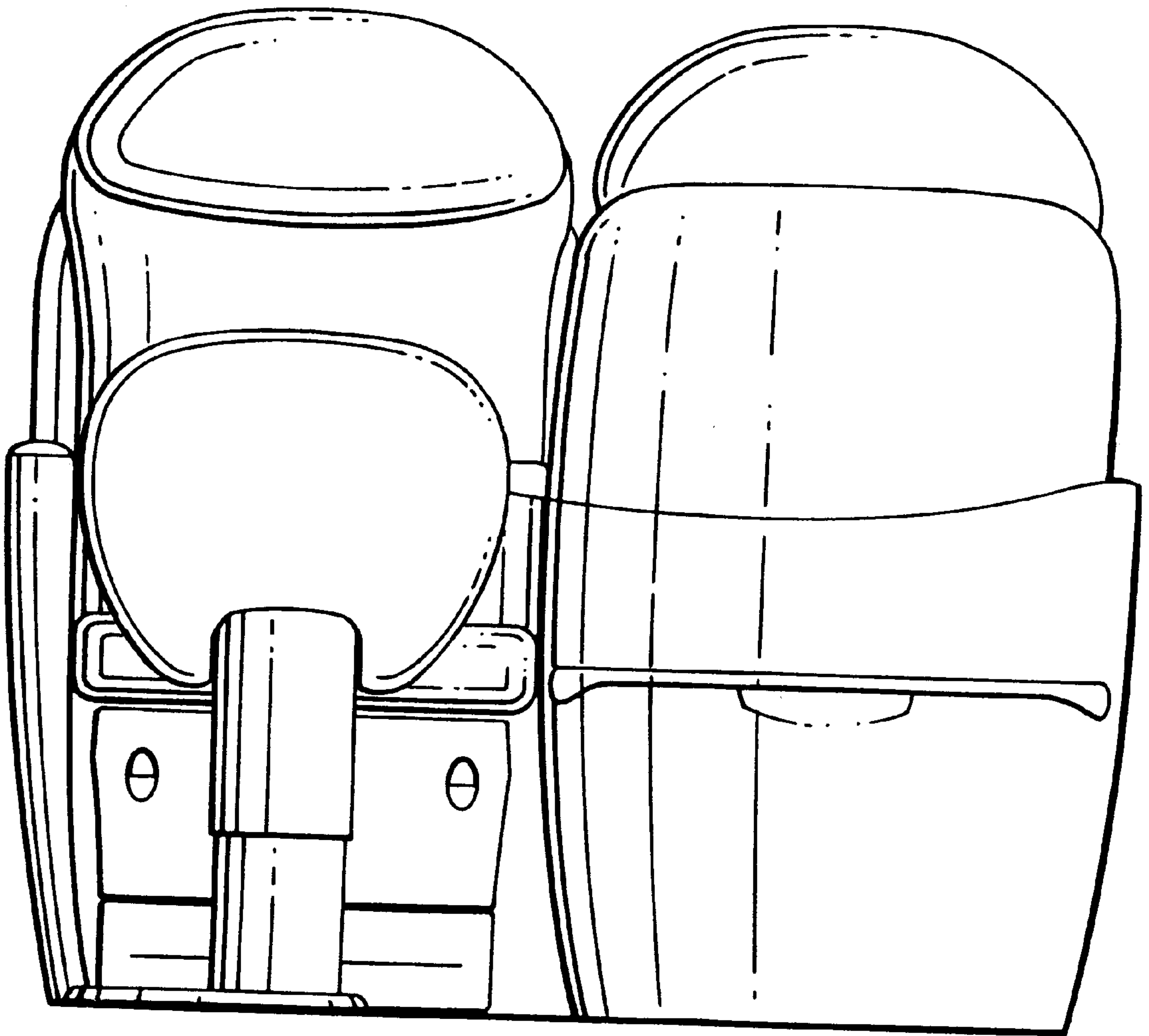


FIG. 7