



US00D439060S

(12) **United States Design Patent**
Larsen

(10) **Patent No.:** **US D439,060 S**

(45) **Date of Patent:** **** Mar. 20, 2001**

(54) **MOBILE TABLE WITH STOOLS**
(75) Inventor: **Johnny Larsen**, Crystal Lake, IL (US)
(73) Assignee: **Midwest Folding Products**, Chicago, IL (US)
(**) Term: **14 Years**

Primary Examiner—Doris V. Coles
Assistant Examiner—Mimosa De
(74) *Attorney, Agent, or Firm*—McDermott, Will & Emery

(21) Appl. No.: **29/117,521**
(22) Filed: **Jan. 26, 2000**
(51) **LOC (7) Cl.** **06-01**
(52) **U.S. Cl.** **D6/337**
(58) **Field of Search** D6/333, 334, 335,
D6/336, 337, 500-502; 297/158.2, 158.3,
158.4, 159.1

(57) **CLAIM**
The ornamental design for a mobile table with stools, as shown and described.

(56) **References Cited**
U.S. PATENT DOCUMENTS
Re. 24,454 4/1958 Wilson .
D. 194,038 11/1962 Preston D6/337
D. 211,886 8/1968 Benjamin .

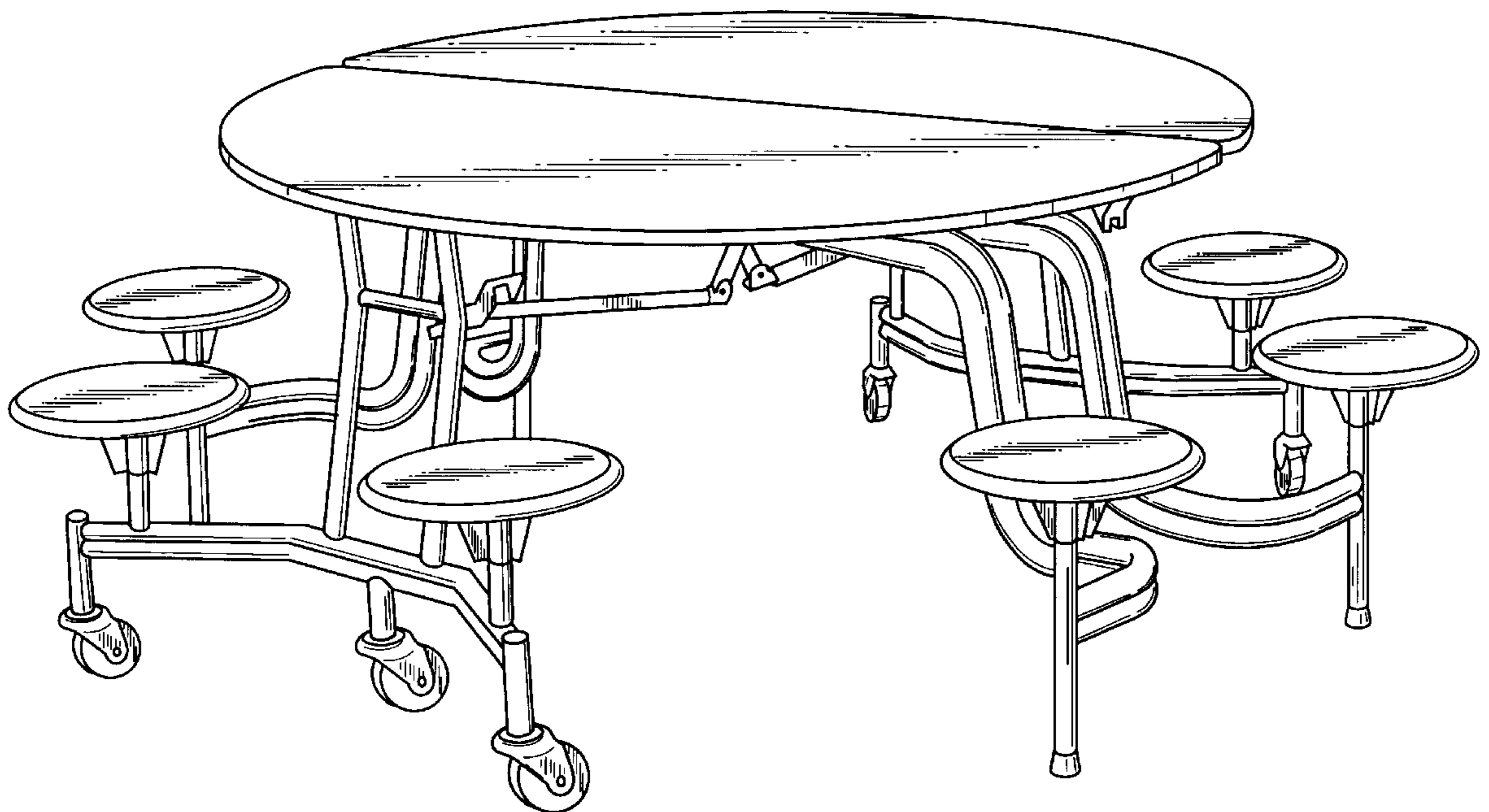
DESCRIPTION
FIG. 1 is a perspective view of the design of the present invention;
FIG. 2 is a front elevational view of the design of the present invention;
FIG. 3 is a rear elevational view of the design of the present invention;
FIG. 4 is a right-side elevational view of the design of the present invention;
FIG. 5 is a left-side elevational view of the design of the present invention;
FIG. 6 is a top plan view of the design of the present invention;
FIG. 7 is a bottom plan view of the design of the present invention; and,
FIG. 8 is a perspective view of the design of the present invention in an alternate position.

(List continued on next page.)

OTHER PUBLICATIONS

Promotional flier entitled "Round Stool Unit Comparison" erroneously dated Apr. 17, 1998.

1 Claim, 6 Drawing Sheets



US D439,060 S

Page 2

U.S. PATENT DOCUMENTS			
D. 244,409	*	5/1977	Arnold D6/337
D. 250,151	*	11/1978	Pingel D6/337
D. 268,971	*	5/1983	Reineman D6/337
D. 369,913	*	5/1996	Noll D6/337
D. 413,734		9/1999	Bue D6/337
1,339,232		5/1920	St. John et al. .
2,702,585		11/1955	Wilson .
2,717,631		9/1955	Howe .
2,721,778		10/1955	Wilson .
2,730,417		1/1956	Mitchell .
2,739,860		3/1956	Wilson .
2,771,937		11/1956	Wilson .
2,969,245		1/1961	Wilson .
3,028,197		4/1962	Wilson .
3,055,705		9/1962	Wilson .
3,075,809		1/1963	Wilson .
3,099,480		7/1963	Wilson .
3,099,481		7/1963	Bue .
3,101,064		8/1963	Kanzelberger .
3,109,678		11/1963	Wilson .
3,212,463		10/1965	Anderson et al. .
3,245,363		4/1966	Amthor, Jr. et al. .
3,337,262		8/1967	Katzfey et al. .
3,411,823		11/1968	Bue .
3,477,760		11/1969	Bue et al. .
3,536,356		10/1970	Wilson .
3,580,632		5/1971	Seymour .
3,715,143		2/1973	Gerken et al. .
4,052,100		10/1977	Nikitits et al. .
4,070,057		1/1978	Jones .
4,131,311		12/1978	Nikitits et al. .
4,133,271		1/1979	Carlson .
4,249,773		2/1981	Giambalvo .
4,596,196		6/1986	Gunter et al. .
4,653,804		3/1987	Yoo et al. .
4,700,987		10/1987	Sraka et al. .
4,826,244		5/1989	Choi .
4,883,314		11/1989	Sakong .
4,932,333		6/1990	Jensen et al. .
5,029,938		7/1991	Song .
5,683,135		11/1997	Williams .
5,794,540		8/1998	Dombrowski et al. .
6,065,802	*	5/2000	Bue 297/158.4

* cited by examiner

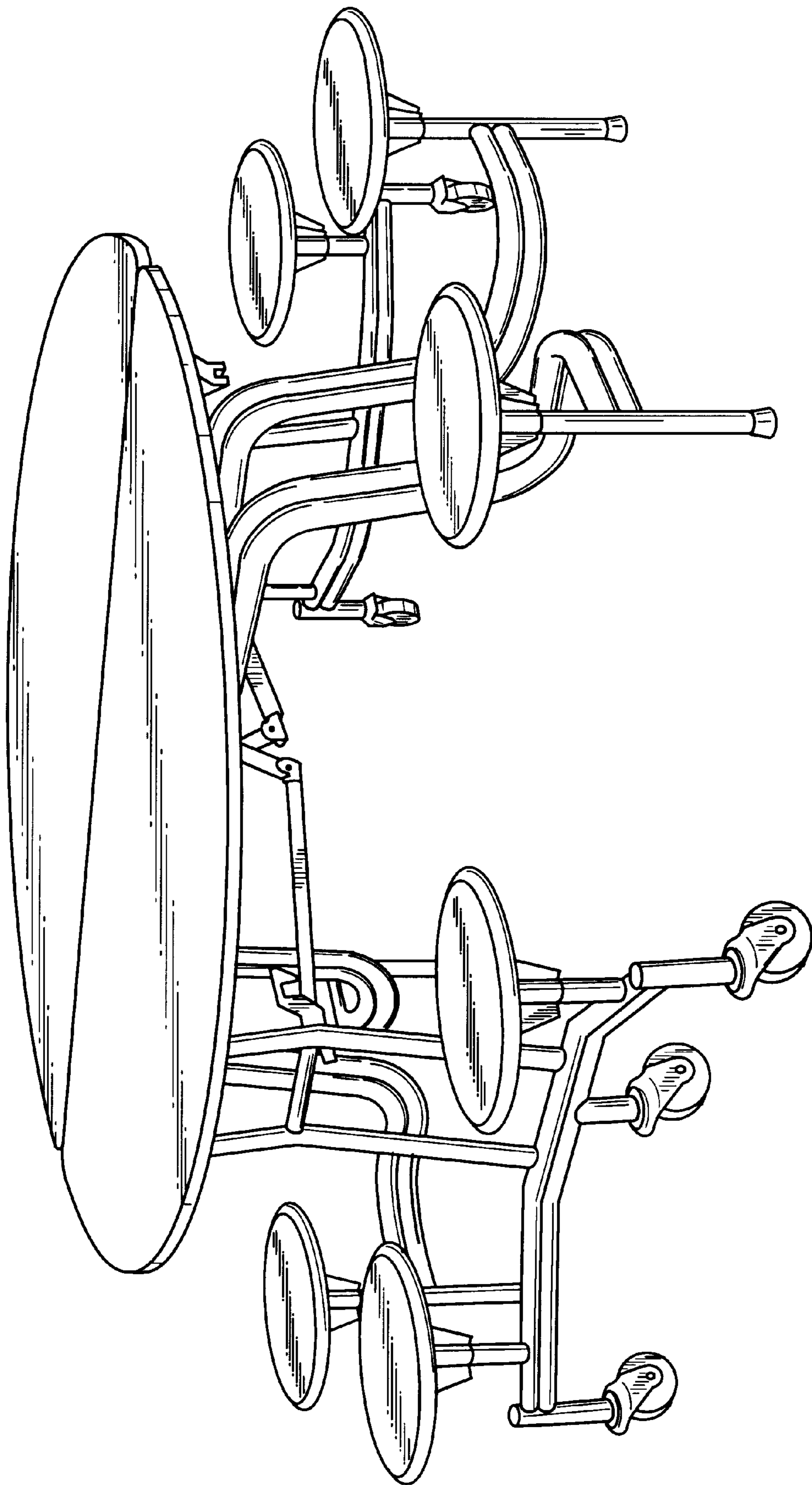


Fig. 1

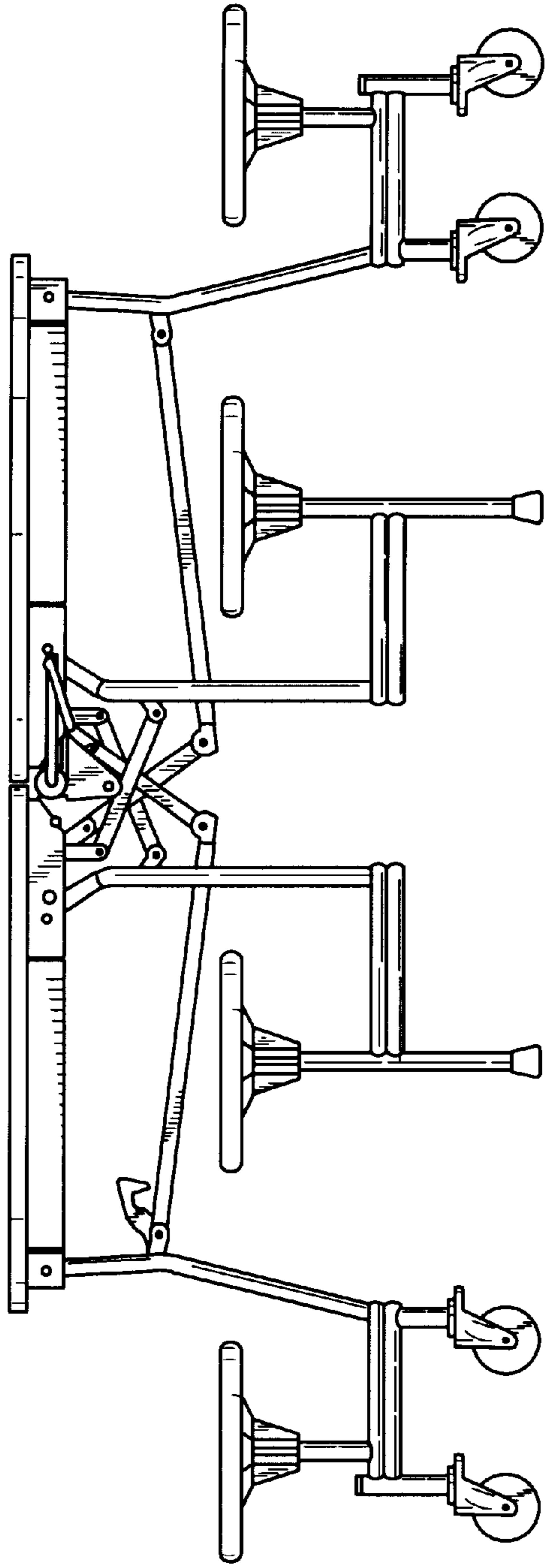


Fig. 2

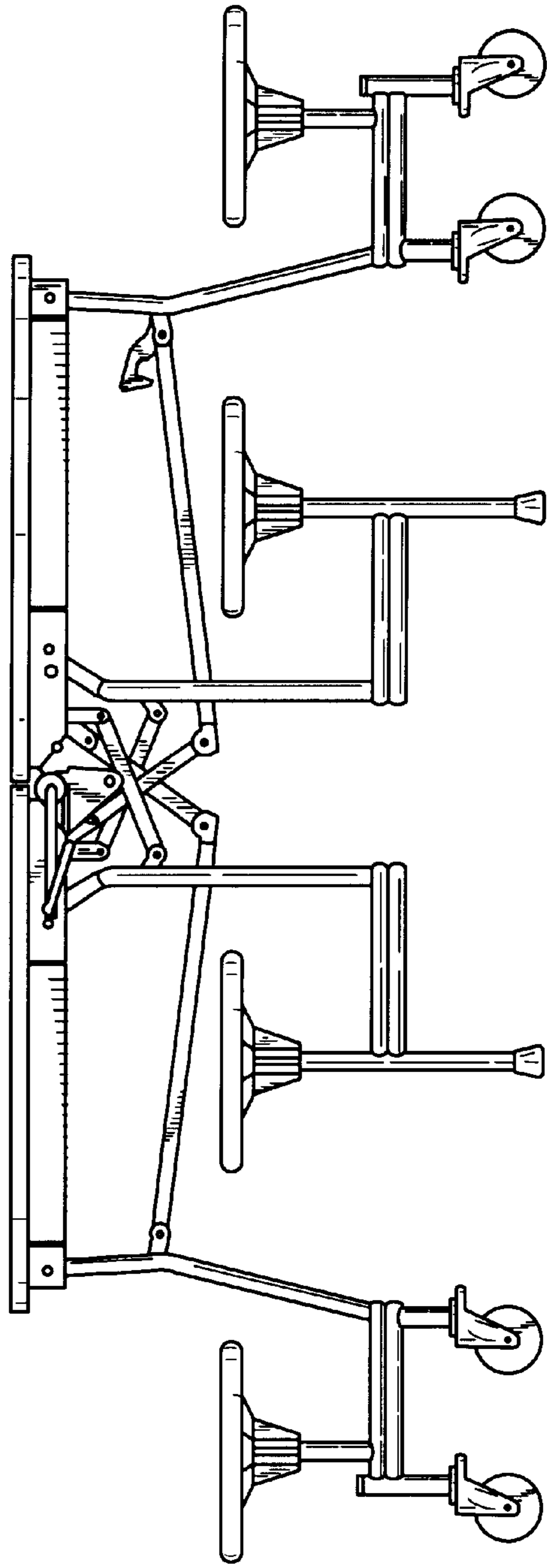


Fig. 3

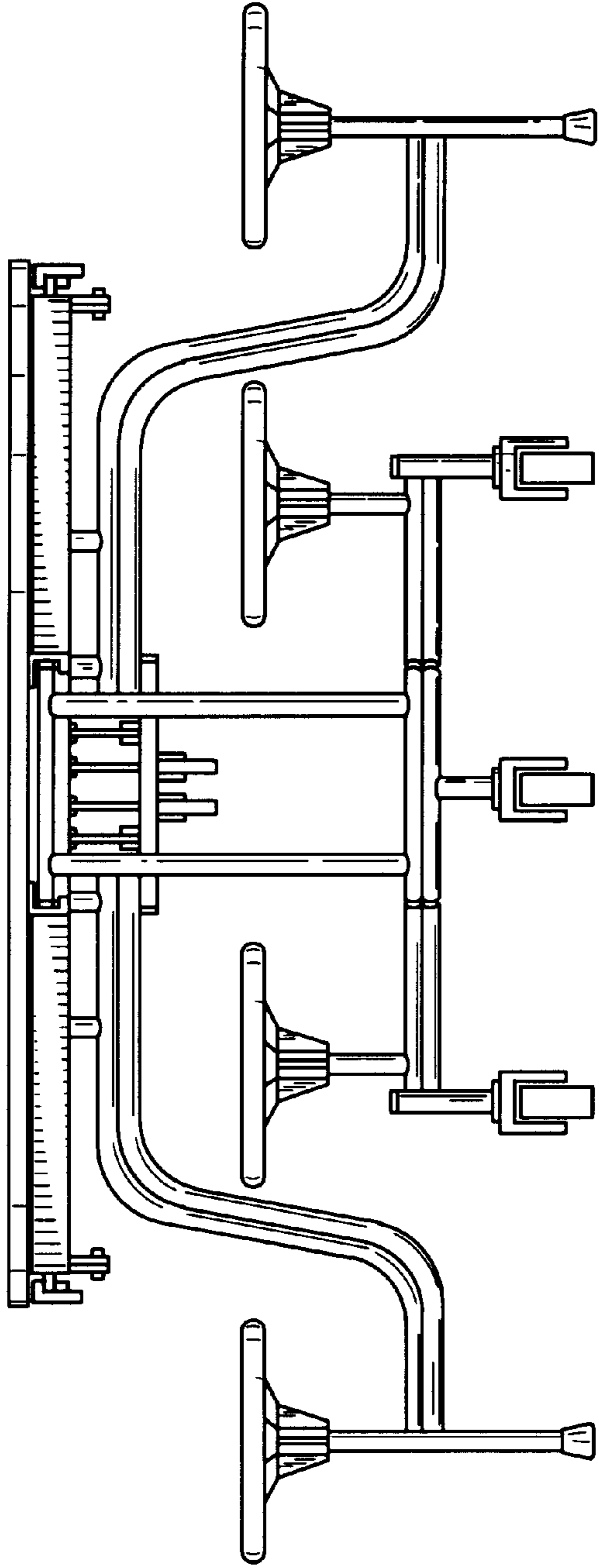


Fig. 4

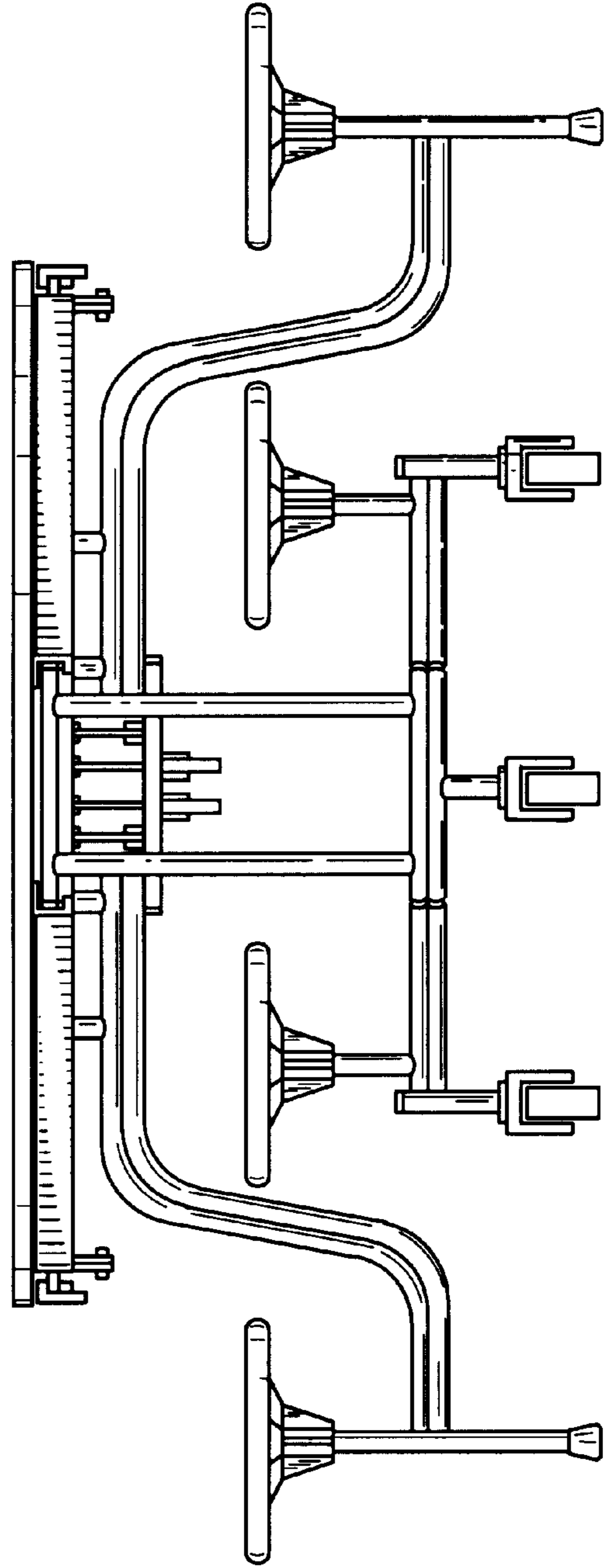


Fig. 5

Fig. 6

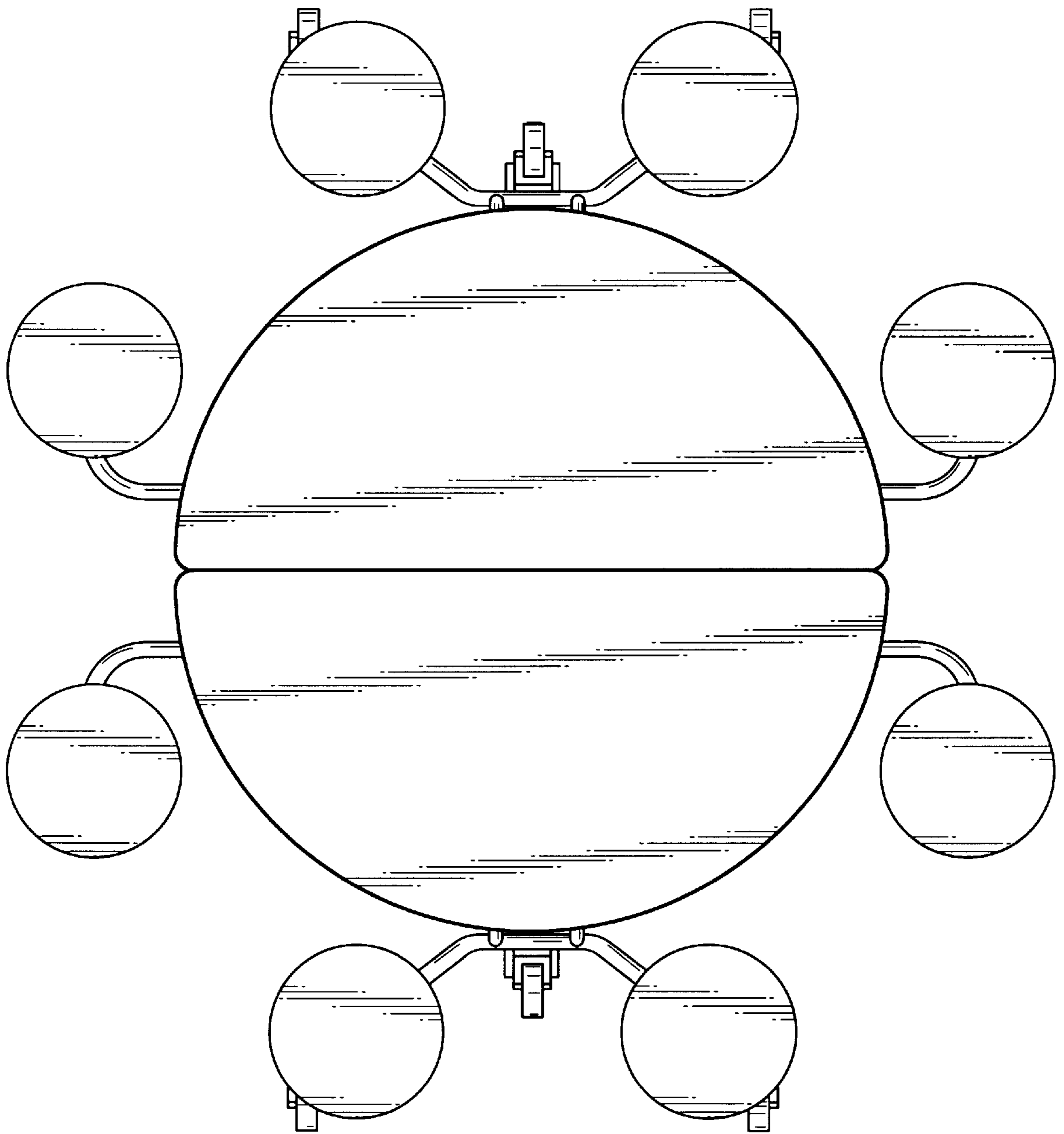
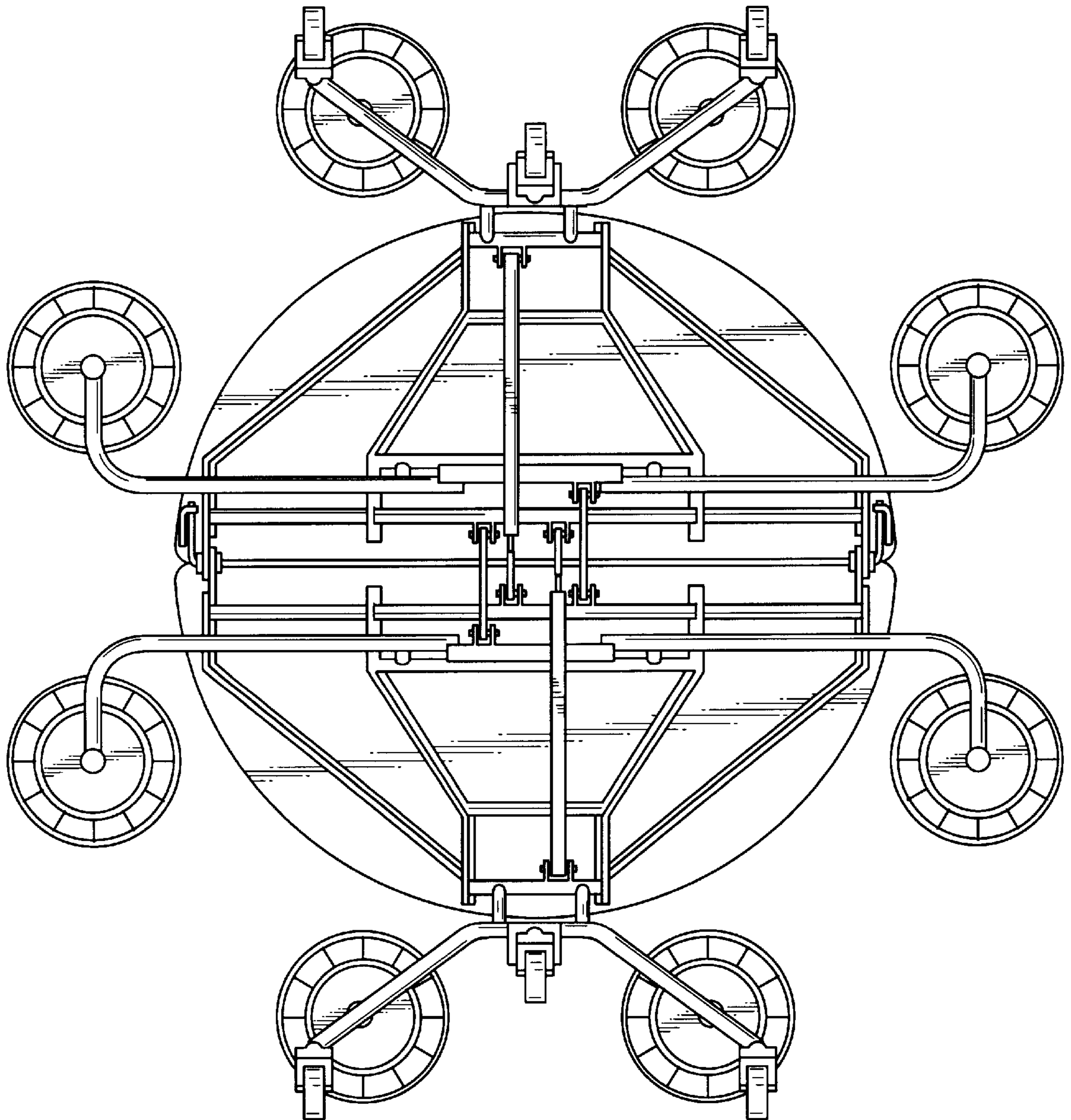


Fig. 7



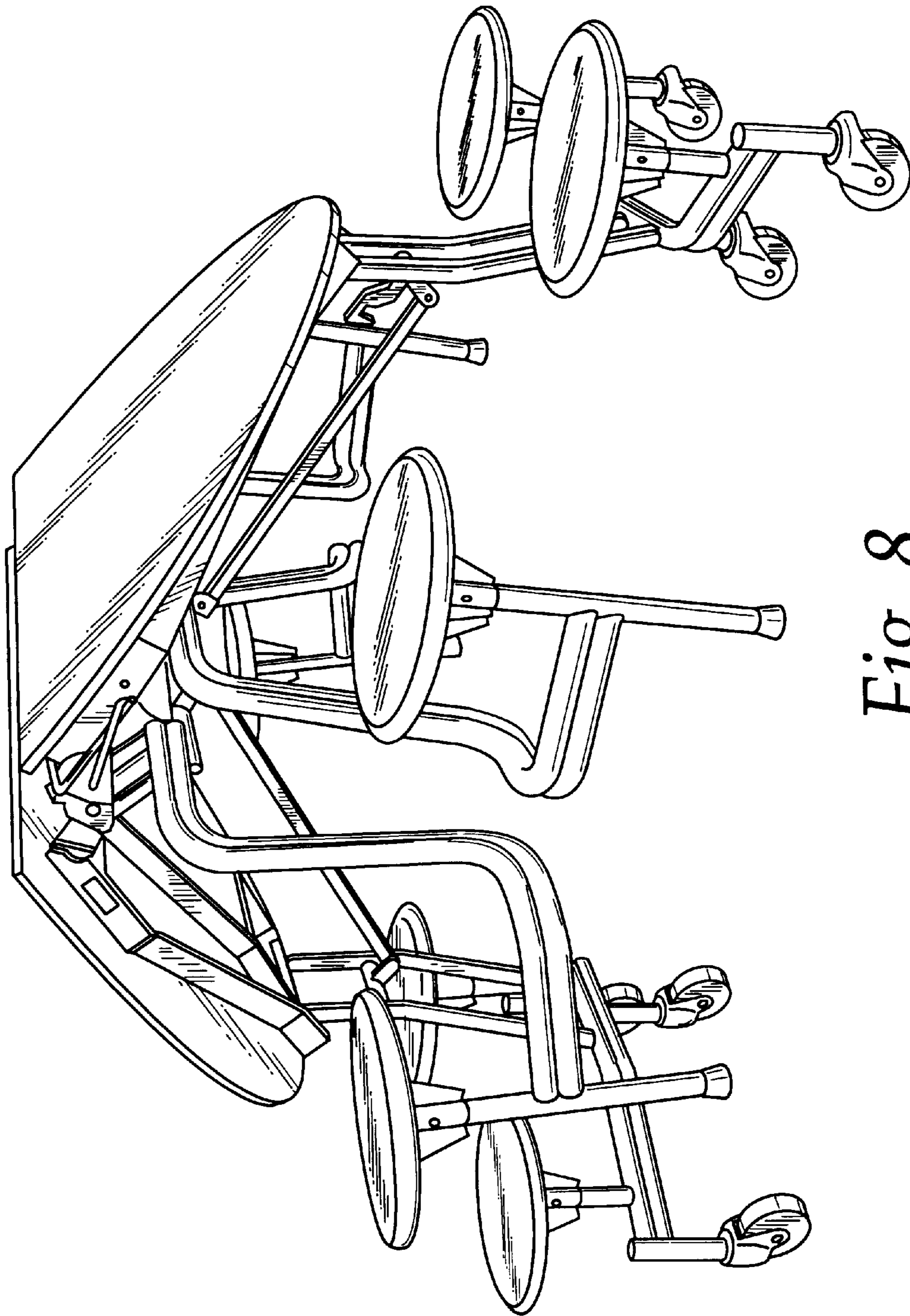


Fig. 8