



US00D439055S

(12) **United States Design Patent**
Hay

(10) **Patent No.:** **US D439,055 S**

(45) **Date of Patent:** **** Mar. 20, 2001**

(54) **BRUSH HEAD**

(75) Inventor: **Donald Hay**, Wanchai (HK)

(73) Assignee: **Hayco Manufacturing Ltd.** (HK)

(**) Term: **14 Years**

(21) Appl. No.: **29/117,111**

(22) Filed: **Jan. 14, 2000**

(51) **LOC (7) Cl.** **04-01**

(52) **U.S. Cl.** **D4/132; D4/118**

(58) **Field of Search** D4/118, 130, 132,
D4/135; 15/105, 111, 159.1, 160, 171, 175,
176.1, 176.2, 186, 187, 191.1, 192, 193,
195, 196, 117

(56) **References Cited**

U.S. PATENT DOCUMENTS

D. 99,109	*	3/1936	Bickel	D4/132
565,042	*	8/1896	Slocum	15/105
3,108,306	*	10/1963	McWilliams	15/171
5,966,771	*	10/1999	Stroud	15/117

OTHER PUBLICATIONS

Sparta Brush Co., Inc., Catalog No. 300, Pizza Oven brush—Item No. 421W, p. 9, Feb. 1978.*
Harper Brush, Deck Scrub Brush—Item No. 591612, p. 11, Aug. 1995.*

Home Trends™, Fuller Brush® Utility Broom—Item No. 22012, p. 84, 1998.*

* cited by examiner

Primary Examiner—Alan P. Douglas

Assistant Examiner—Lavone Tabor

(74) *Attorney, Agent, or Firm*—Reese Taylor

(57) **CLAIM**

The ornamental design for a brush head, as shown and described.

DESCRIPTION

FIG. 1 is a perspective view of a brush head showing my design;

FIG. 2 is a side view thereof;

FIG. 3 is another side view thereof;

FIG. 4 is a top view thereof;

FIG. 5 is a rear view thereof;

FIG. 6 is a front view thereof; and,

FIG. 7 is a bottom view thereof.

The broken line structure is for illustrative purposes only and forms no part of the claimed design.

1 Claim, 4 Drawing Sheets

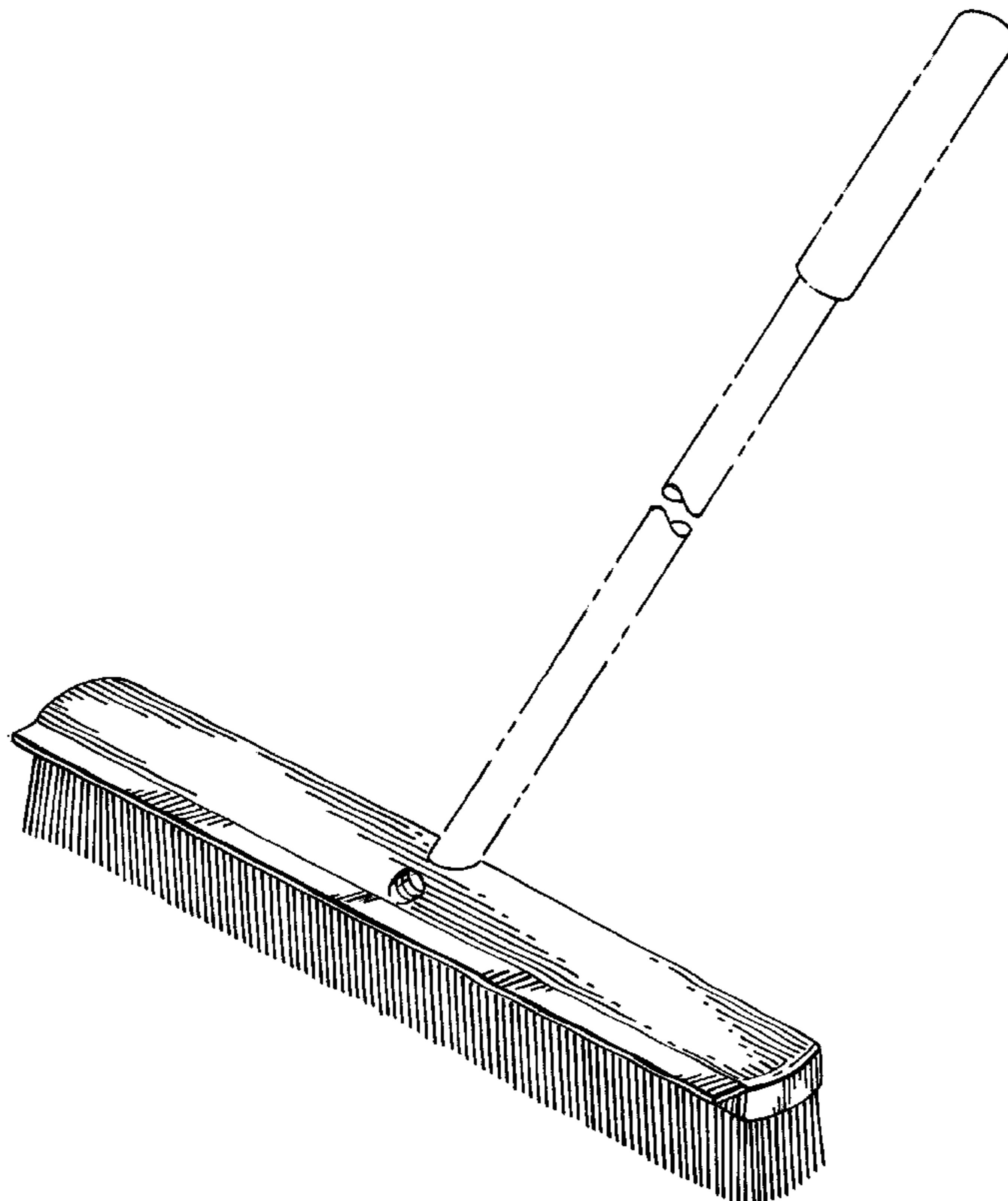


FIG. 1

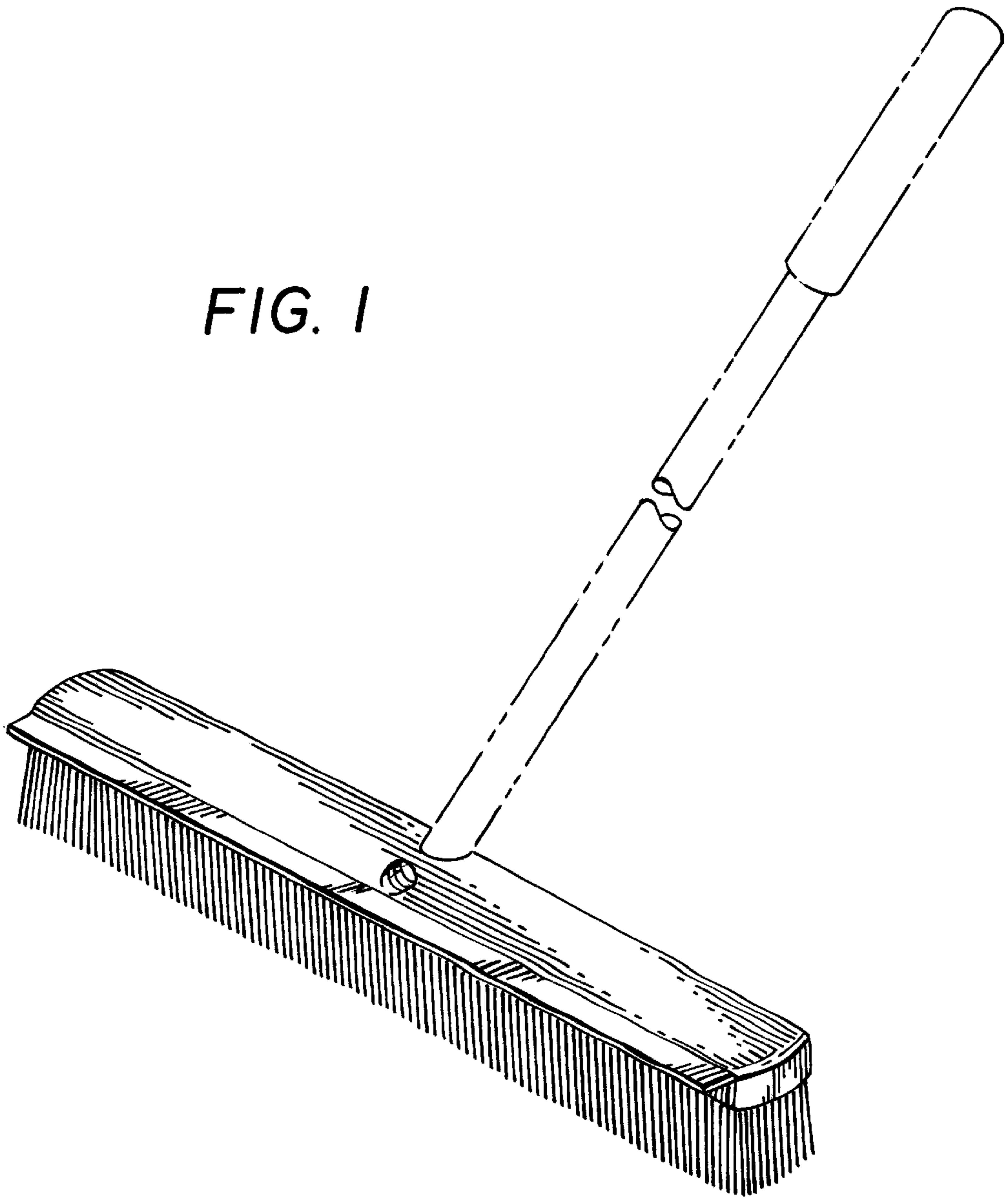


FIG. 2

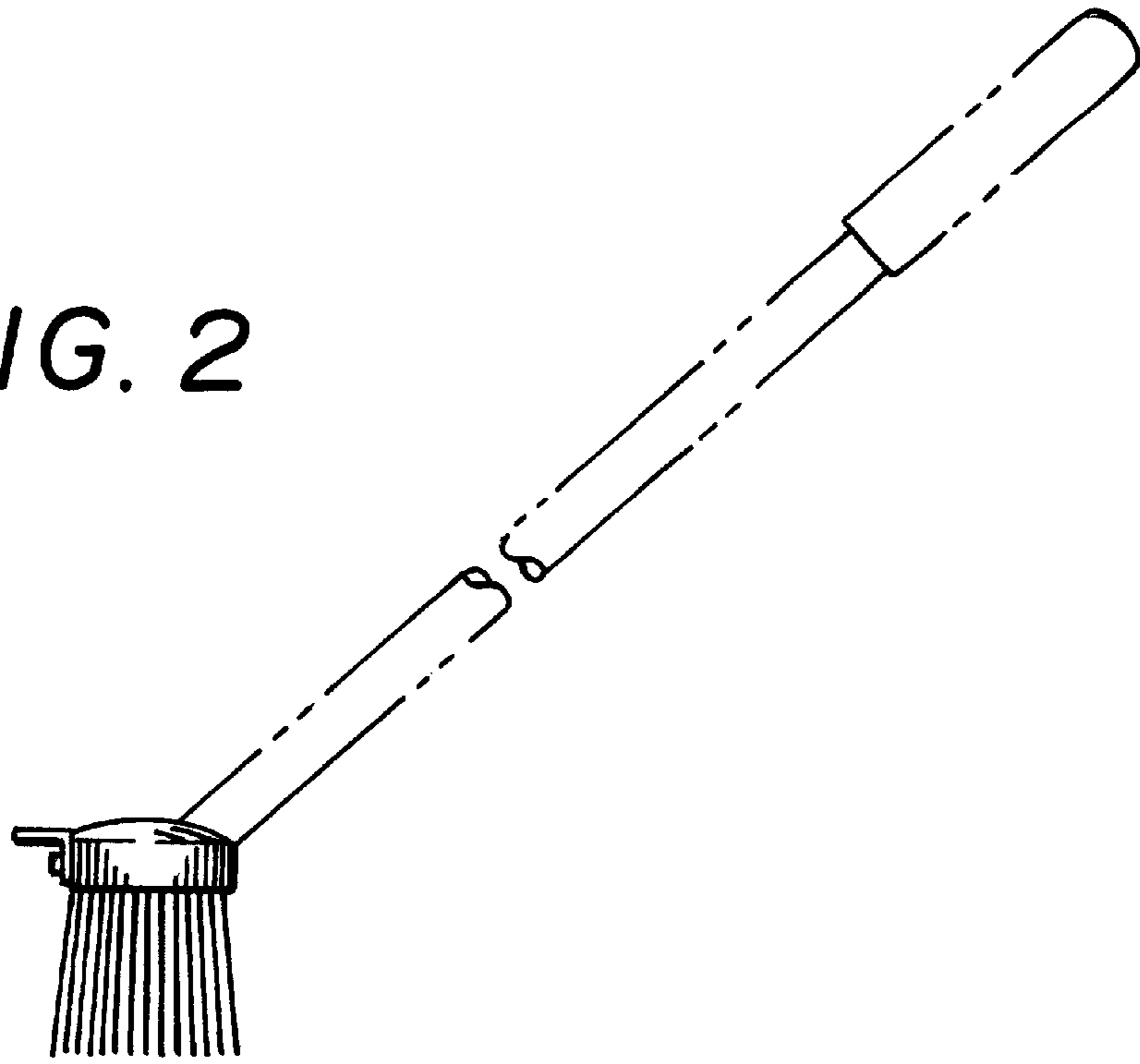
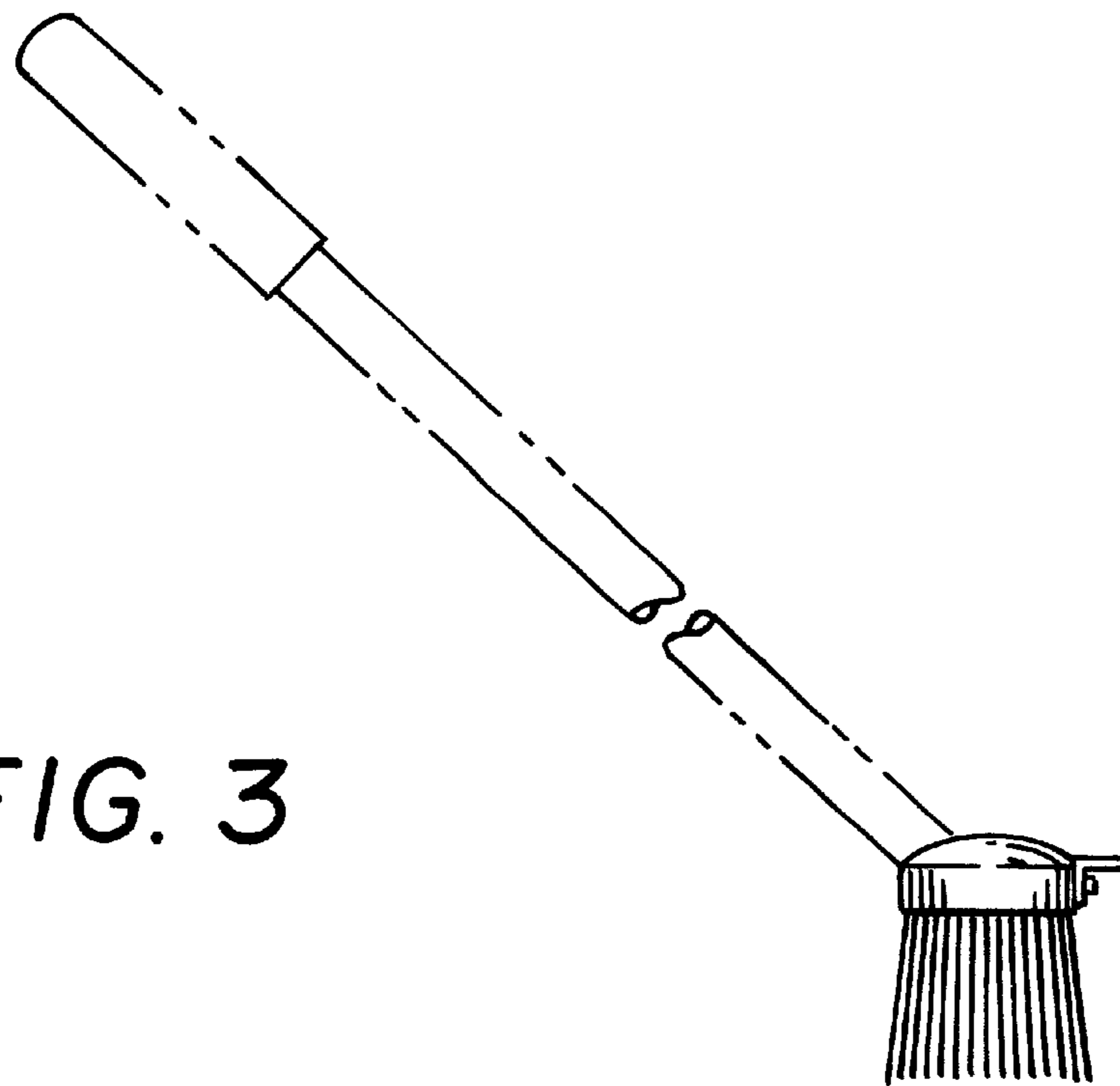


FIG. 3



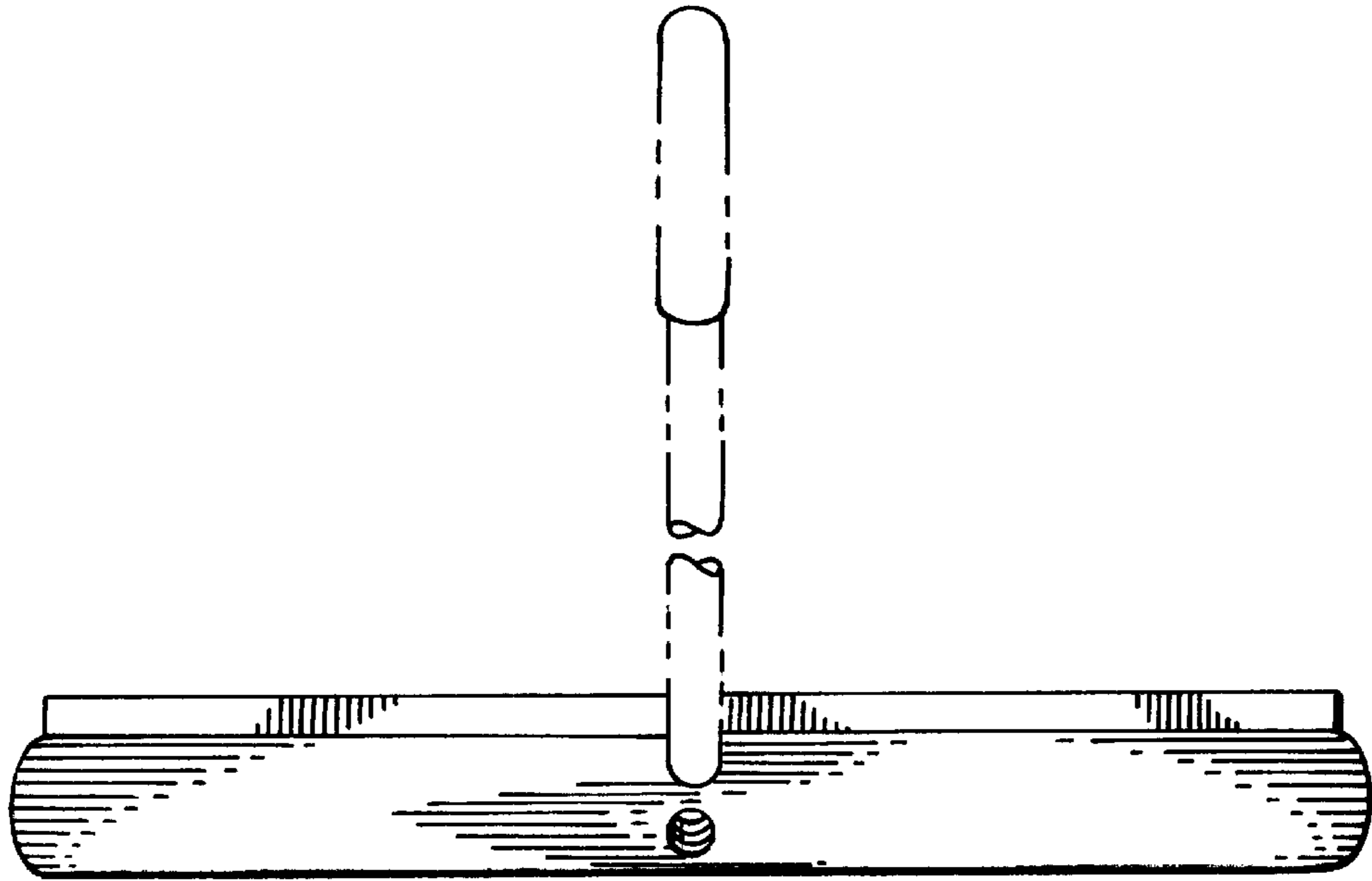


FIG. 4

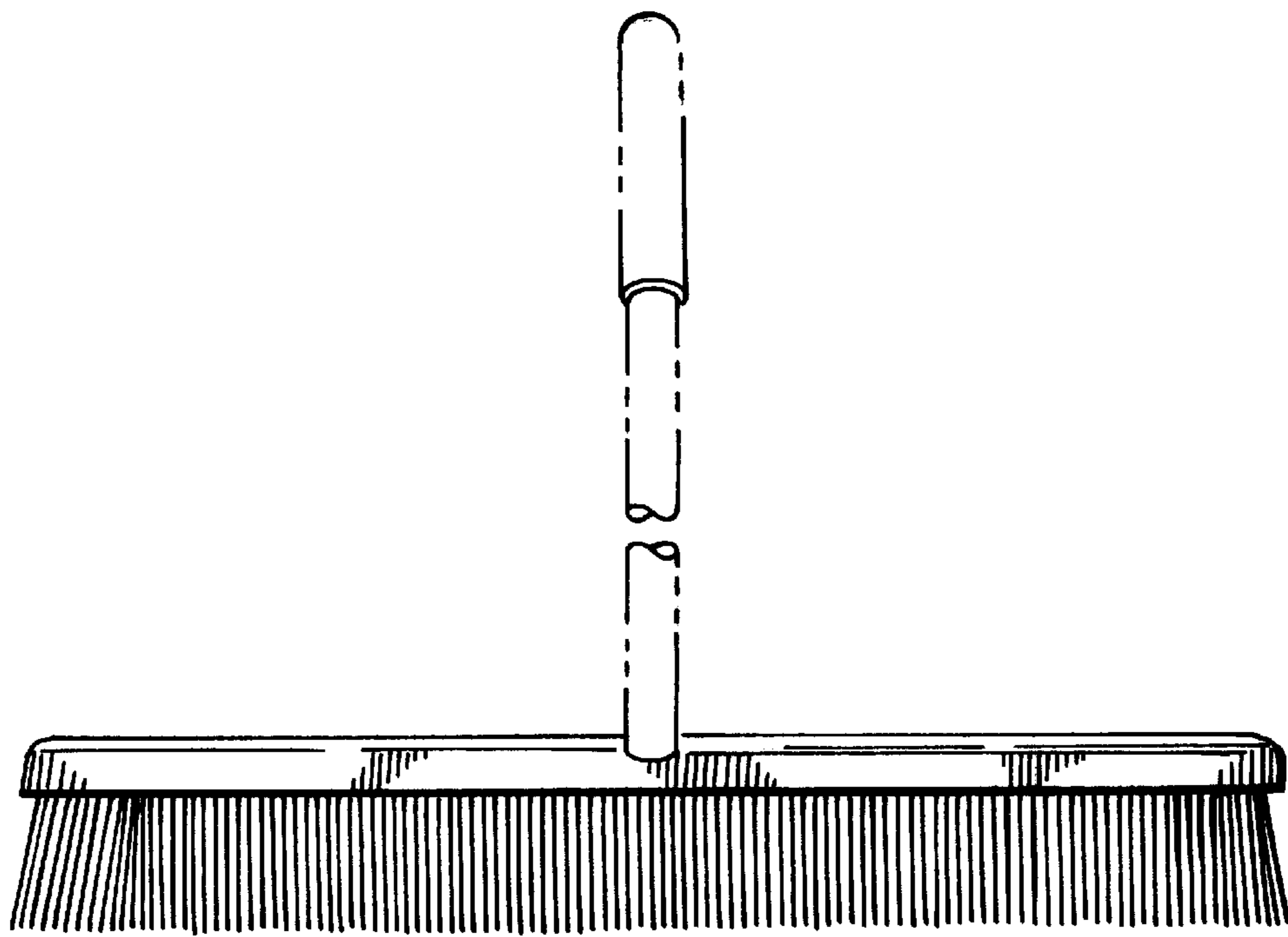


FIG. 5

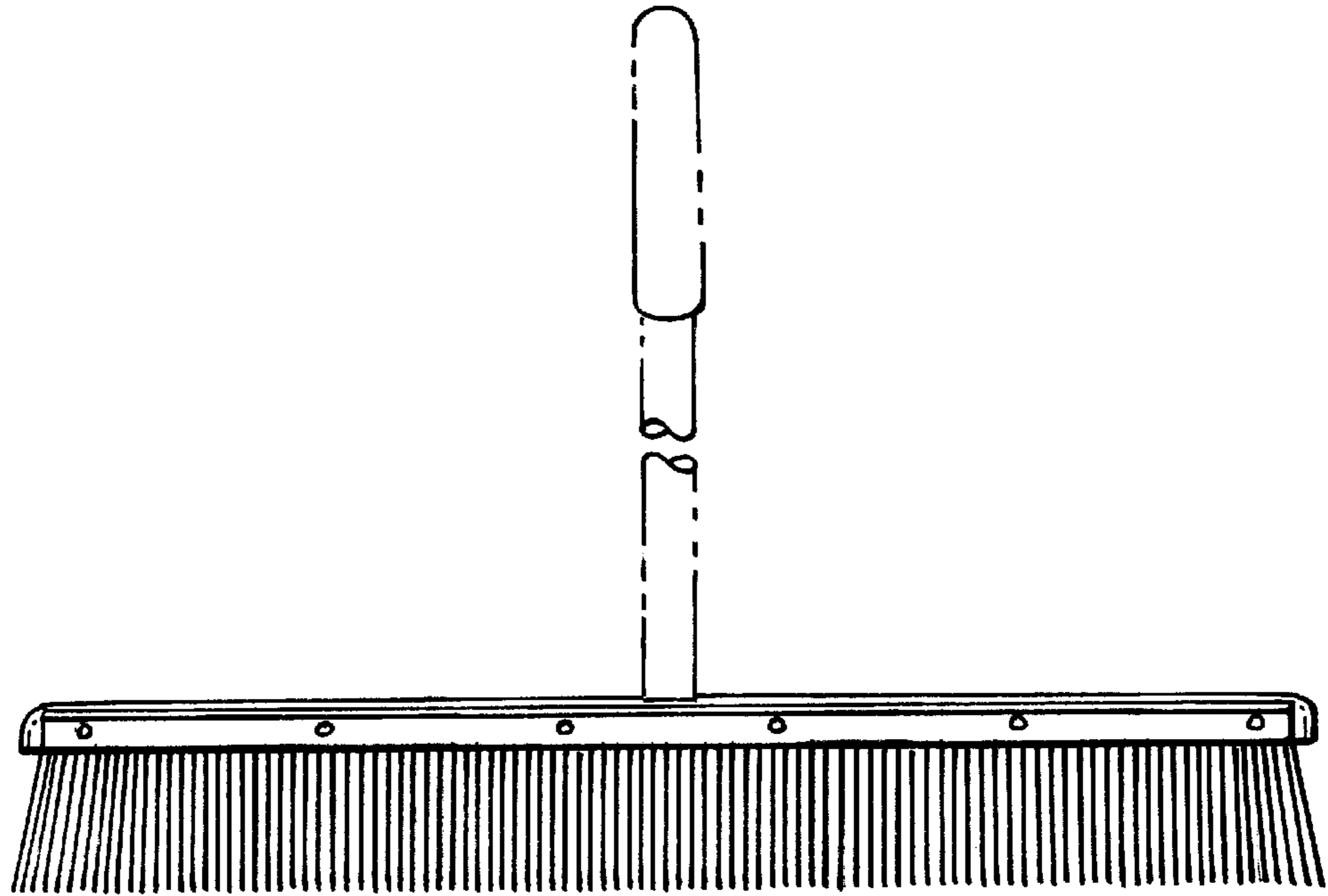


FIG. 6

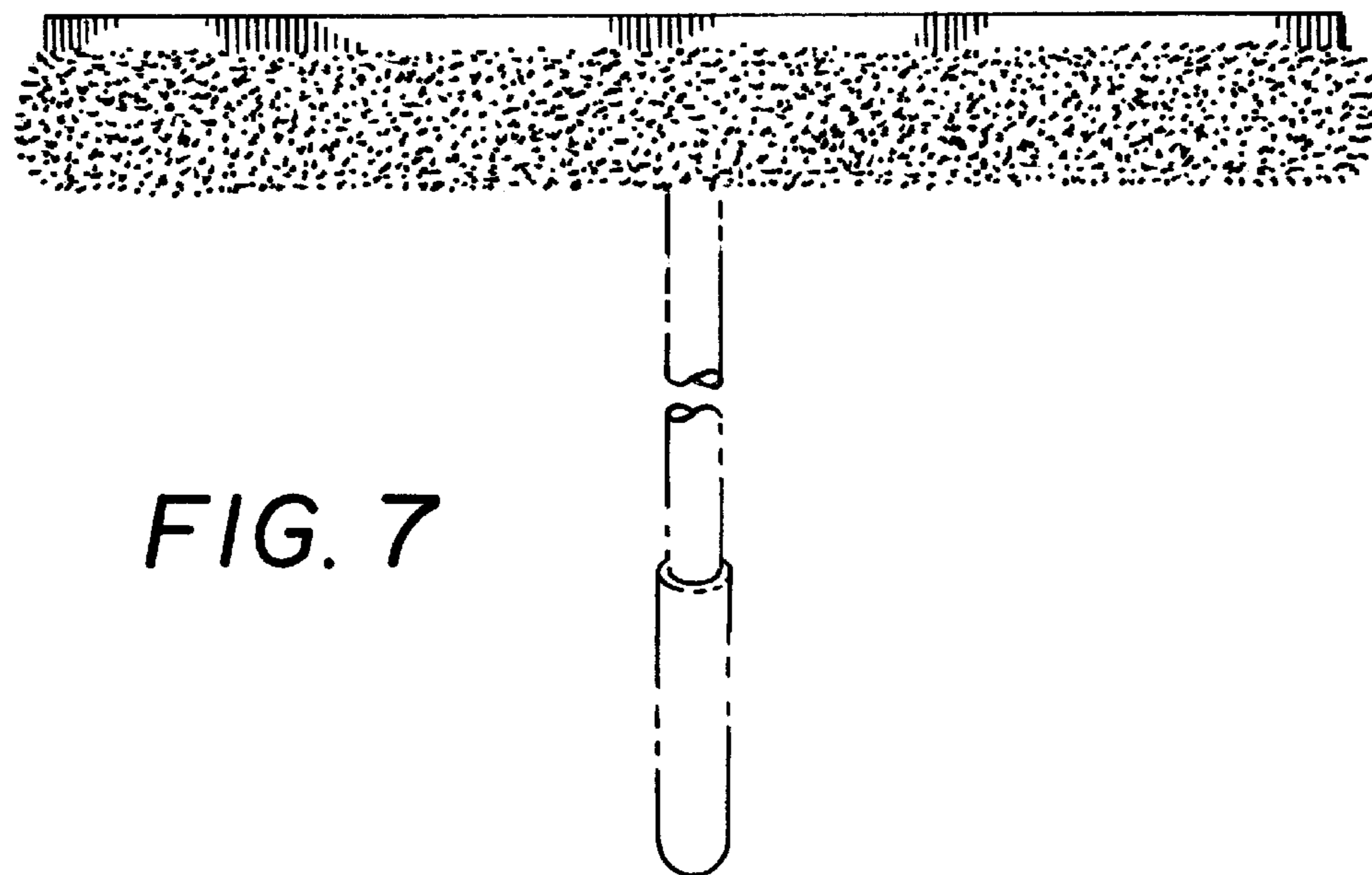


FIG. 7