



US00D439053S

(12) **United States Design Patent**  
**Hay**

(10) **Patent No.:** **US D439,053 S**

(45) **Date of Patent:** **\*\* Mar. 20, 2001**

(54) **HAND-HELD CLEANING DEVICE**

OTHER PUBLICATIONS

(75) Inventor: **Donald Hay**, Wanchai (HK)

Home Trends, 'Mr. Scubby' cleaning brush—Item No. L024, p. 63, © 1996.\*

(73) Assignee: **Hayco Manufacturing Ltd.** (HK)

\* cited by examiner

(\*\*) Term: **14 Years**

*Primary Examiner*—Alan P. Douglas

(21) Appl. No.: **29/117,018**

*Assistant Examiner*—Lavone Tabor

(22) Filed: **Jan. 14, 2000**

(74) *Attorney, Agent, or Firm*—Reese Taylor

(51) **LOC (7) Cl.** ..... **04-01**

(57) **CLAIM**

(52) **U.S. Cl.** ..... **D4/114; D4/121; D4/127**

I claim the ornamental design for a hand-held cleaning device, as shown and described.

(58) **Field of Search** ..... D4/100, 102, 114,  
D4/121, 127, 130; D32/45, 52; 15/104.92,  
159.1, 160, 186, 187; 401/136–137, 192,  
268, 270–271, 273–275, 279, 282, 284,  
286, 288, 290

**DESCRIPTION**

(56) **References Cited**

**U.S. PATENT DOCUMENTS**

D. 201,428 \* 6/1965 Kellis ..... D4/114  
D. 307,216 \* 4/1990 Yuen ..... D4/102  
D. 326,778 \* 6/1992 Vetter ..... D4/114

FIG. 1 is a perspective view of a hand-held cleaning device showing my design;

FIG. 2 is a perspective view therefor with the cap removed;

FIG. 3 is a top view thereof;

FIG. 4 is a bottom view thereof;

FIG. 5 is a front view thereof;

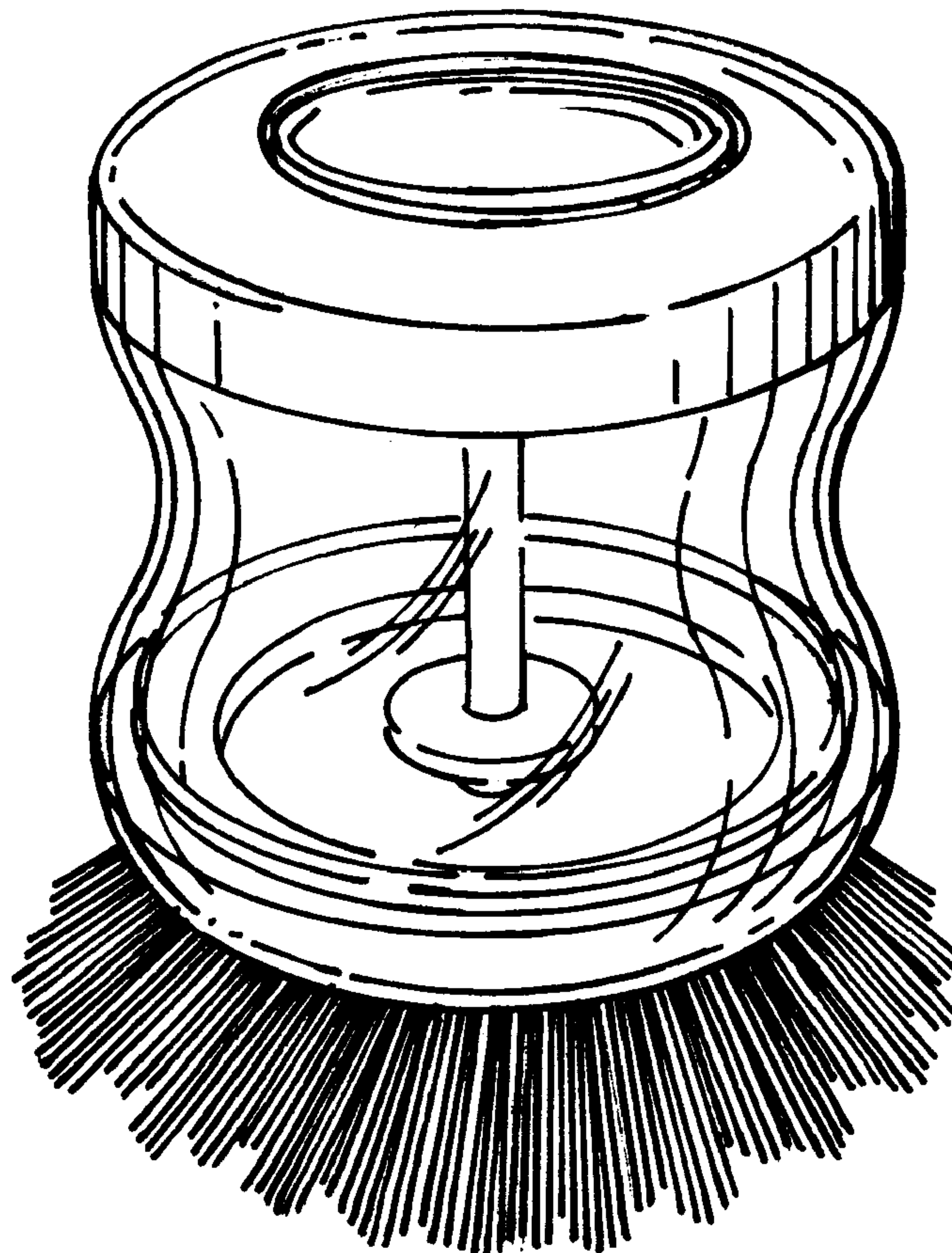
FIG. 6 is a rear view thereof; and,

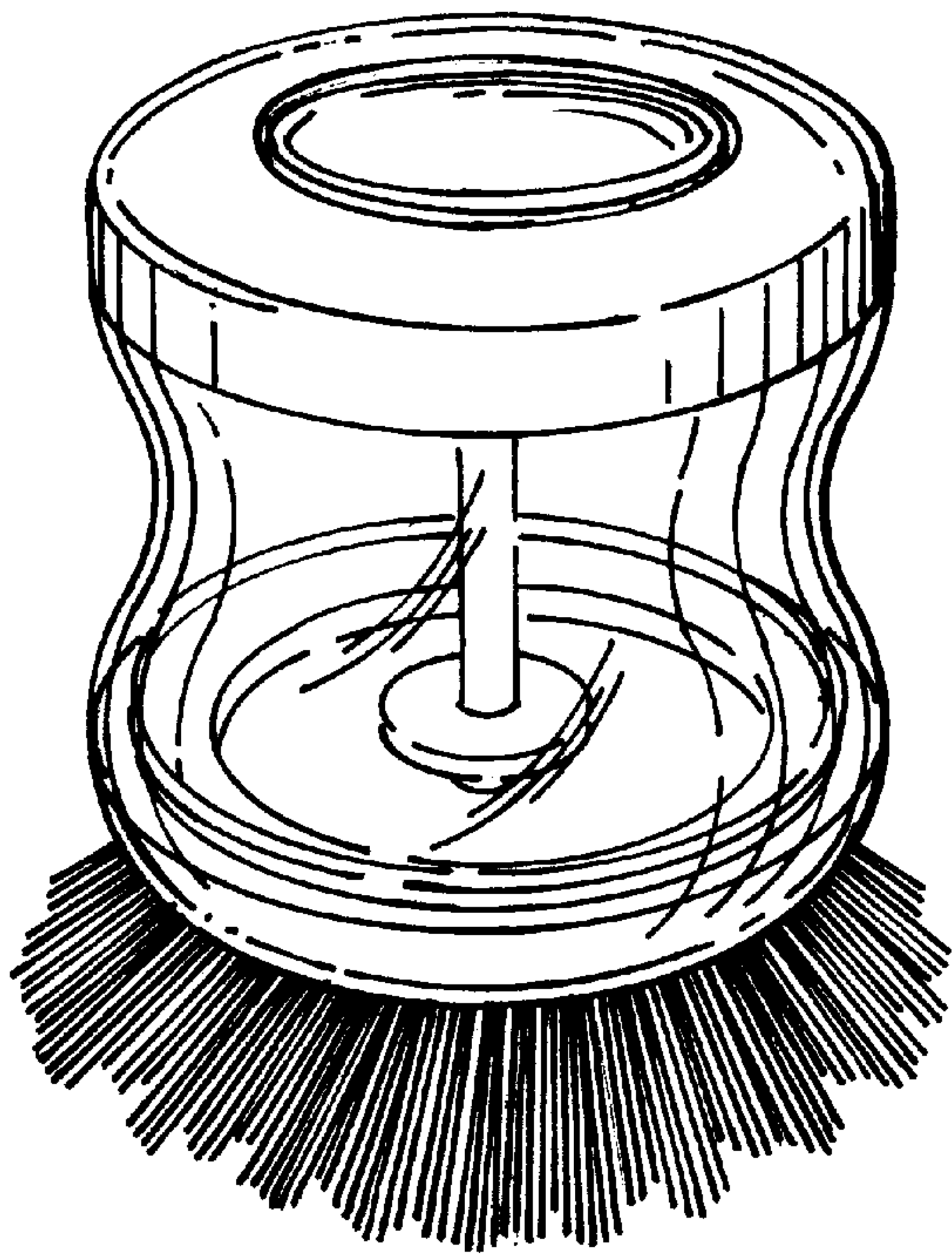
FIG. 7 is a side view at 90° to FIG. 5 or FIG. 6.

**FOREIGN PATENT DOCUMENTS**

2232075 \* 5/1990 (GB) .

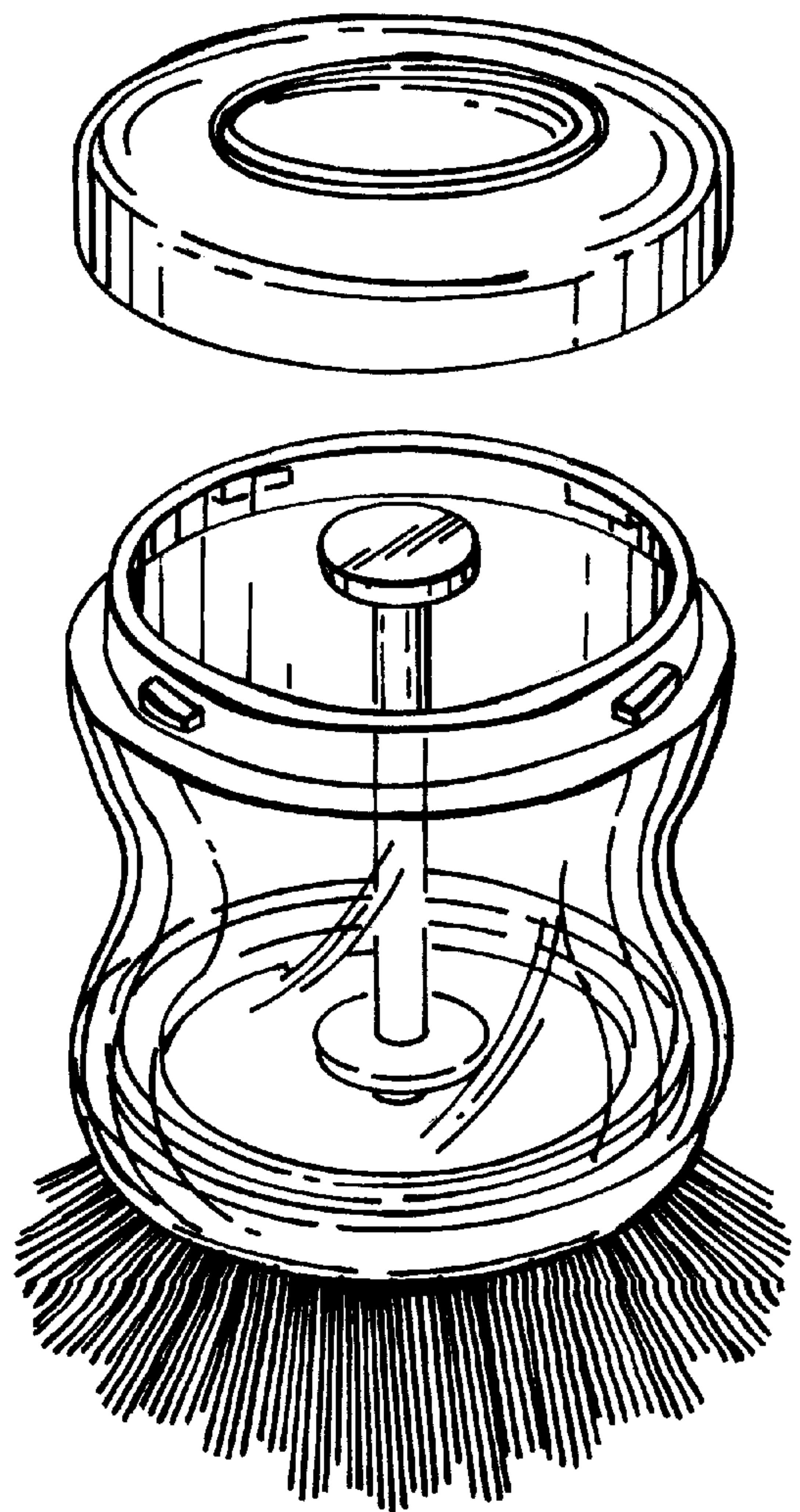
**1 Claim, 4 Drawing Sheets**

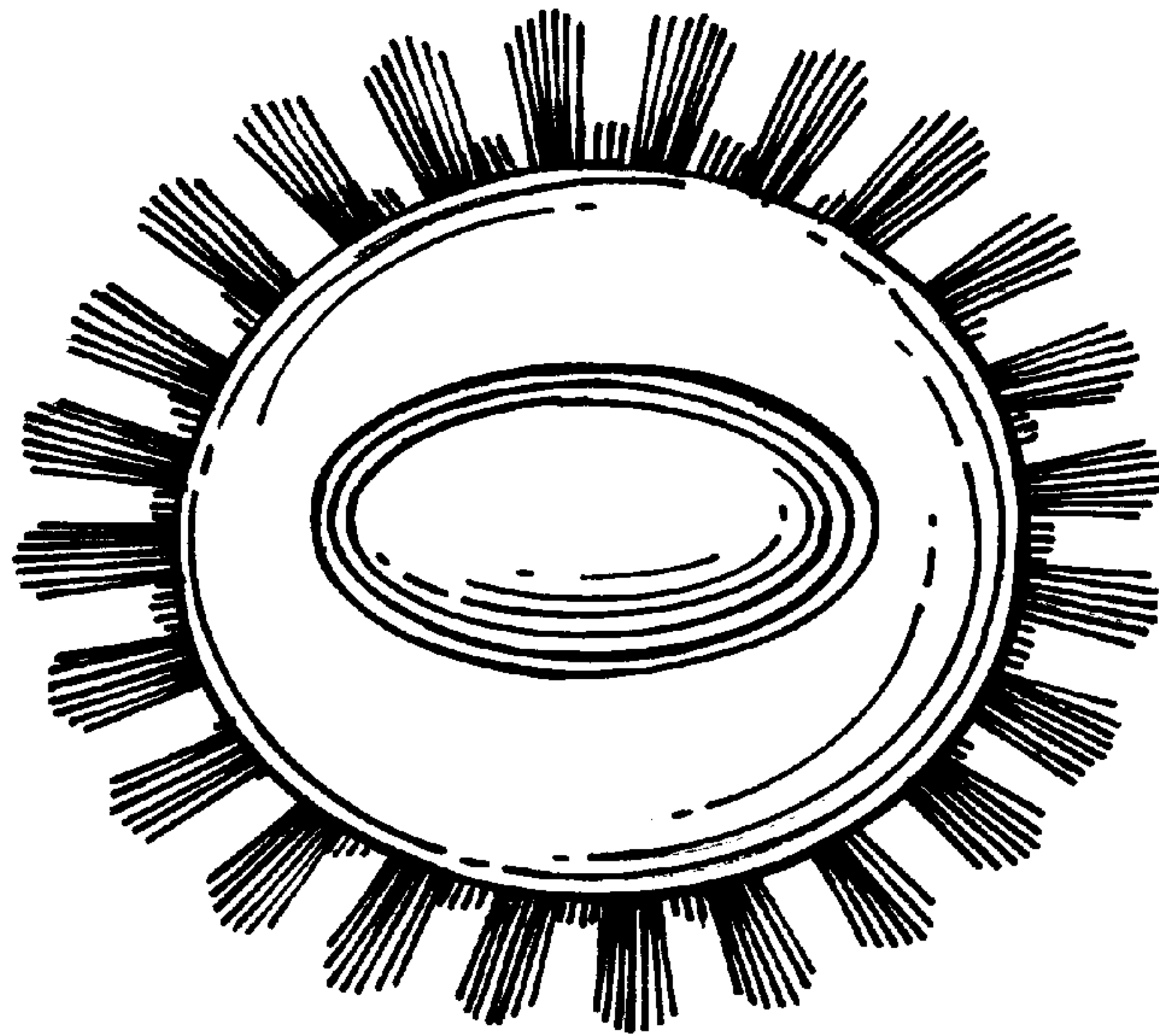




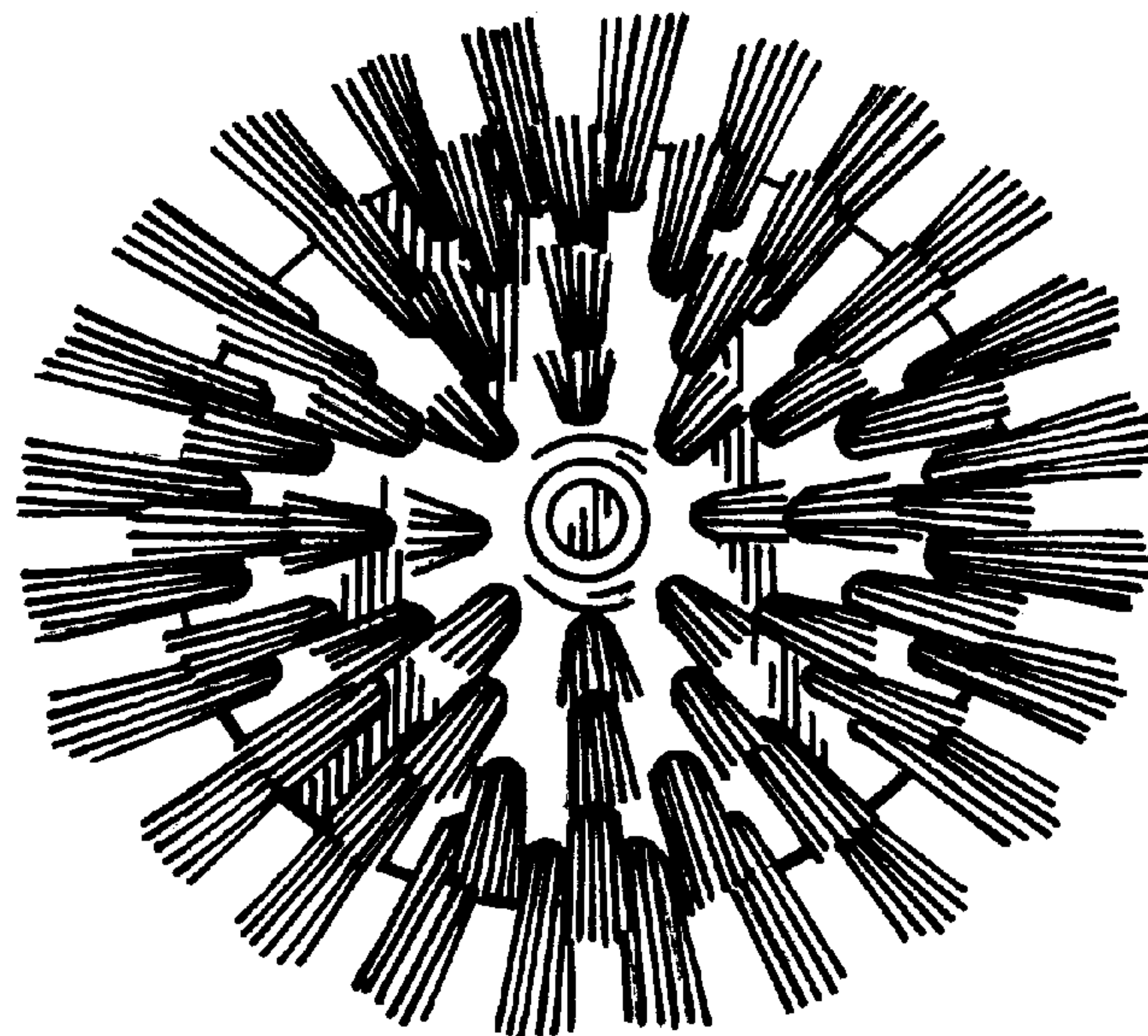
*FIG. 1*

*FIG. 2*



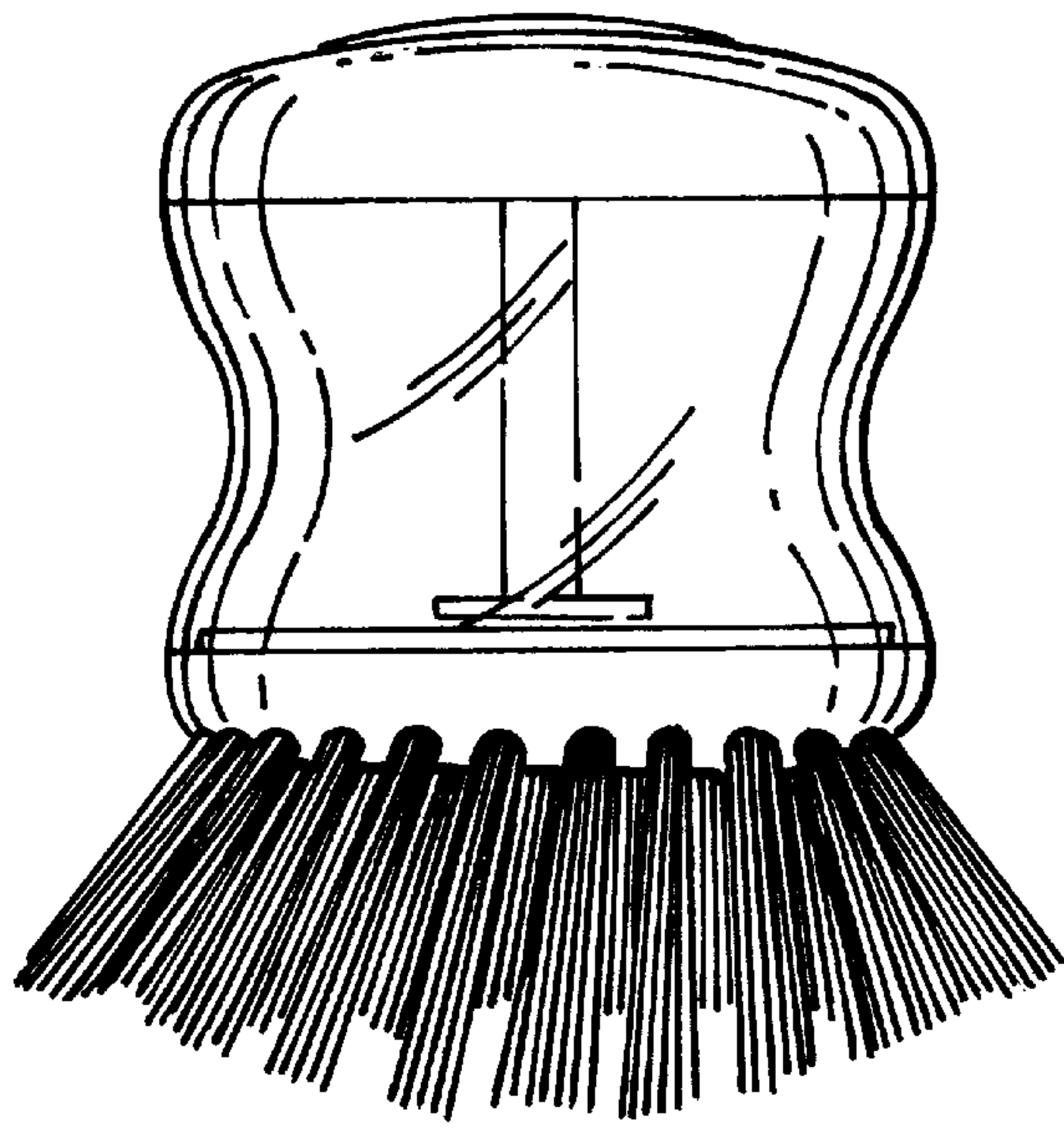


*FIG. 3*

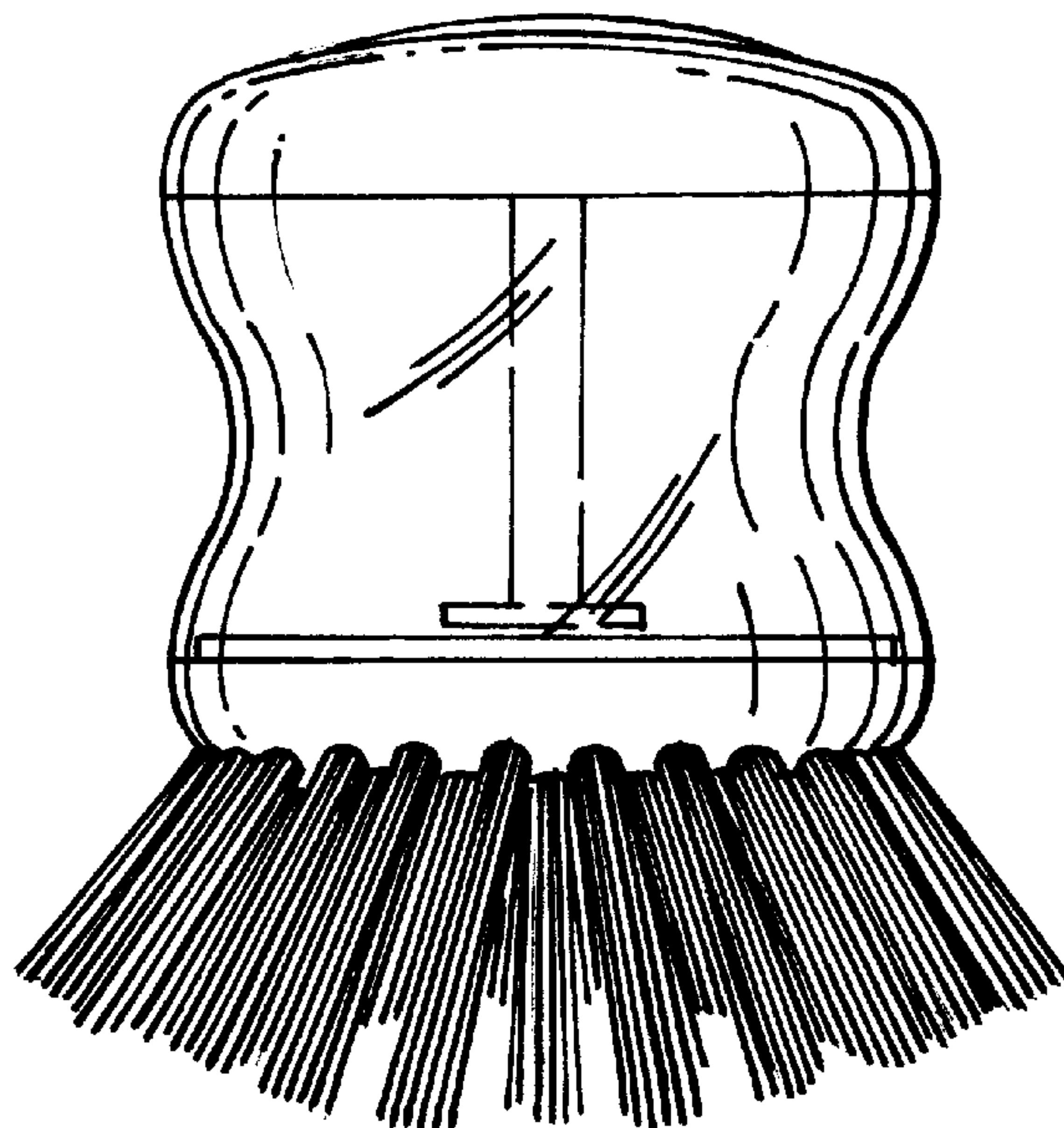


*FIG. 4*

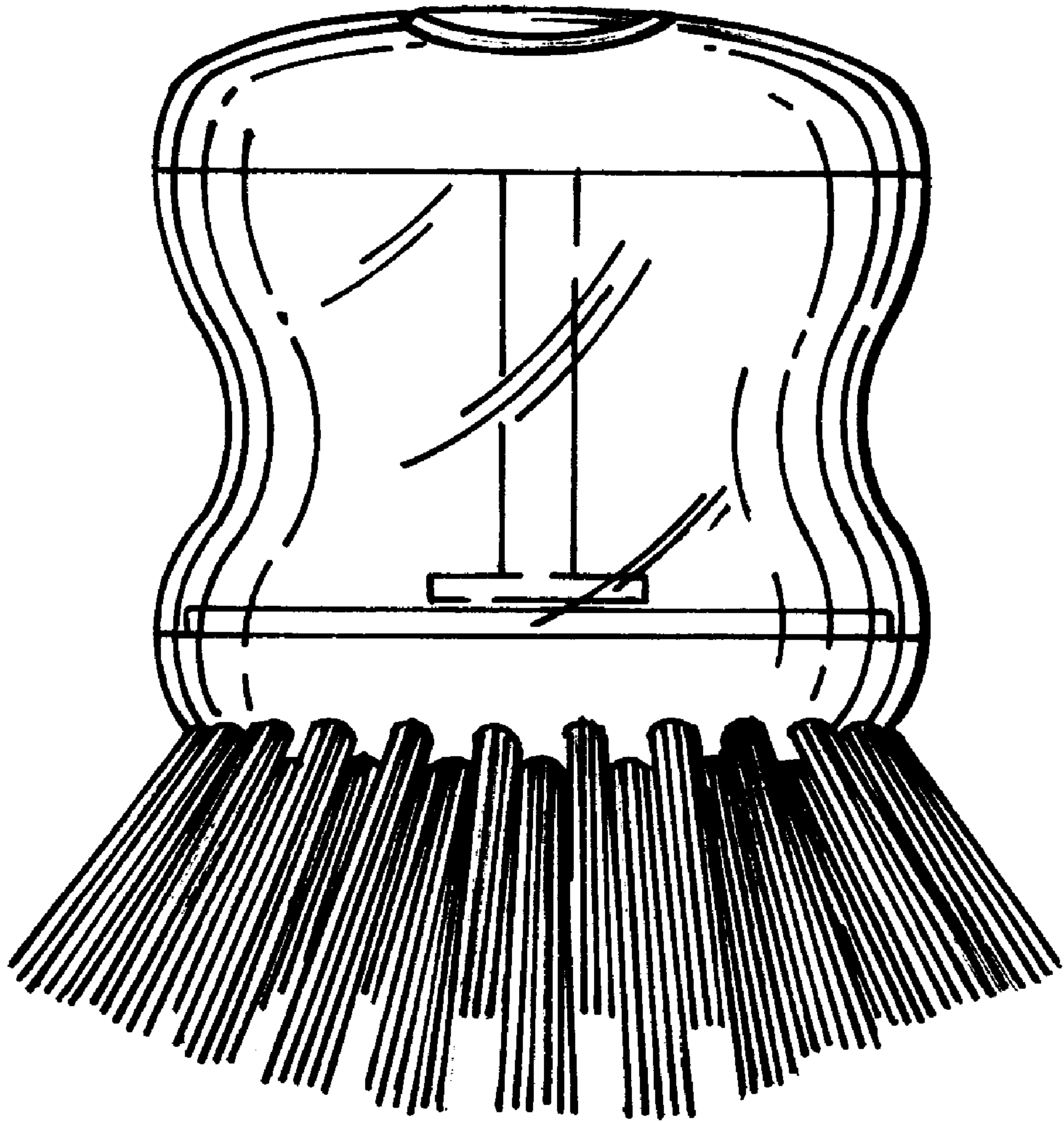




*FIG. 5*



*FIG. 6*



**FIG. 7**