



US00D439052S

(12) **United States Design Patent**  
**Hay**

(10) **Patent No.:** **US D439,052 S**

(45) **Date of Patent:** **\*\* Mar. 20, 2001**

(54) **HAND-HELD CLEANING DEVICE**

FOREIGN PATENT DOCUMENTS

(75) Inventor: **Donald Hay**, Wanchai (HK)

2232075 \* 5/1990 (GB) .

(73) Assignee: **Hayco Manufacturing Ltd.**, Hong Kong (HK)

OTHER PUBLICATIONS

(\*\*) Term: **14 Years**

Home Trends, 'Mr. Scubby' cleaning brush —item No. L024, p. 63,©1996.\*

(21) Appl. No.: **29/117,017**

\* cited by examiner

(22) Filed: **Jan. 14, 2000**

*Primary Examiner*—Alan P. Douglas

*Assistant Examiner*—Lavone Tabor

(51) **LOC (7) Cl.** ..... **04-01**

(74) *Attorney, Agent, or Firm*—Reese Taylor

(52) **U.S. Cl.** ..... **D4/114; D4/121; D4/127**

(57) **CLAIM**

(58) **Field of Search** ..... D4/100, 102, 114, D4/121, 127, 130; D32/45, 52; 15/104.92, 159.1, 160, 186, 187; 401/136–137, 192, 268, 270–271, 273–275, 279, 282, 284, 286, 288, 290

I claim the ornamental design for a hand-held cleaning device, as shown and described.

**DESCRIPTION**

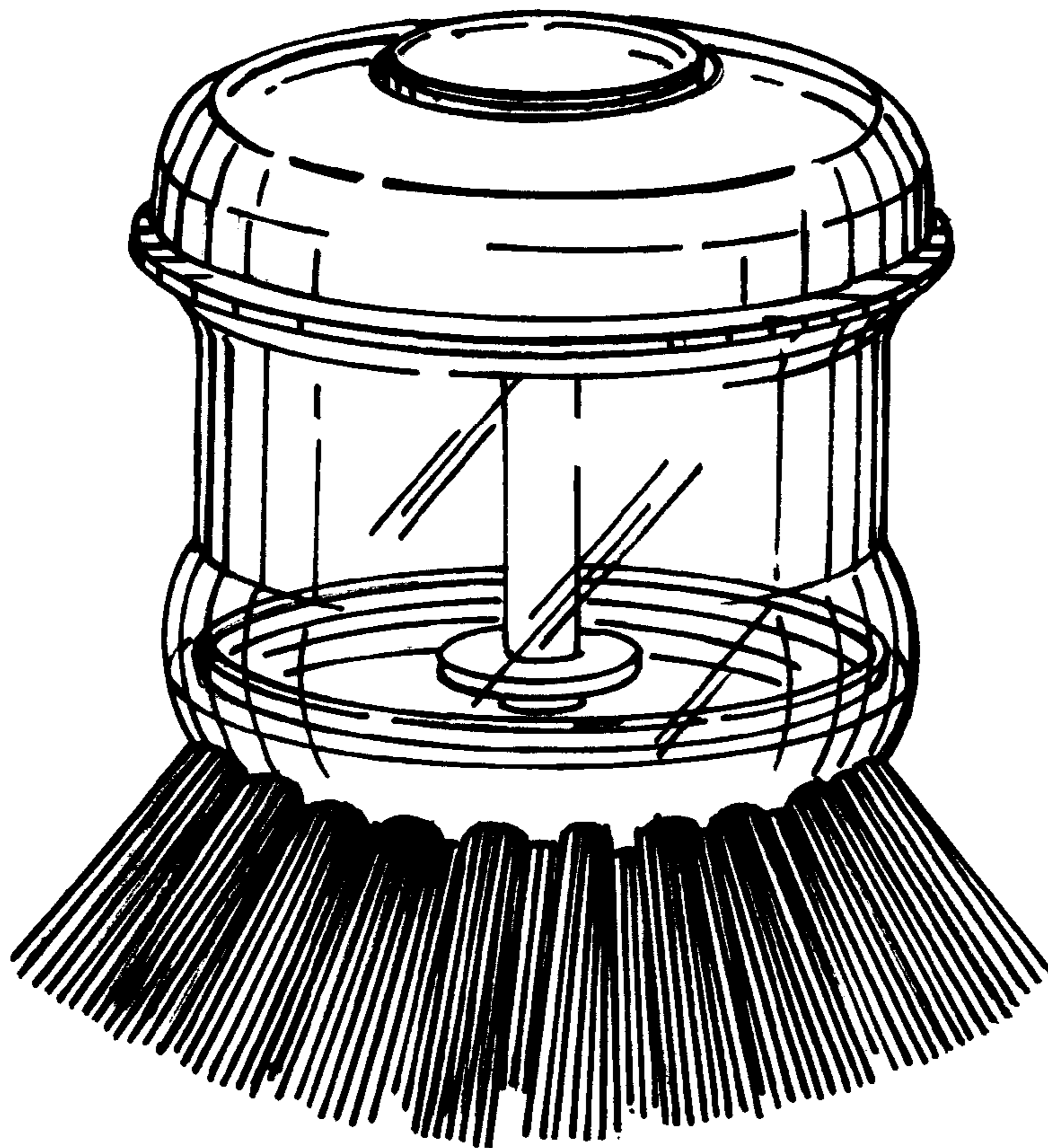
(56) **References Cited**

**U.S. PATENT DOCUMENTS**

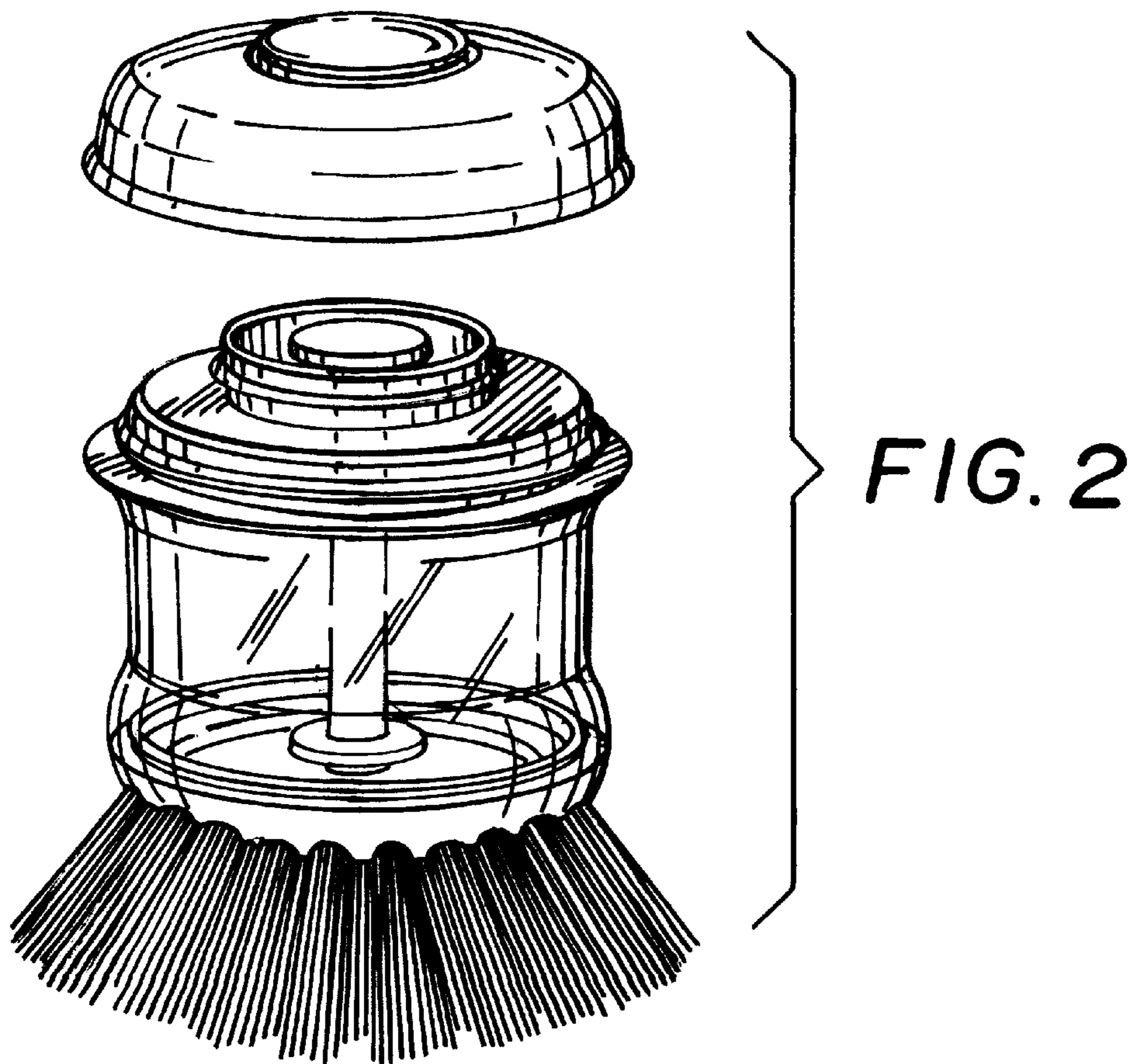
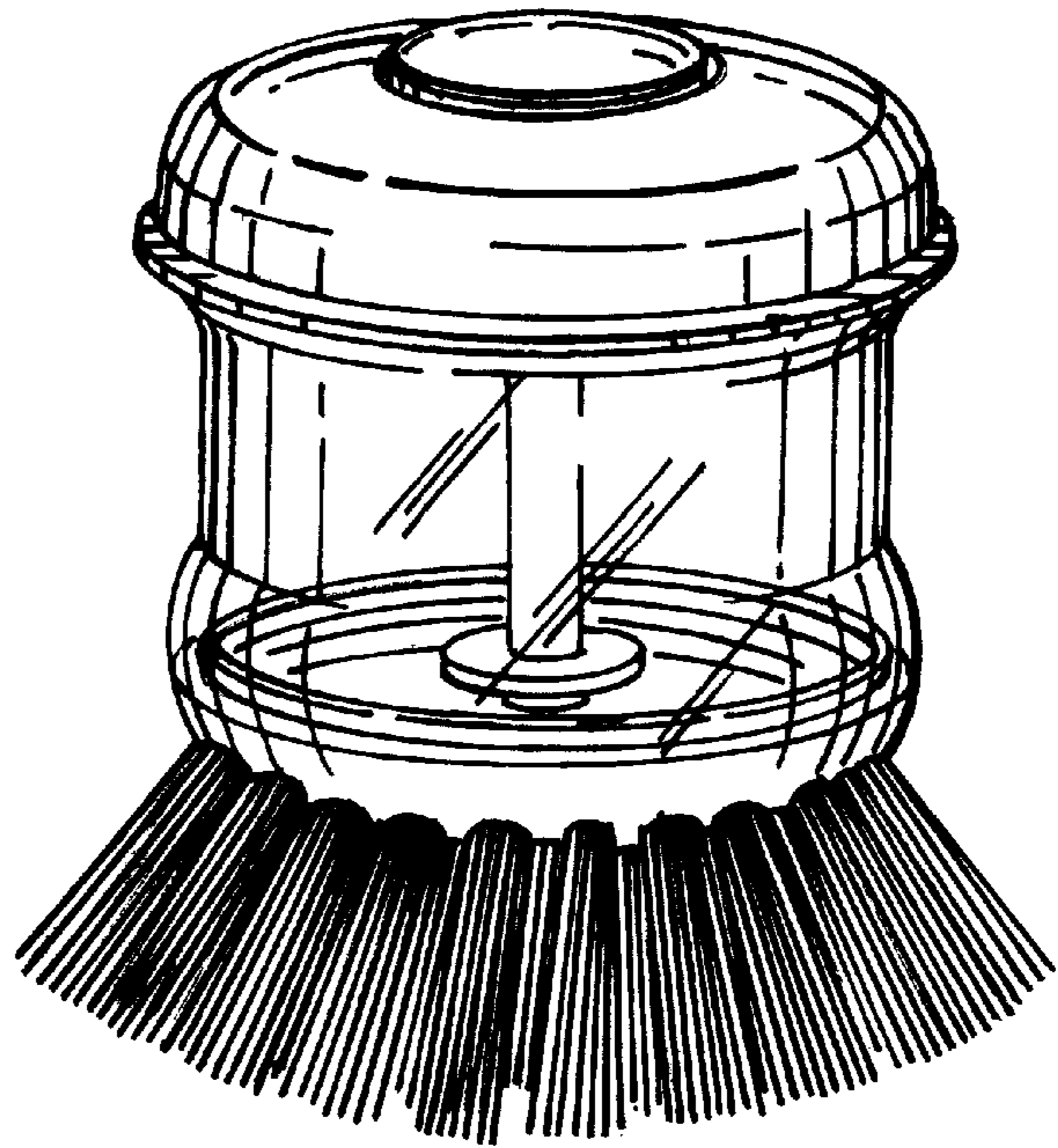
- D. 201,428 \* 6/1965 Kellis ..... D4/114
- D. 307,218 \* 4/1990 Yuen ..... D4/102
- D. 326,778 \* 6/1992 Vetter ..... D4/114

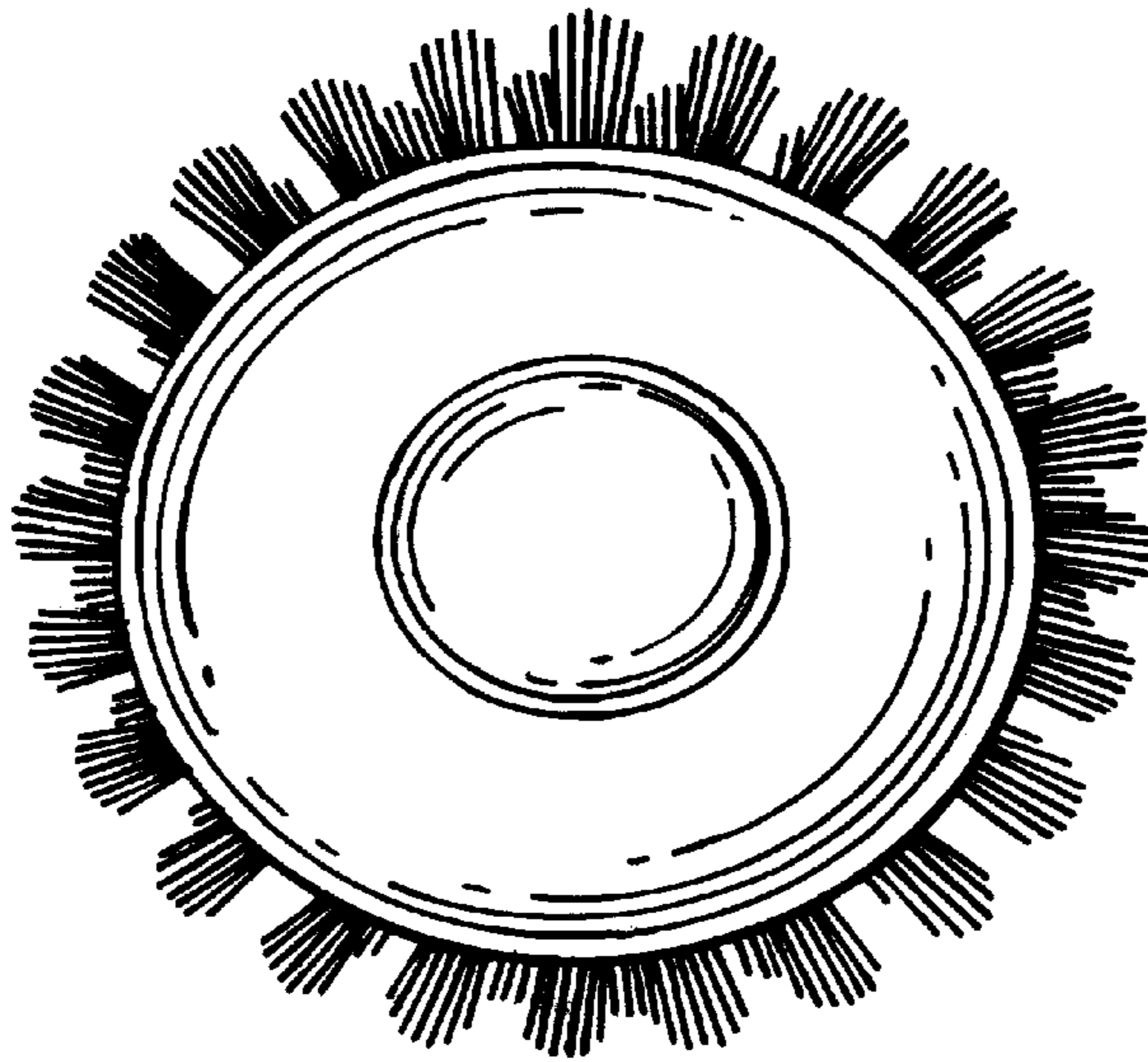
FIG. 1 is a perspective view of a hand-held cleaning device showing my design;  
FIG. 2 is a perspective view therefor with the cap removed;  
FIG. 3 is a top view thereof;  
FIG. 4 is a bottom view thereof;  
FIG. 5 is a side view thereof; and,  
FIG. 6 is another side view thereof.

**1 Claim, 3 Drawing Sheets**

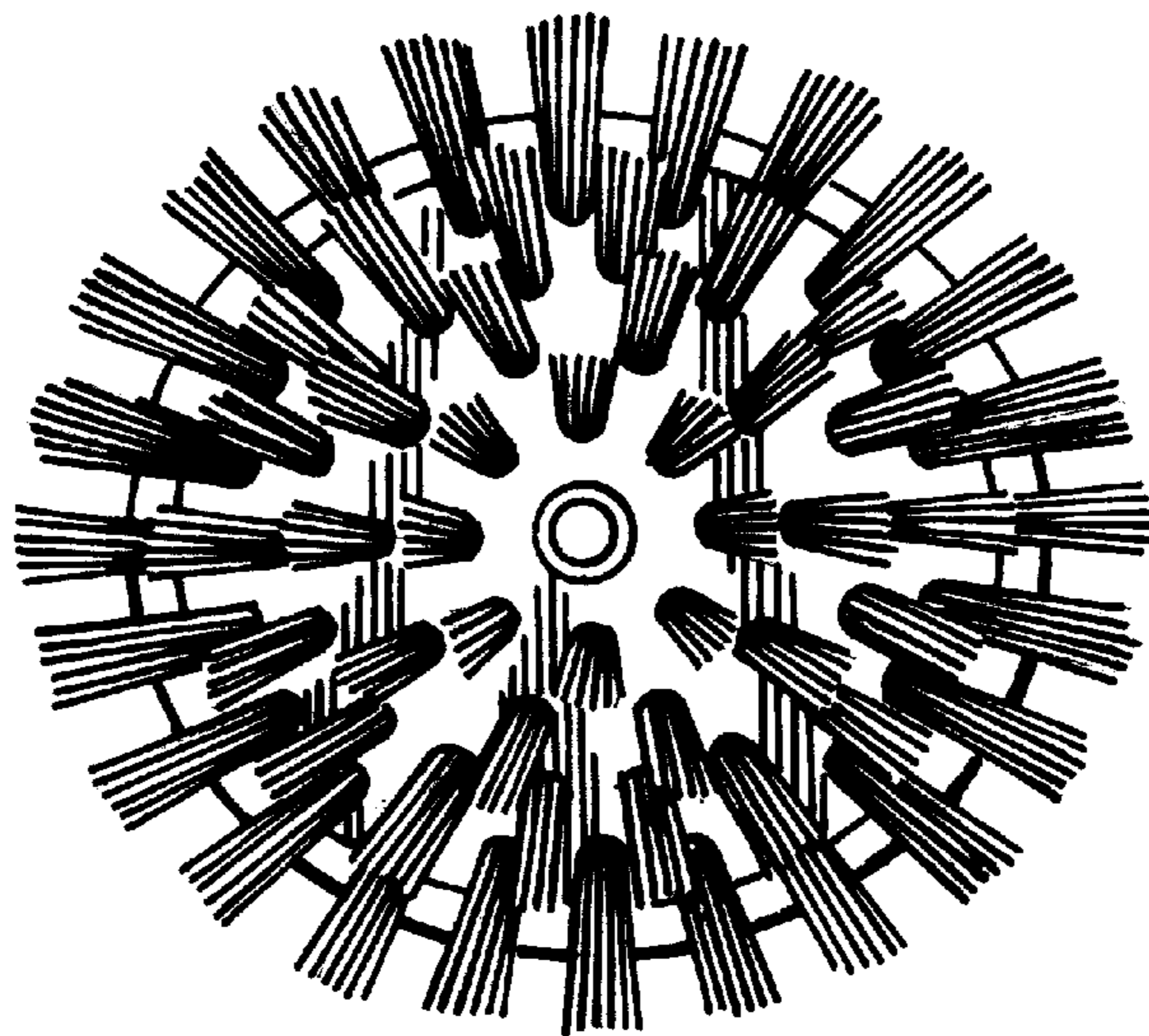


*FIG. 1*



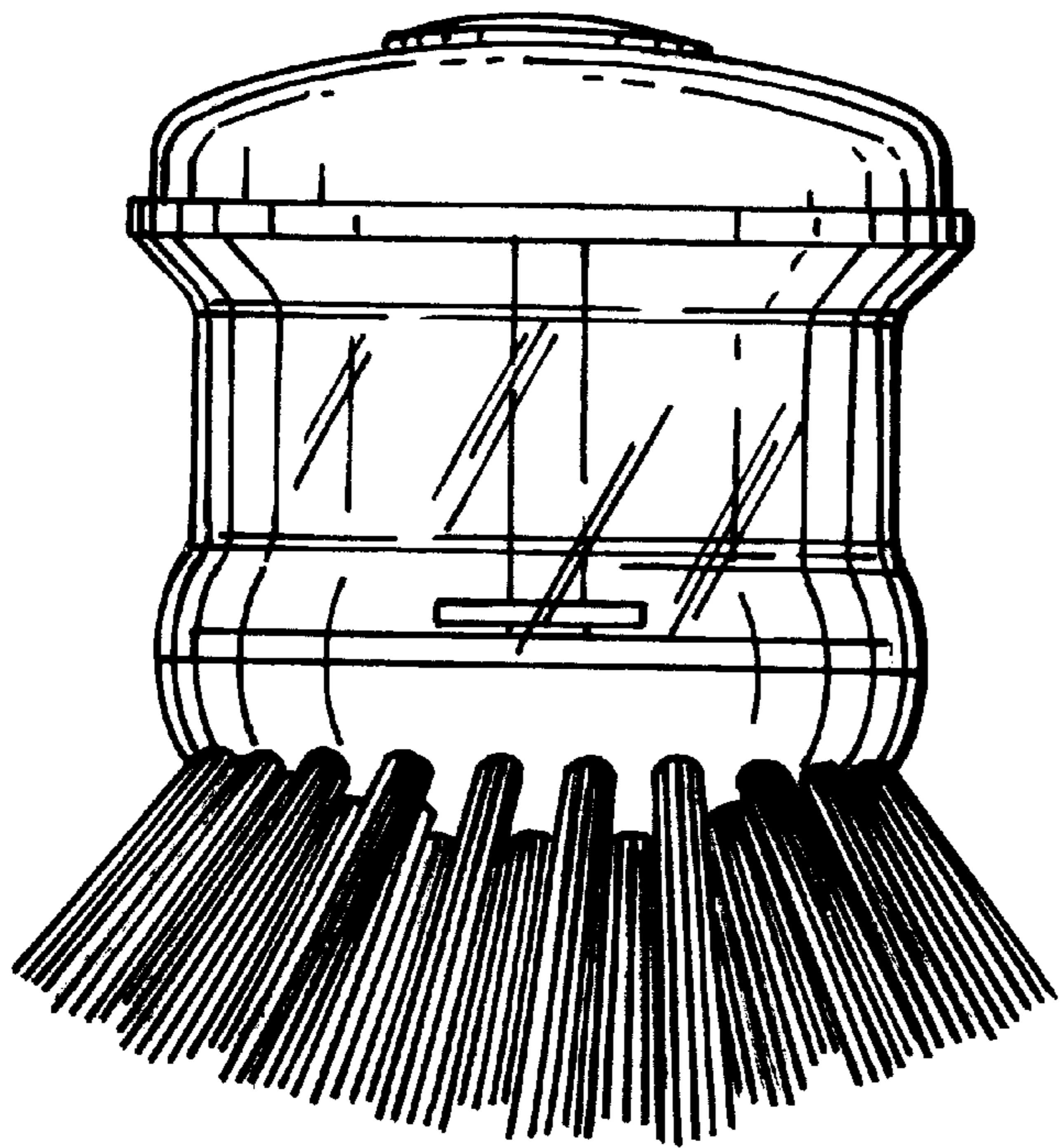
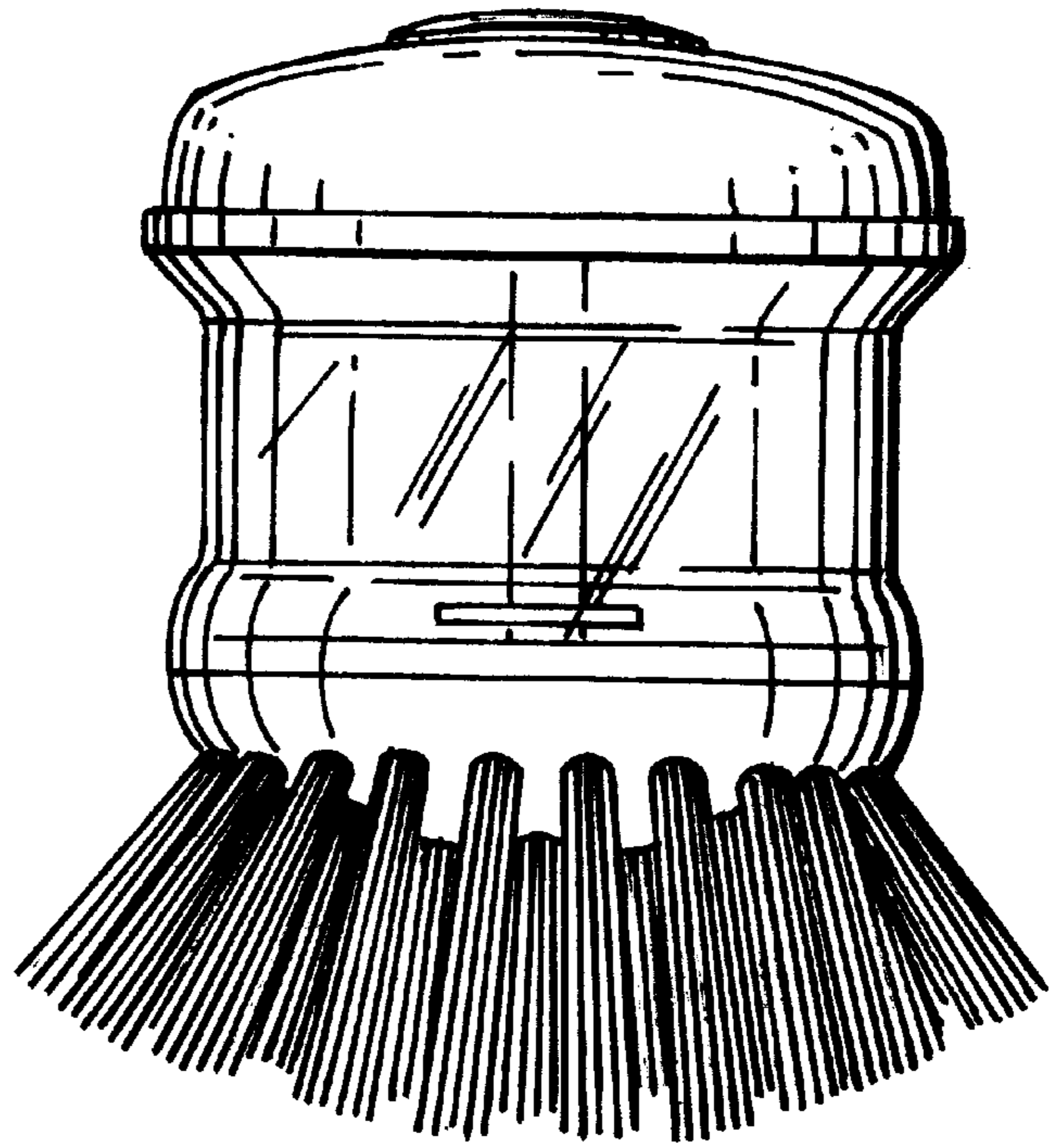


*FIG. 3*



*FIG. 4*

**FIG. 5**



**FIG. 6**