



US00D439051S

(12) **United States Design Patent**
White

(10) **Patent No.:** **US D439,051 S**

(45) **Date of Patent:** **** Mar. 20, 2001**

(54) **ROTARY ELECTRIC HAIR BRUSH MOTOR UNIT**

FOREIGN PATENT DOCUMENTS

3607817 * 10/1987 (DE) .

(76) **Inventor:** **Patrick S. White**, 6500 Summerhill Rd., Texarkana, TX (US) 75503

* cited by examiner

(**) **Term:** **14 Years**

Primary Examiner—Alan P. Douglas
Assistant Examiner—Lavone Tabor

(21) **Appl. No.:** **29/122,286**

(57) **CLAIM**

(22) **Filed:** **Apr. 24, 2000**

The ornamental design for a rotary electric hair brush motor unit, substantially as shown and described.

(51) **LOC (7) Cl.** **04-02**

DESCRIPTION

(52) **U.S. Cl.** **D4/102; D4/138**

(58) **Field of Search** D4/100-102, 128, D4/138; 15/143.1, 145, 159.1, 160, 179, 22.1, 23-27; 132/120, 238, 271, 313

FIG. 1 is a top view of the rotary electric hair brush motor unit of the present invention also showing in dashed lines the manner in which the brush unit, not a part of the invention, is attached to the motor unit;

(56) **References Cited**

U.S. PATENT DOCUMENTS

- D. 328,976 * 9/1992 Herron D4/102
- D. 420,801 * 2/2000 Millner D4/101
- 1,766,140 * 6/1930 Narducci 15/23
- 6,098,635 * 8/2000 Marino 132/238

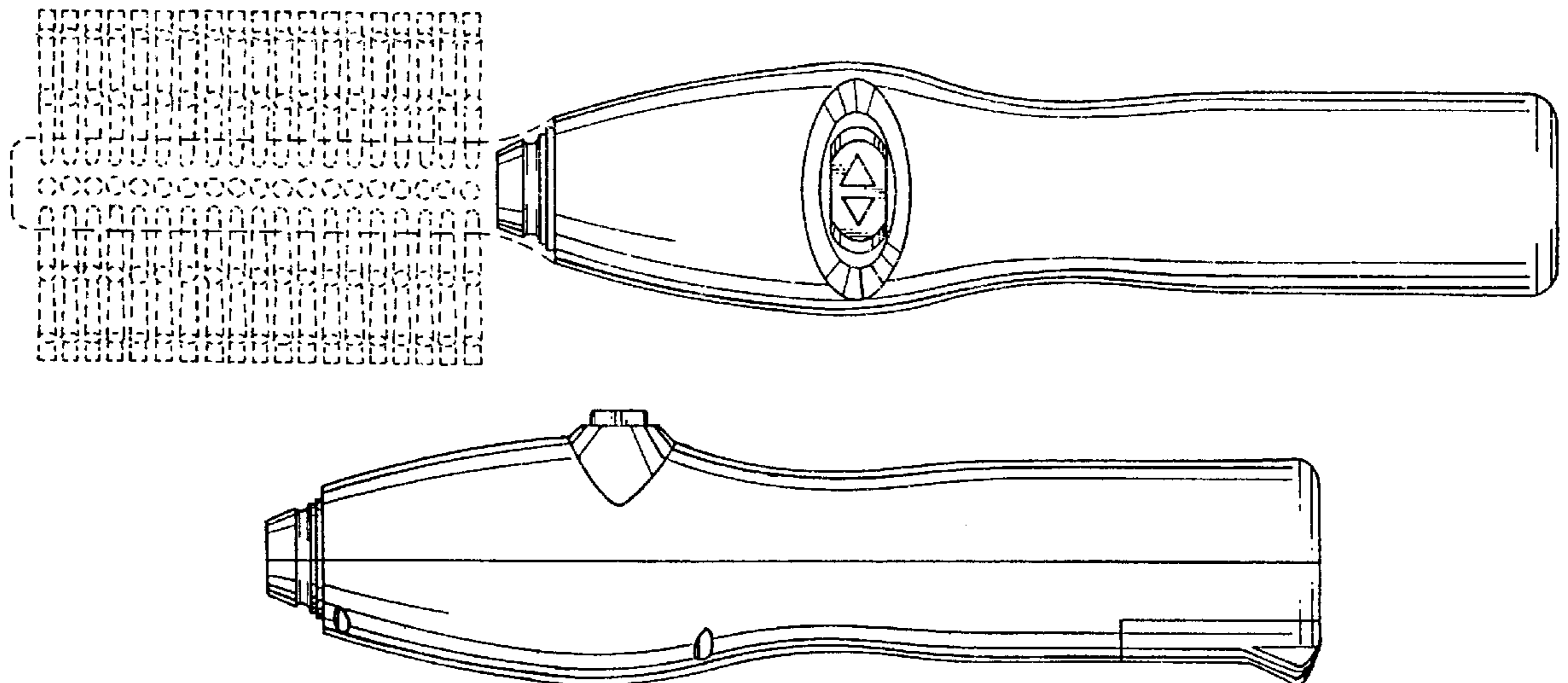
FIG. 2 is a bottom view of FIG. 1;

FIG. 3 is a left side view of FIG. 2, the right side being a mirror image thereof;

FIG. 4 is a front end view of FIG. 1; and,

FIG. 5 is a rear end view of FIG. 1.

1 Claim, 2 Drawing Sheets



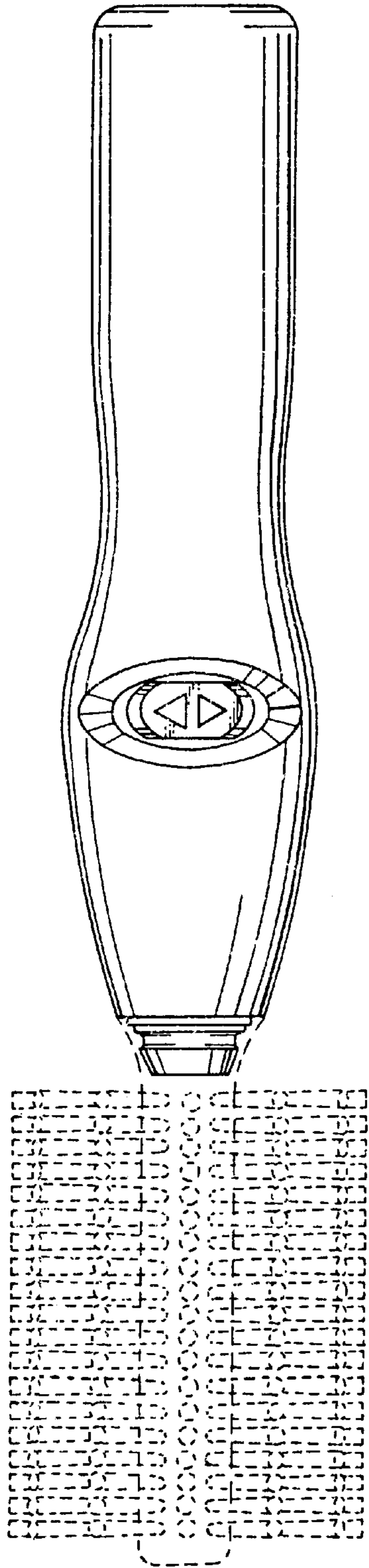


Fig. 1

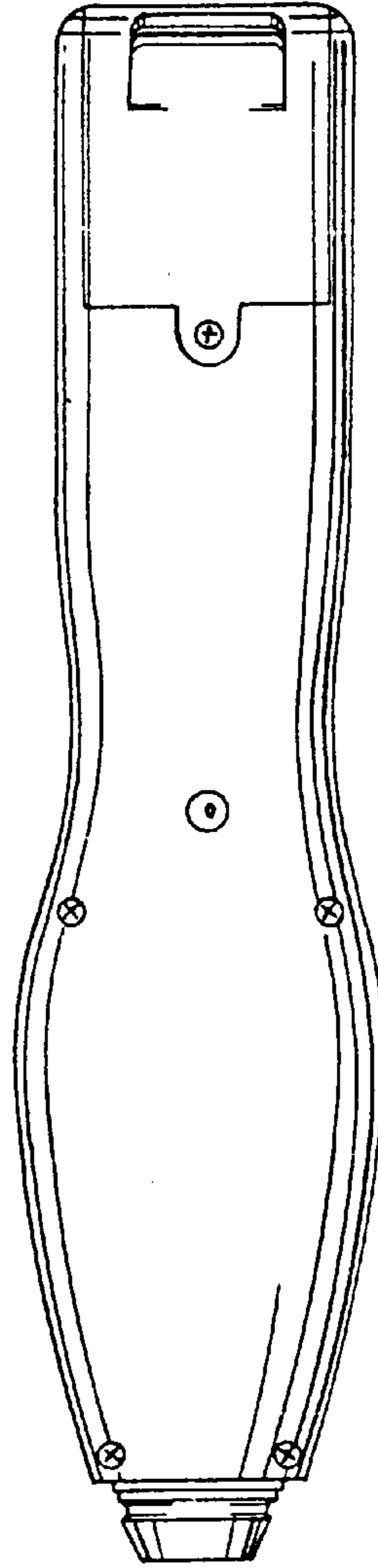


Fig. 2

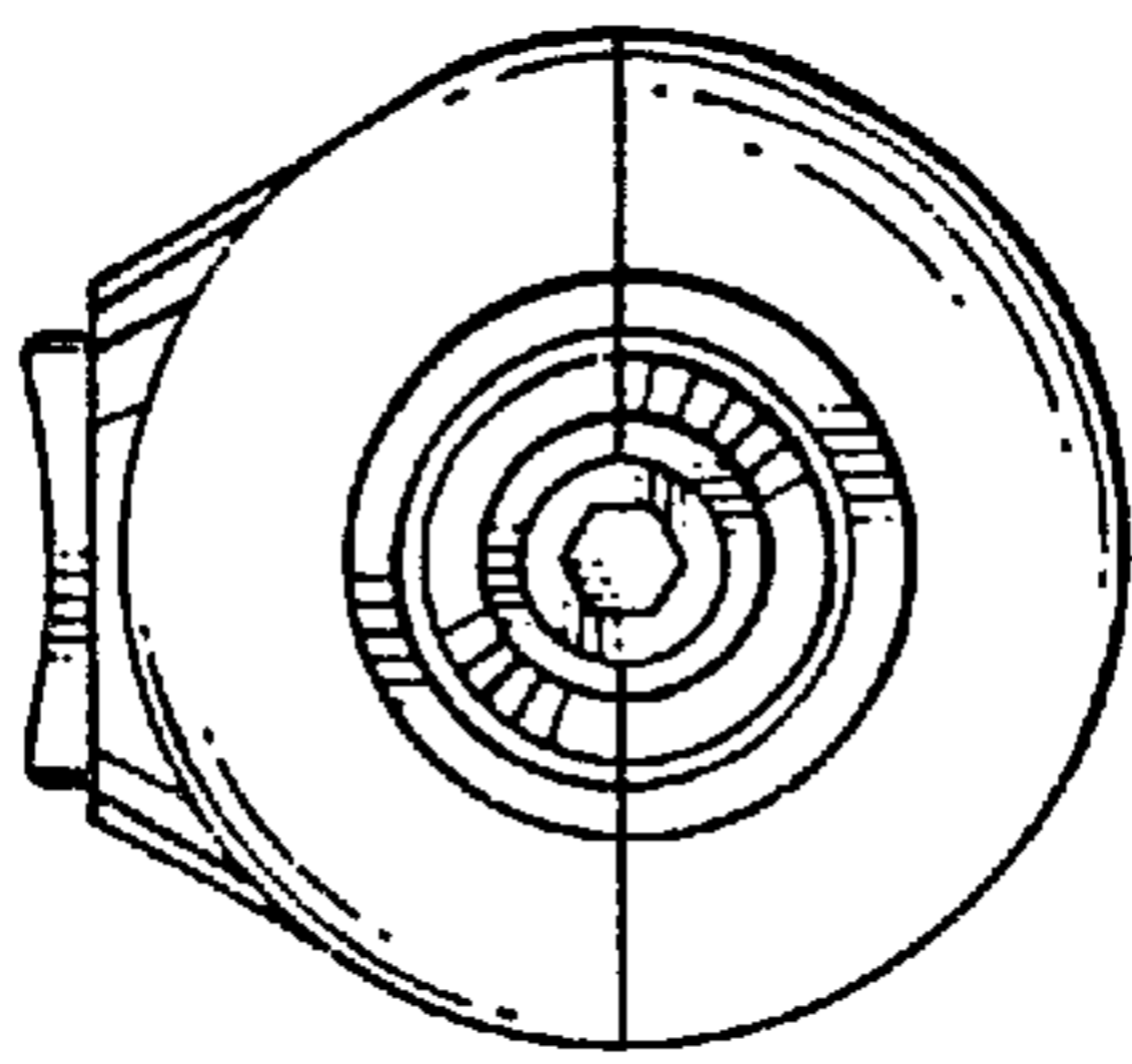


Fig. 4

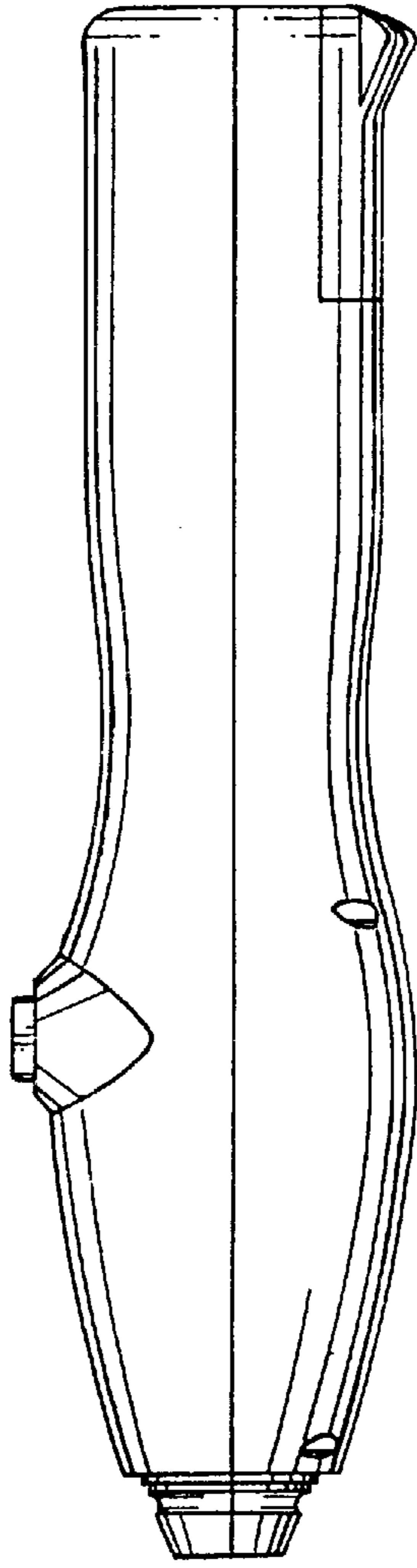


Fig. 3

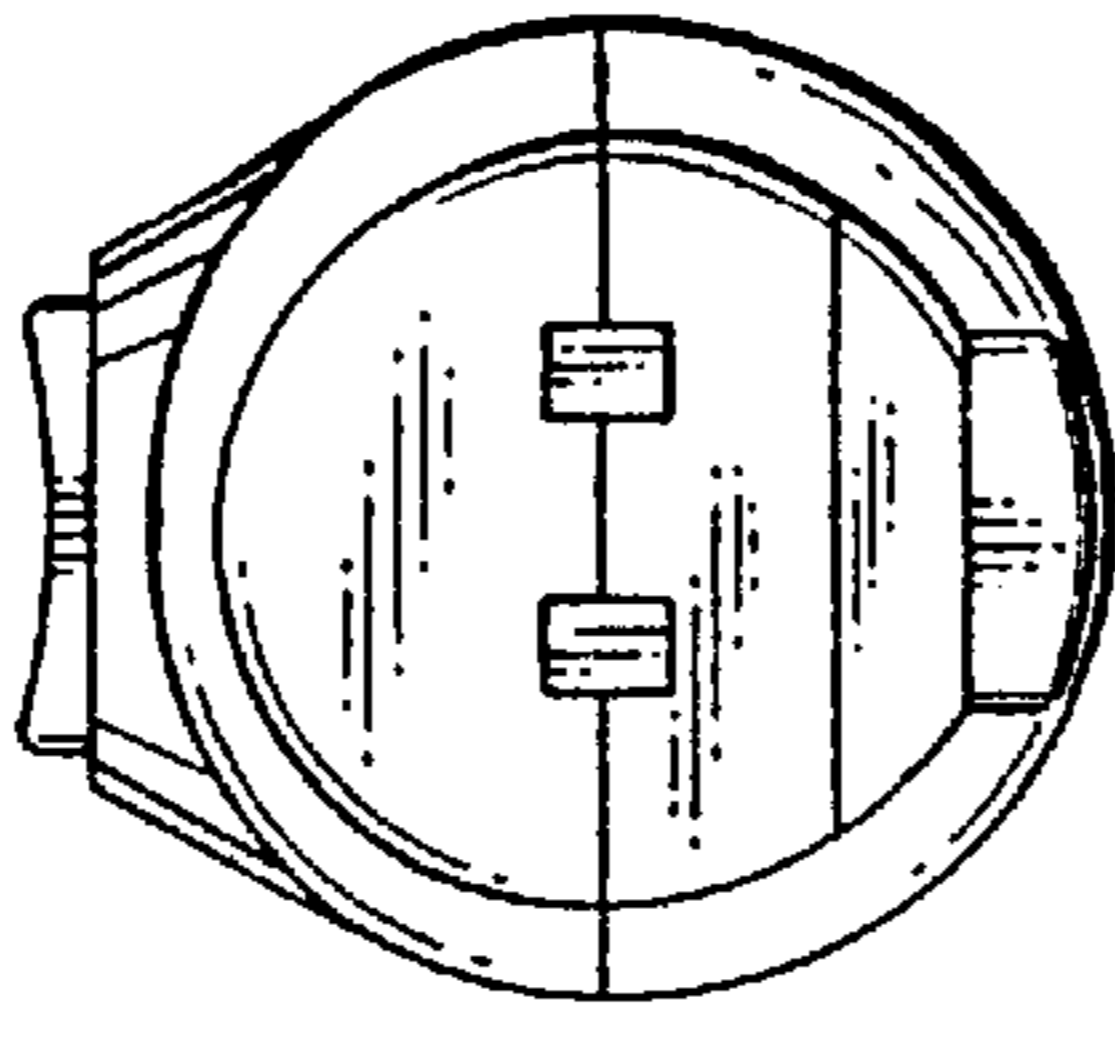


Fig. 5