



US00D439050S

(12) **United States Design Patent**  
**Connors et al.**

(10) **Patent No.:** **US D439,050 S**

(45) **Date of Patent:** **\*\* Mar. 20, 2001**

(54) **REUSABLE CONTAINER HALF**  
(75) Inventors: **Paul A. Connors**, Eagan; **Gerald J. Niles**; **John M. Darst**, both of Oakdale, all of MN (US)

(73) Assignee: **3M Innovative Properties Company**, St. Paul, MN (US)

(\*\*) Term: **14 Years**

(21) Appl. No.: **29/103,020**

(22) Filed: **Apr. 6, 1999**

(51) **LOC (7) Cl.** ..... **03-99**

(52) **U.S. Cl.** ..... **D3/321**

(58) **Field of Search** ..... D3/321, 318, 323, D3/322; 206/394, 416, 497, 403, 328; 220/62, 3.94, 3.92, 3.8, 3.6; D9/424, 425, 341

(56) **References Cited**

**U.S. PATENT DOCUMENTS**

- 1,498,245 \* 6/1924 Le May ..... 220/62
- 2,801,784 \* 8/1957 Blatt ..... 220/62
- 3,993,212 \* 11/1976 Ryan ..... 220/3.6
- 4,135,633 \* 1/1979 Lockwood et al. .... 220/3.94
- 4,457,429 \* 7/1984 Huber et al. .... 206/394

- 4,708,246 \* 11/1987 Minion ..... 206/394
- 5,007,536 4/1991 Huebner et al. .... 206/394
- 5,366,079 \* 11/1994 Lin et al. .... 206/328
- 5,667,090 \* 9/1997 Langham, Jr. et al. .... 220/62 X

\* cited by examiner

*Primary Examiner*—Louis S. Zarfaz

*Assistant Examiner*—Catherine R. Oliver

(74) *Attorney, Agent, or Firm*—Douglas B. Little; Dean M. Harts

(57) **CLAIM**

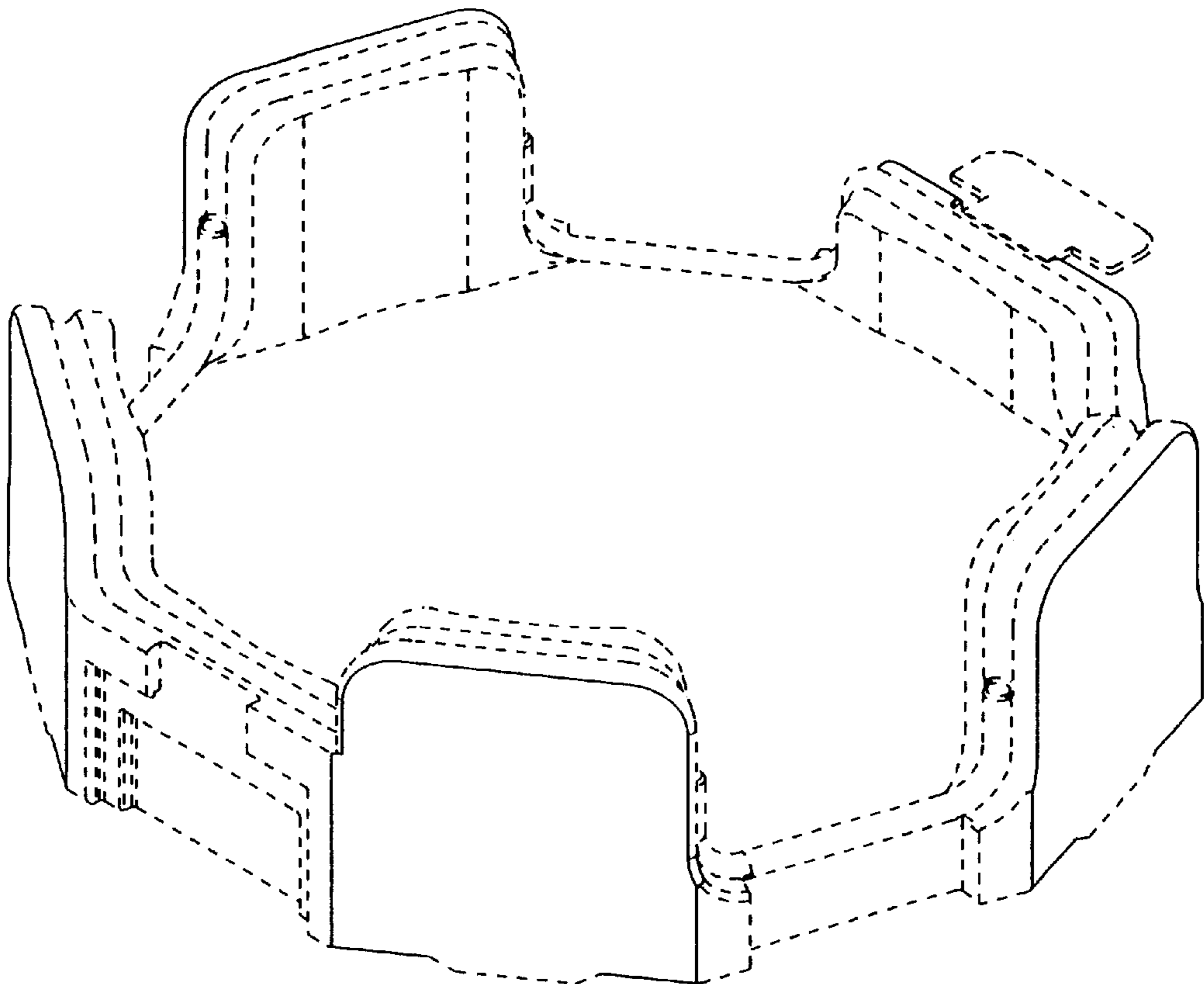
The ornamental design for a reusable container half, as shown and described.

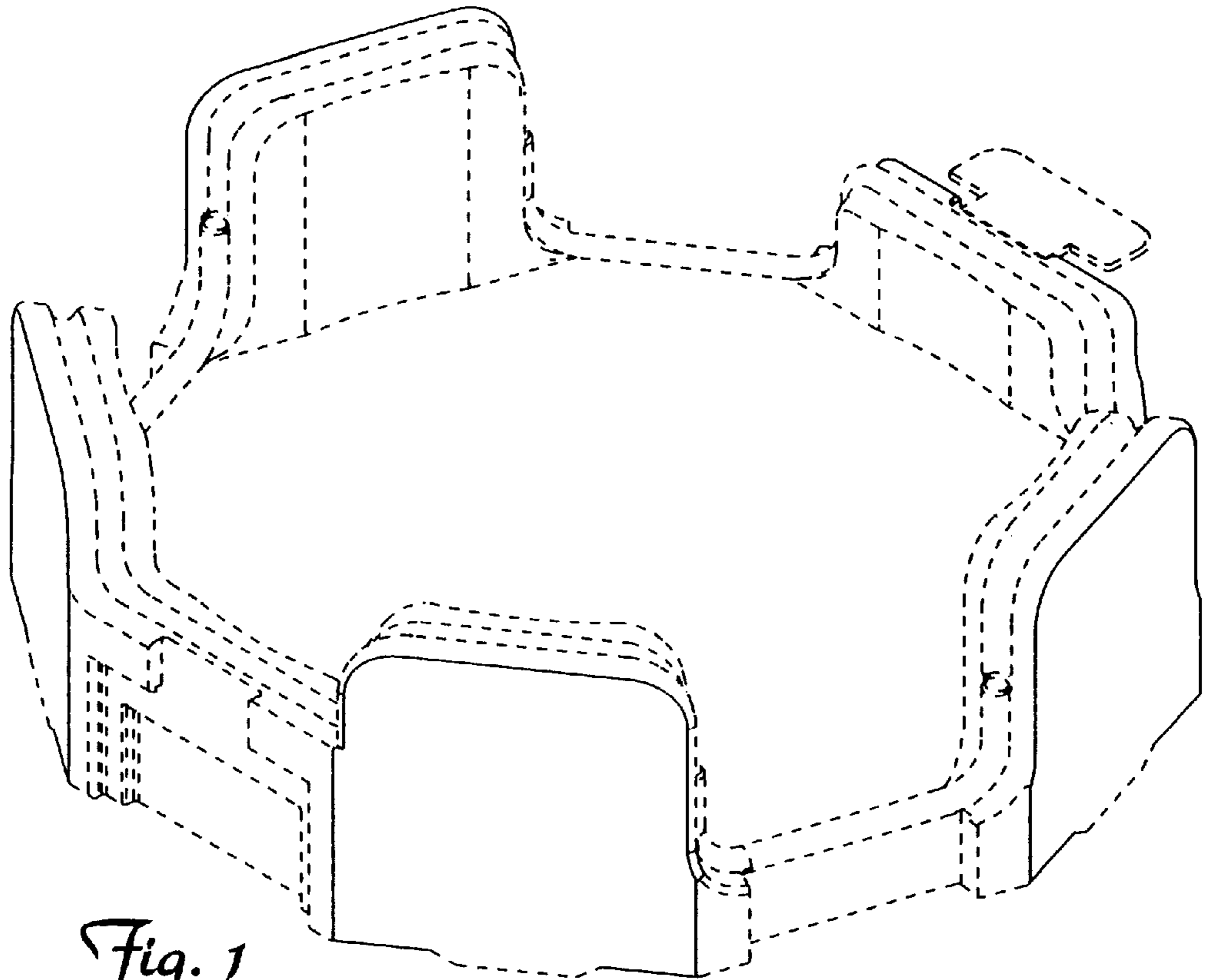
**DESCRIPTION**

FIG. 1 is a perspective view of a reusable container half showing our new design;  
FIG. 2 is a right side view thereof;  
FIG. 3 is a top plan view thereof;  
FIG. 4 is front elevation view thereof.  
FIG. 5 is a bottom plan view thereof; and,  
FIG. 6 is a rear elevation view thereof.

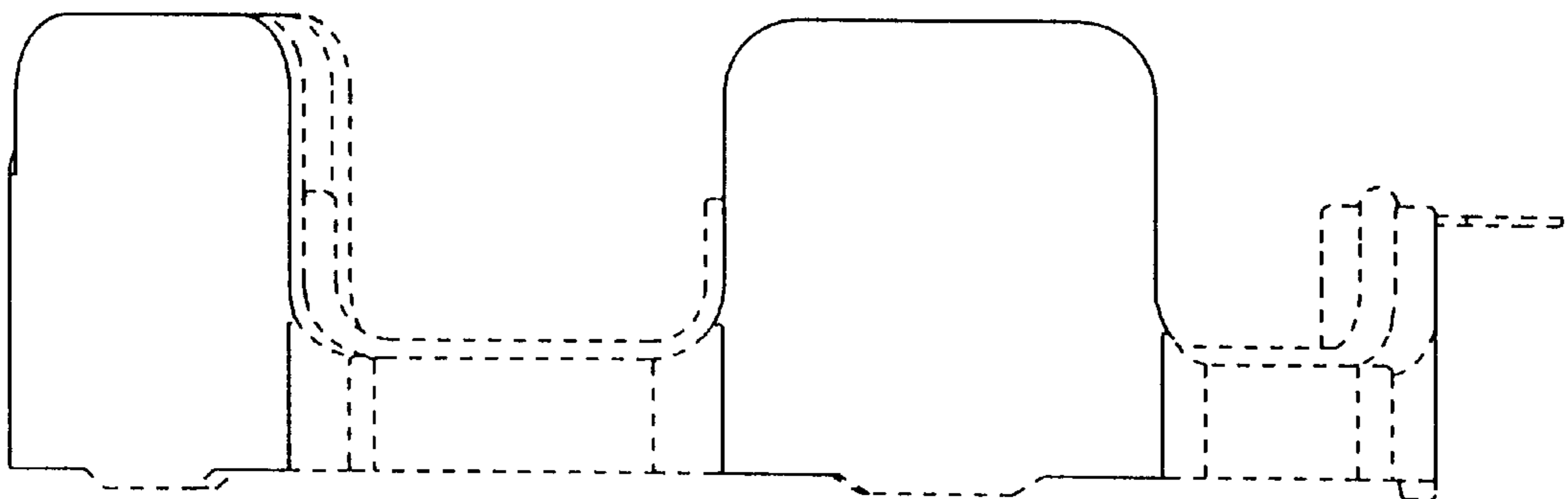
The left side view is the same as the right side view. The broken lines in the drawings are for illustrative purposes only and form no part of the claimed design.

**1 Claim, 3 Drawing Sheets**





*Fig. 1*



*Fig. 2*

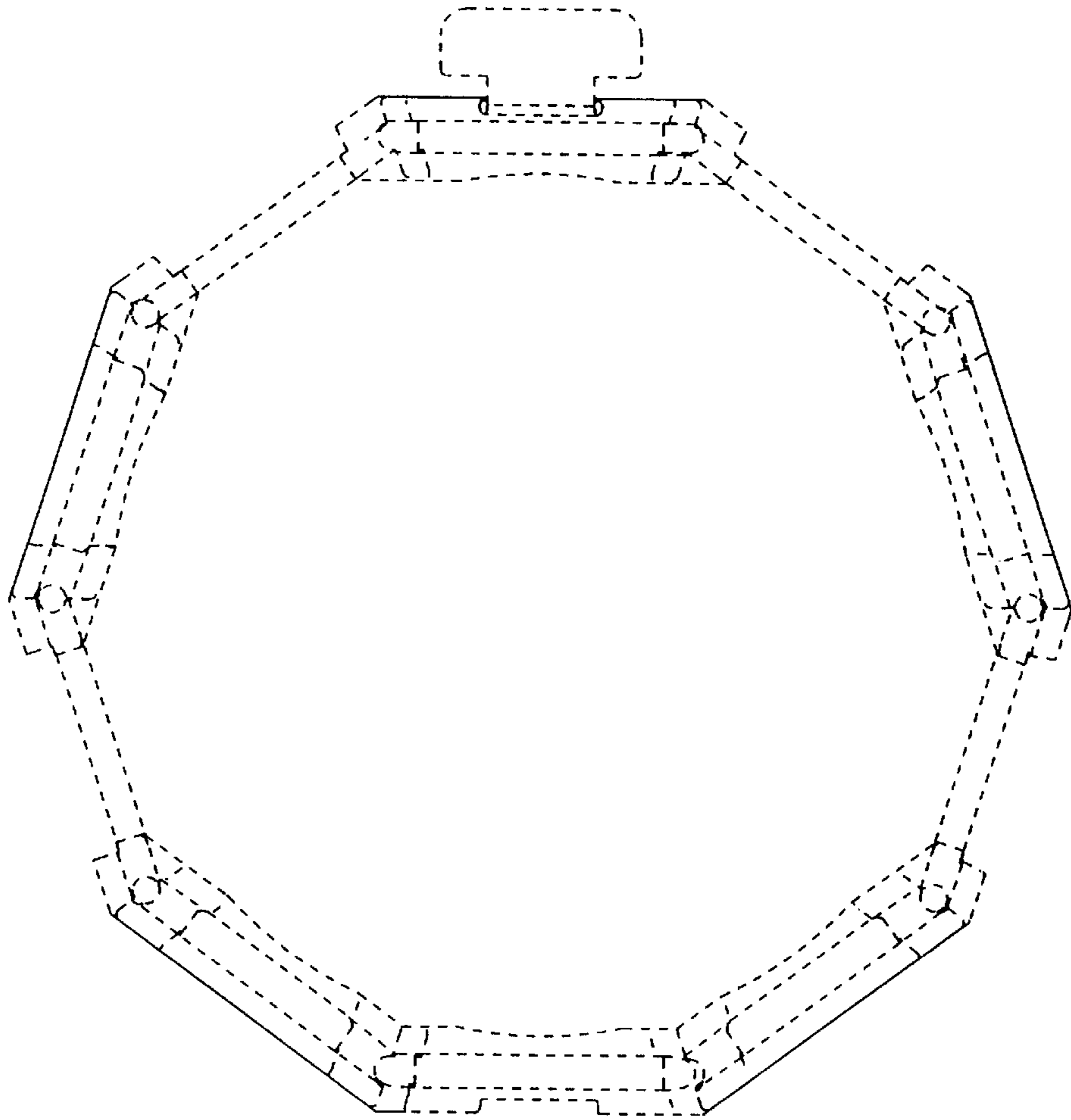


Fig. 3

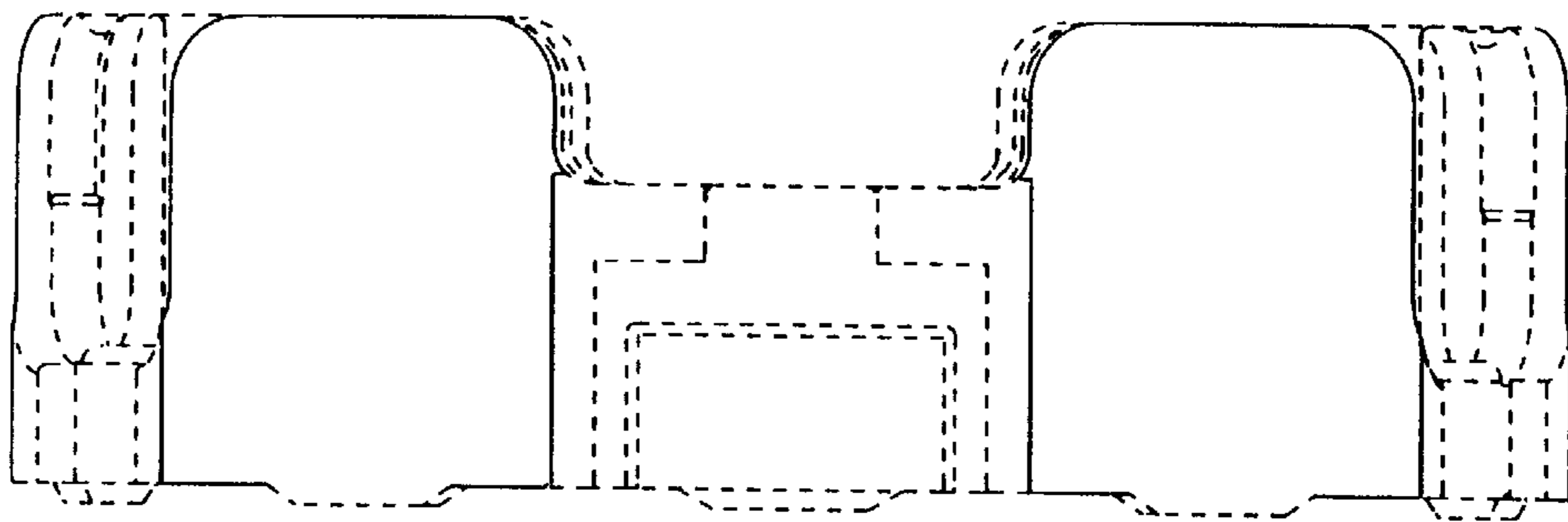
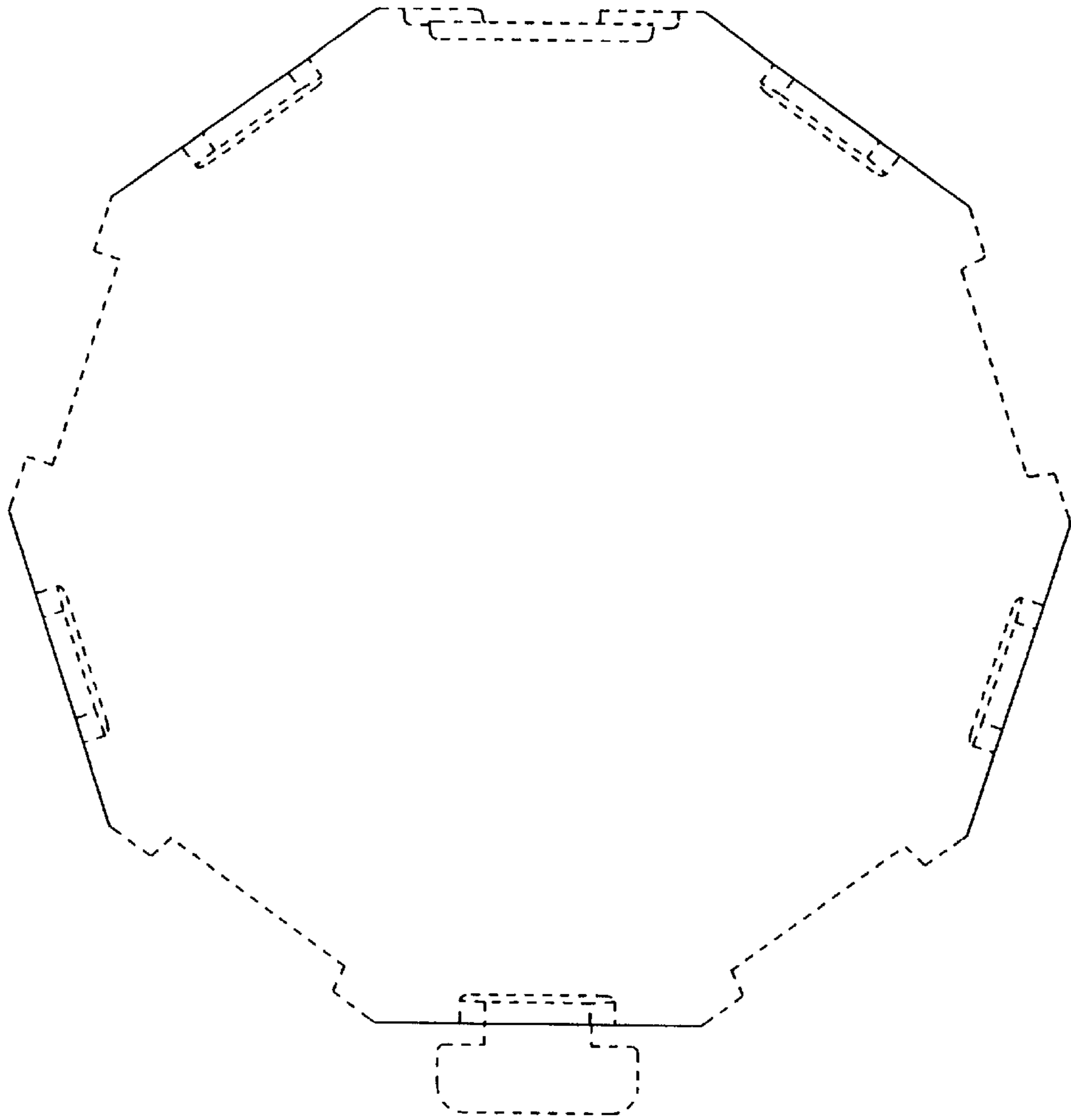
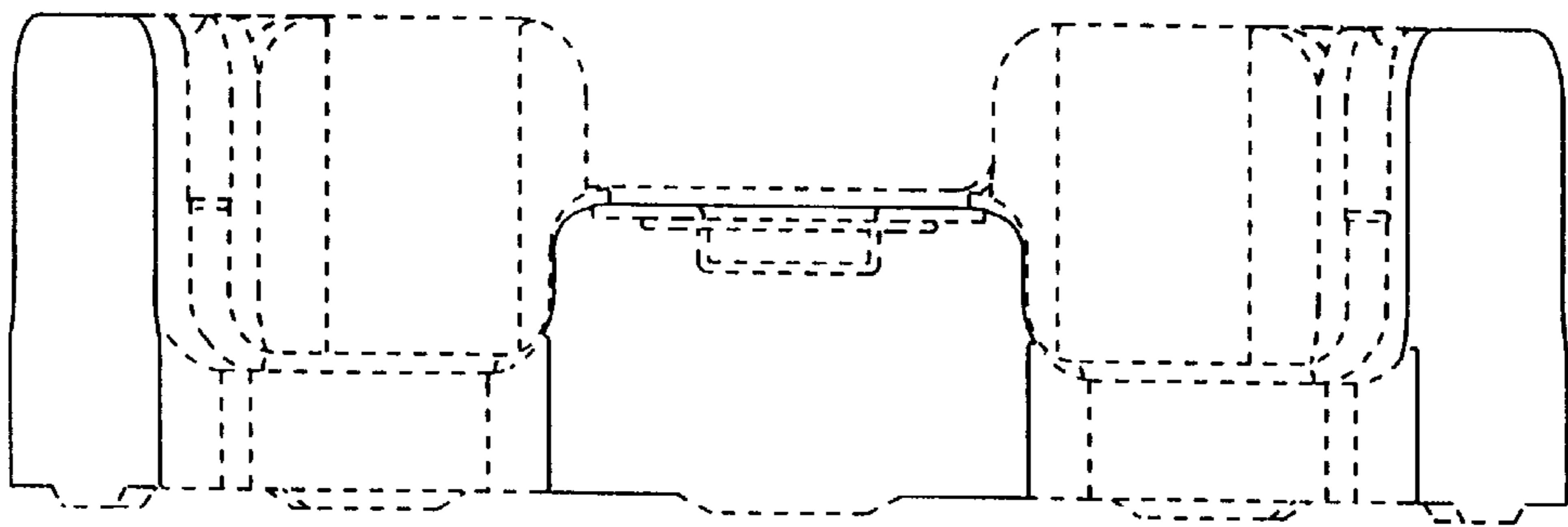


Fig. 4



*Fig. 5*



*Fig. 6*

UNITED STATES PATENT AND TRADEMARK OFFICE  
**CERTIFICATE OF CORRECTION**

PATENT NO. : Des. 439,050 S  
DATED : March 20, 2001  
INVENTOR(S) : Paul A. Connors, Gerald J. Niles and John M. Darst

Page 1 of 1

It is certified that error appears in the above-identified patent and that said Letters Patent is hereby corrected as shown below:

Title page,

Item [56], **References Cited** insert after listed U.S. PATENT DOCUMENTS,  
-- FOREIGN PATENT DOCUMENTS  
0 789 393 8/1997 (EP) --

Signed and Sealed this

Twentieth Day of May, 2003

A handwritten signature in black ink, appearing to read "James E. Rogan", with a horizontal line drawn underneath it.

JAMES E. ROGAN  
*Director of the United States Patent and Trademark Office*