



US00D439049S

(12) **United States Design Patent**
Koefeldt

(10) **Patent No.:** **US D439,049 S**
(45) **Date of Patent:** **** Mar. 20, 2001**

(54) **MULTI-PURPOSE TRAY**

5,896,992 4/1999 McGrath .

(75) Inventor: **Gerald R. Koefeldt**, Hermosa Beach,
CA (US)

FOREIGN PATENT DOCUMENTS

WO 97/07033 2/1997 (WO) .
WO 98/31596 7/1998 (WO) .

(73) Assignee: **Rehrig Pacific Company**, Los Angeles,
CA (US)

OTHER PUBLICATIONS

(**) Term: **14 Years**

Photographs of P&E, Inc. Crate, Nov., 1997, pp. 1-2.
Photographs of P&E, Inc. Crate, Dec., 1998, pp. 1-2.
Photographs of Rehrig Pacific Company Crate, May, 1999,
pp. 1-2.

(21) Appl. No.: **29/113,167**

(22) Filed: **Oct. 29, 1999**

* cited by examiner

(51) **LOC (7) Cl.** **03-01**

(52) **U.S. Cl.** **D3/304**

(58) **Field of Search** D3/304-315; 220/1.5,
220/7, 519, 509, 516; 206/427, 503, 509,
510, 557; D9/425, 424

Primary Examiner—Louis S. Zarfes

Assistant Examiner—Catherine R. Oliver

(74) *Attorney, Agent, or Firm*—Brooks & Kushman P.C.

(56) **References Cited**

(57) **CLAIM**

The ornamental design for a multi-purpose tray, as shown
and described.

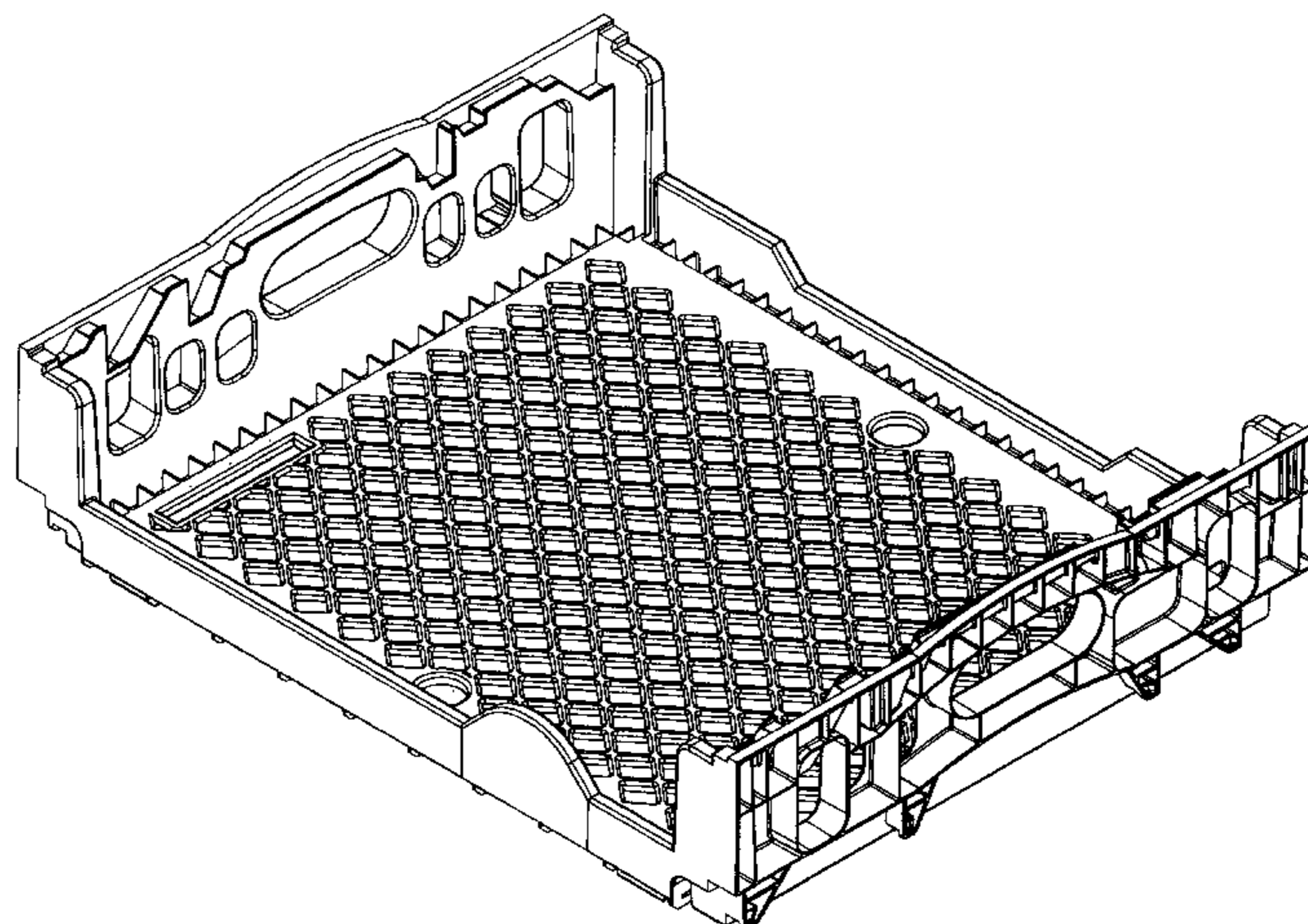
U.S. PATENT DOCUMENTS

DESCRIPTION

D. 239,213	3/1976	Carroll .	
D. 266,198	9/1982	Carroll .	
D. 319,908	9/1991	Stahl .	
D. 354,167	1/1995	Stahl .	
D. 400,012	* 10/1998	Apps	D3/314
D. 404,204	* 1/1999	Apps	D3/314
D. 421,183	* 2/2000	Koskinen	D3/312
D. 423,217	* 4/2000	Varfeldt	D3/309
D. 424,299	* 5/2000	Varfeldt	D3/309
4,211,327	7/1980	Stahl et al. .	
4,379,508	4/1983	Miller et al. .	
4,383,611	5/1983	Kreeger .	
4,402,408	9/1983	Kreeger et al. .	
4,426,001	1/1984	Stahl et al. .	
4,440,302	4/1984	Ehrman et al. .	
4,523,681	6/1985	Kreeger .	
4,600,103	7/1986	Tabler .	
4,619,366	10/1986	Kreeger .	
4,936,458	6/1990	Tabler et al. .	
4,960,207	10/1990	Tabler et al. .	
5,035,326	7/1991	Stahl .	
5,287,966	2/1994	Stahl .	
5,344,022	9/1994	Stahl .	
5,704,482	1/1998	Apps et al. .	
5,722,550	3/1998	Ficker .	
5,881,902	3/1999	Ackermann .	

FIG. 1 is a top perspective view of a first embodiment of the
tray;
FIG. 2 is a top plan view of the first embodiment;
FIG. 3 is a bottom plan view of the first embodiment;
FIG. 4 is a right side elevational view of the first embodi-
ment, the right side elevational view of the second embodi-
ment being identical thereto;
FIG. 5 is a left side elevational view of the first embodiment,
the left side elevational view of the second embodiment
being identical thereto;
FIG. 6 is a front elevational view of the first embodiment;
FIG. 7 is a rear elevational view of the first embodiment;
FIG. 8 is a top perspective view of a second embodiment of
the tray;
FIG. 9 is a top plan view of the second embodiment;
FIG. 10 is a bottom plan view of the second embodiment;
and,
FIG. 11 is a front elevational view of the second embodi-
ment, the rear elevational view being a mirror image thereof.

1 Claim, 11 Drawing Sheets



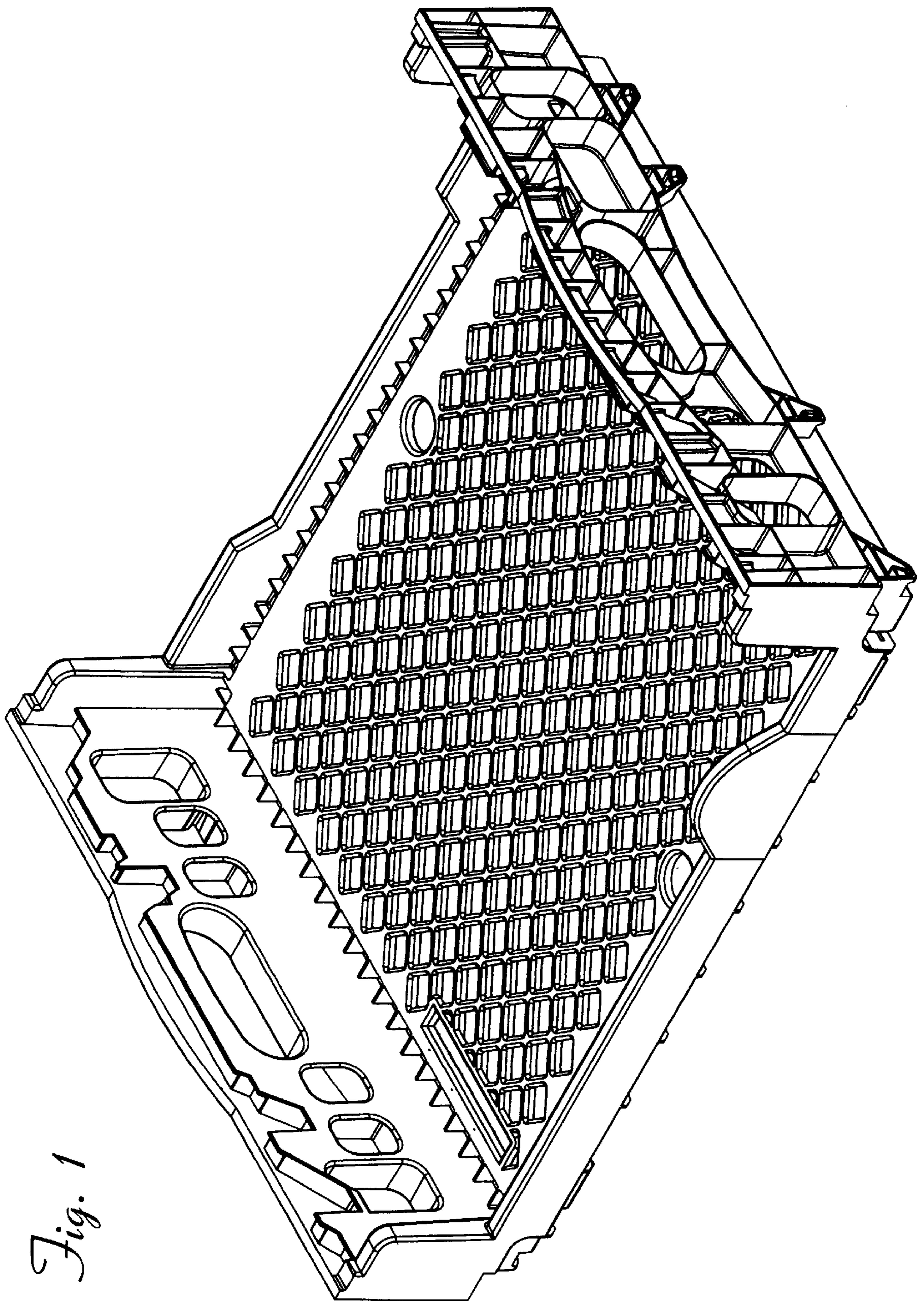
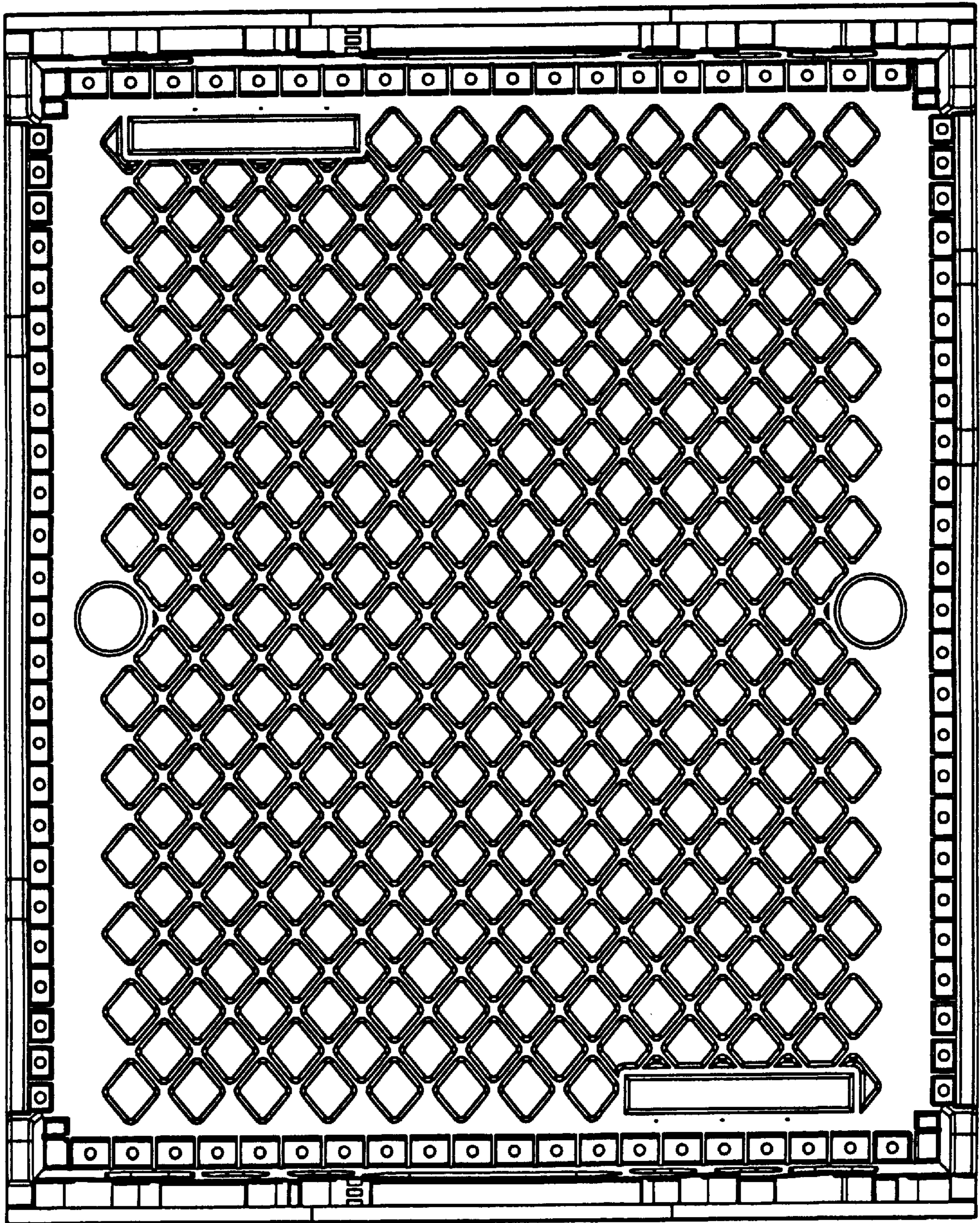


Fig. 1

Fig. 2



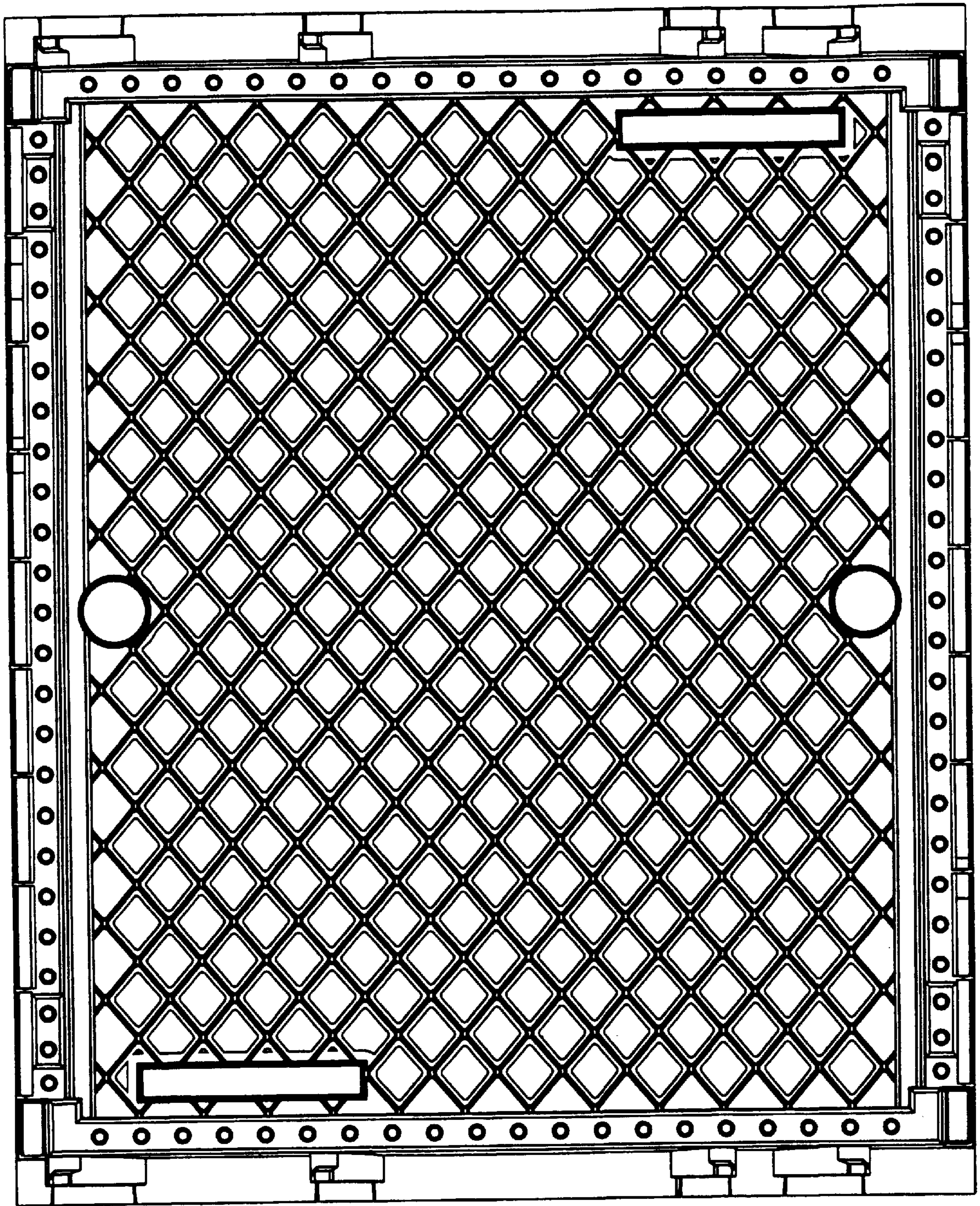


Fig. 3

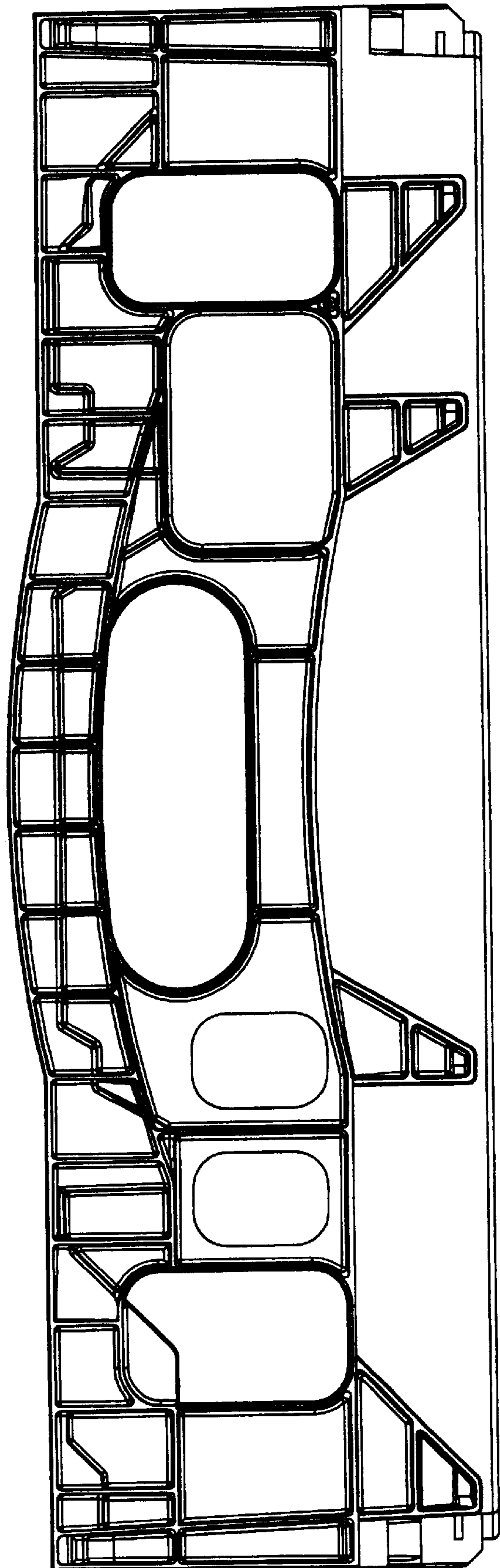


Fig. 4

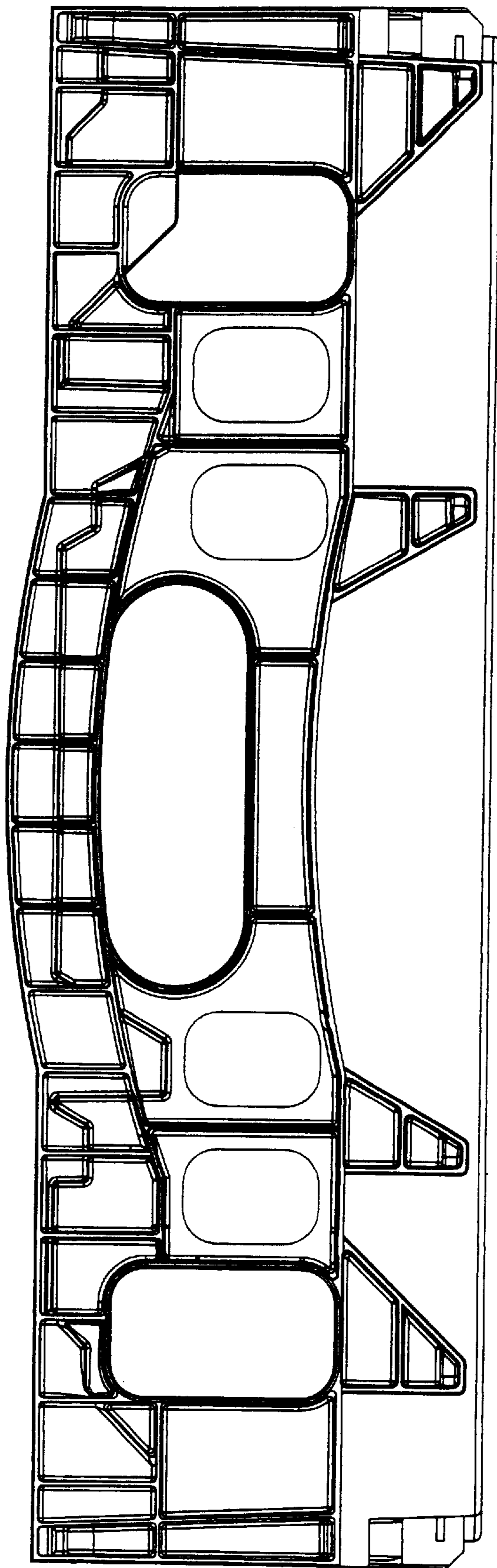


Fig. 5

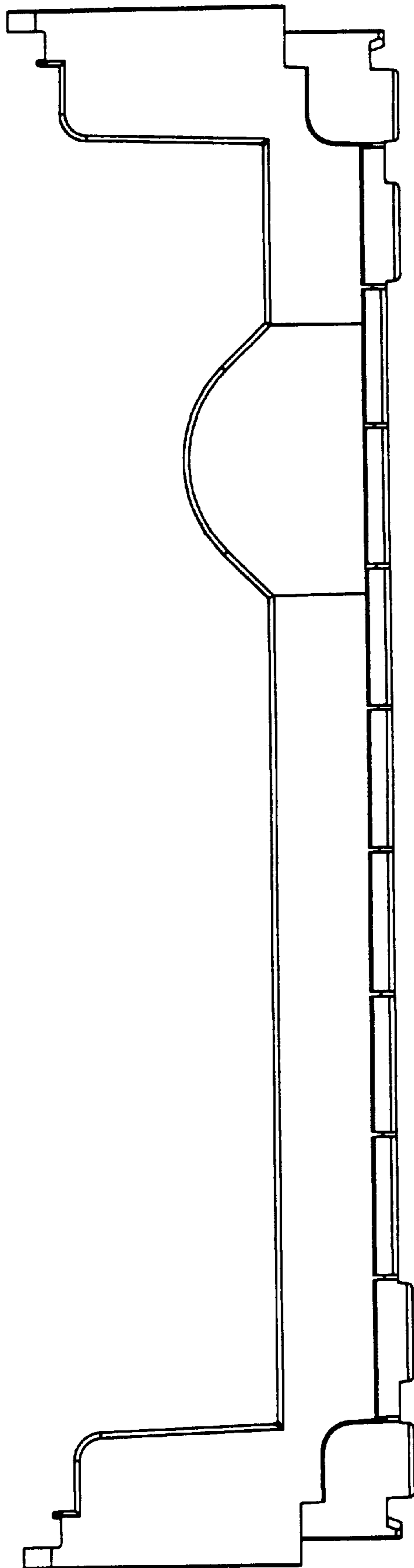


Fig. 6

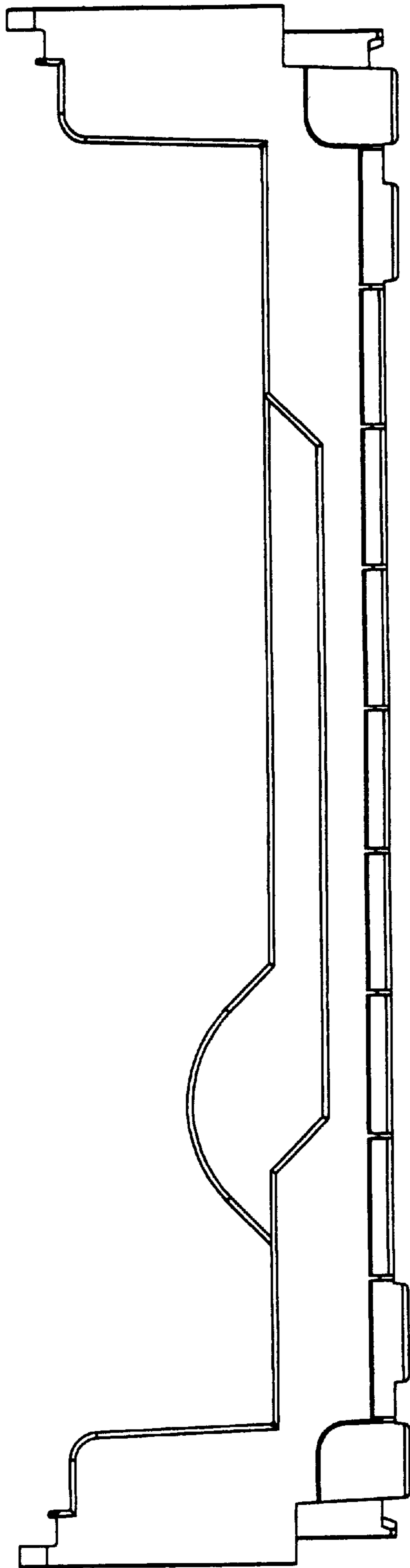


Fig. 7

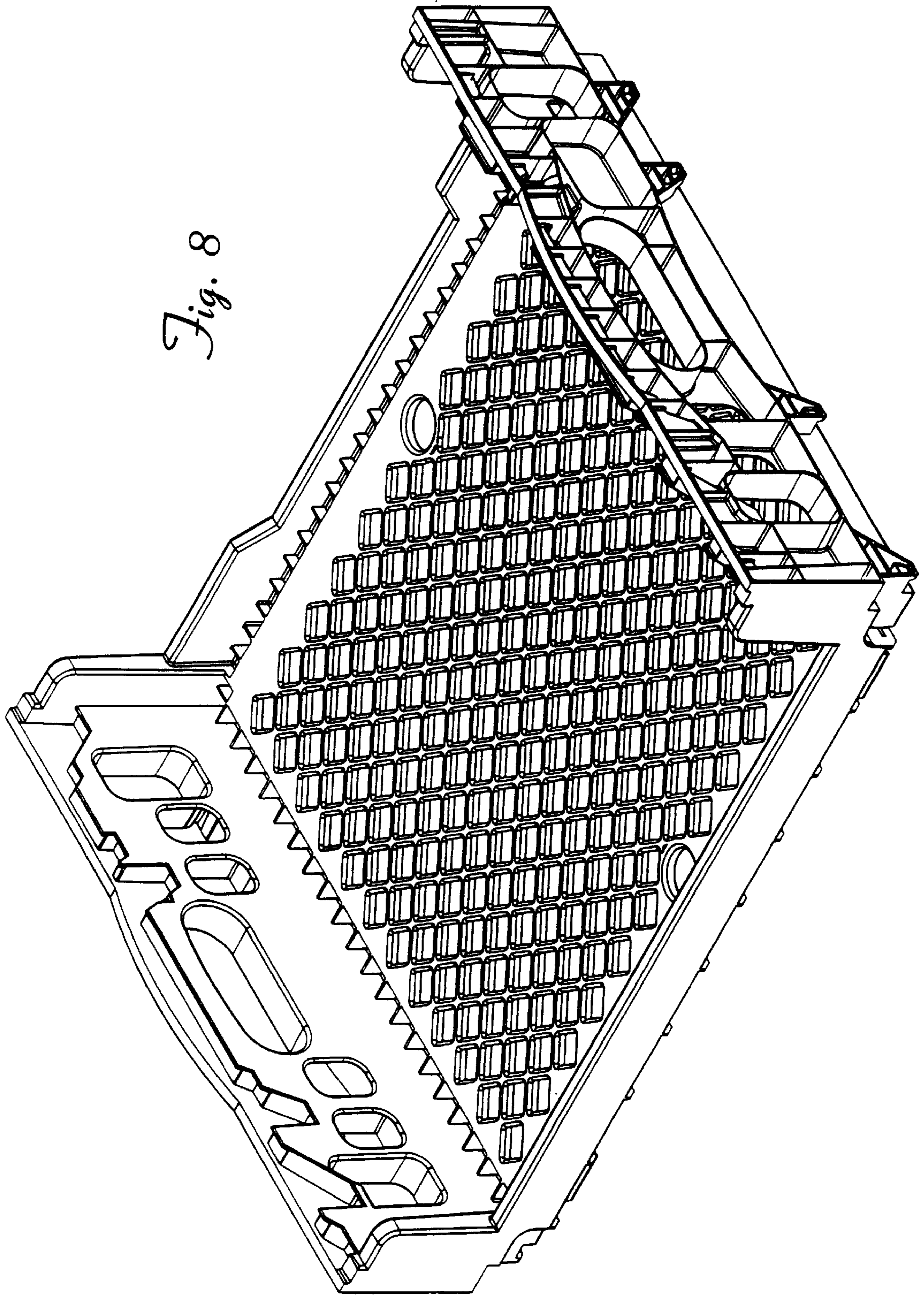


Fig. 8

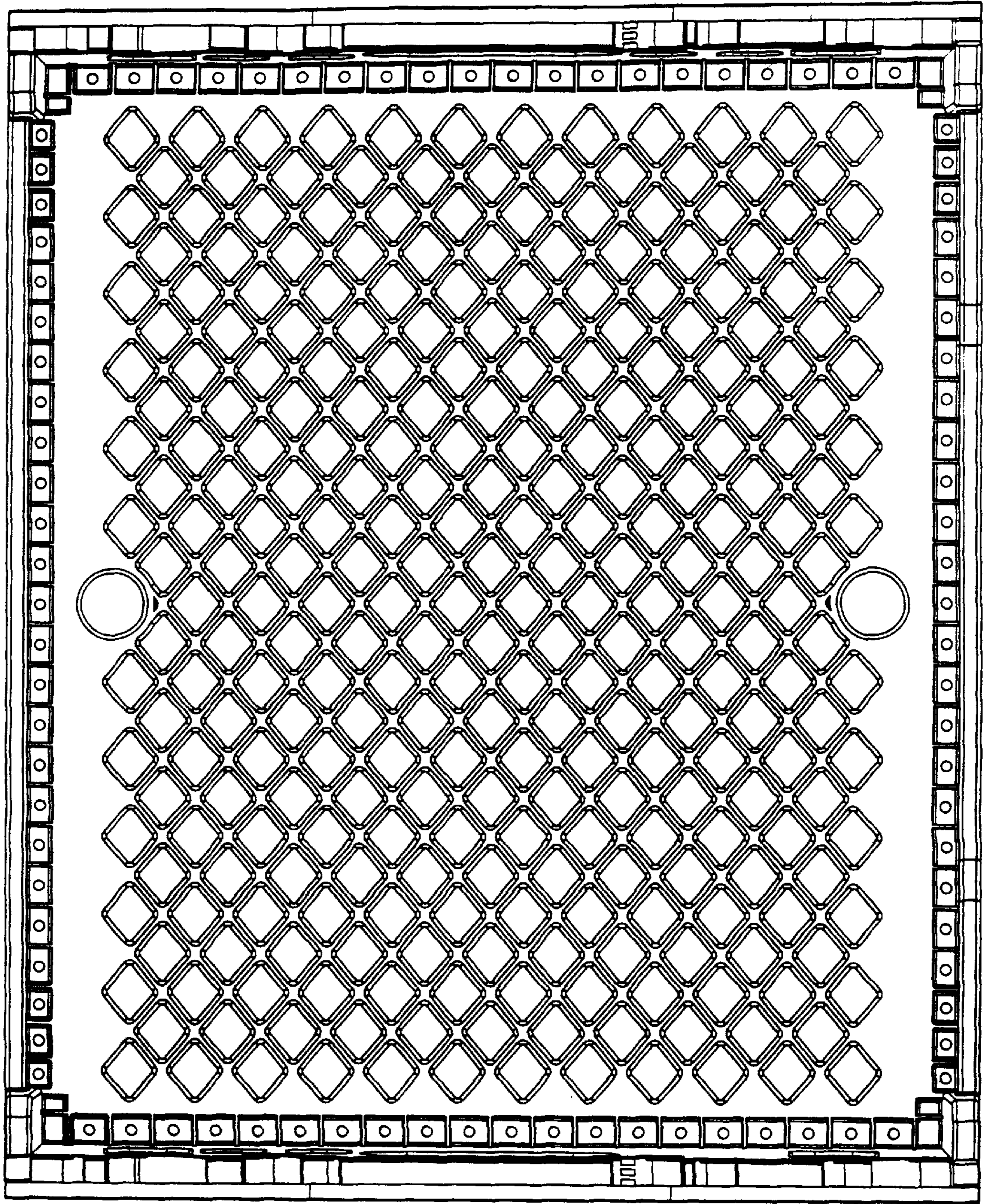


Fig. 9

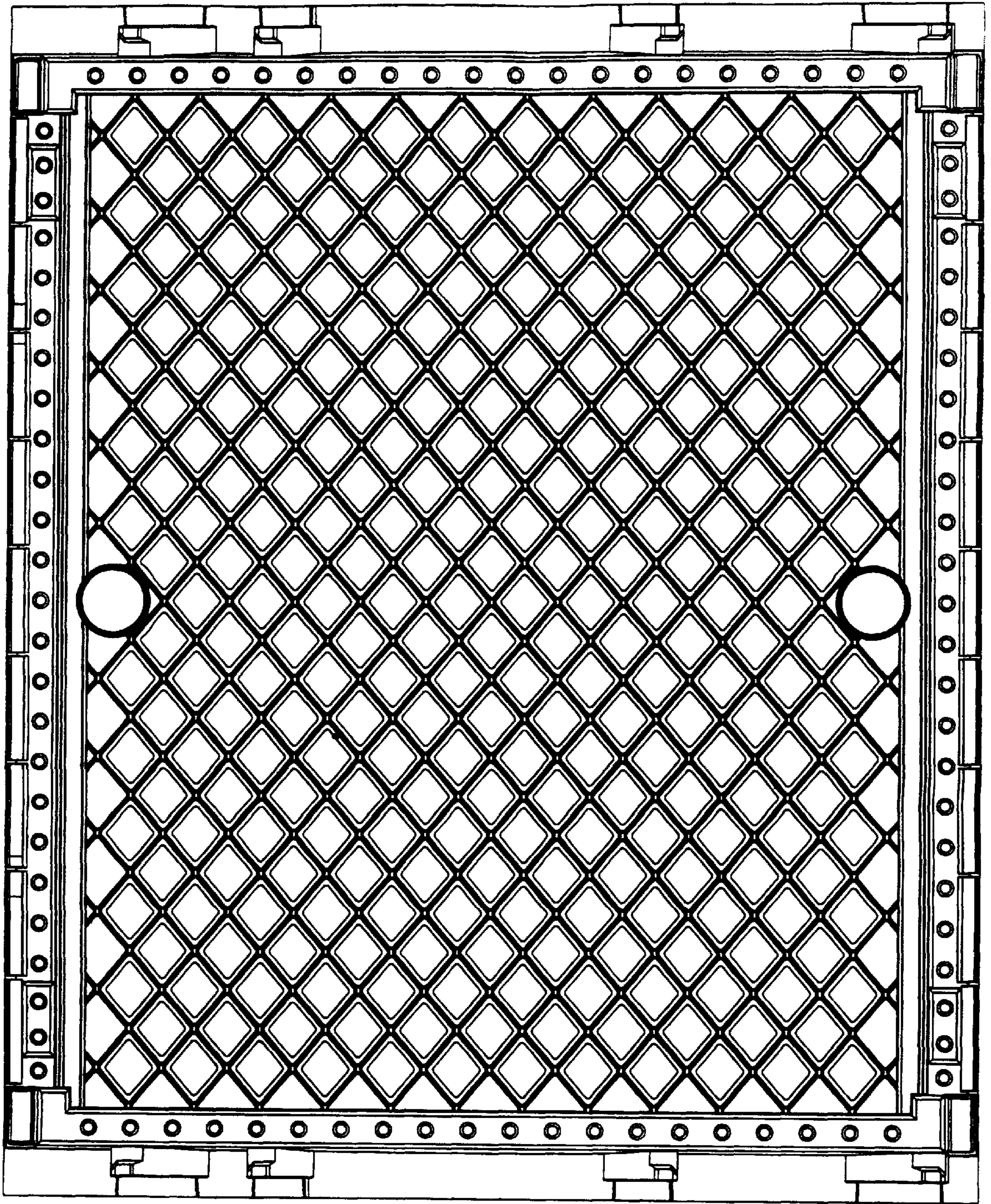


Fig. 10

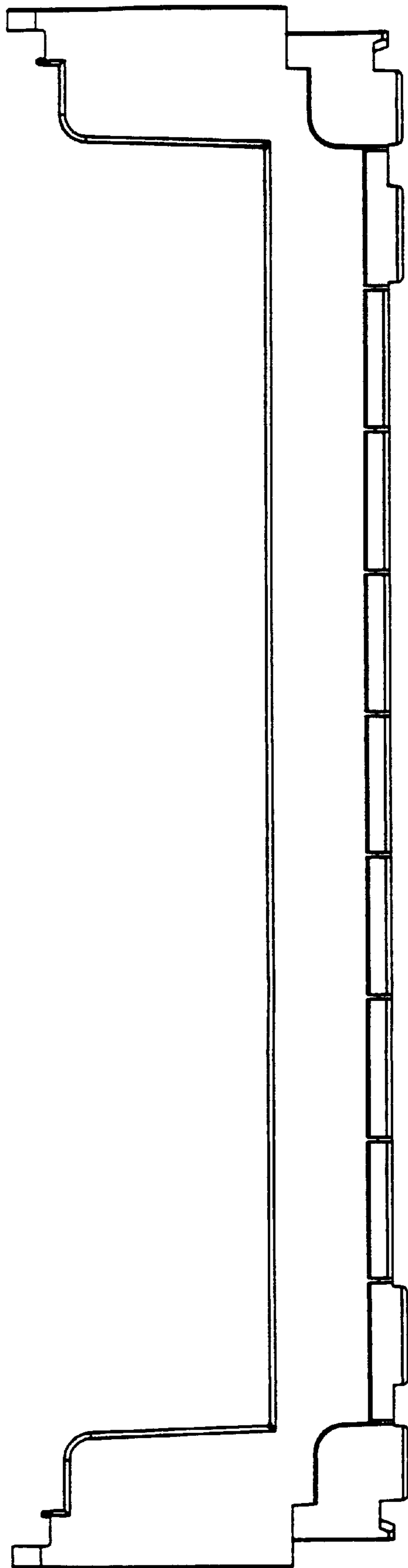


Fig. 11