



US00D439048S

(12) **United States Design Patent**
Sanderson

(10) **Patent No.:** **US D439,048 S**

(45) **Date of Patent:** **** Mar. 20, 2001**

(54) **EQUIPMENT CASE**
(75) Inventor: **David B. Sanderson**, Villa Park, CA (US)
(73) Assignee: **SKB Corporation**, Orange, CA (US)
(**) Term: **14 Years**

D. 394,554 * 5/1998 Mann et al. D3/323
D. 411,353 * 6/1999 Dickinson et al. D3/323
2,950,793 8/1960 Axtell .
3,029,915 4/1962 Axtell .
5,641,090 * 6/1997 Kowalski et al. 206/508
5,755,311 5/1998 Younessian et al. 190/114
5,842,575 * 12/1998 Dressen et al. 206/711
5,992,638 * 11/1999 Gregerson et al. 206/711

* cited by examiner

(21) Appl. No.: **29/115,065**
(22) Filed: **Dec. 7, 1999**
(51) **LOC (7) Cl.** **03-01**
(52) **U.S. Cl.** **D3/302; D3/272; D3/273**
(58) **Field of Search** D3/272, 273, 302,
D3/318; D9/424, 425; 206/508, 509, 511,
711; 220/306

Primary Examiner—Philip S. Hyder
(74) *Attorney, Agent, or Firm*—Lyon & Lyon LLP

(57) **CLAIM**

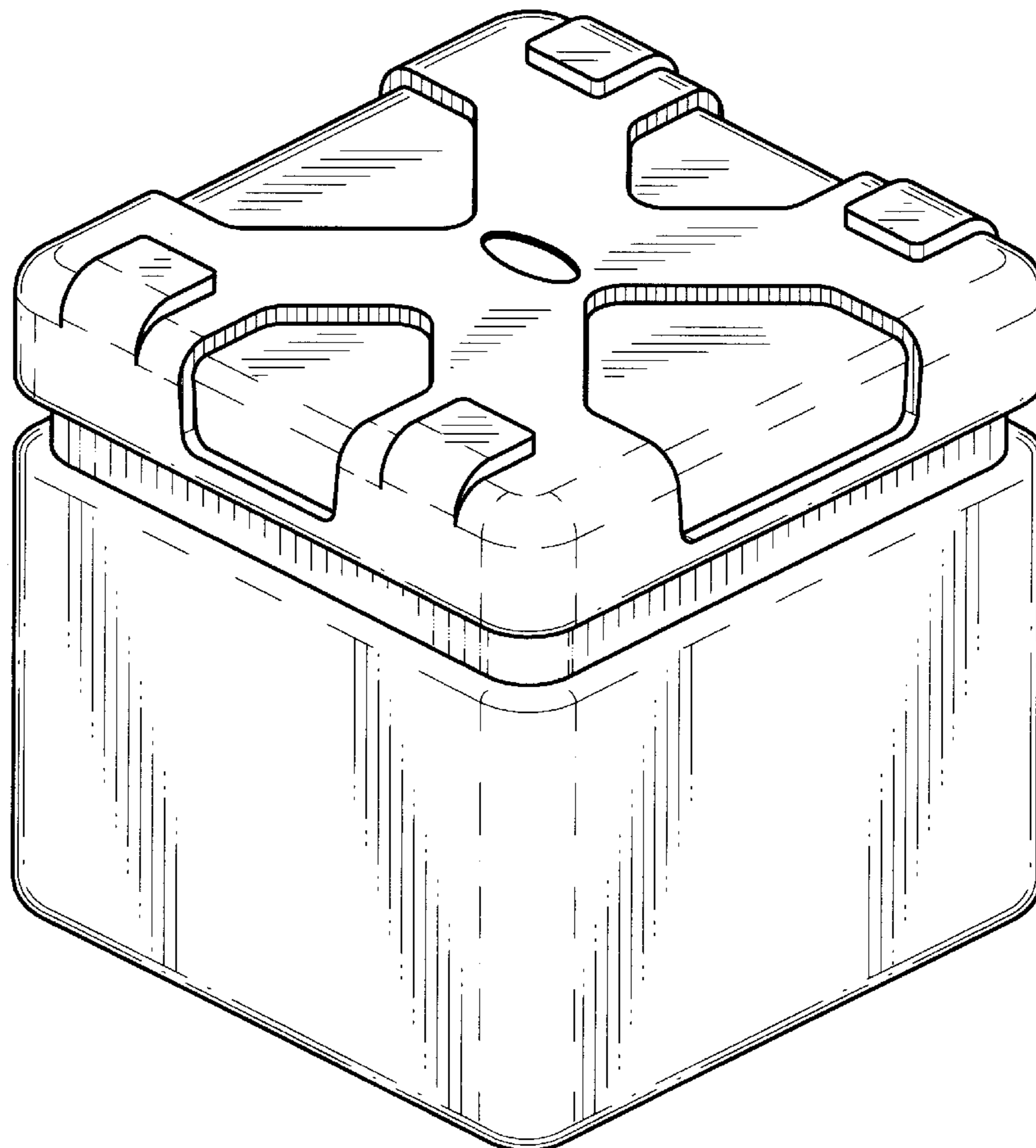
The ornamental design for an equipment case, substantially as shown and described.

DESCRIPTION

(56) **References Cited**
U.S. PATENT DOCUMENTS
D. 234,273 2/1975 Wilson et al. D3/272
D. 367,361 * 2/1996 Kobilarcik D3/323
D. 368,161 * 3/1996 Miller D3/323
D. 378,025 * 2/1997 Perelli D3/323
D. 388,957 * 1/1998 Wolff D3/323
D. 391,763 * 3/1998 Wolff D3/323
D. 393,369 * 4/1998 Tanji D3/323

FIG. 1 is a perspective view of a first embodiment of the new design,
FIG. 2 is a side view of the embodiment of FIG. 1,
FIG. 3 is a perspective view of a second embodiment; and,
FIG. 4 is a side view of the embodiment of FIG. 3.
The case of the embodiment is symmetrical, and the bottom thereof does not form a part of the claimed design.

1 Claim, 4 Drawing Sheets



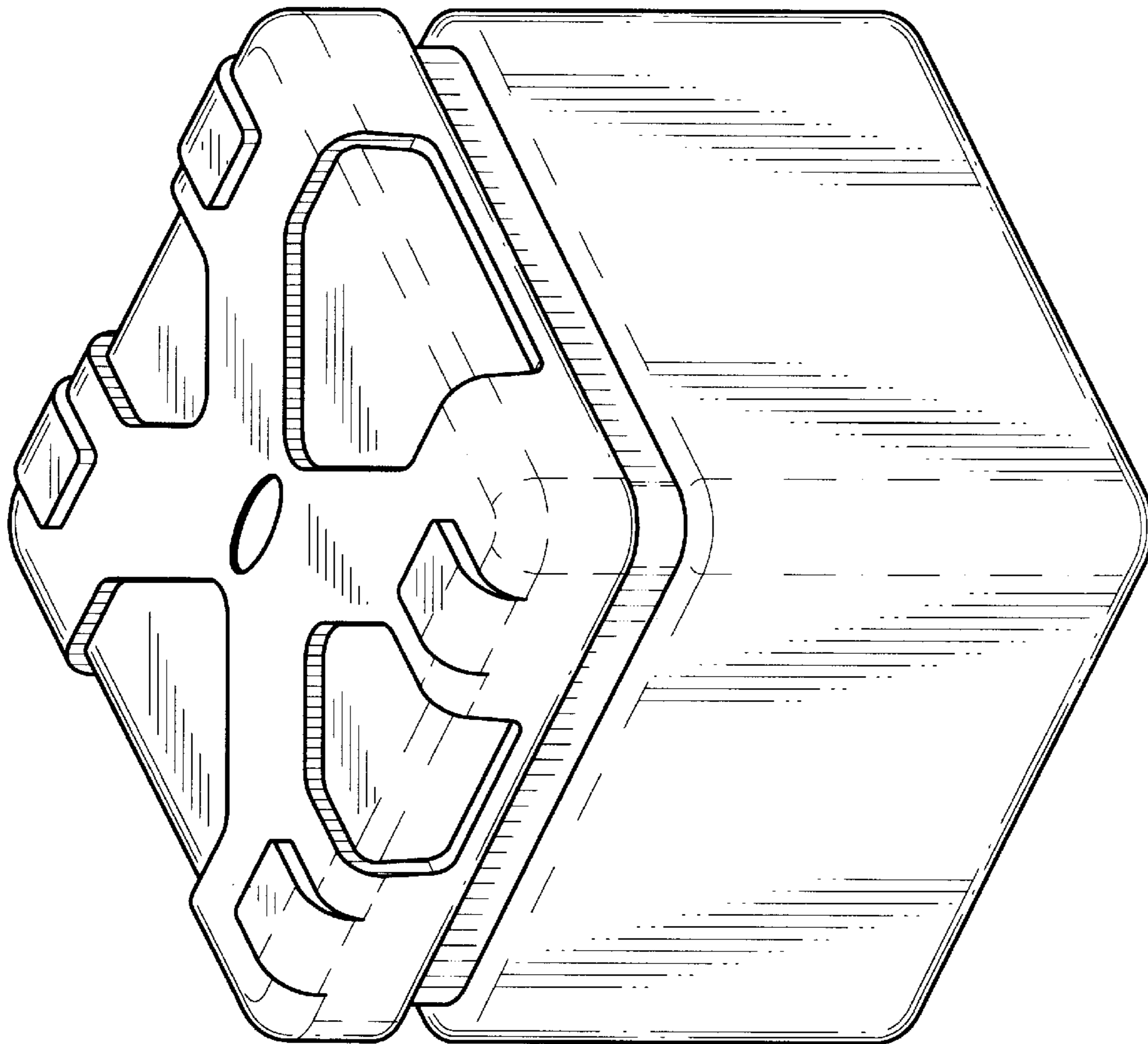


Fig. 1

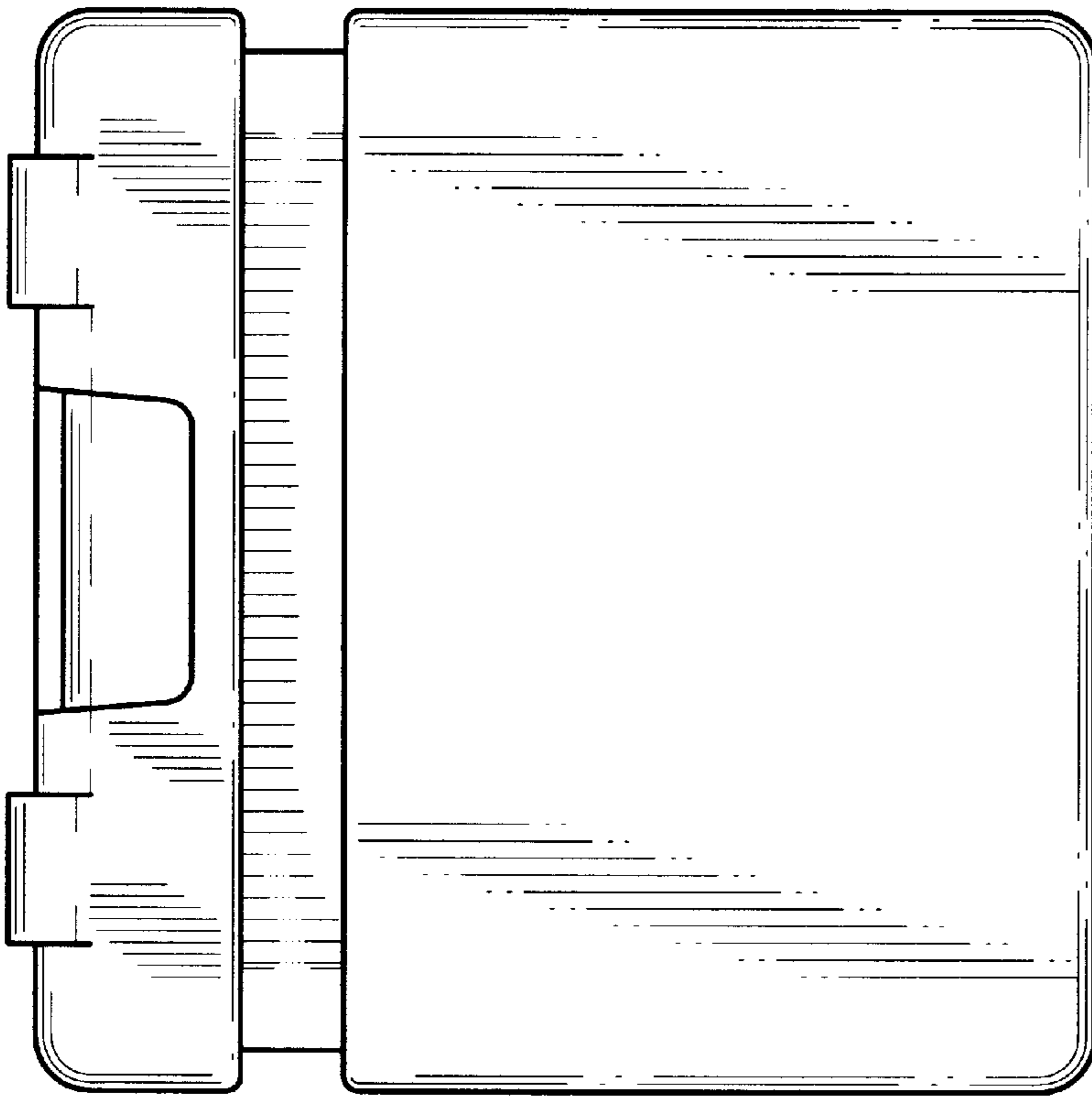


Fig. 2

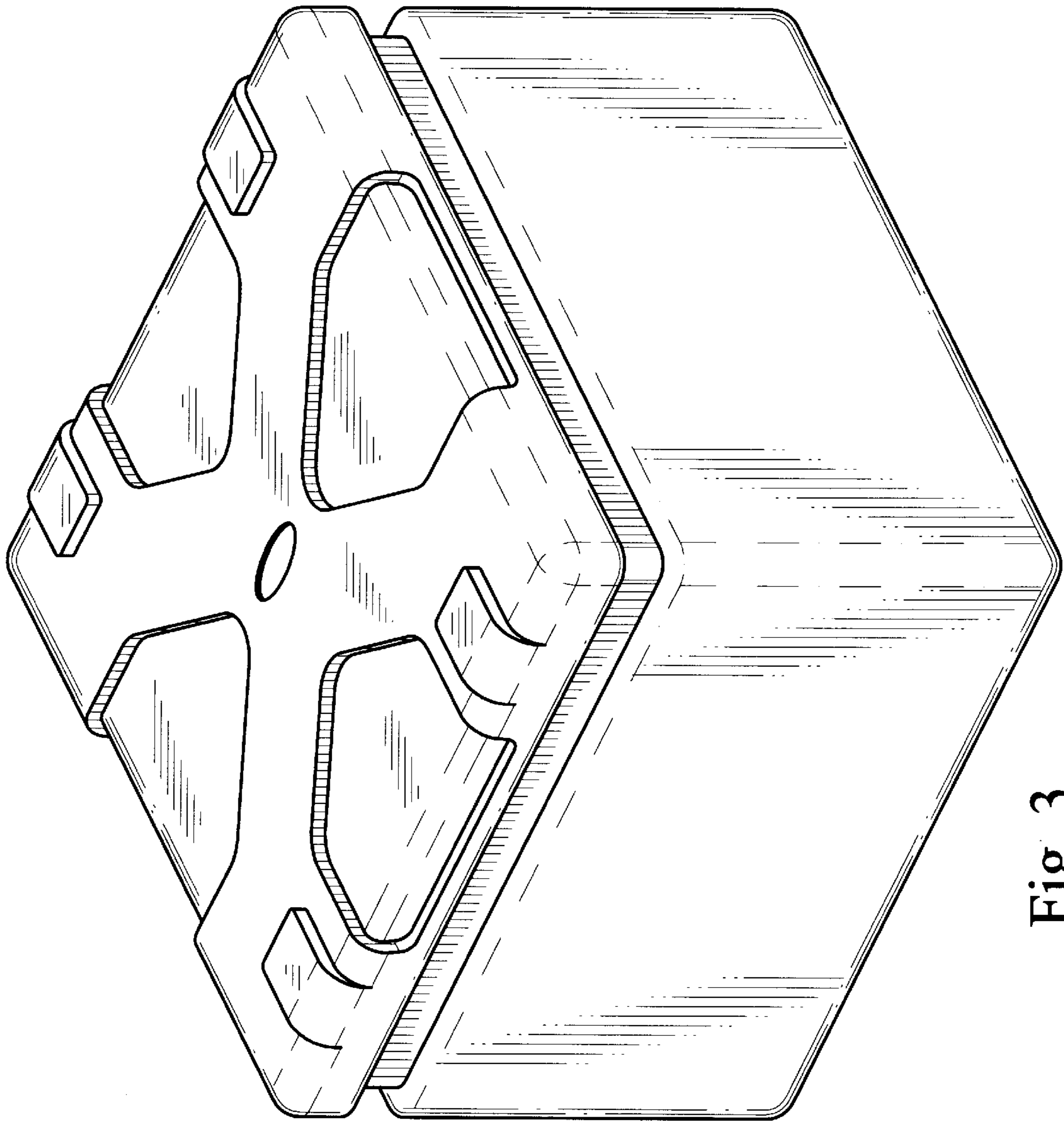


Fig. 3

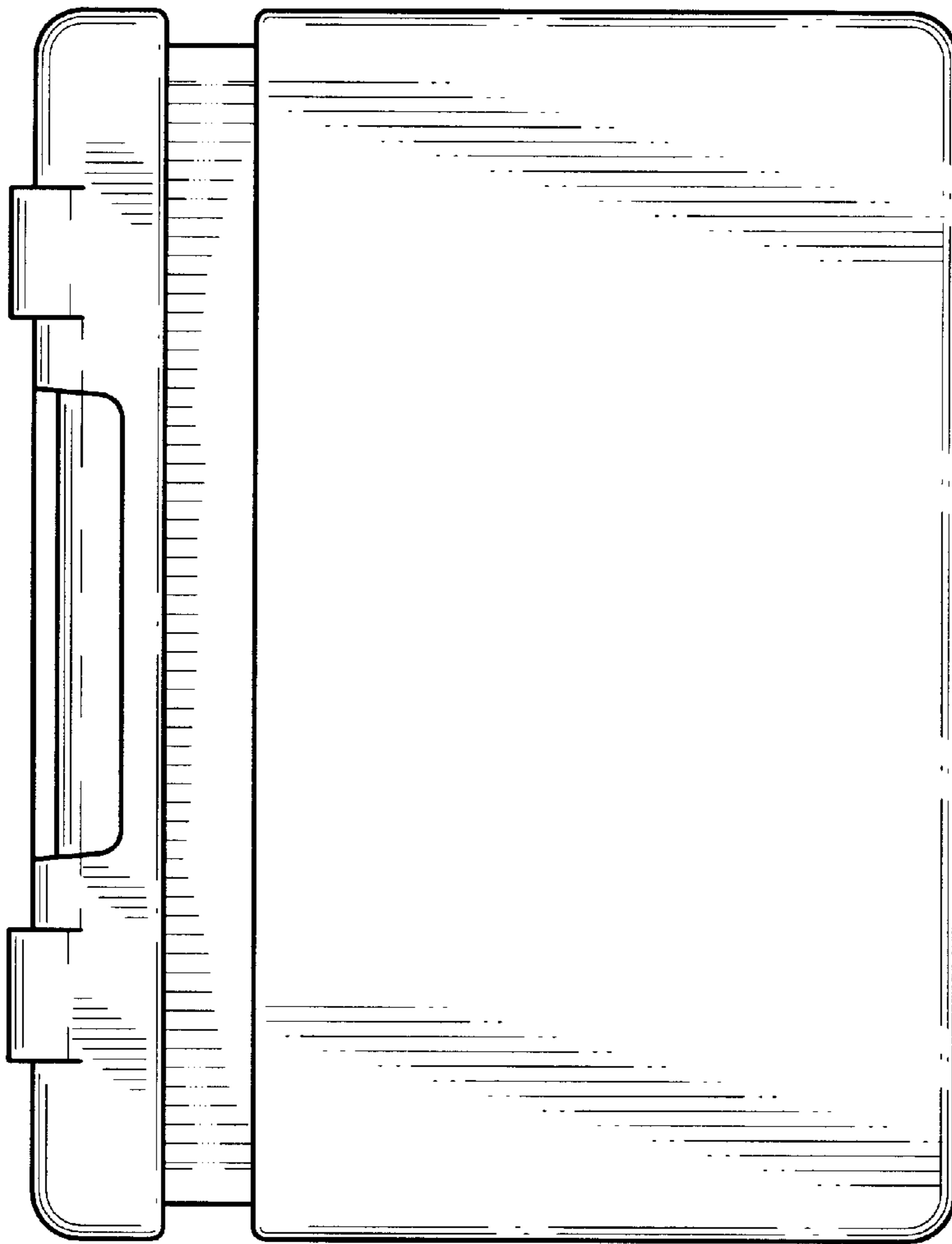


Fig. 4