



US00D439041S

(12) **United States Design Patent**
Guyon

(10) **Patent No.:** **US D439,041 S**

(45) **Date of Patent:** **** Mar. 20, 2001**

(54) **HANDBAG**

(75) Inventor: **Isabelle Guyon**, Paris (FR)

(73) Assignee: **Philippe Cassegrain, S.A.**, Paris (FR)

(**) Term: **14 Years**

(21) Appl. No.: **29/117,852**

(22) Filed: **Jan. 31, 2000**

(51) **LOC (7) Cl.** **03-01**

(52) **U.S. Cl.** **D3/246; D3/245; D3/303**

(58) **Field of Search** **D3/231, 232, 233, D3/234, 238, 242, 243, 245, 246, 303; 150/100, 107, 110, 112, 117, 118, 120, 130; 190/126, 127, 902, 903; 383/6, 29, 32, 40, 95, 98, 107, 117, 907**

(56) **References Cited**

U.S. PATENT DOCUMENTS

D. 426,060	*	6/2000	Chapelier	D3/232	X
1,434,203	*	10/1922	Fishbein	150/107	
2,325,853	*	8/1943	Harlem	383/6	
2,437,382	*	3/1948	Czap	190/903	

2,871,900	*	2/1959	Auditore	383/6	
2,916,071	*	12/1959	Mirken	150/110	
3,121,452	*	2/1964	Hyman	190/126	
4,117,874	*	10/1978	Berenguer	383/40	X

* cited by examiner

Primary Examiner—Louis S. Zarfaz

Assistant Examiner—Monica A. Weingart

(74) *Attorney, Agent, or Firm*—Gottlieb, Rackman & Reisman, P.C.

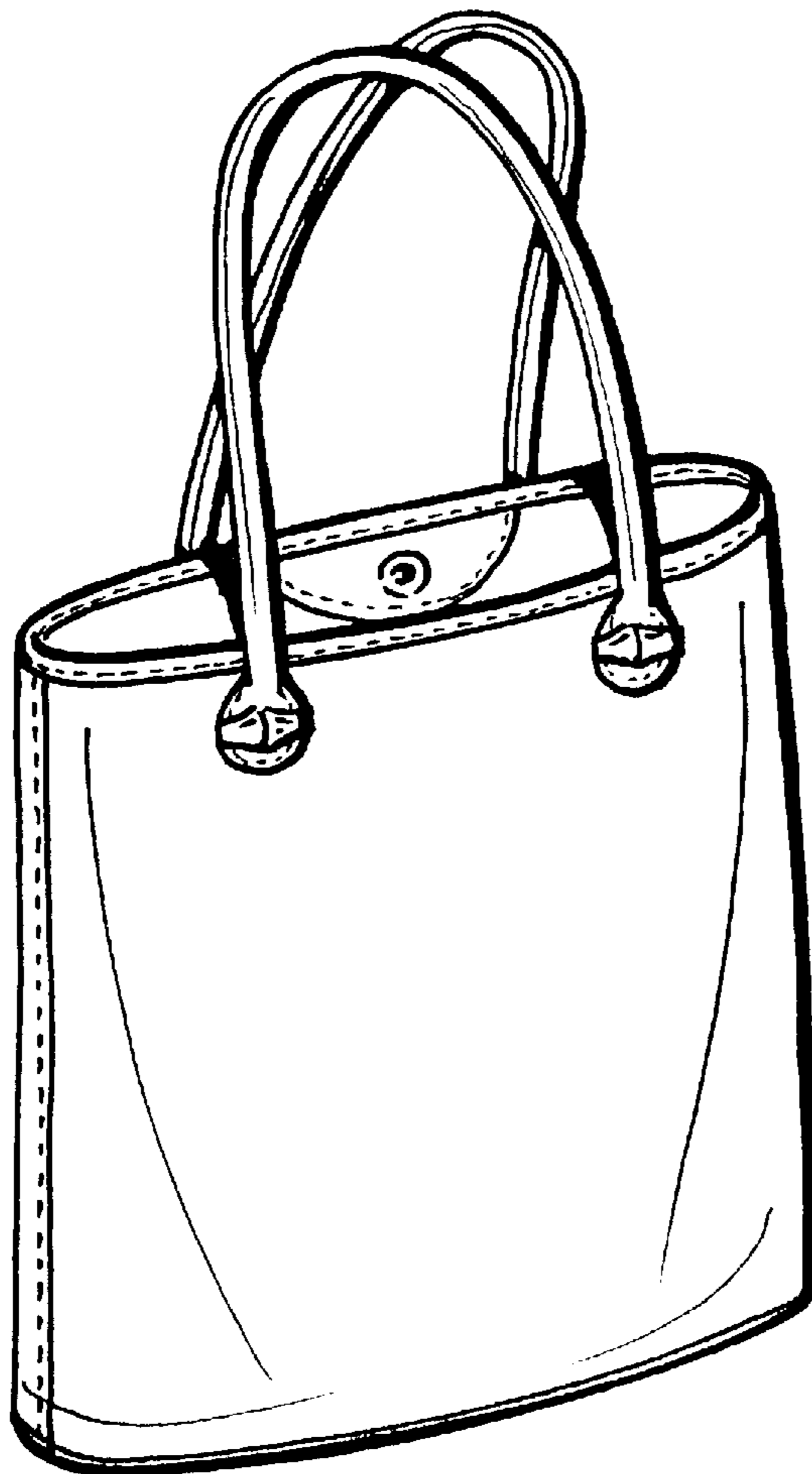
(57) **CLAIM**

The ornamental design for a handbag, as shown and described.

DESCRIPTION

FIG. 1 is a perspective view of a handbag;
FIG. 2 is a front view thereof;
FIG. 3 is a top plan view thereof (straps omitted for clarity);
FIG. 4 is a left side view thereof (the right side is a mirror image);
FIG. 5 is a rear view thereof; and,
FIG. 6 is a bottom plan view thereof (straps omitted for clarity).

1 Claim, 2 Drawing Sheets



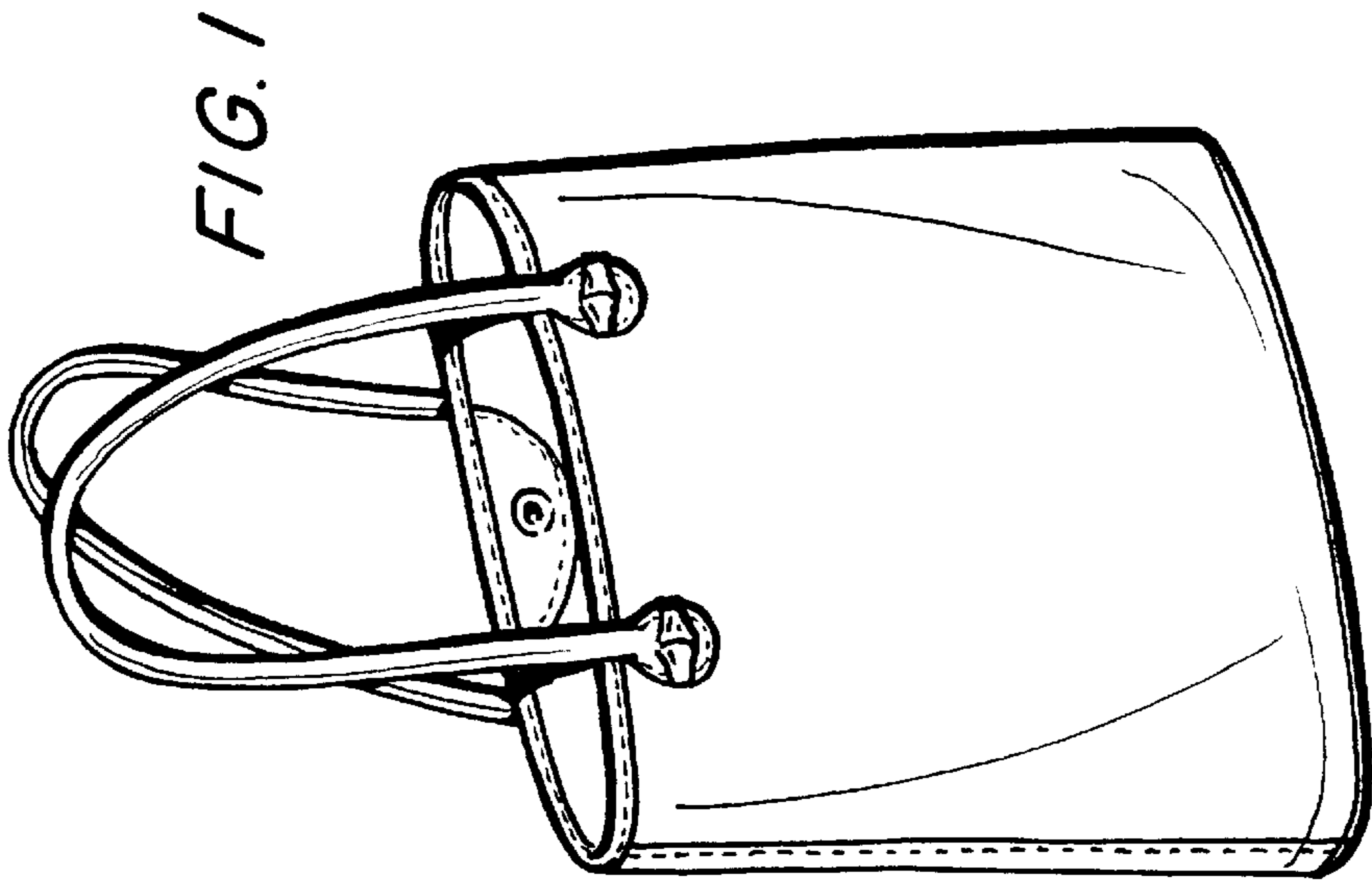
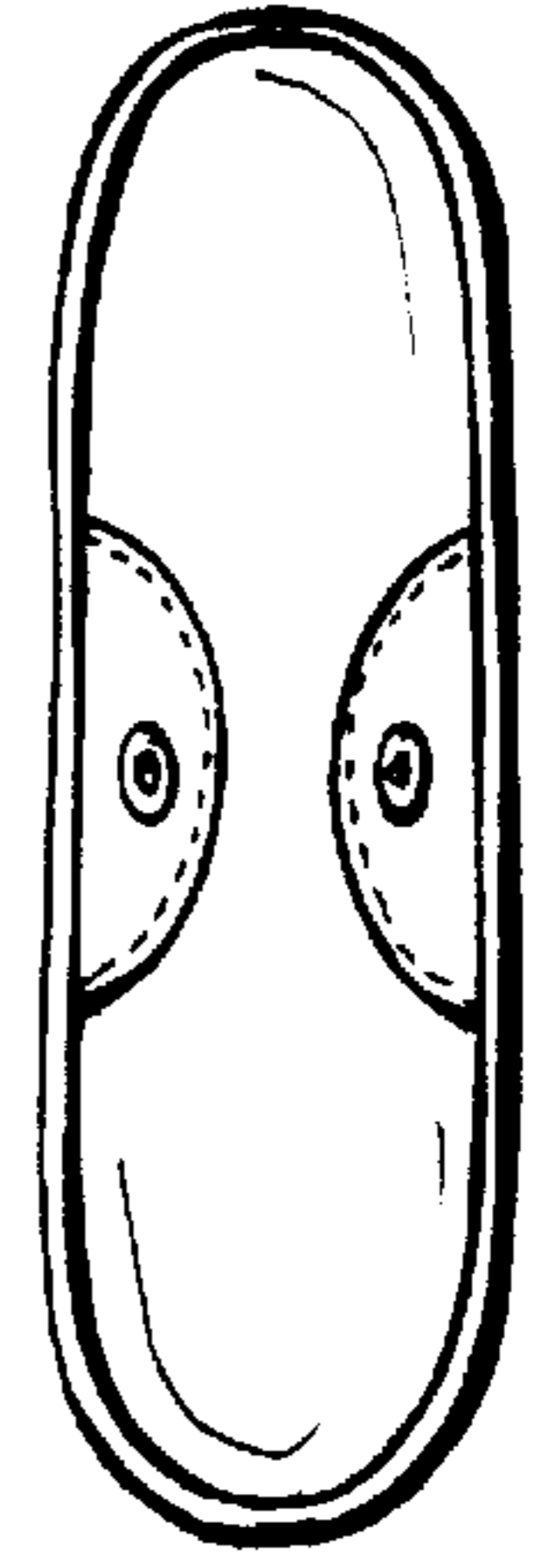
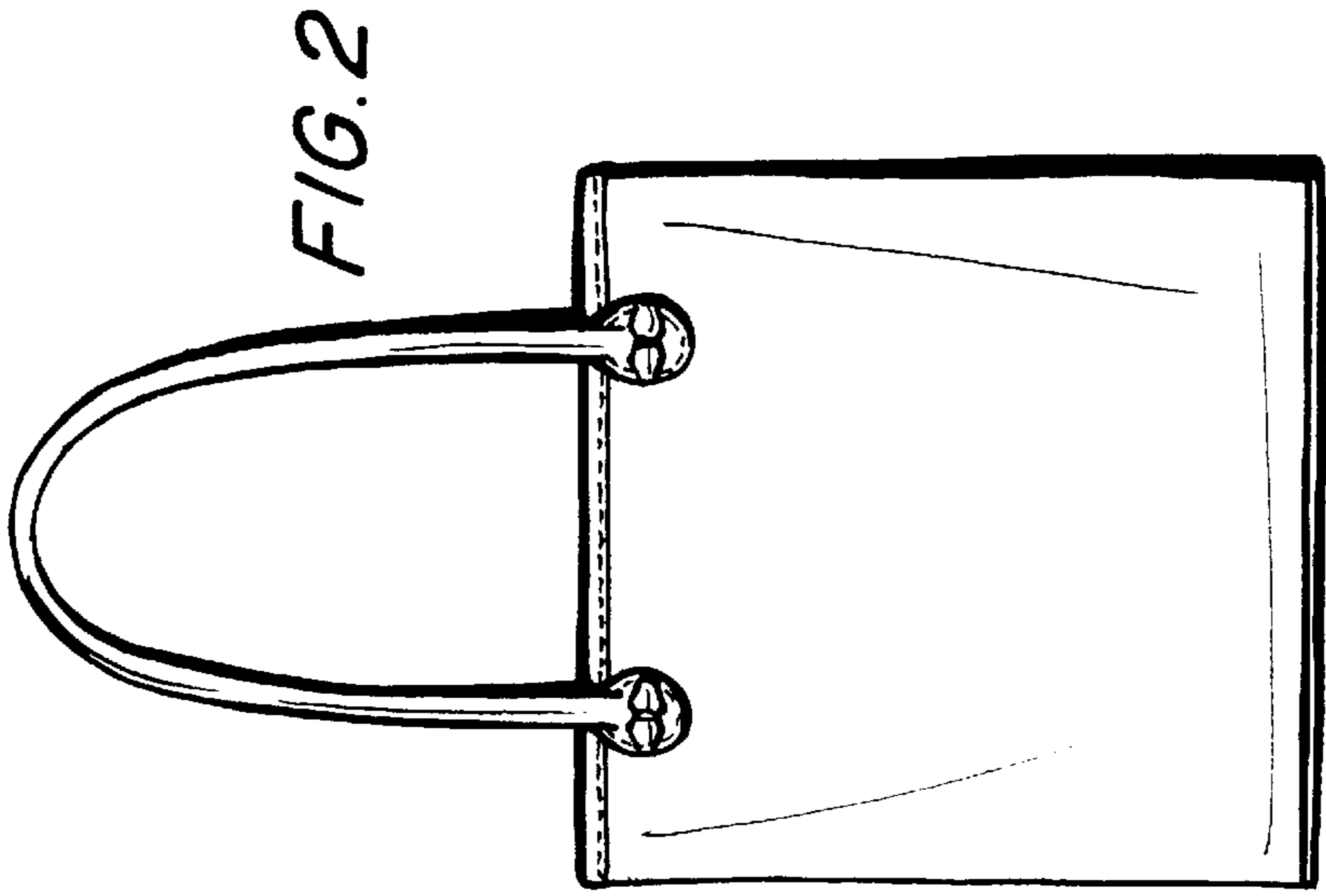


FIG. 5

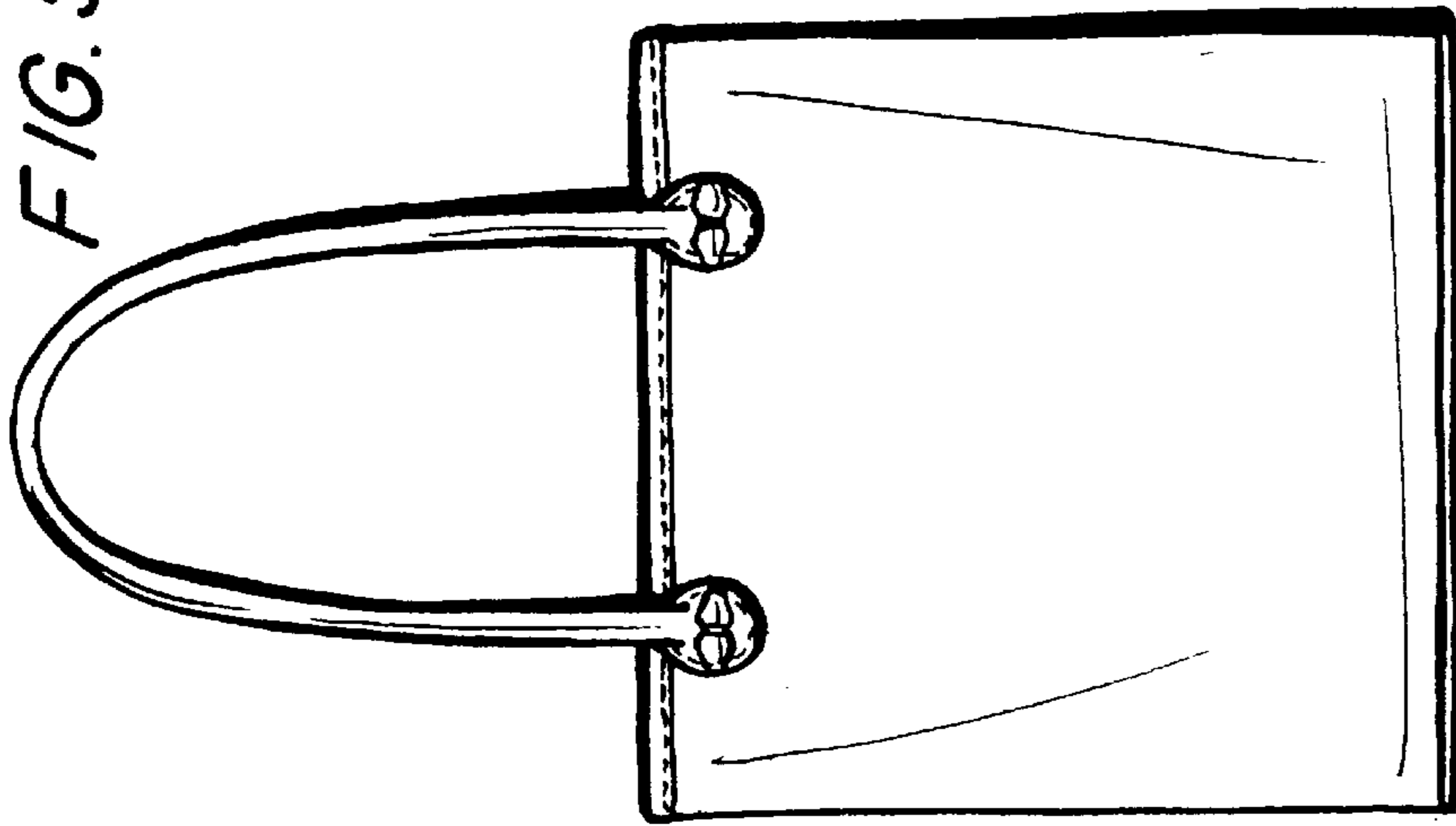


FIG. 6

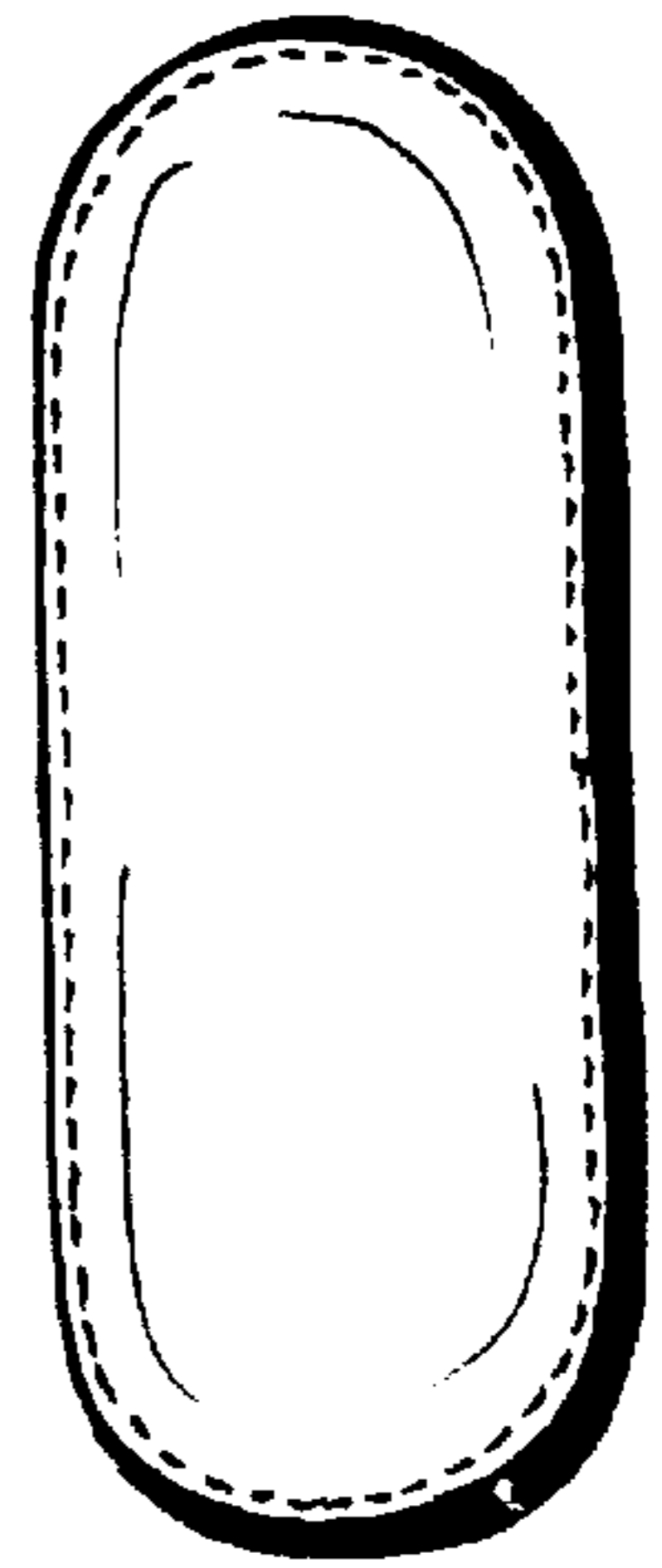


FIG. 4

