



US00D439039S

(12) **United States Design Patent**
Austin

(10) **Patent No.:** **US D439,039 S**

(45) **Date of Patent:** **** Mar. 20, 2001**

(54) **KNIFE HOLDER FOR TOOL BELT**

(76) Inventor: **Christopher R. Austin, 5764**
Rosewood Dr., Myrtle Beach, SC (US)
29575

(**) Term: **14 Years**

(21) Appl. No.: **29/126,188**

(22) Filed: **Jul. 8, 2000**

(51) **LOC (7) Cl.** **03-01**

(52) **U.S. Cl.** **D3/228; D3/220**

(58) **Field of Search** D3/228, 215, 220,
D3/222, 223; 30/151; 224/232, 240, 247,
674, 678

(56) **References Cited**

U.S. PATENT DOCUMENTS

D. 188,382	*	7/1960	Stella	D3/222
D. 291,627	*	9/1987	Collins	D3/220
D. 317,037	*	5/1991	Koshiishi	D3/220
2,664,231	*	12/1953	Mantia	224/247
4,942,663	*	7/1990	Ray, Sr.	224/232

* cited by examiner

Primary Examiner—Louis S. Zarfaz
Assistant Examiner—Catherine R. Oliver
(74) *Attorney, Agent, or Firm*—Harleston Law Firm;
Kathleen M. Harleston

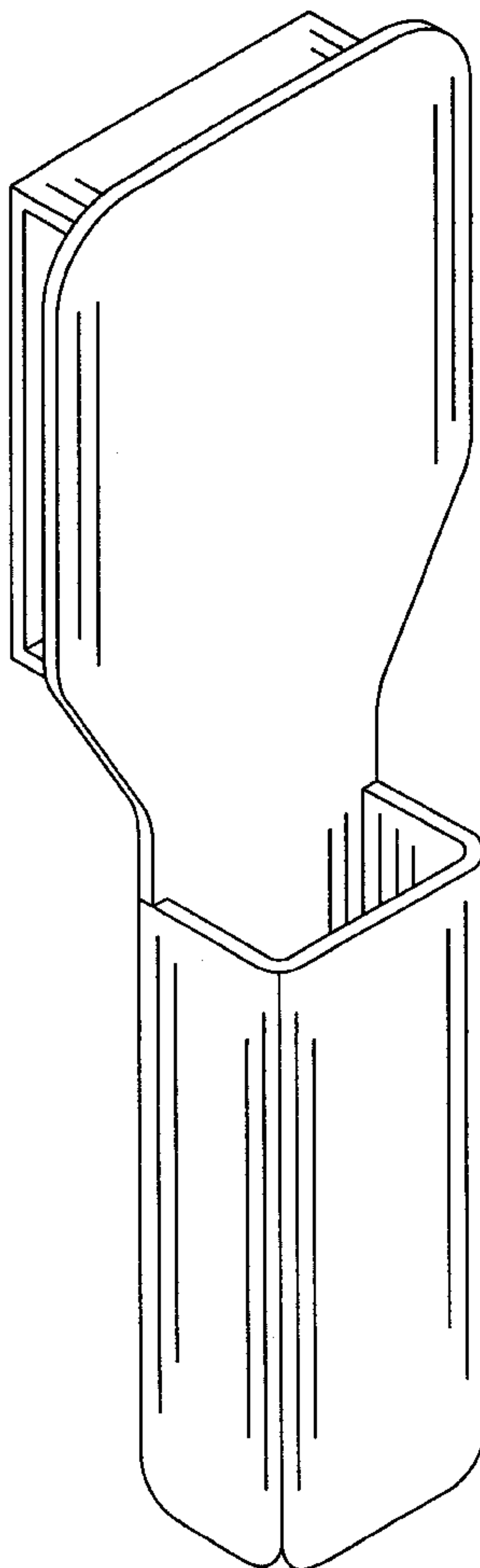
(57) **CLAIM**

The ornamental design for a knife holder for a tool belt, as shown and described.

DESCRIPTION

FIG. 1 is a front perspective view of a knife holder, showing my new design;
FIG. 2 is a front perspective view of a knife holder, showing my new design;
FIG. 3 is a front elevational view thereof;
FIG. 4 is a right side elevational view thereof, the left side elevational view being a mirror image thereof;
FIG. 5 is a rear elevational view thereof;
FIG. 6 is a top plan view thereof; and,
FIG. 7 is a bottom plan view thereof.
In FIG. 1 of the drawings, the broken line disclosure of a tool belt and putty knife is for illustrative purposes only and forms no part of the claimed design.

1 Claim, 4 Drawing Sheets



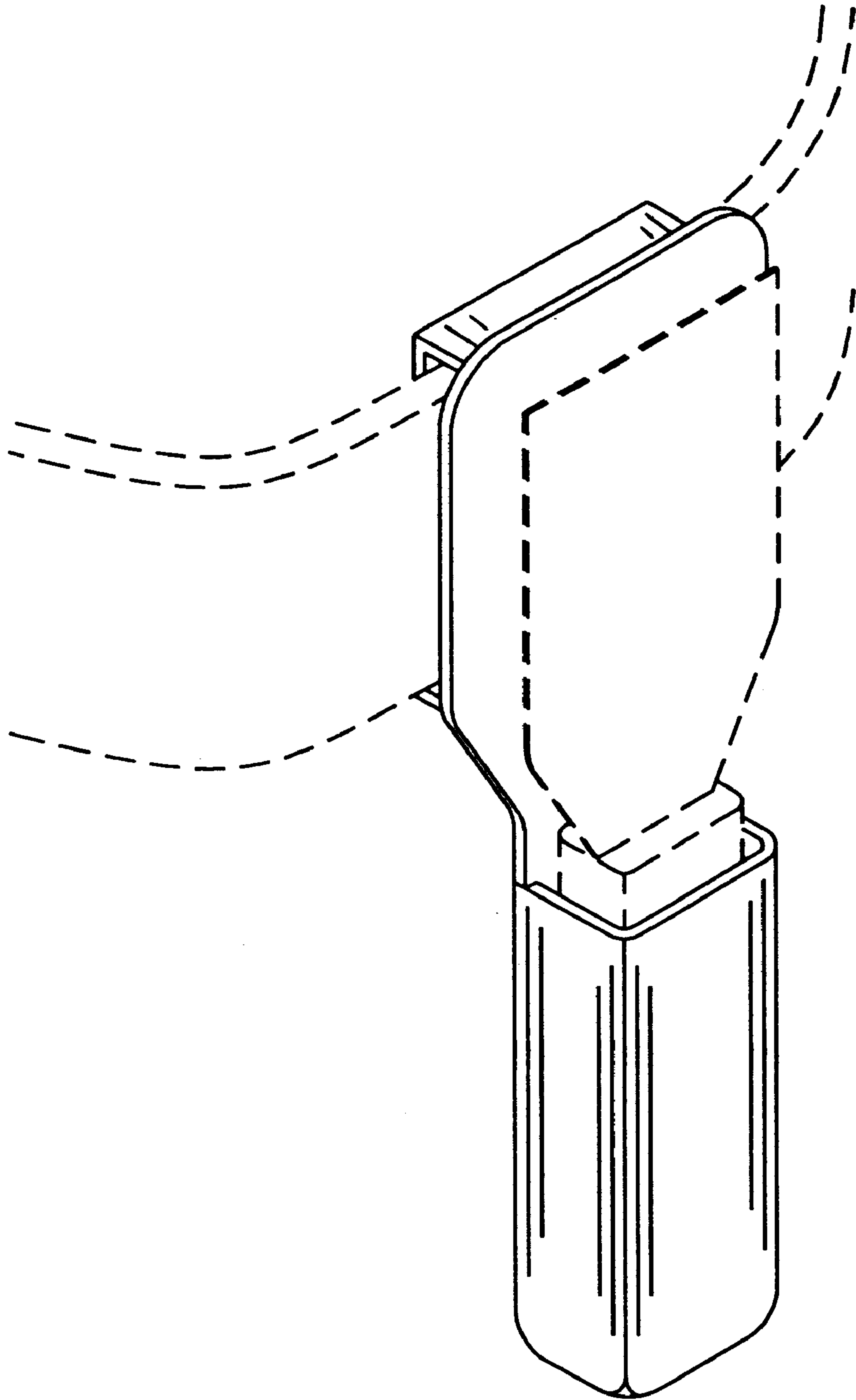


FIG. 1

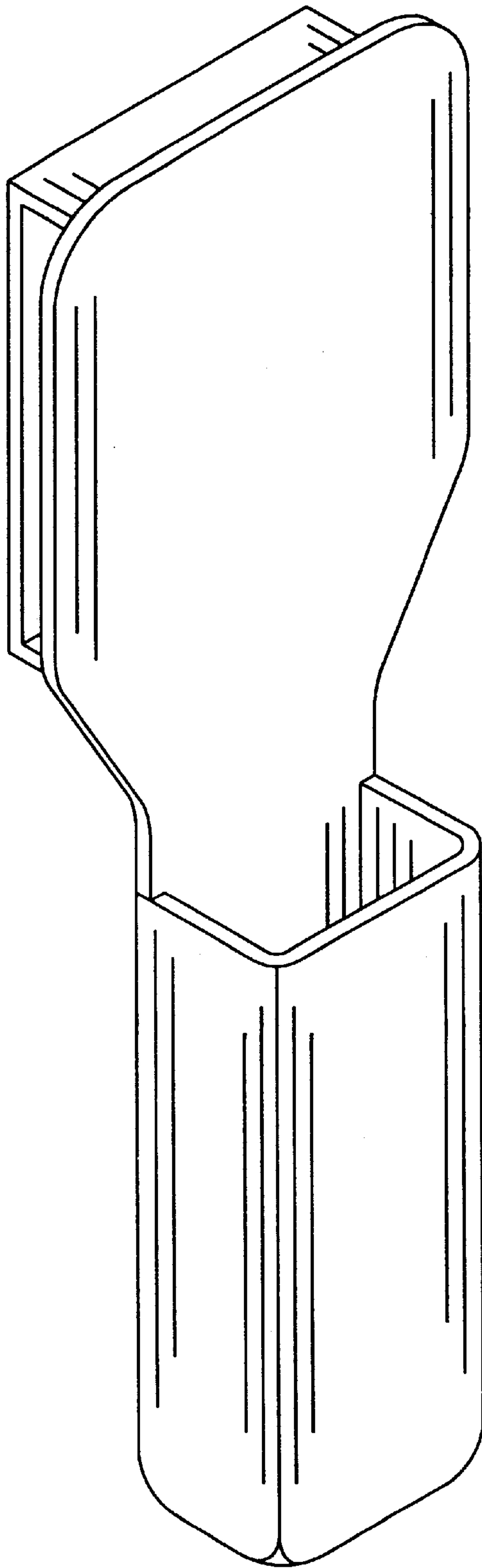


FIG. 2

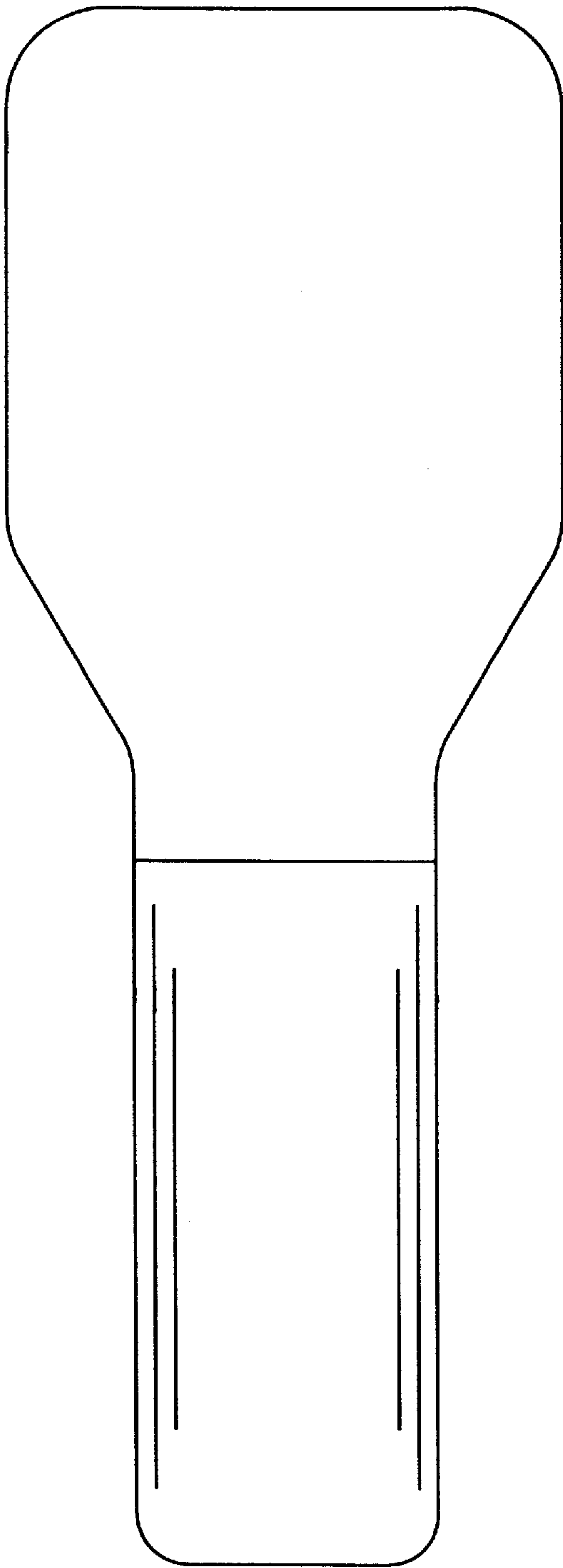


FIG. 3

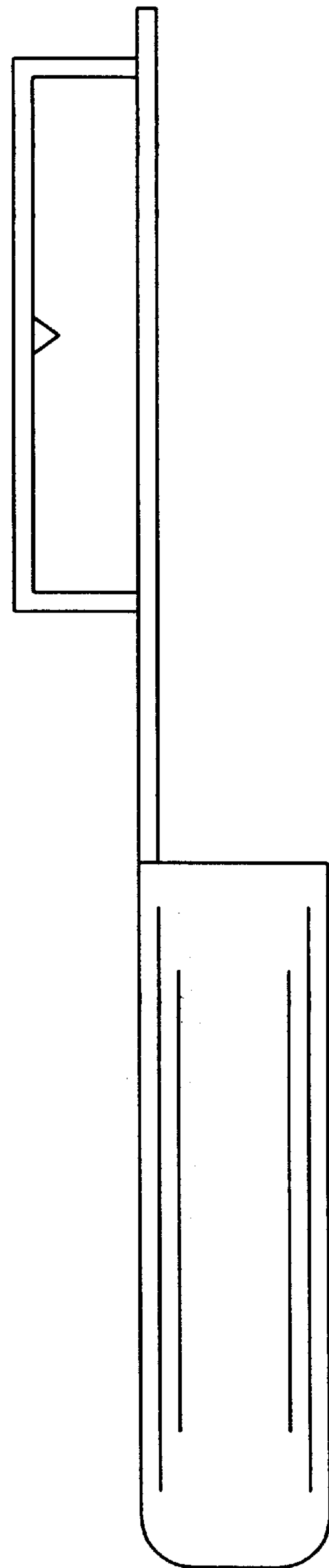


FIG. 4

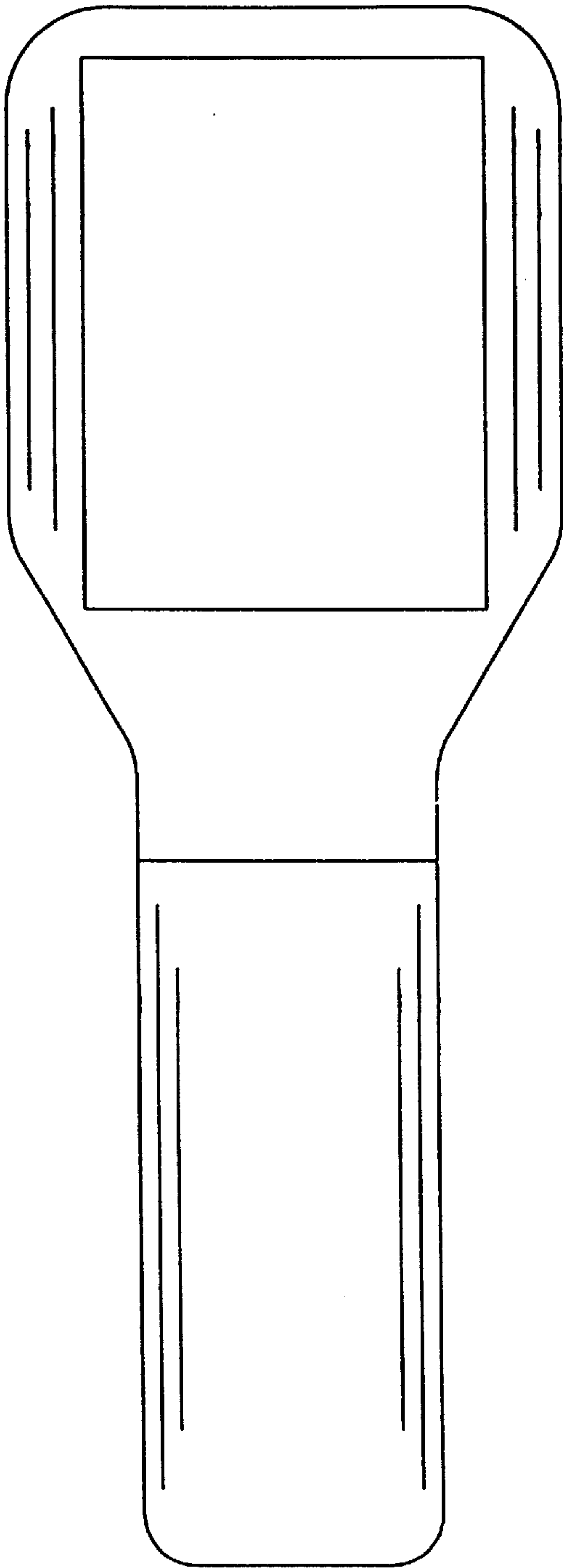


FIG. 5

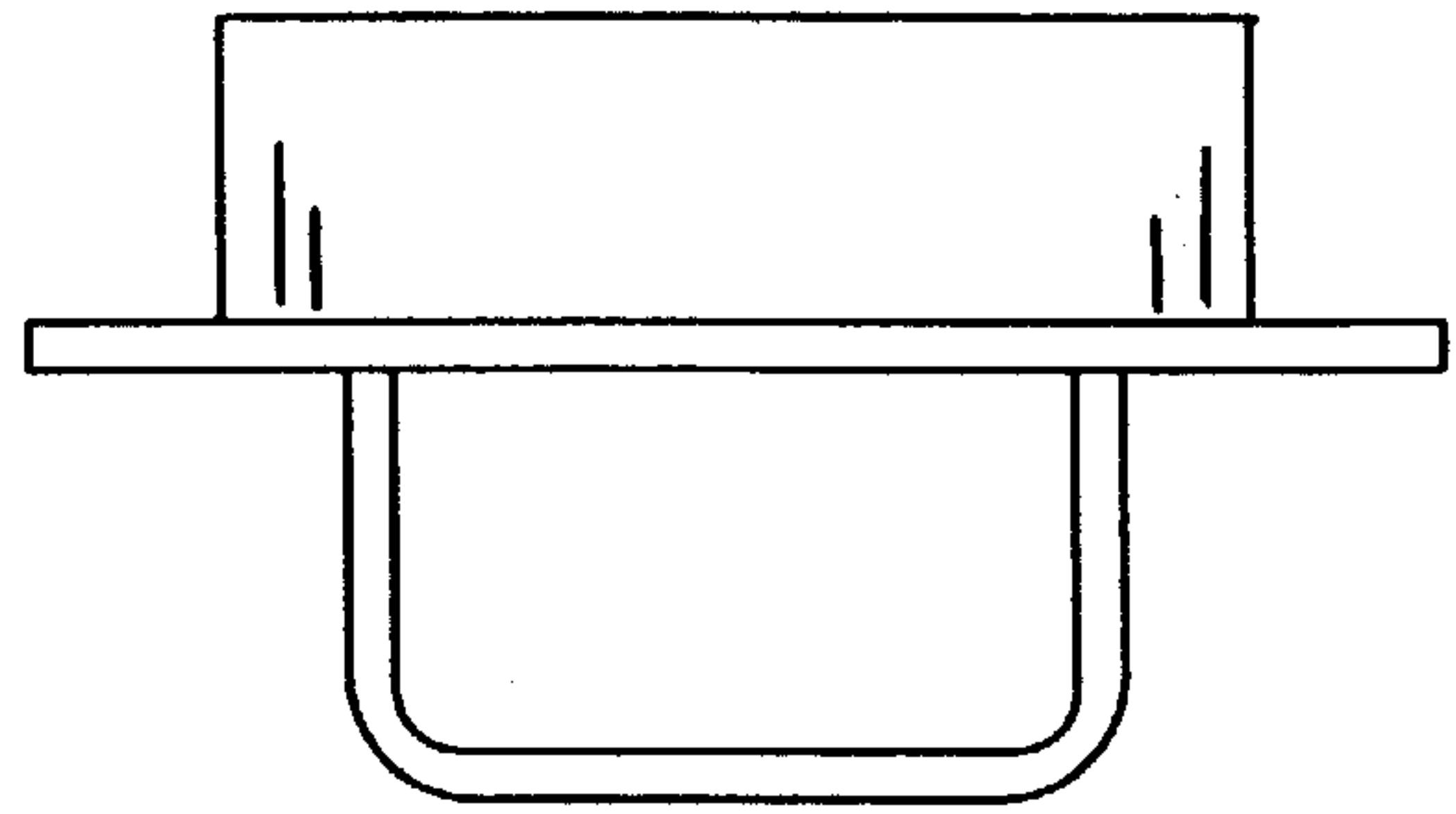


FIG. 6

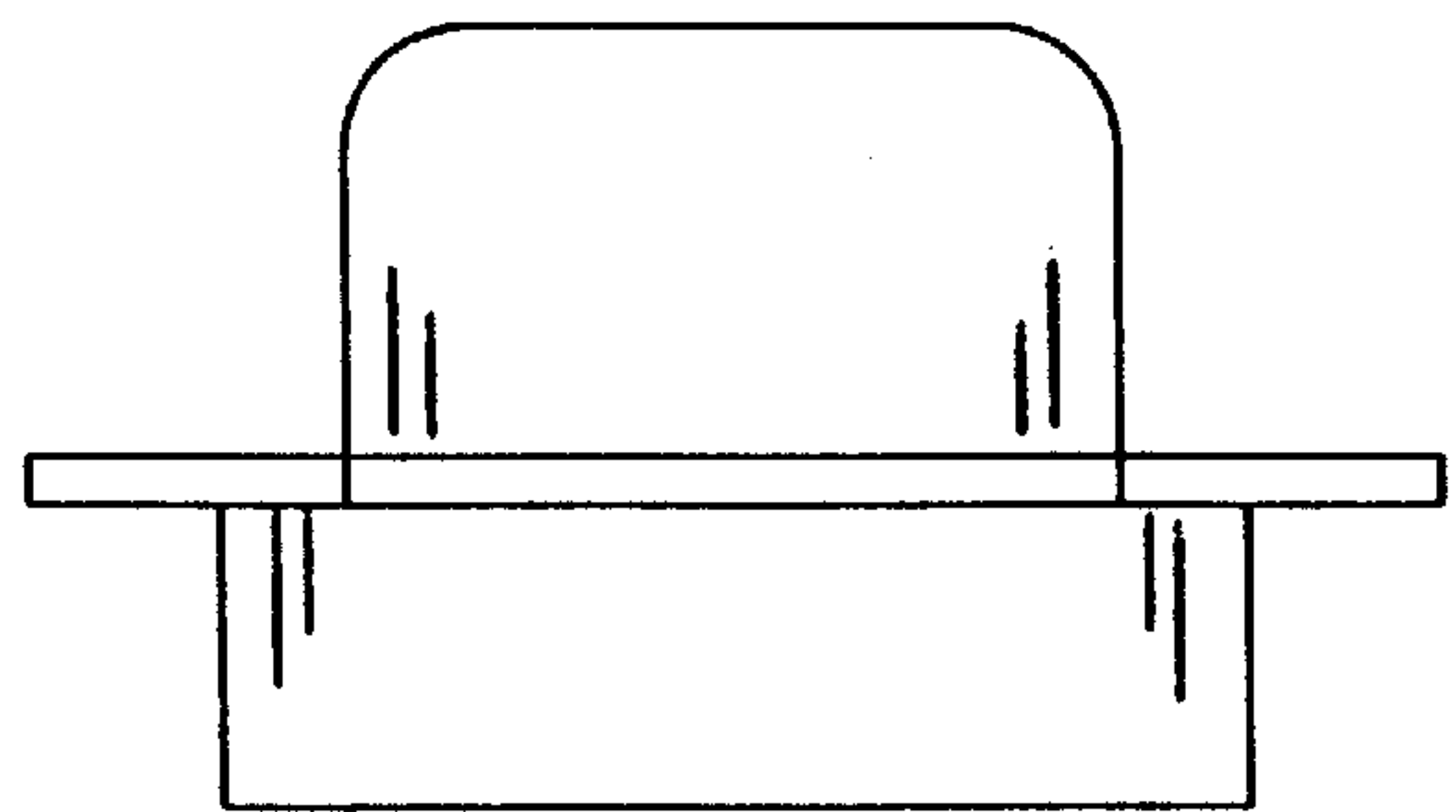


FIG. 7