



US00D439036S

(12) **United States Design Patent**
Van Doren

(10) **Patent No.:** **US D439,036 S**

(45) **Date of Patent:** **** Mar. 20, 2001**

(54) **CASE FOR REEDS OF WIND INSTRUMENTS**

(75) Inventor: **Bernard Van Doren, Paris (FR)**

(73) Assignee: **Etablissemments Vandoren, Paris (FR)**

(**) Term: **14 Years**

(21) Appl. No.: **29/125,203**

(22) Filed: **Jun. 20, 2000**

(30) **Foreign Application Priority Data**

Dec. 22, 1999 (FR) 99 7825

(51) **LOC (7) Cl.** **03-01**

(52) **U.S. Cl.** **D3/204; D3/201; D17/13**

(58) **Field of Search** **D3/201-204; D17/13;**
206/314, 205

(56) **References Cited**

U.S. PATENT DOCUMENTS

828,145	*	8/1906	Snodgrass	206/314
1,997,820	*	4/1935	Govoni	206/314
2,197,565	*	4/1940	Brand	206/314
2,910,173	*	10/1959	Fenburr	206/314
3,344,913	*	10/1967	Best	206/314
3,393,793	*	7/1968	Eresman	206/314
3,670,871	*	6/1972	Thomas	206/314
4,250,995	*	2/1981	Lorenzini	206/314
4,352,428	*	10/1982	Pascucci et al.	206/314
4,674,630	*	6/1987	Kirck	206/205
5,816,395	*	10/1998	Dougherty	206/314

* cited by examiner

Primary Examiner—Celia Murphy

(74) *Attorney, Agent, or Firm*—Scully, Scott, Murphy & Presser

(57) **CLAIM**

The ornamental design for a case for reeds of wind instruments, as shown and described.

DESCRIPTION

The invention relates to a case for reeds of wind instruments. This case comprises a body and a lid, the lid being mounted pivotally relative to one end of the body.

The body and the lid are made of a molded plastic material.

FIG. 1 is a bottom plan view of the body;

FIG. 2 is a top plan view of the body;

FIGS. 3 and 4 are side elevation views of the body respectively along each of its longitudinal sides;

FIGS. 5 and 6 are elevation views of the body respectively from each of its ends;

FIG. 7 is a bottom plan view of the lid;

FIG. 8 is a top plan view of the lid;

FIGS. 9 and 10 are side elevation views of the lid respectively along each of its longitudinal sides;

FIGS. 11 and 12 are elevation views of the lid respectively from each of its ends;

FIG. 13 is a bottom view of the case, with the body and the lid in the assembled position, the lid being in the closing position turned down onto the body;

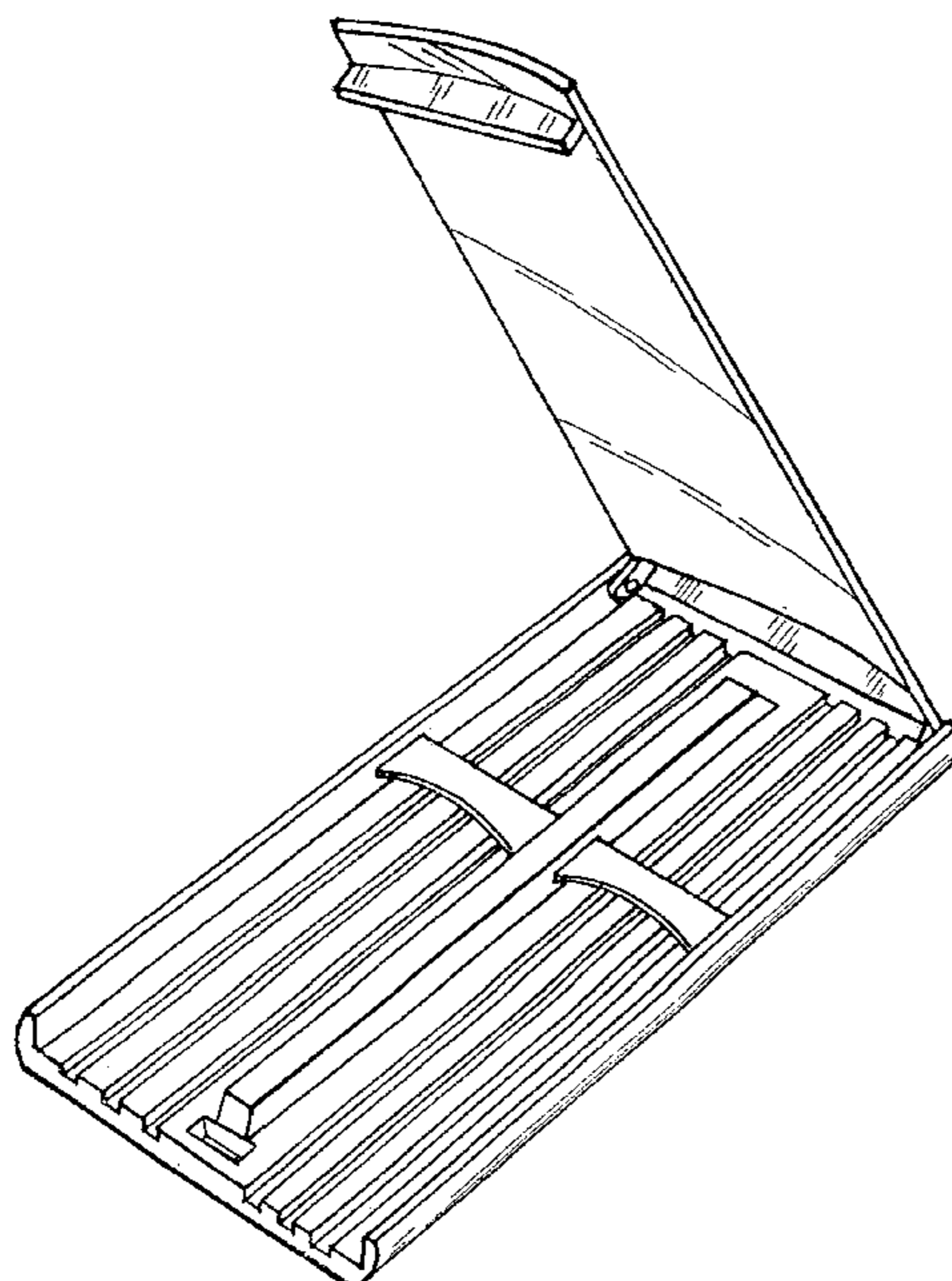
FIG. 14 is a top view of the case in the position of FIG. 13;

FIGS. 15 and 16 are side elevation views of the case, in the position of FIG. 13, respectively along each of its longitudinal sides;

FIGS. 17 and 18 are elevation views of the case, in the position of FIG. 13, respectively from each of its ends; and,

FIGS. 19 and 20 are perspective views of the case in the closed position and in the open position respectively.

1 Claim, 4 Drawing Sheets



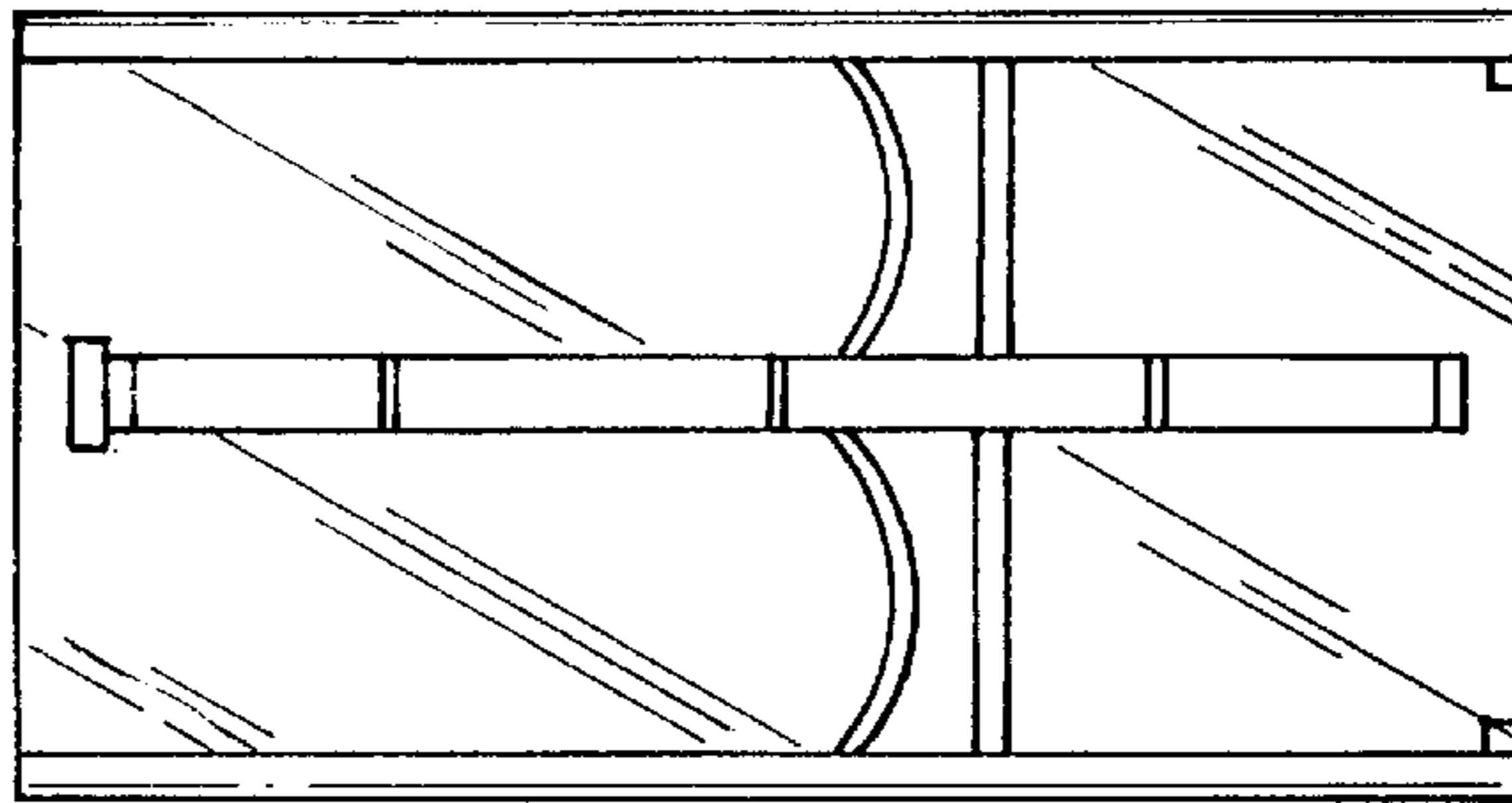


Fig. 1

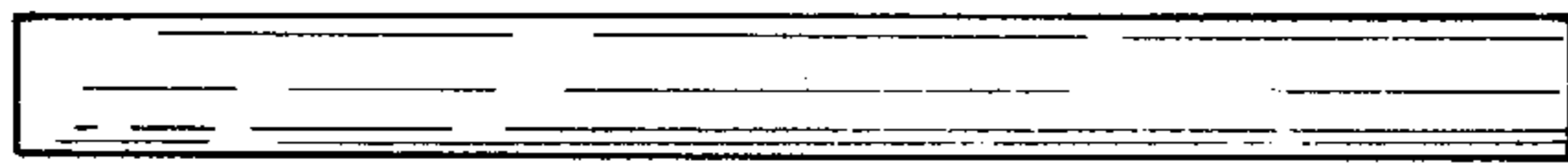


Fig. 3

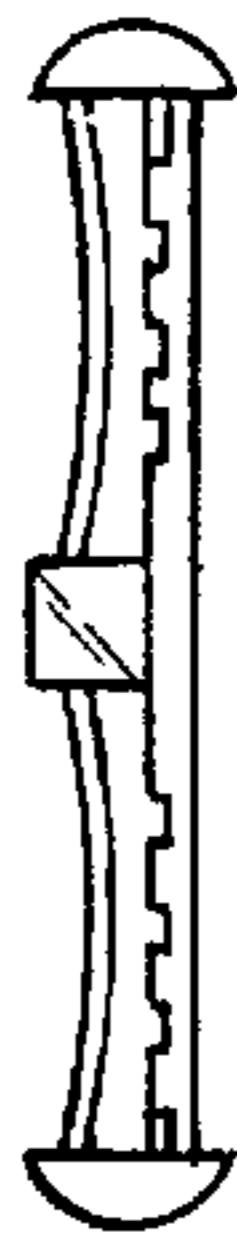


Fig. 5

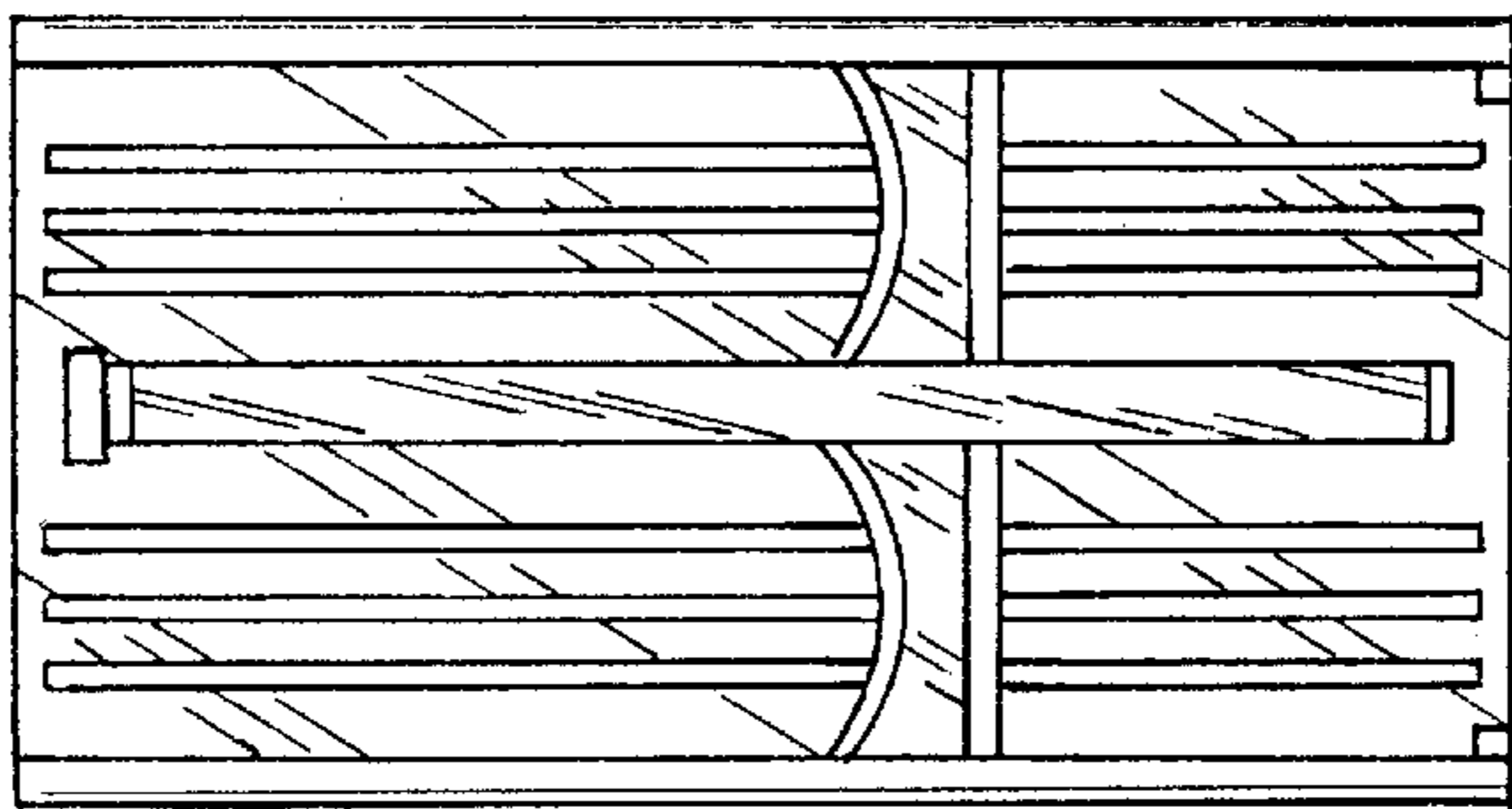


Fig. 2



Fig. 6

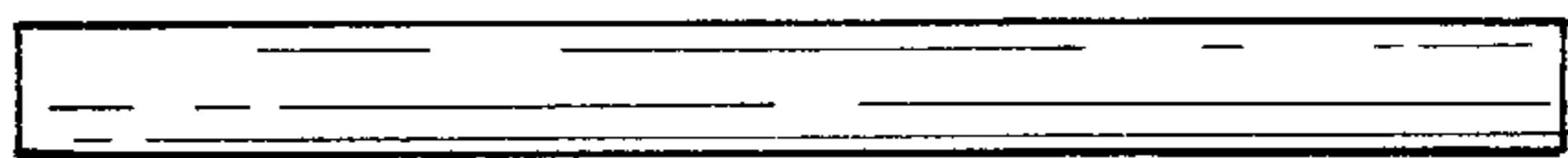


Fig. 4

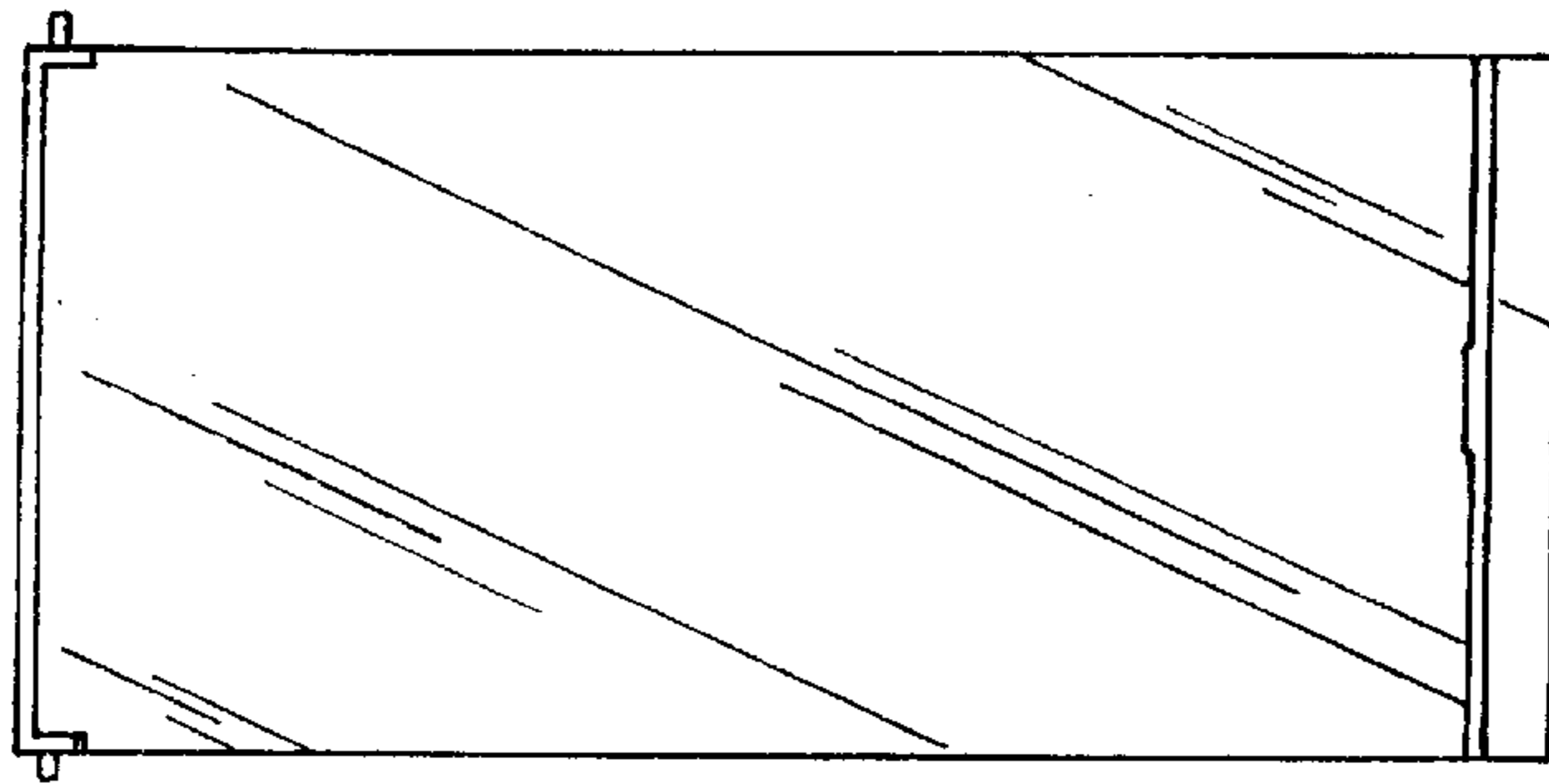


Fig. 7

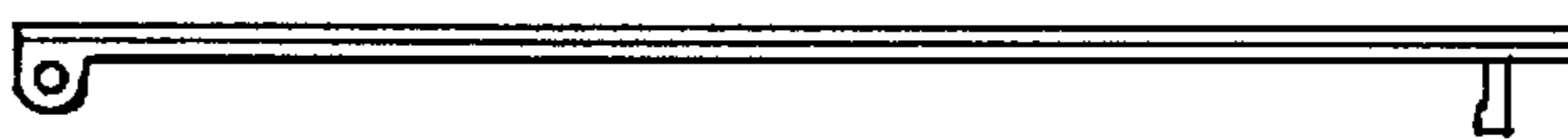


Fig. 9

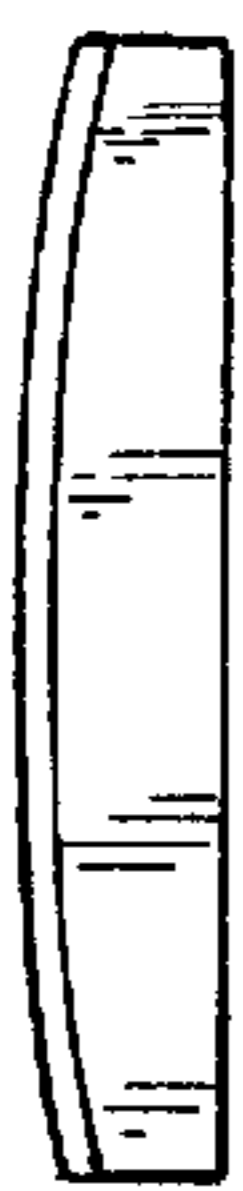


Fig. 11

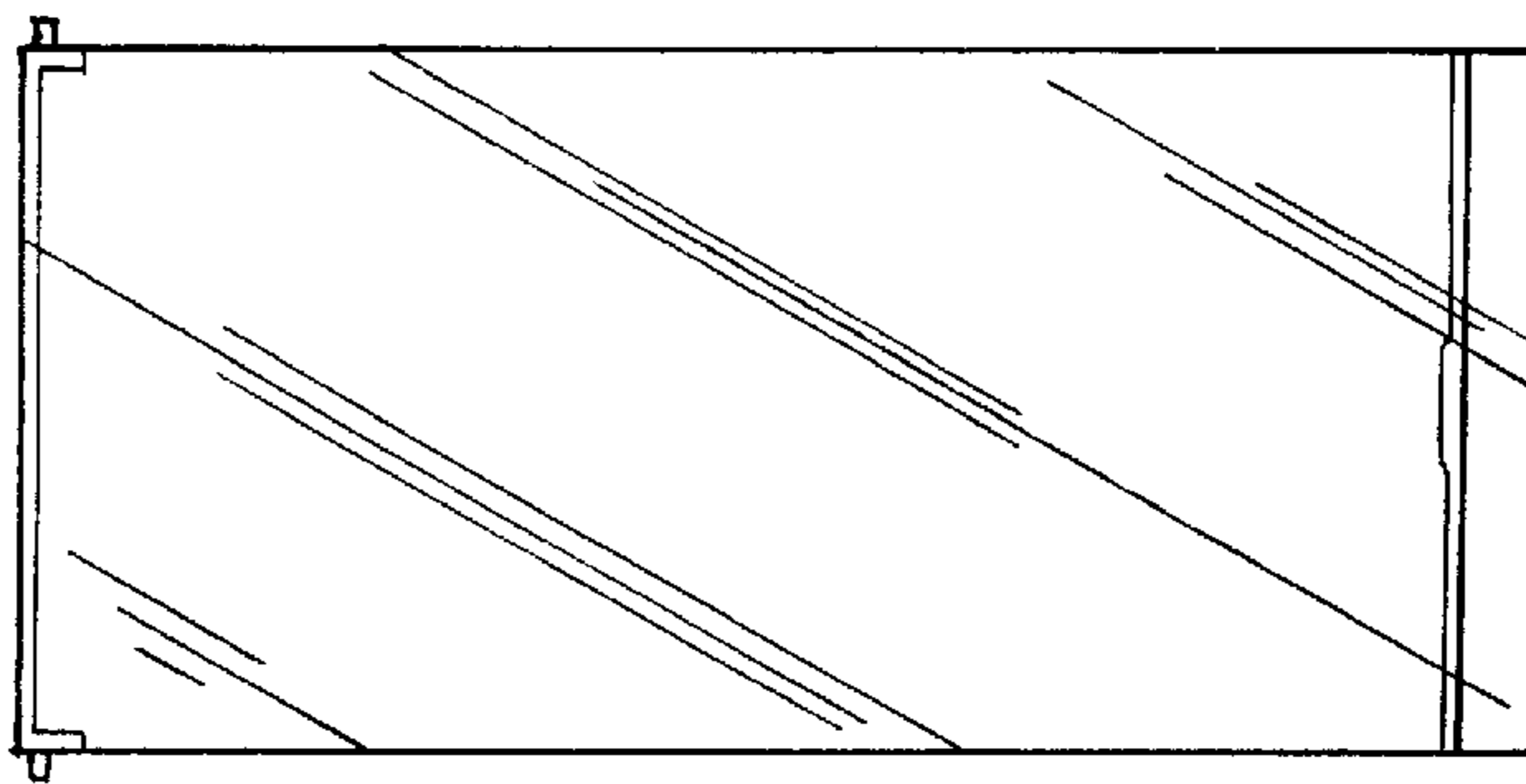


Fig. 8



Fig. 12



Fig. 10

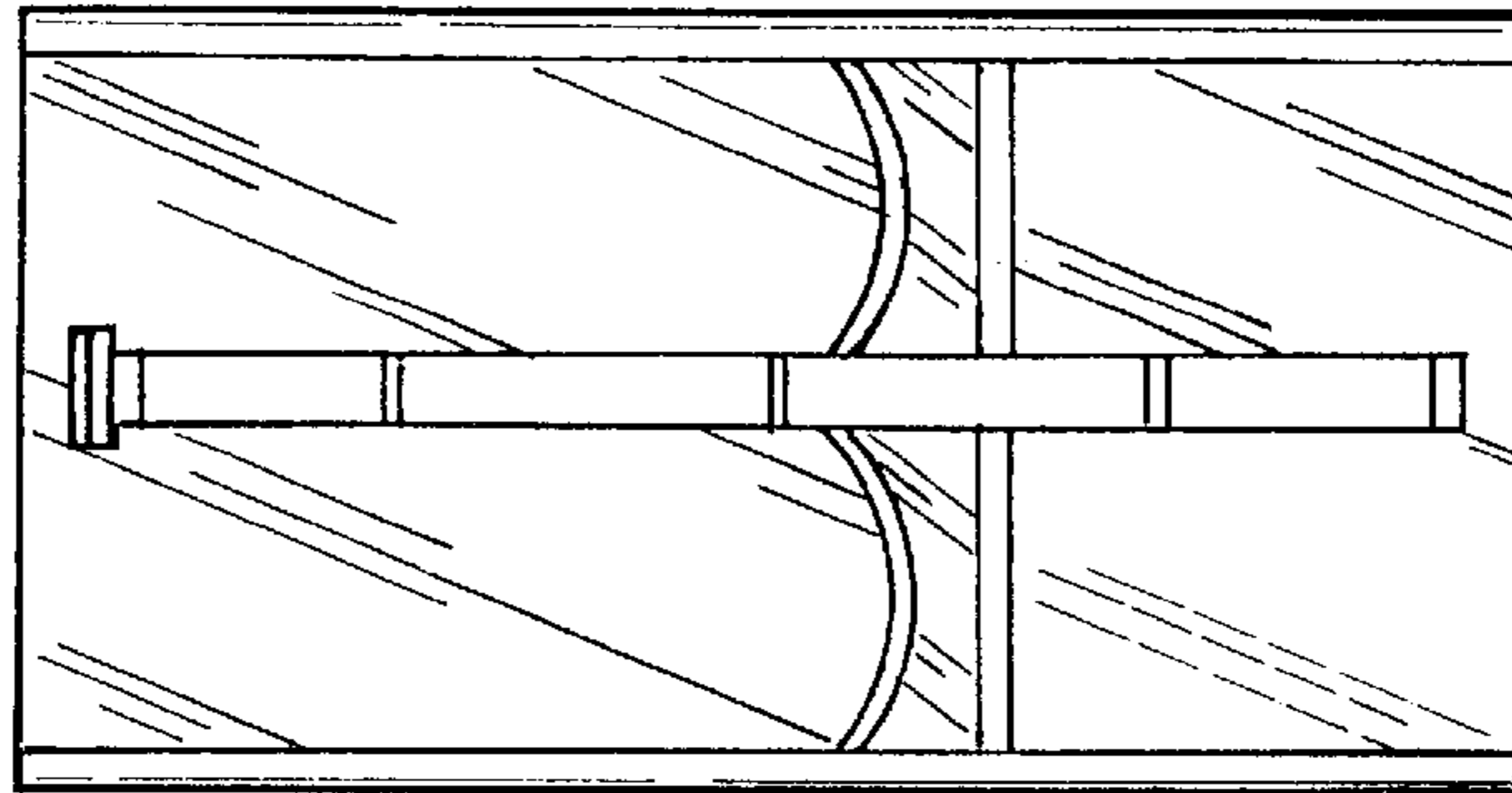


Fig. 13

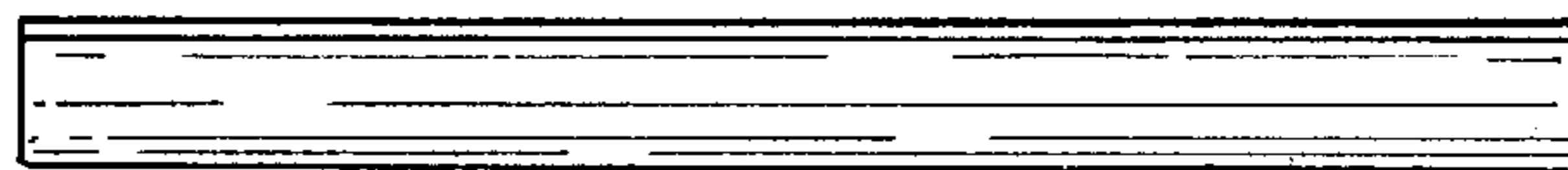


Fig. 15



Fig. 17

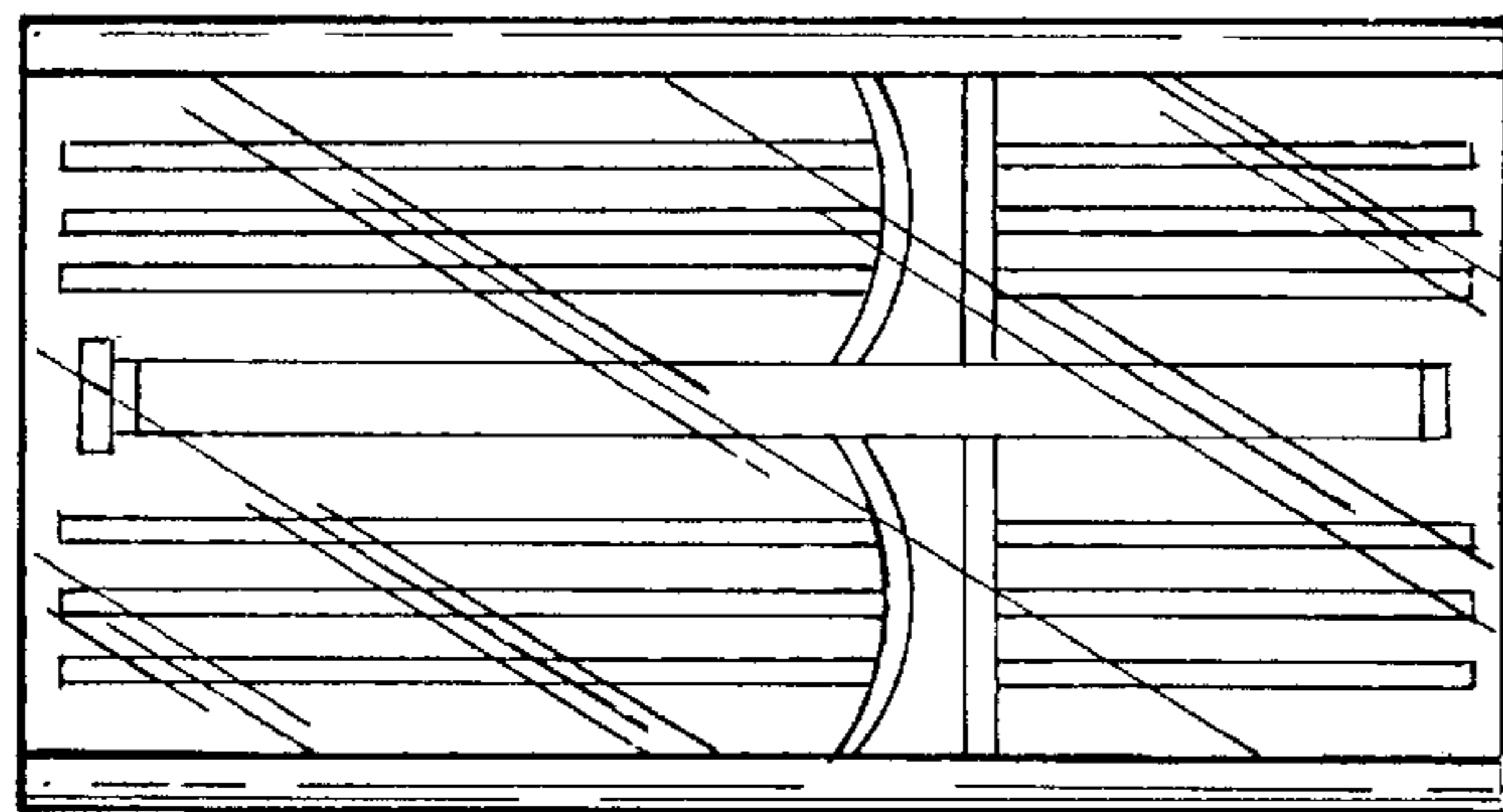


Fig. 14



Fig. 18

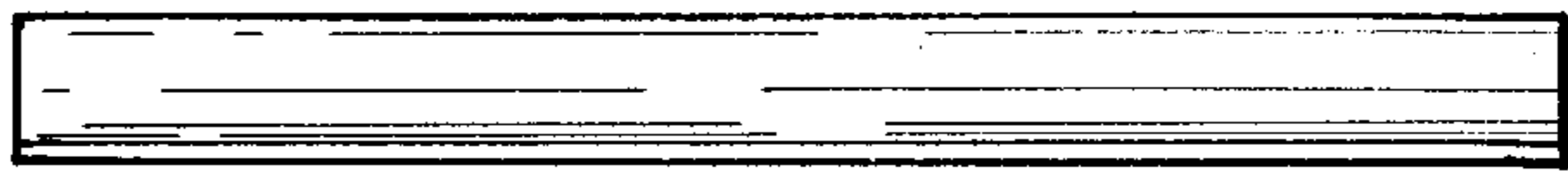


Fig. 16

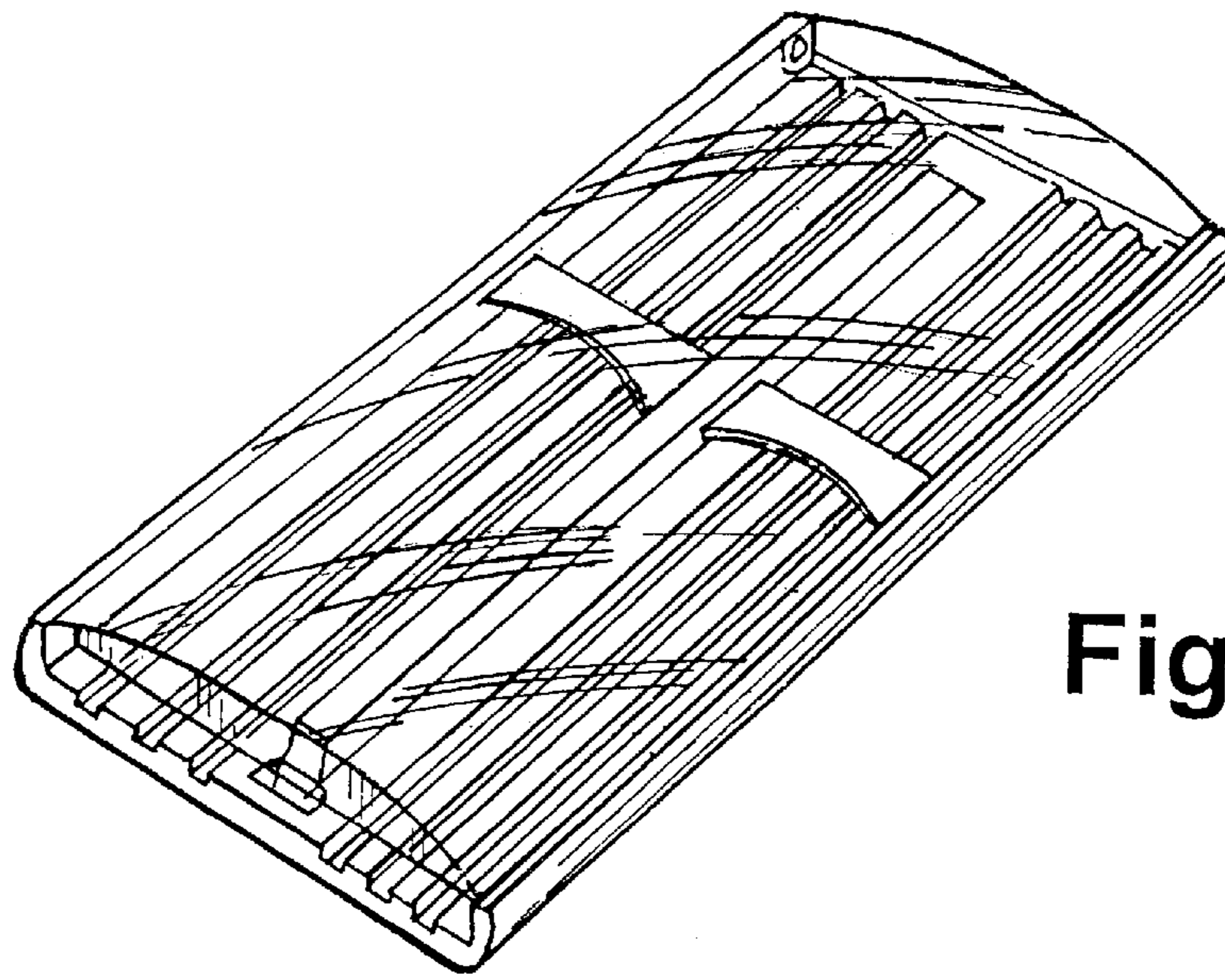


Fig. 19

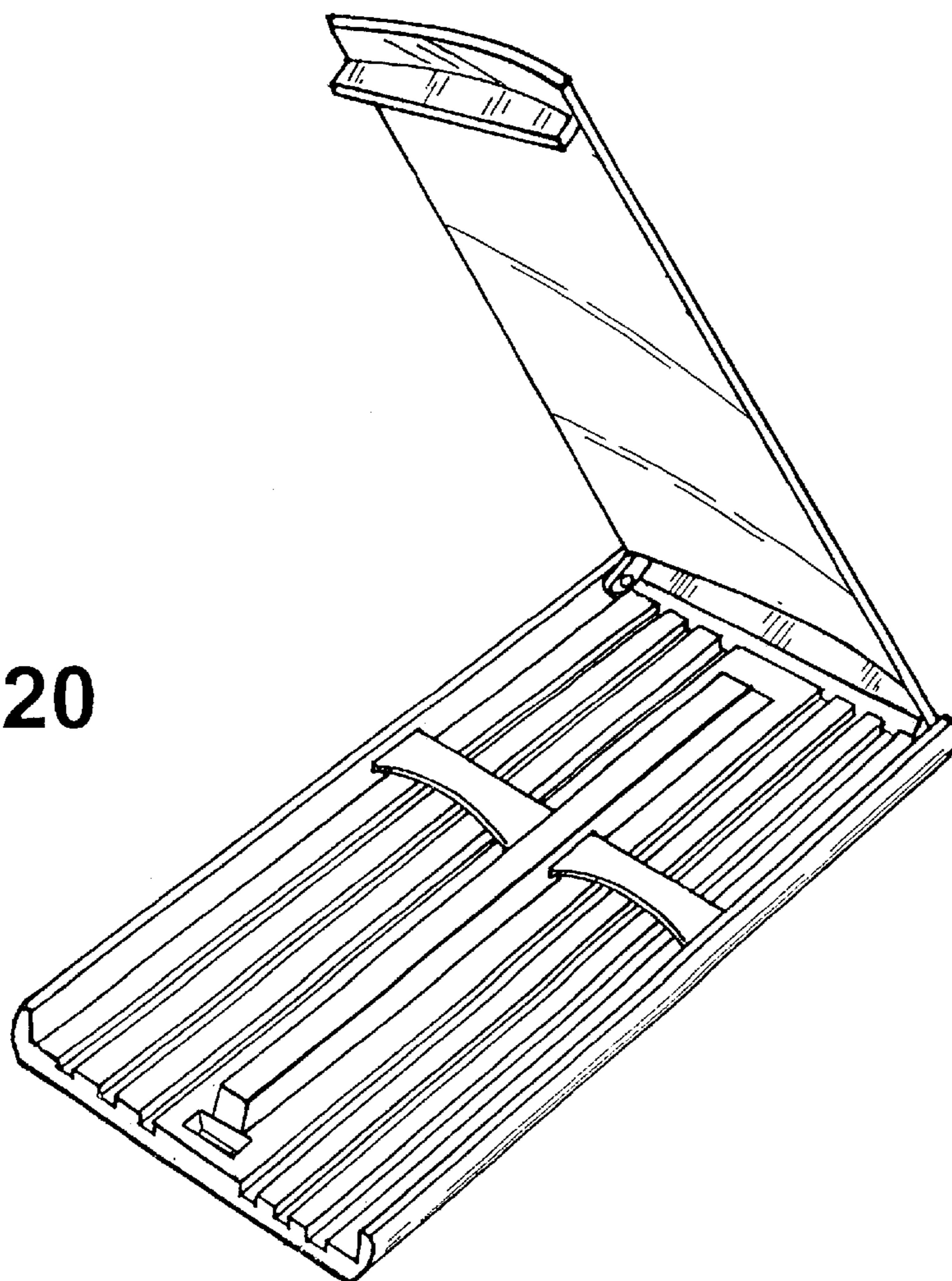


Fig. 20