



US00D439024S

(12) **United States Design Patent**  
**Baldwin et al.**

(10) **Patent No.:** **US D439,024 S**  
(45) **Date of Patent:** **\*\* Mar. 13, 2001**

- (54) **BURIAL CASKET**
- (75) Inventors: **JoAnn Baldwin**, Cincinnati, OH (US);  
**Robert Dvorak**, Eden, WI (US)
- (73) Assignee: **Doric Products, Inc.**, Marshall, IL (US)
- (\*\*) Term: **14 Years**
- (21) Appl. No.: **29/119,786**
- (22) Filed: **Mar. 8, 2000**
- (51) **LOC (7) Cl.** ..... **99-00**
- (52) **U.S. Cl.** ..... **D99/1**
- (58) **Field of Search** ..... D99/1, 2, 3, 4,  
D99/5, 6, 7, 8, 9; 27/1, 2, 3, 4, 5, 6, 7,  
8, 9, 10

326,315	9/1885	Meyer .	
331,981	12/1885	Lovett .	
D. 338,313	8/1993	Beardsley .	
369,244	8/1887	Holmes .	
993,996	5/1911	Holstein .	
1,134,719	* 4/1915	Benzing .....	27/6
1,506,379	* 8/1924	Moore .....	27/6
2,062,492	12/1936	Beck .	
3,504,409	* 4/1970	Keller, Jr. ....	27/6
4,195,394	4/1980	Semon .	
4,962,574	10/1990	Estes .	
5,604,965	2/1997	Shaw et al. .	
5,689,869	11/1997	Linville et al. .	
6,105,220	* 8/2000	Belangor .....	27/4

**FOREIGN PATENT DOCUMENTS**

2648	9/1890	(CH) .
4176	of 1892	(GB) .

\* cited by examiner

*Primary Examiner*—Paula A. Mortimer  
(74) *Attorney, Agent, or Firm*—Maginot, Addison & Moore

(56) **References Cited**  
**U.S. PATENT DOCUMENTS**

D. 10,776	8/1878	Nirdlinger .	
D. 18,273	4/1888	McCarthy .	
D. 37,679	11/1905	Eginton .	
D. 56,483	10/1920	Sols .	
D. 77,116	12/1928	Muckleroy .	
D. 78,875	7/1929	Blesch .	
D. 107,587	12/1937	Trevino .	
D. 130,332	11/1941	Trippear .	
D. 161,380	* 12/1950	Schladermundt .....	D99/1
D. 161,381	* 12/1950	Schladermundt .....	D99/1
D. 161,384	12/1950	Schladermundt .	
D. 161,470	* 1/1951	Lager .....	D99/1
D. 183,868	* 11/1958	Wallace .....	D99/1
D. 184,663	* 3/1959	Christensen .....	D99/1
246,241	8/1881	Taylor .	

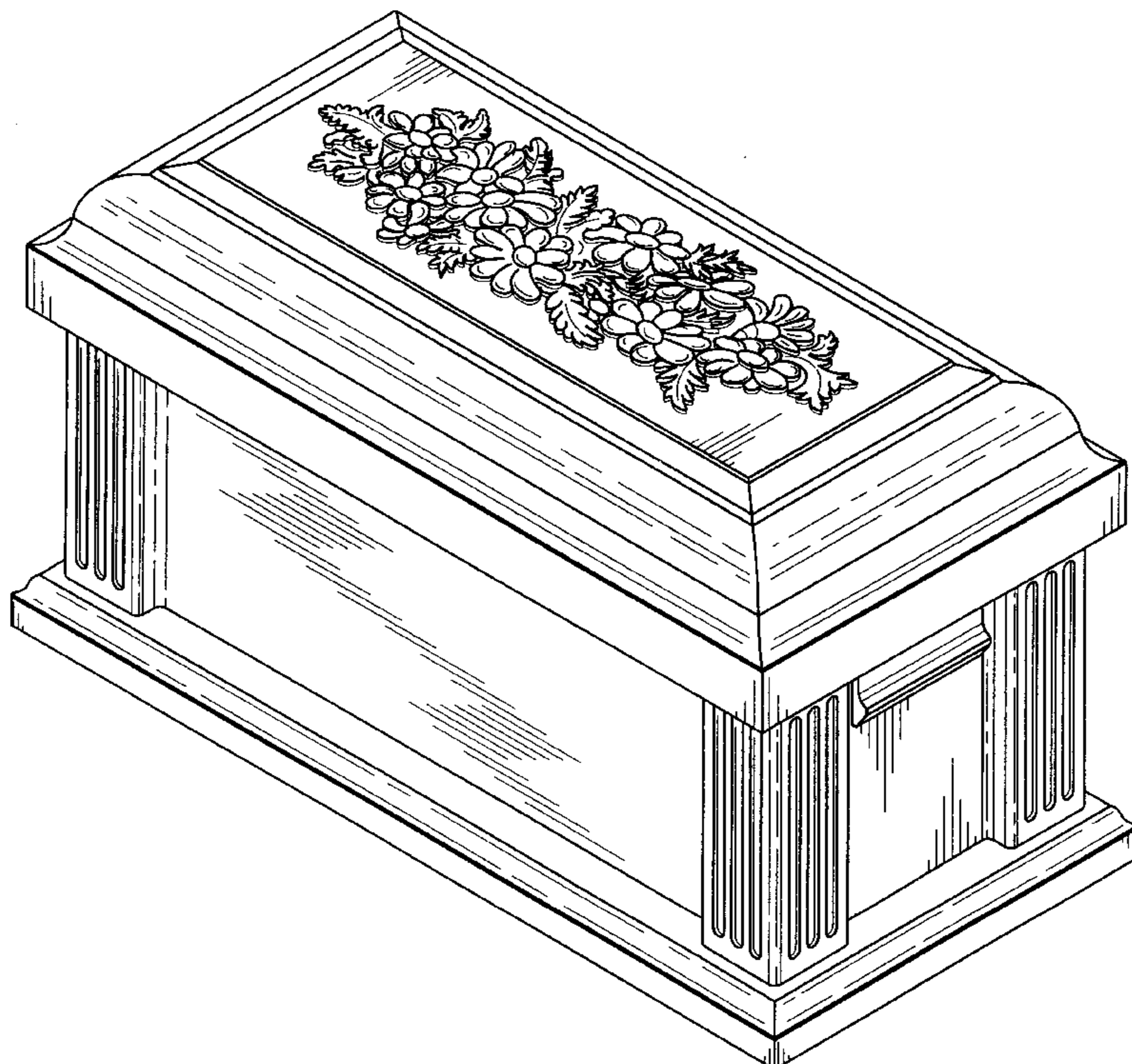
(57) **CLAIM**

The ornamental design for a burial casket, as shown and described.

**DESCRIPTION**

FIG. 1 is a front elevational view of a burial casket showing our new design, the opposite side is a mirror image;  
FIG. 2 is a left side elevational view of a burial casket of FIG. 1 the opposite side is a mirror image;  
FIG. 3 is a top plan view of the burial casket of FIG. 1; and,  
FIG. 4 is a perspective view of the burial casket of FIG. 1.

**1 Claim, 4 Drawing Sheets**



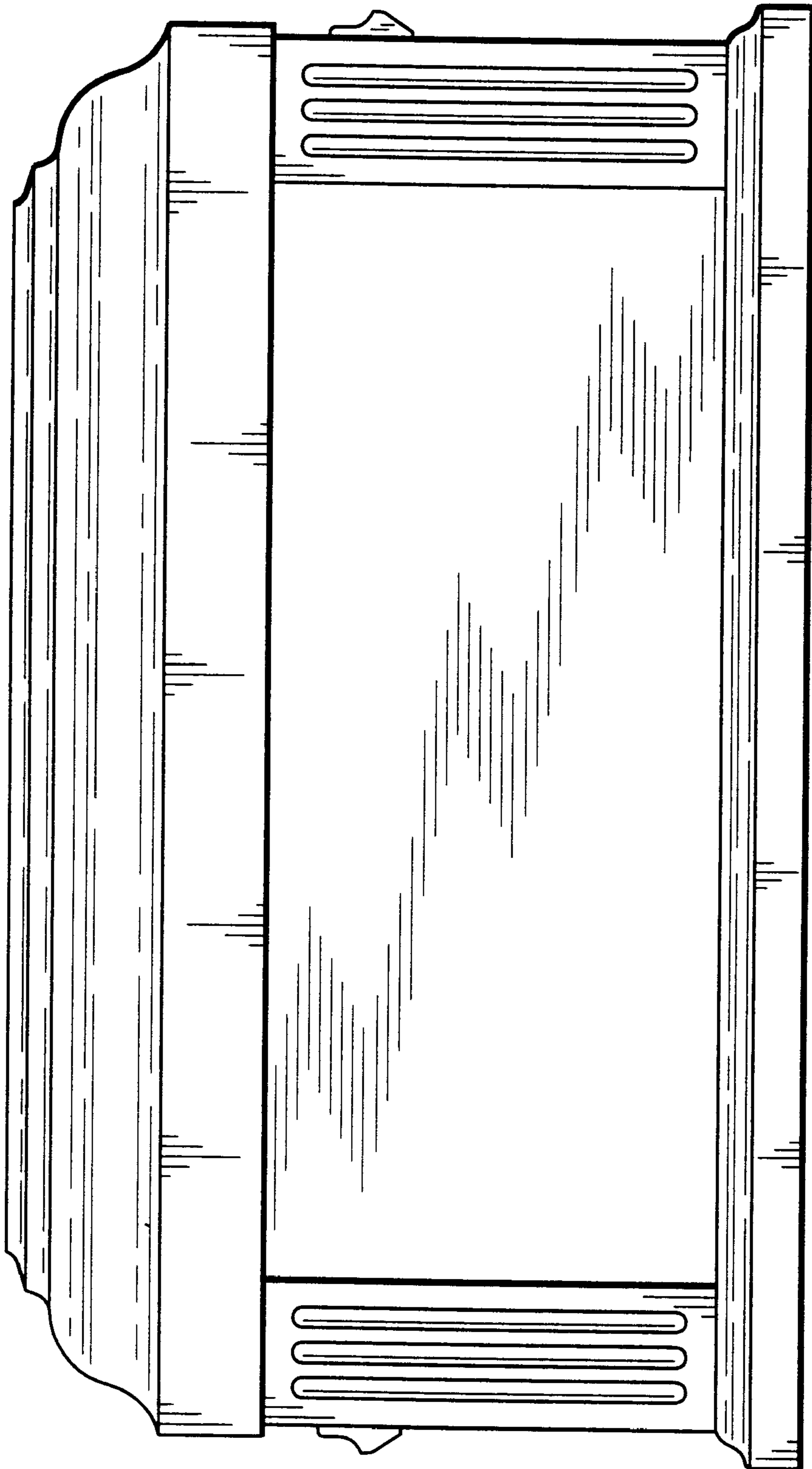


Fig. 1

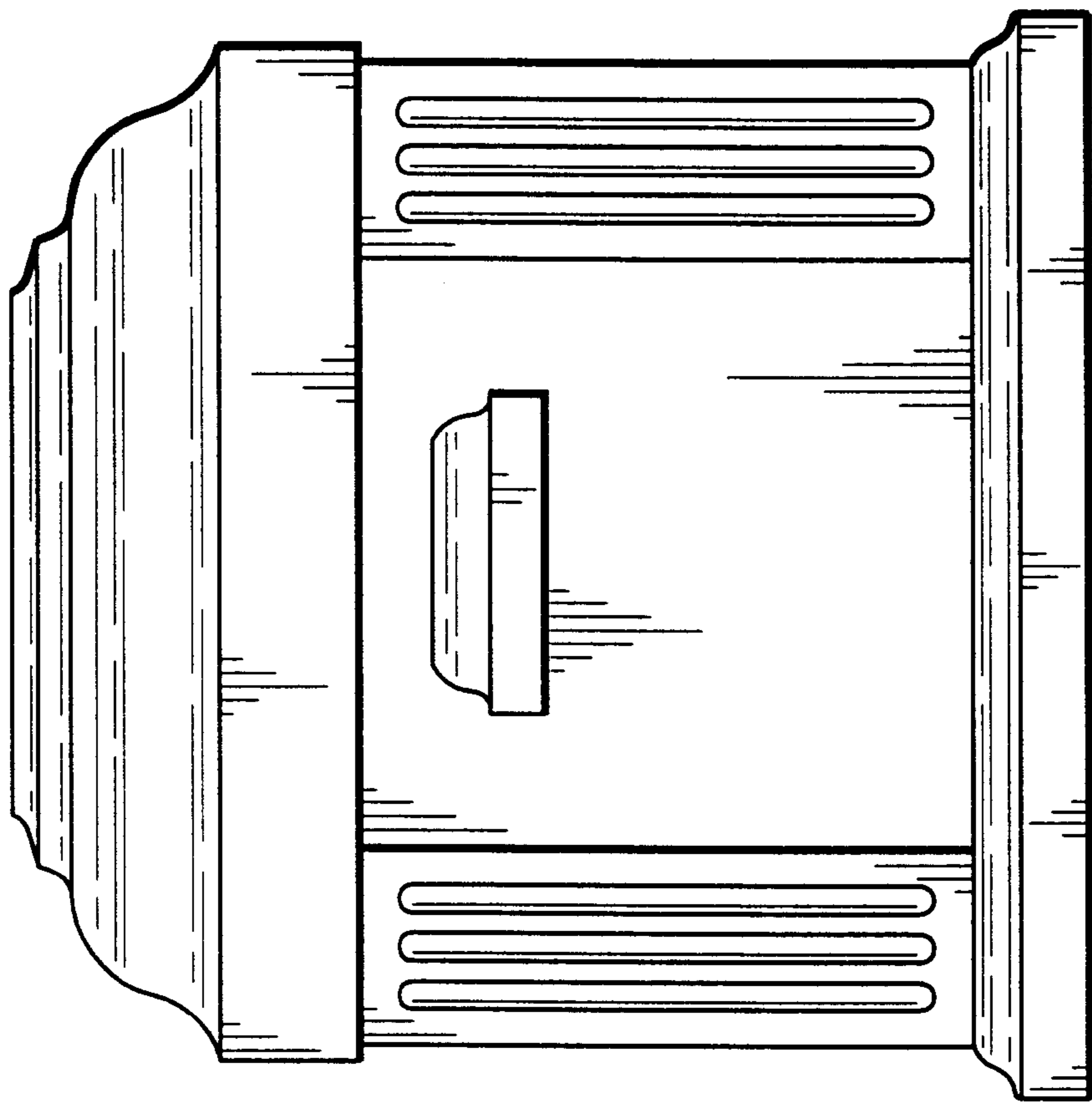


Fig. 2

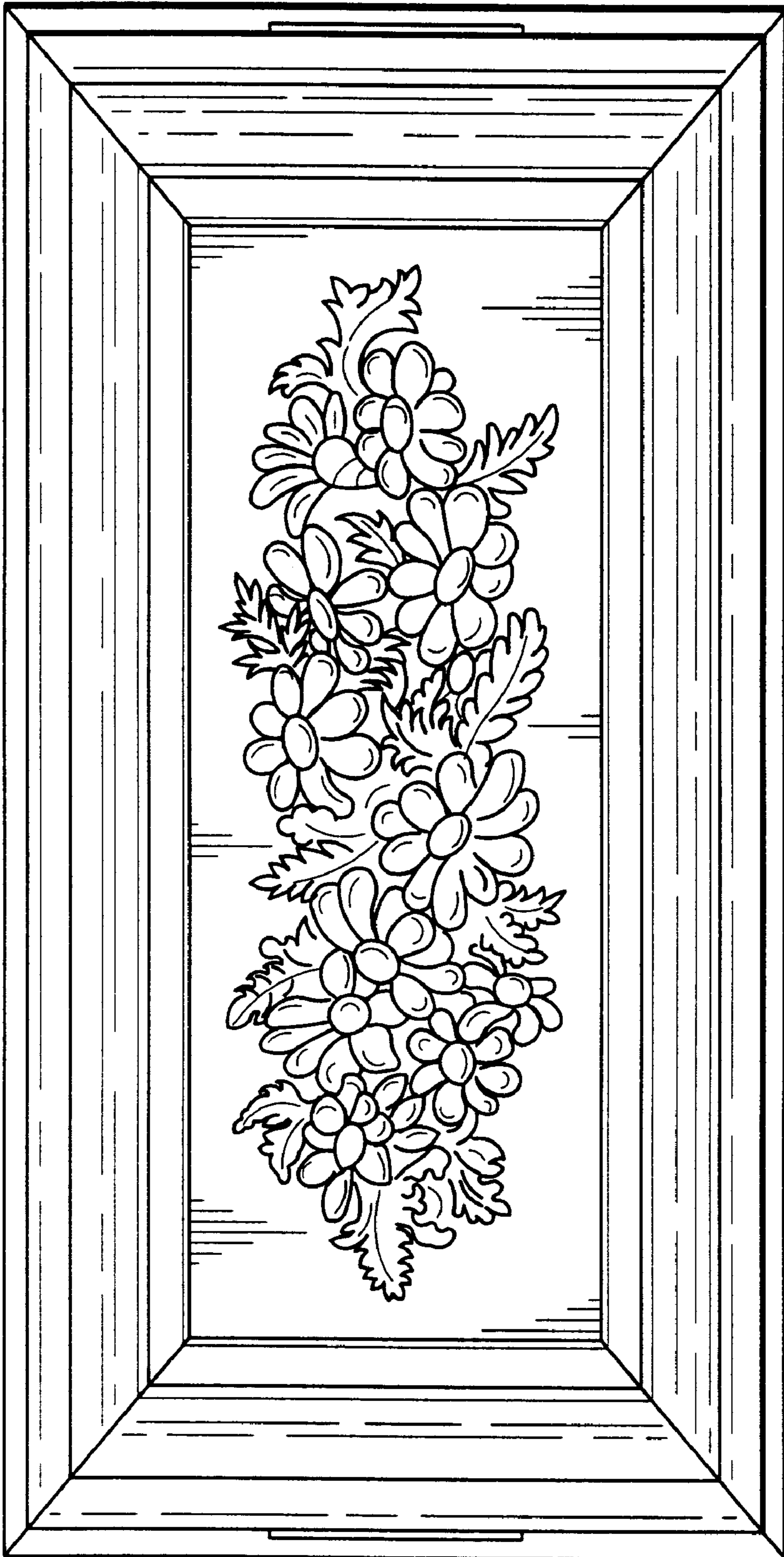


Fig. 3



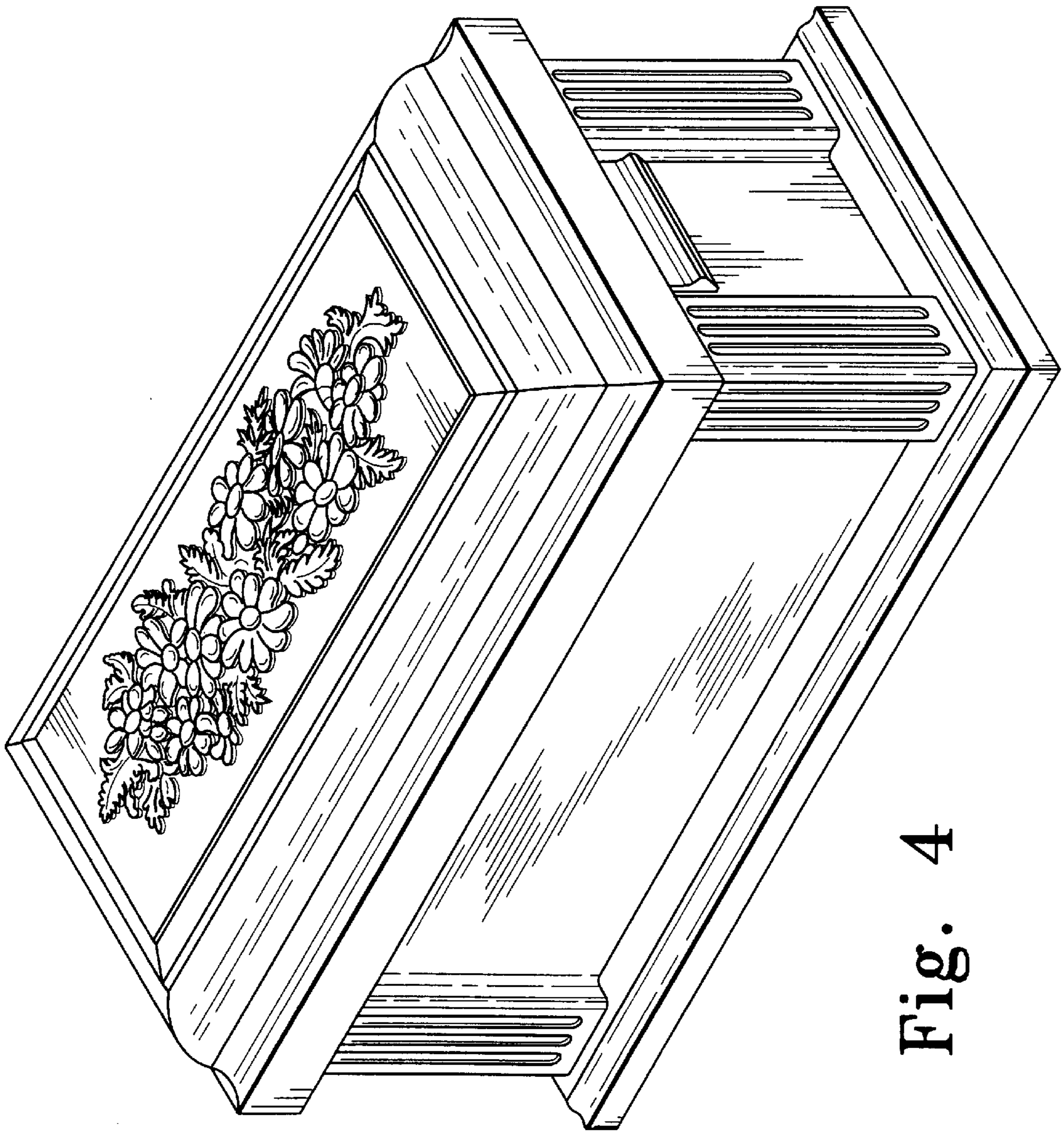


Fig. 4