



US00D439019S

(12) **United States Design Patent**  
**Motosko**

(10) **Patent No.:** **US D439,019 S**

(45) **Date of Patent:** **\*\* Mar. 13, 2001**

(54) **COSMETICS CONTAINER**

5,161,556 \* 11/1992 Audebourg et al. .... 132/296

(76) Inventor: **Stephen J. Motosko**, 132 Sand Dollar  
La., Sarasota, FL (US) 34242

\* cited by examiner

(\*\*) Term: **14 Years**

*Primary Examiner*—Ted Shooman

*Assistant Examiner*—C. Tuttle

(74) *Attorney, Agent, or Firm*—Charles J. Prescott

(21) Appl. No.: **29/121,039**

(57) **CLAIM**

(22) Filed: **Mar. 30, 2000**

The ornamental design for a cosmetics container, as shown and described.

(51) **LOC (7) Cl.** ..... **28-03**

(52) **U.S. Cl.** ..... **D28/83; D28/76**

(58) **Field of Search** ..... D28/76-84; D9/420,  
D9/423; D3/205, 273-275, 294, 295, 901;  
D21/483; 132/283-307, 314-316; 206/235,  
581, 823; 220/DIG. 26

**DESCRIPTION**

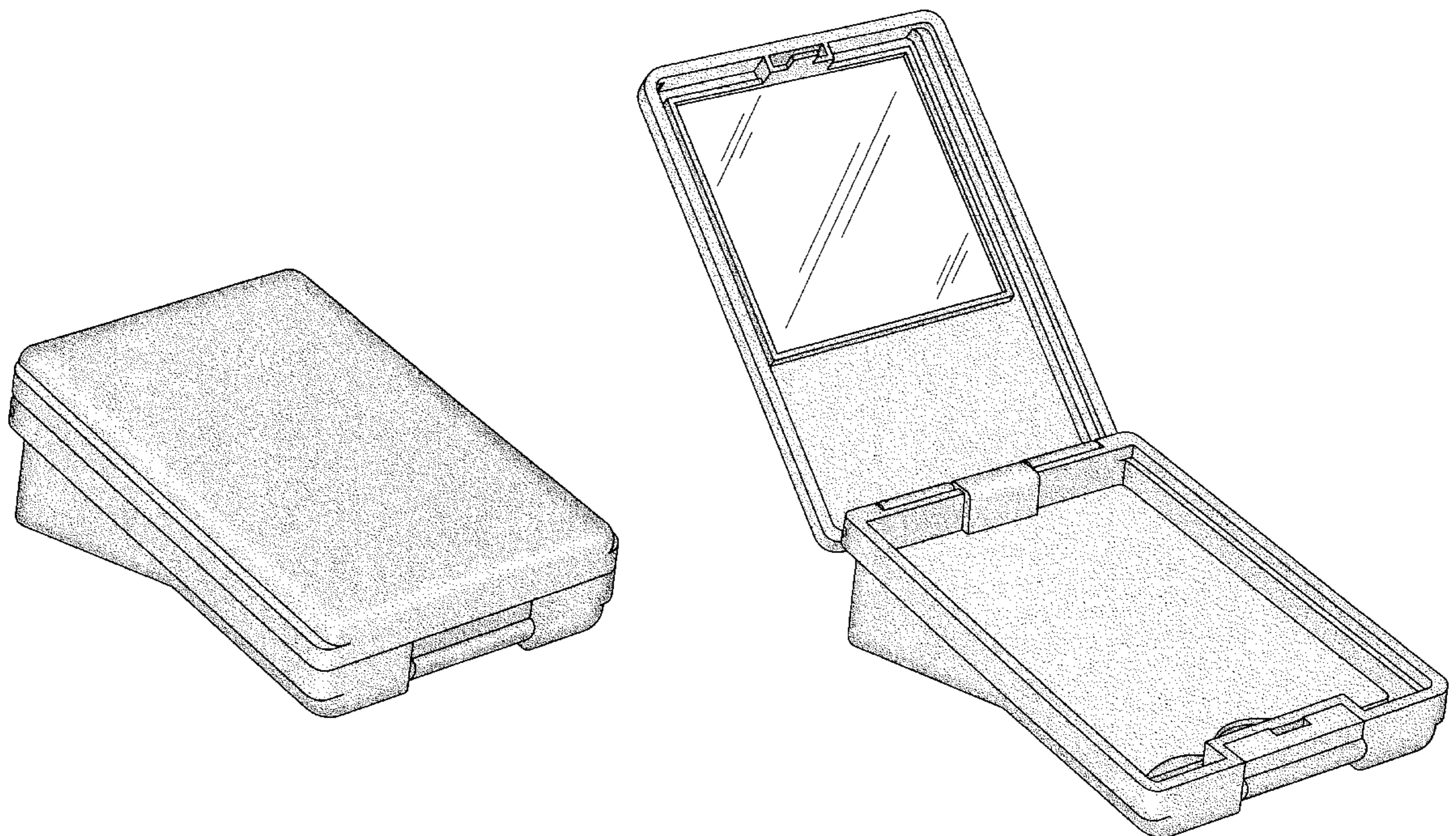
FIG. 1 is a perspective view of my cosmetics container in the closed position;  
FIG. 2 is a front elevation view of FIG. 1;  
FIG. 3 is a rear elevation view of FIG. 1;  
FIG. 4 is a top plan view of FIG. 1;  
FIG. 5 is a bottom plan view of FIG. 1;  
FIG. 6 is right side elevation view of FIG. 1, the left side elevation view being a mirror image;  
FIG. 7 is a perspective view of the design with the lid in the open position; and,  
FIG. 8 is a perspective view of the design with the lid and cosmetics cover in the open position.

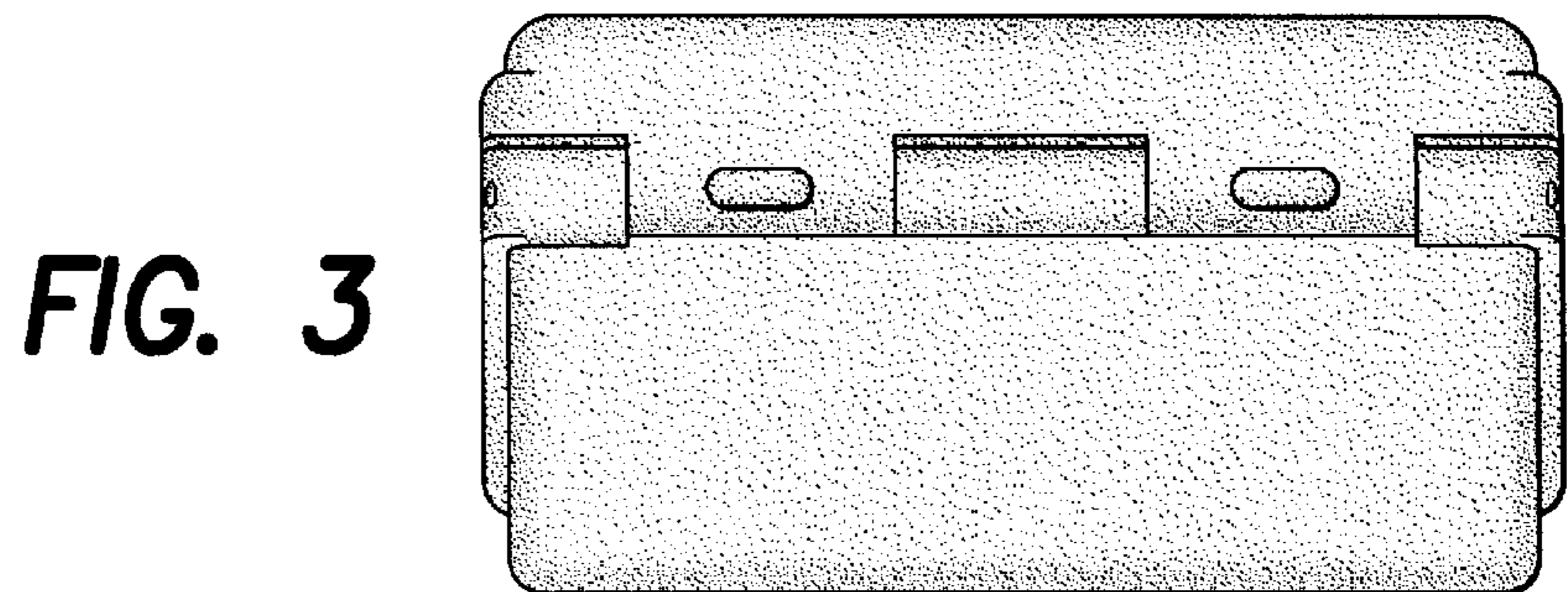
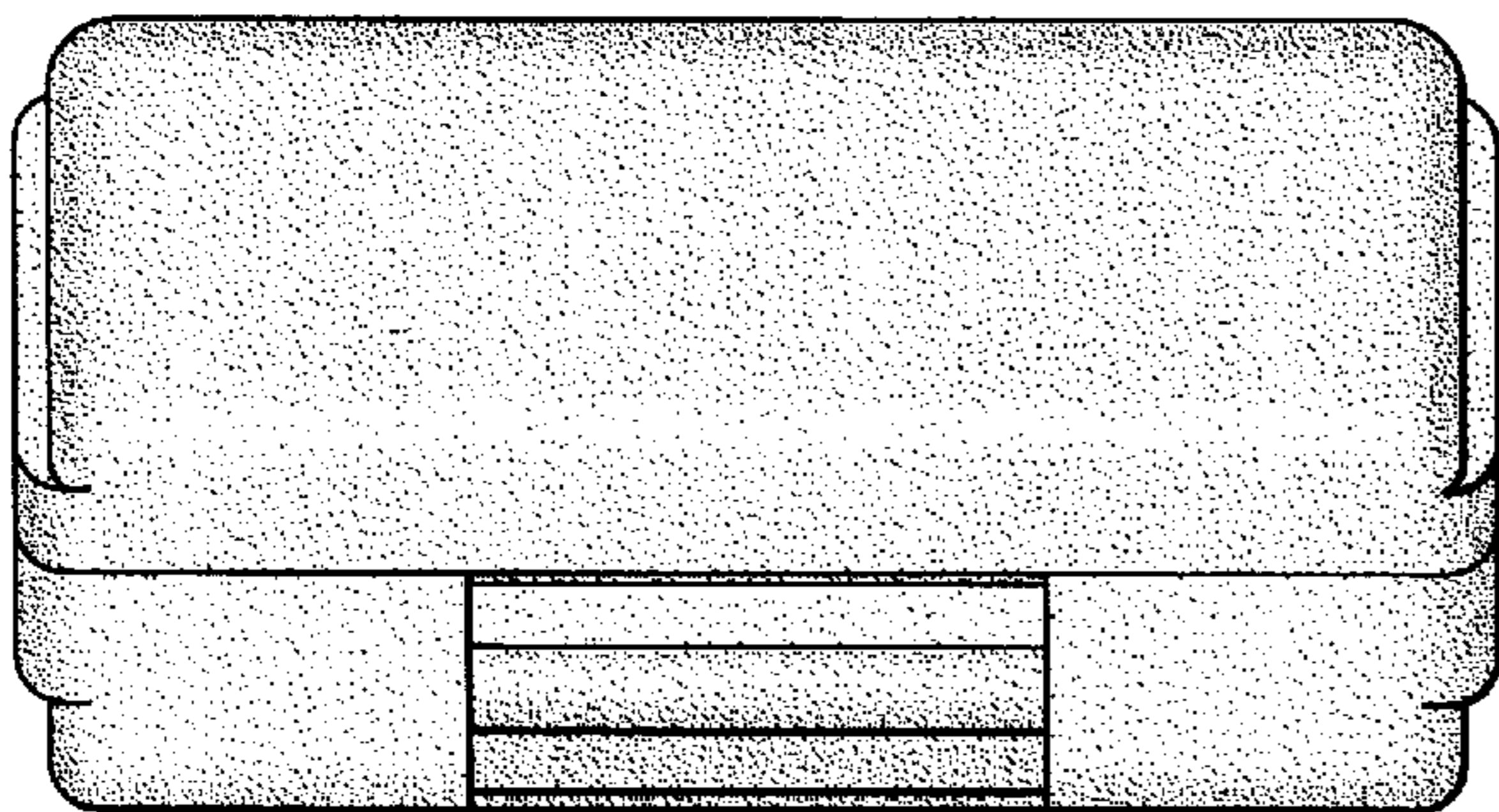
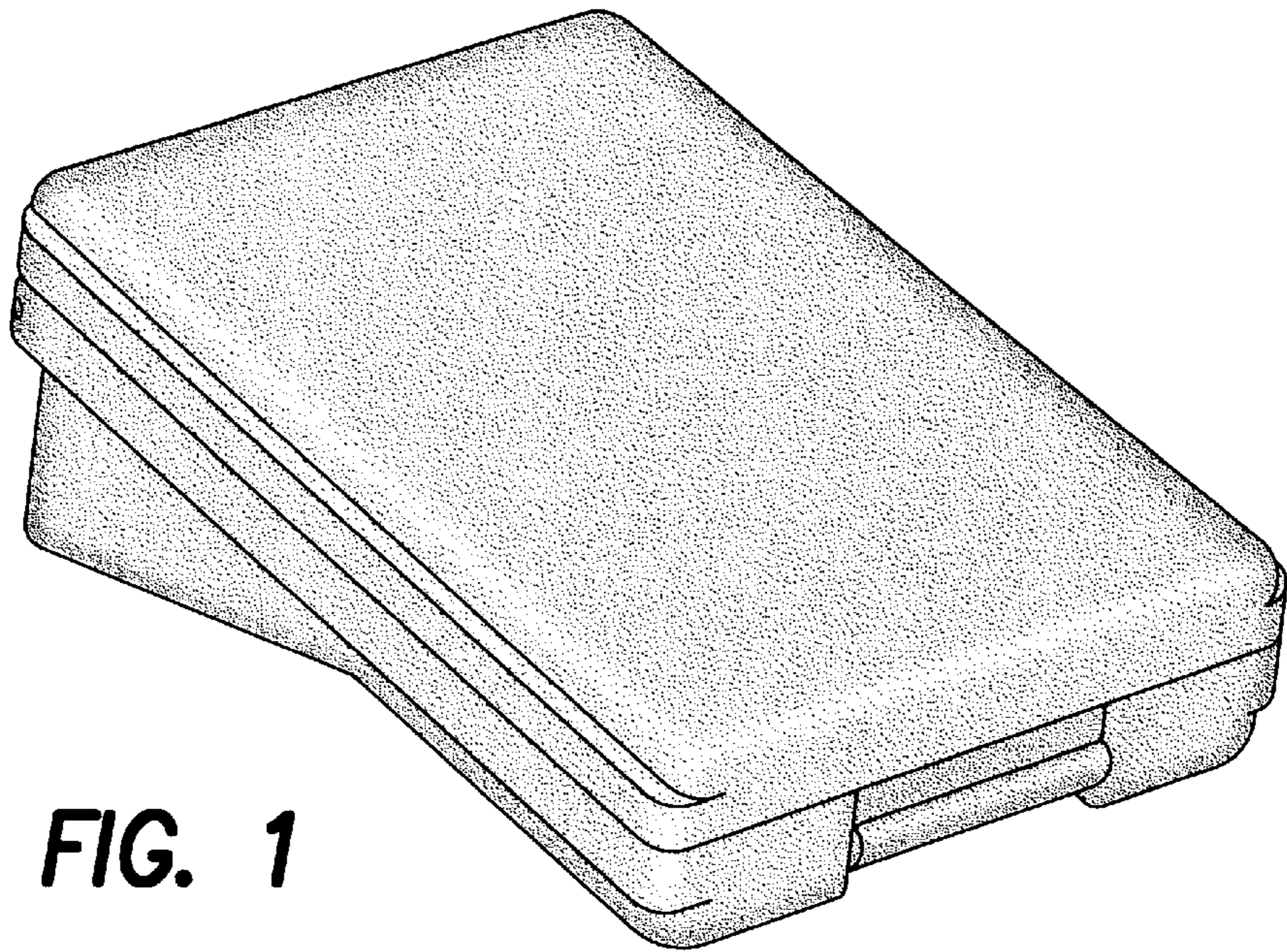
(56) **References Cited**

**U.S. PATENT DOCUMENTS**

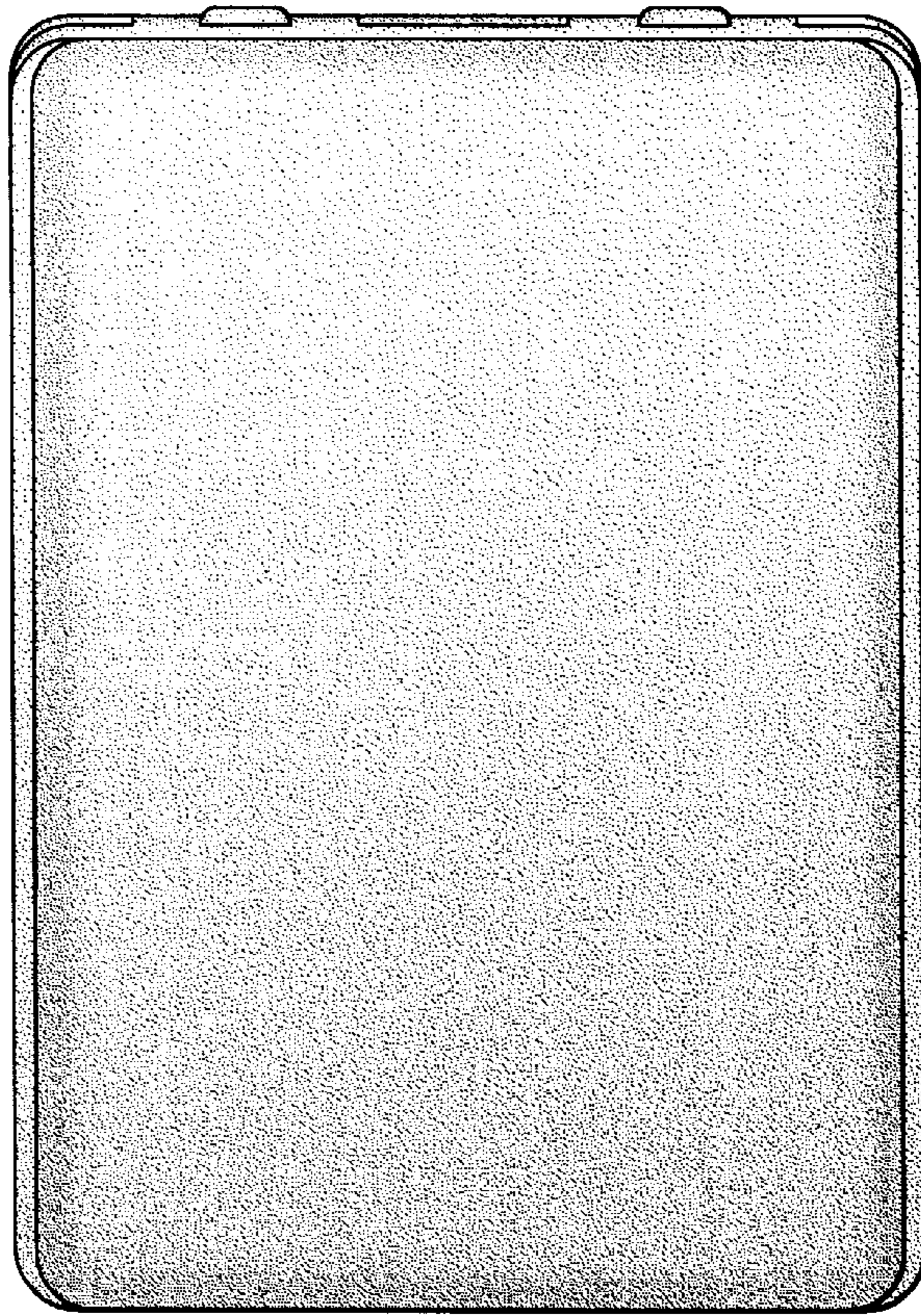
- D. 245,205 \* 7/1977 Santurbane ..... D28/76
- D. 305,281 \* 1/1990 Chen ..... D28/76
- D. 332,328 \* 1/1993 Lombardi, Jr. .... D28/83
- D. 337,658 \* 7/1993 Kaposvari ..... D3/294
- 1,879,407 \* 9/1932 Morenus ..... 132/294
- 2,497,692 \* 2/1950 Schulfer ..... 132/294 X
- 4,244,632 \* 1/1981 Molinari ..... D3/274 X

**1 Claim, 4 Drawing Sheets**

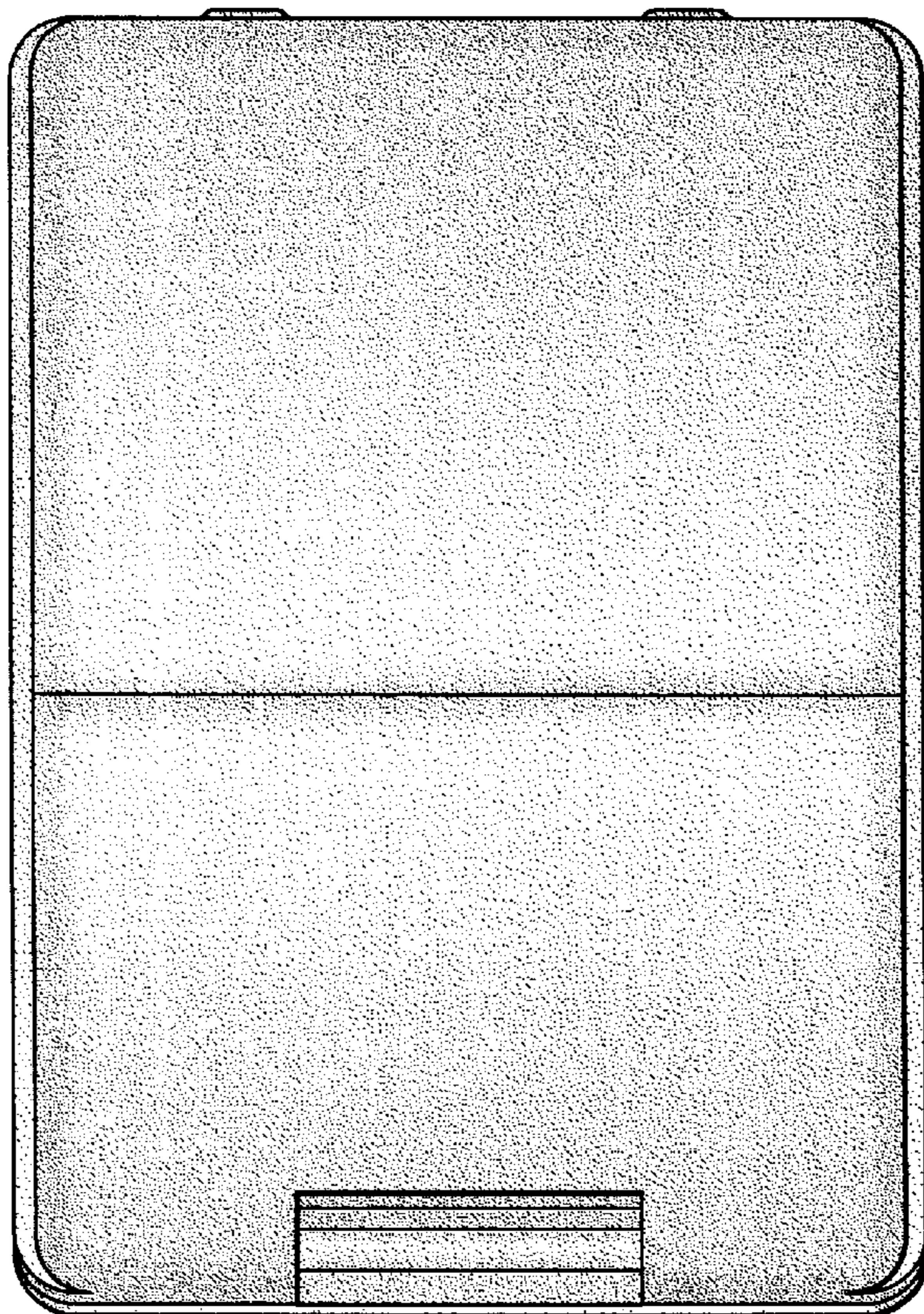


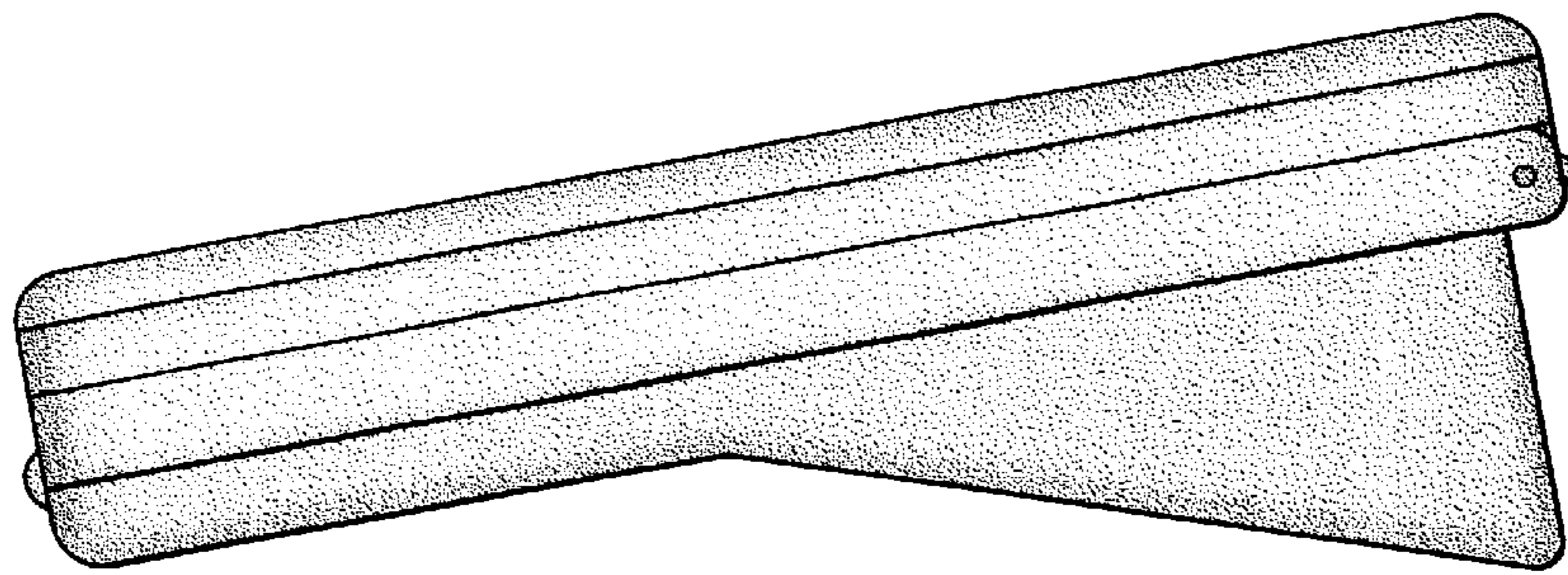


**FIG. 4**

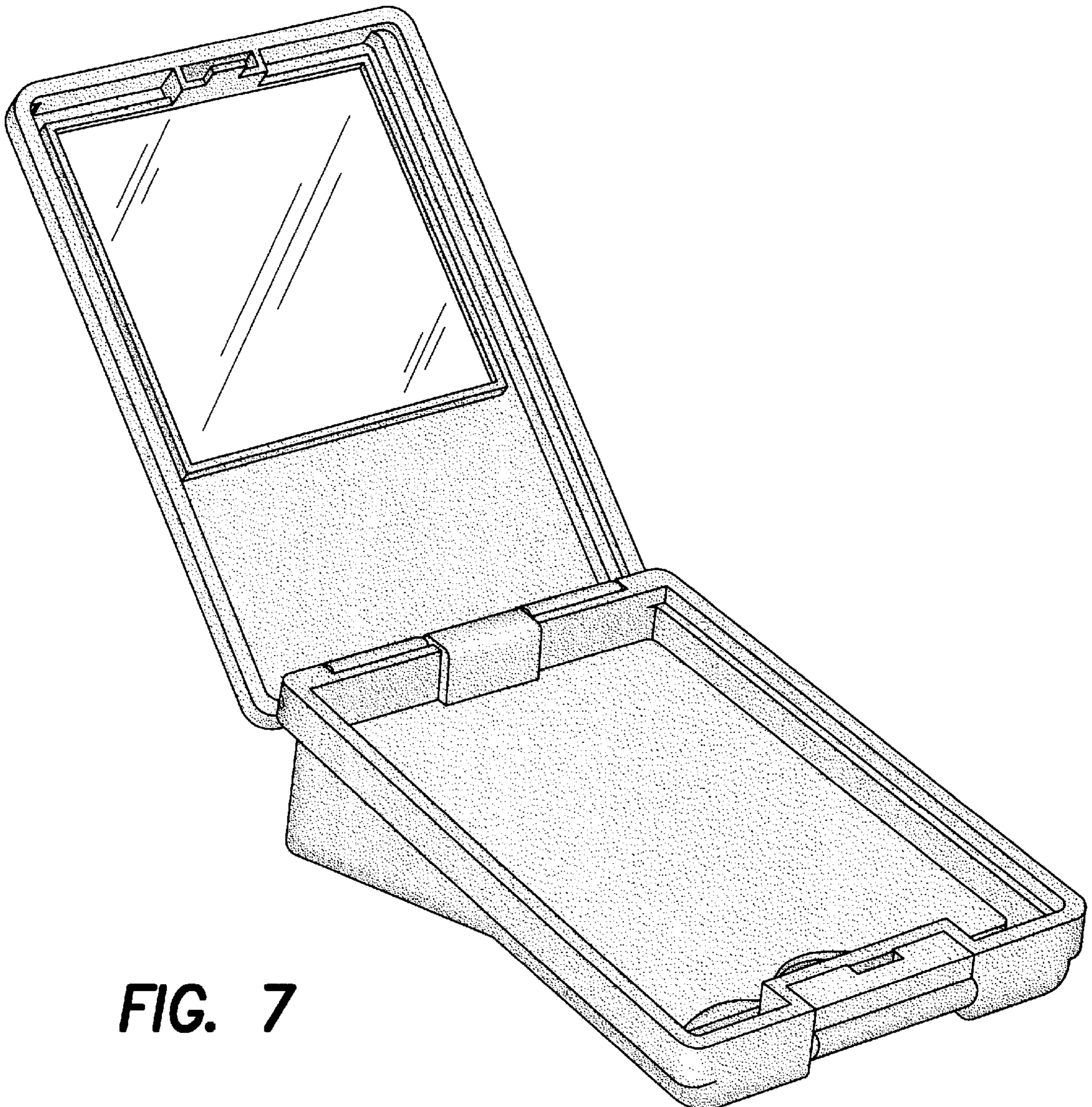


**FIG. 5**

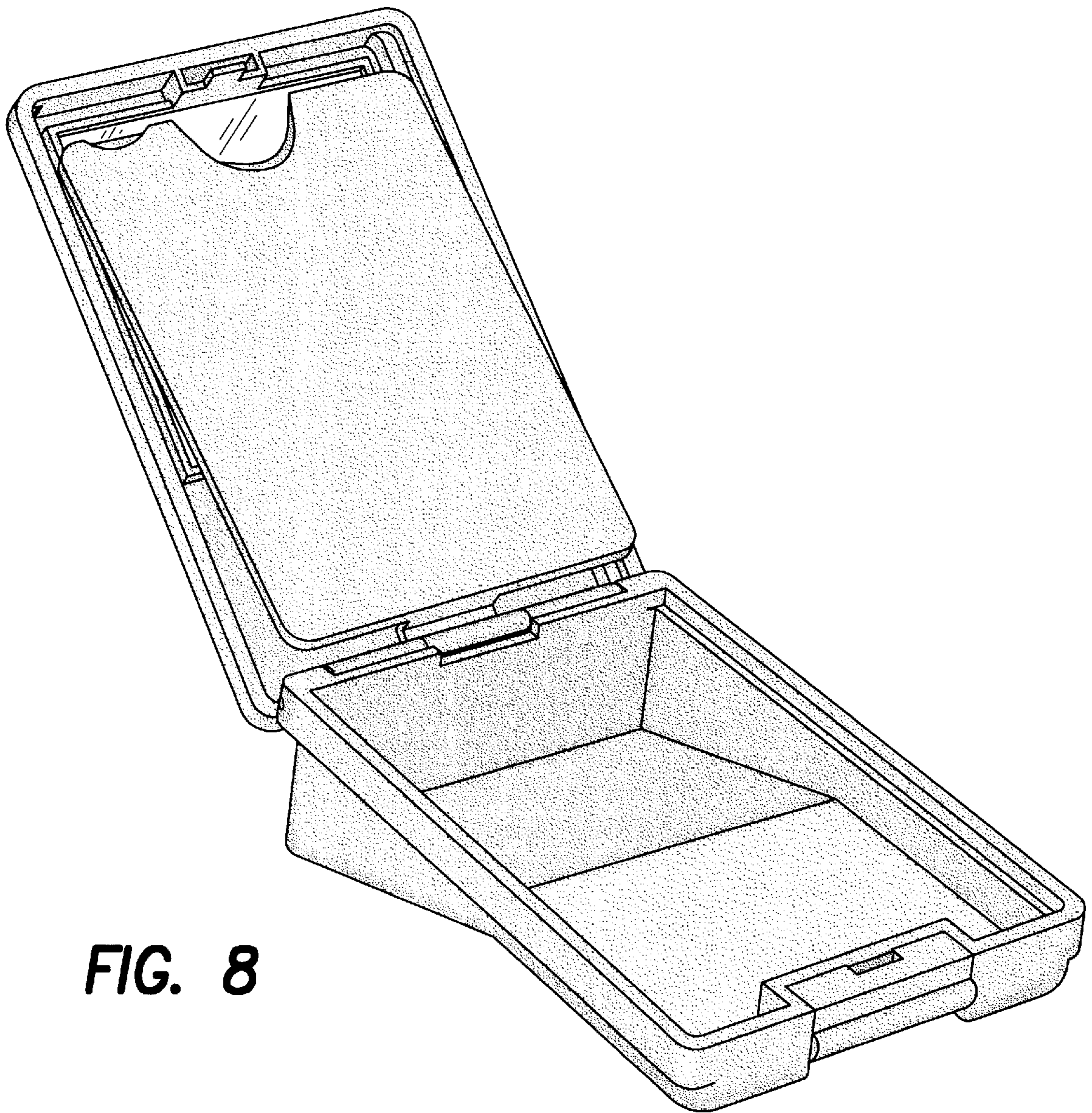




**FIG. 6**



**FIG. 7**



**FIG. 8**