



US00D439018S

(12) **United States Design Patent**  
**Fang**

(10) **Patent No.:** **US D439,018 S**

(45) **Date of Patent:** **\*\* Mar. 13, 2001**

(54) **LIPSTICK CASE**

(76) Inventor: **Ming-Tung Fang**, No. 41, Lane 446,  
Sec. 1, I-An Road, Tainan (TW)

(\*\*) Term: **14 Years**

(21) Appl. No.: **29/125,227**

(22) Filed: **Jun. 21, 2000**

(51) **LOC (7) Cl.** ..... **28-03**

(52) **U.S. Cl.** ..... **D28/77; D28/85; D28/86**

(58) **Field of Search** ..... D28/76-91; 132/286,  
132/293, 294, 295, 297, 300, 314, 317,  
318; 206/235, 581, 823, 385; 401/55, 59-62,  
85-89, 98, 29, 31, 34, 35; 220/503, 506,  
23.88

(56) **References Cited**

**U.S. PATENT DOCUMENTS**

- D. 216,351 \* 12/1969 Mitchell ..... D28/77
- D. 275,133 \* 8/1984 Davey ..... D28/77
- D. 364,248 \* 11/1995 Su ..... D28/86
- 3,441,033 \* 4/1969 Flax ..... 132/295
- 3,498,471 \* 3/1970 Dirx ..... 211/131.1
- 4,807,773 \* 2/1989 Tsai ..... 220/4.27
- 4,815,483 \* 3/1989 Du Grenier et al. .... 132/295
- 4,966,479 \* 10/1990 Idec et al. .... 132/320 X

5,135,112 \* 8/1992 Kamen et al. .... 206/581

\* cited by examiner

*Primary Examiner*—Catherine Tuttle

(74) *Attorney, Agent, or Firm*—Rosenberg, Klein & Lee

(57) **CLAIM**

The ornamental design for a lipstick case, as shown and described.

**DESCRIPTION**

FIG. 1 is an opened perspective view of a lipstick case showing my new design without the cover portion for ease of illustration;

FIG. 2 is a front elevational view thereof;

FIG. 3 is a rear elevational view thereof;

FIG. 4 is a left side elevational view thereof;

FIG. 5 is a right side elevational view thereof;

FIG. 6 is a top plan view thereof;

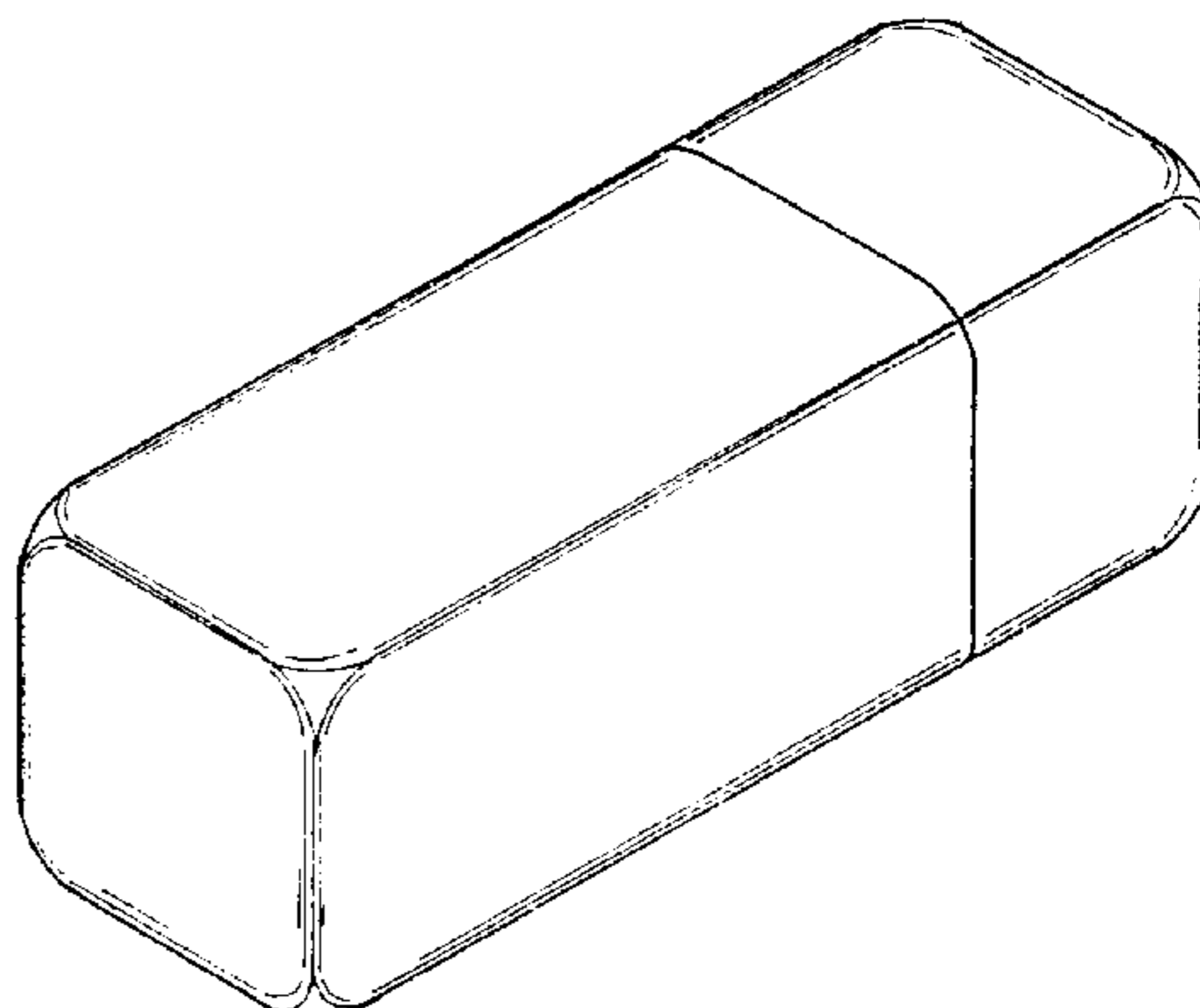
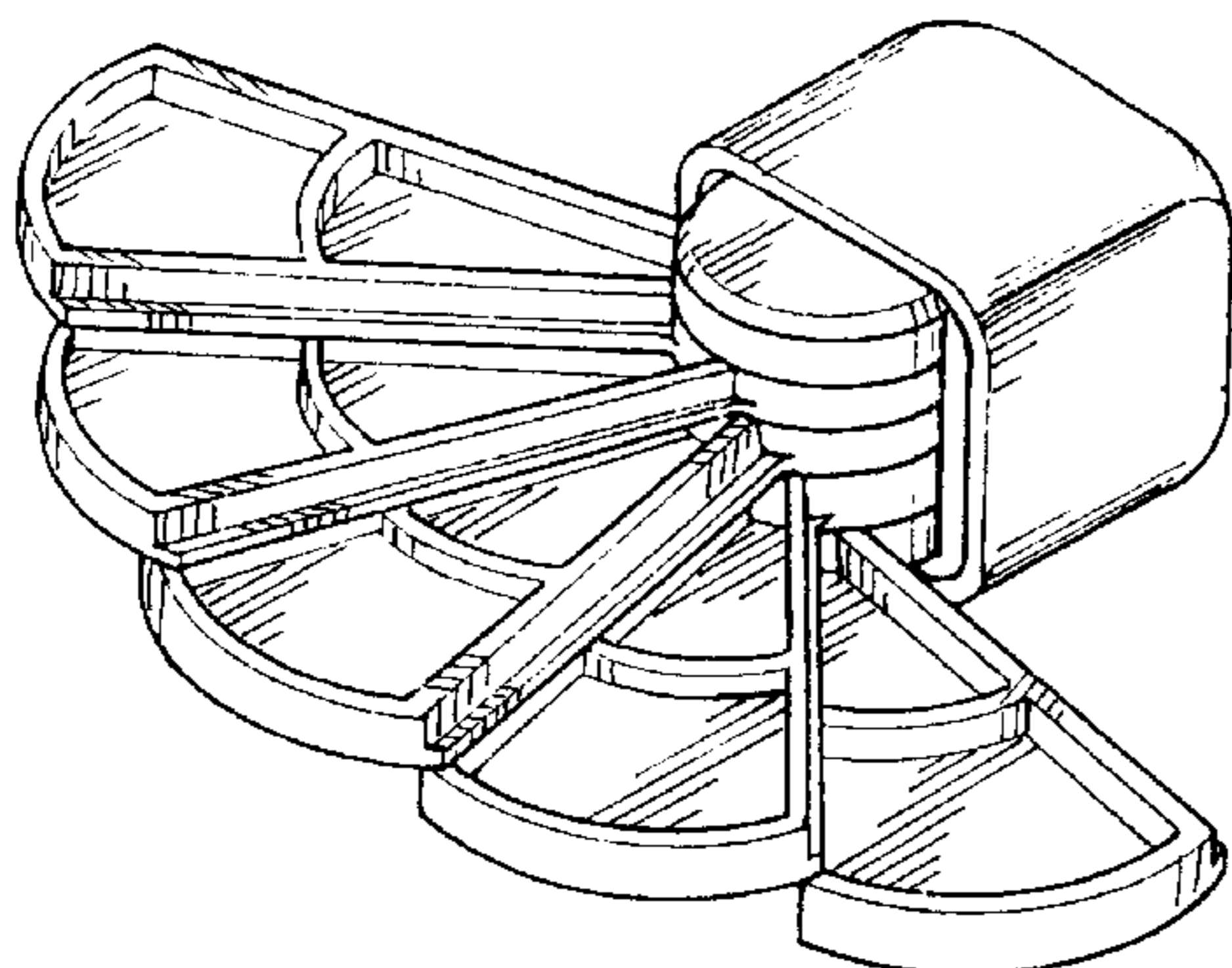
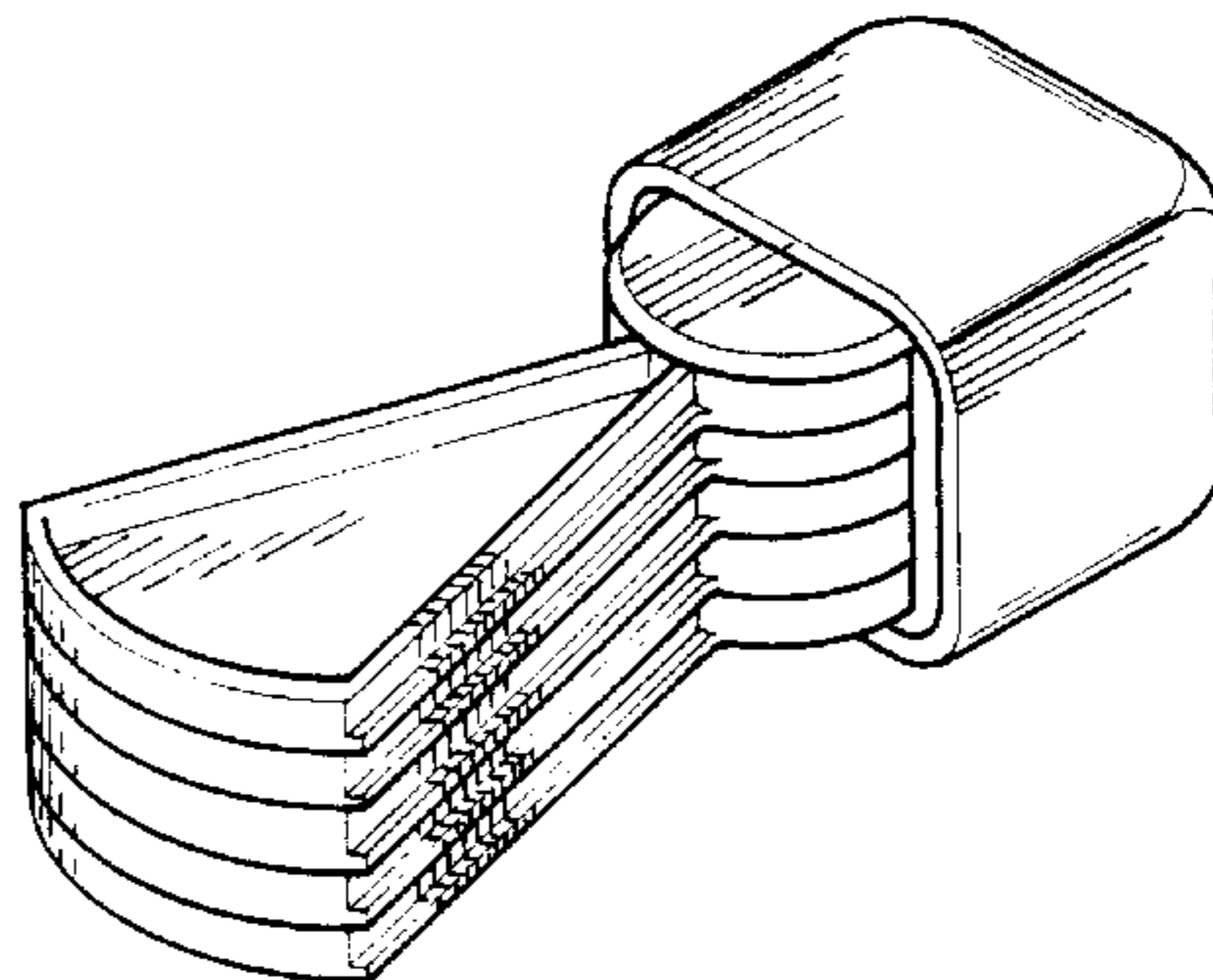
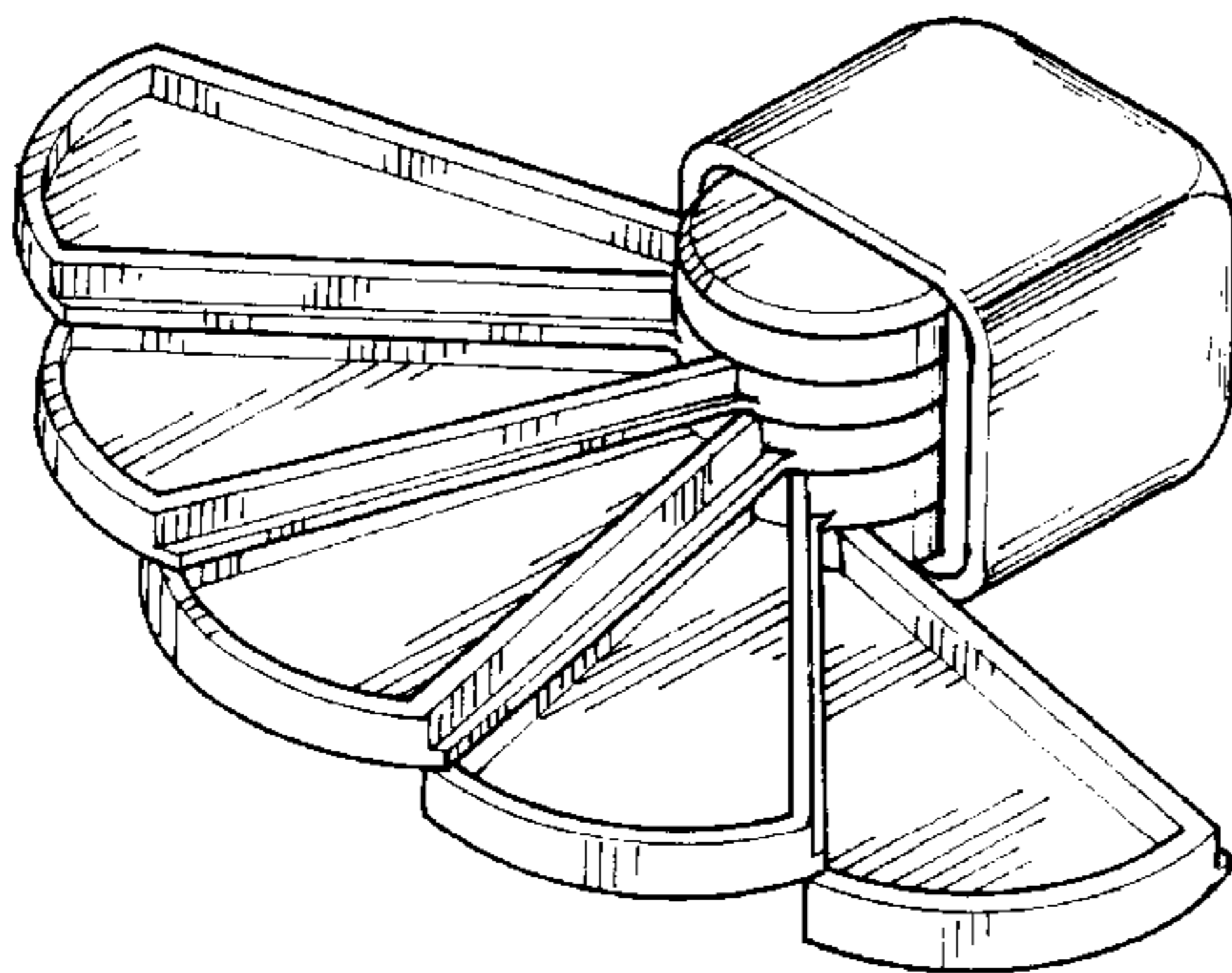
FIG. 7 is a bottom plan view thereof;

FIG. 8 is a perspective view showing the interior of the lipstick case assembled;

FIG. 9 is a perspective view of another embodiment of my design, it being understood that the other views thereof are identical to the first disclosed embodiment except for the compartment divisions shown; and,

FIG. 10 is a perspective view showing the exterior of the lipstick case assembled.

**1 Claim, 4 Drawing Sheets**



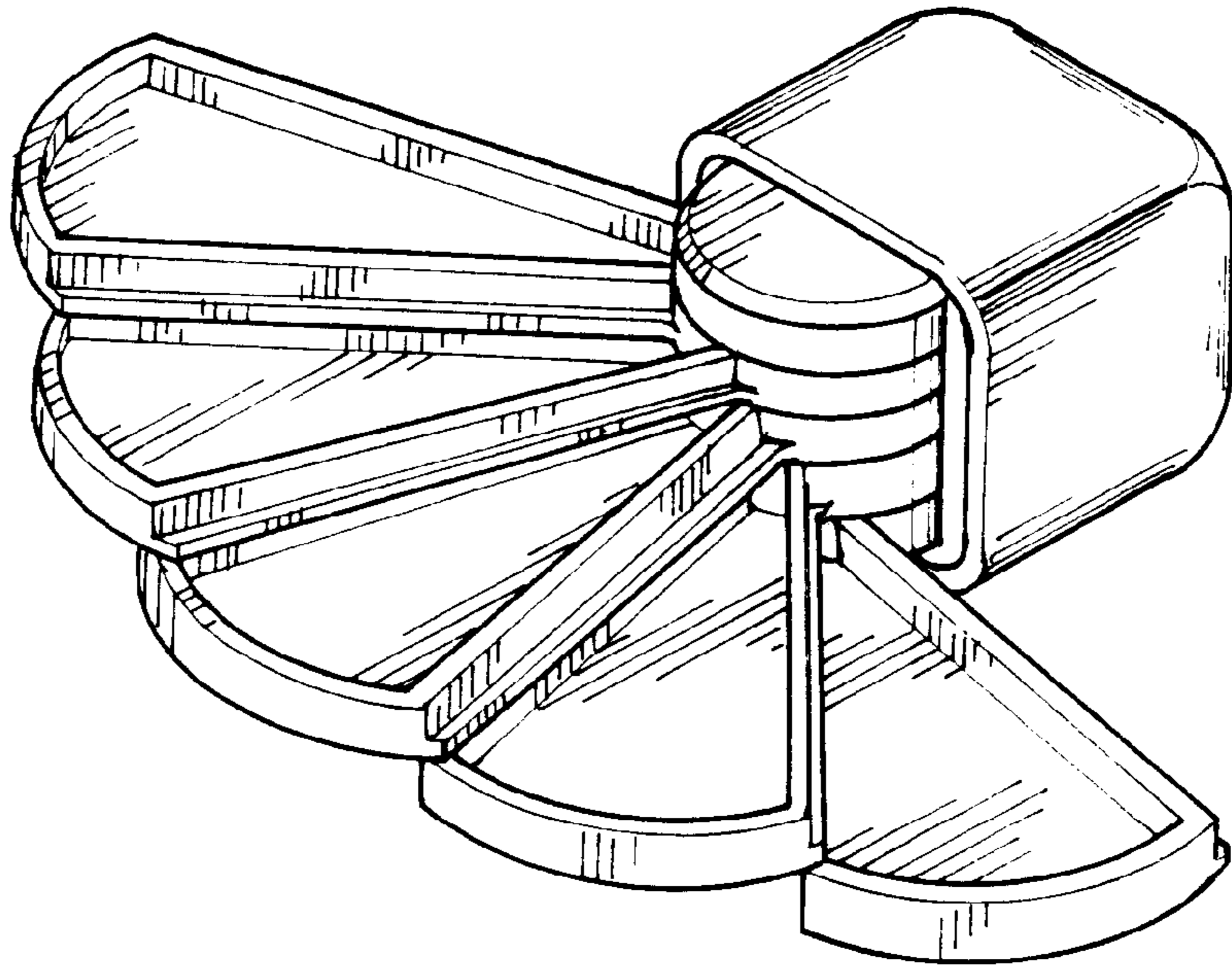


FIG. 1

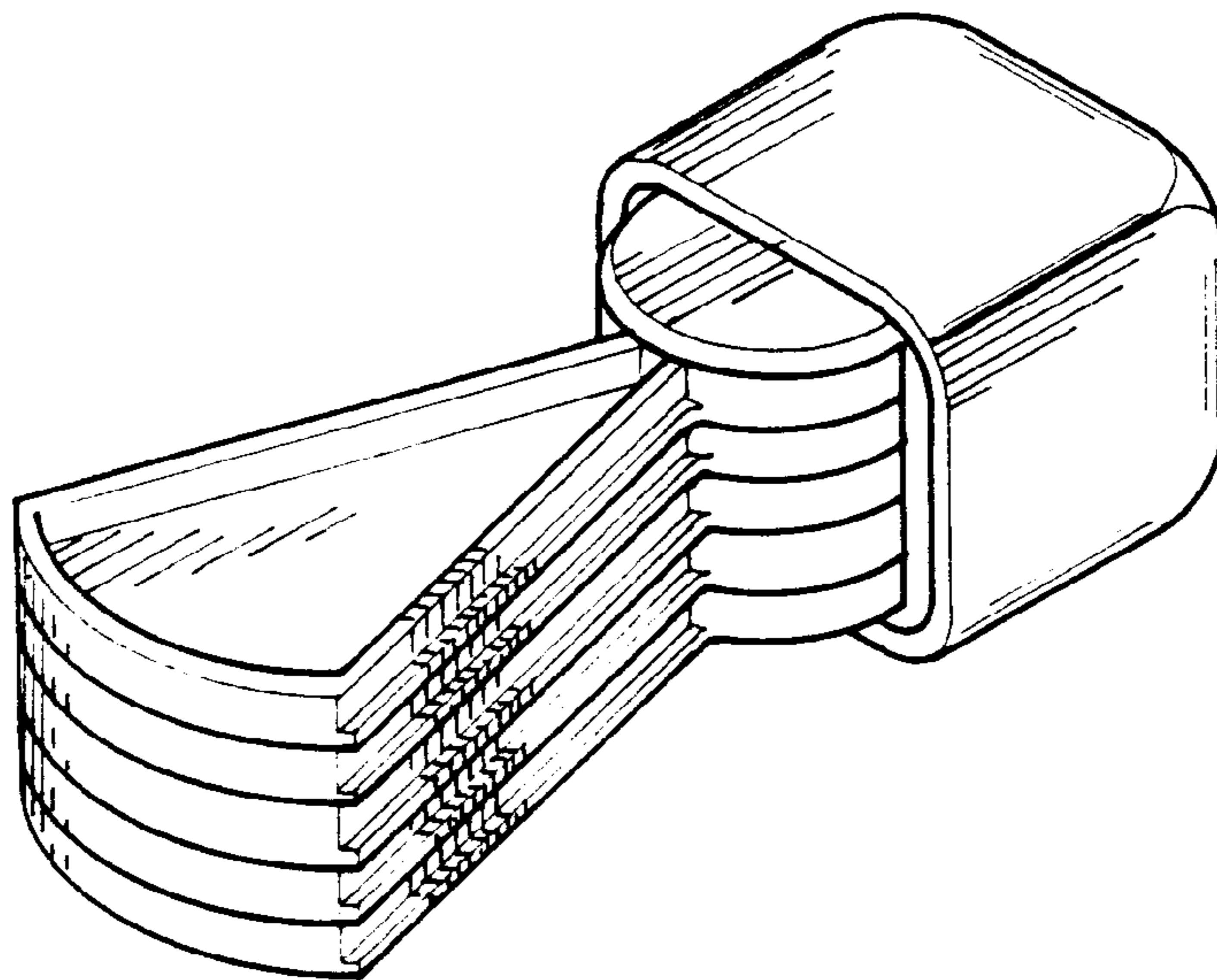


FIG. 8

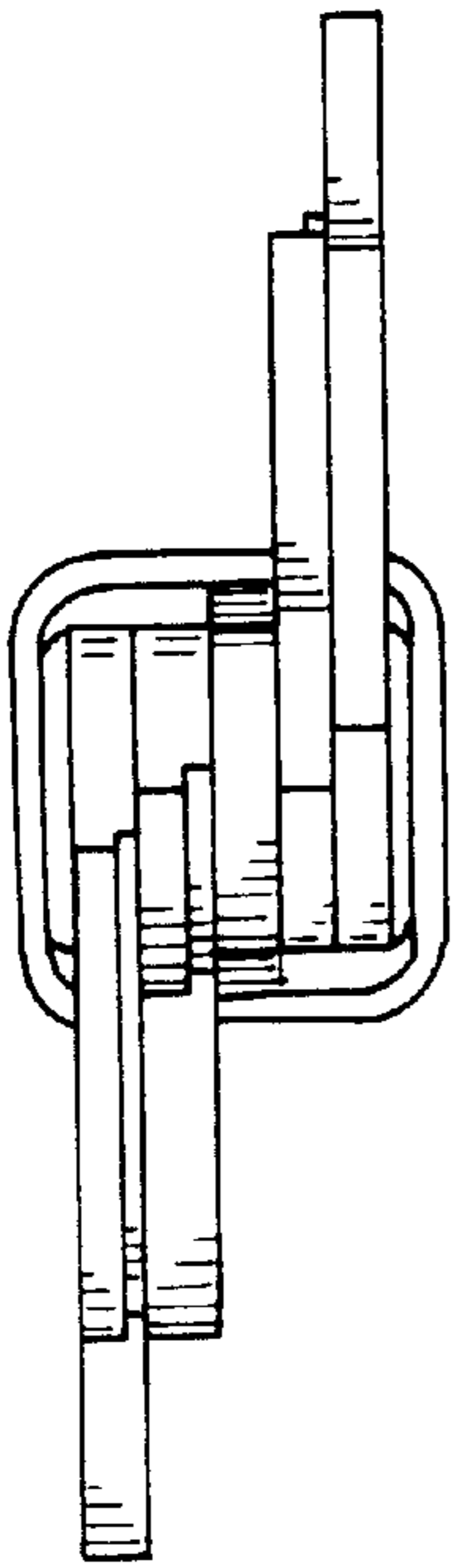


FIG. 2

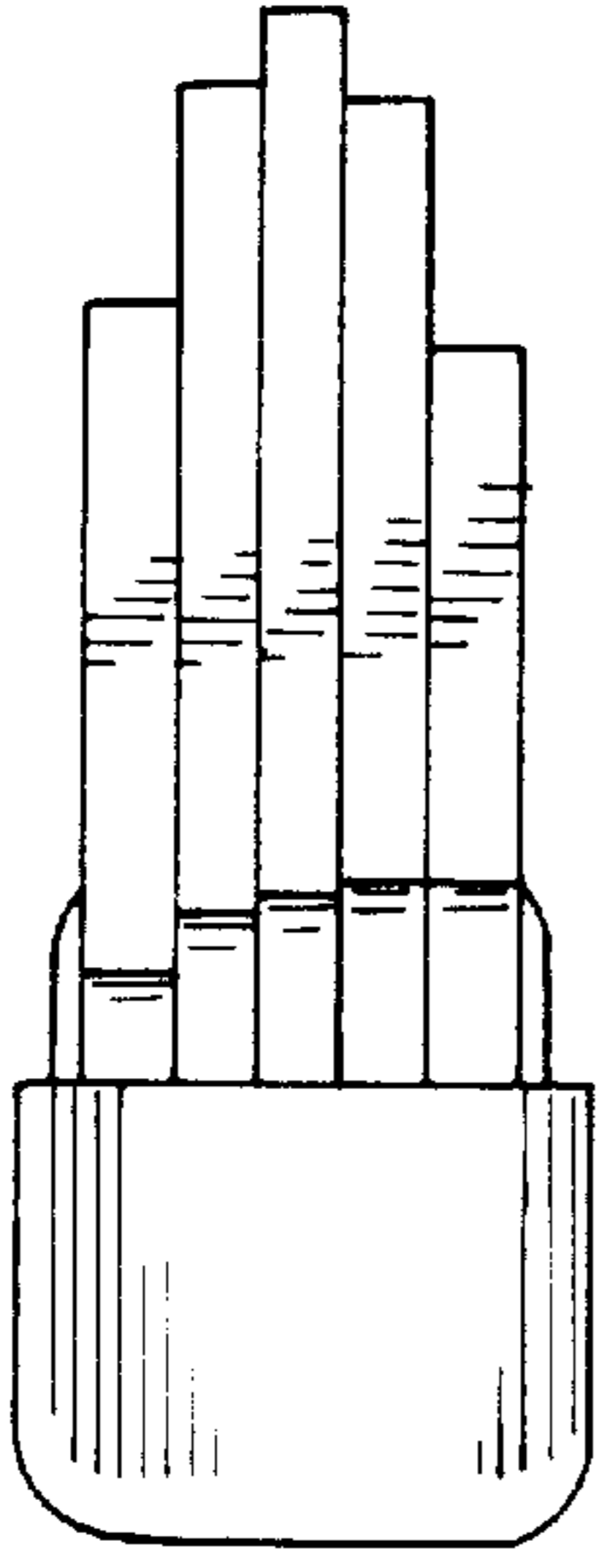


FIG. 4



FIG. 3

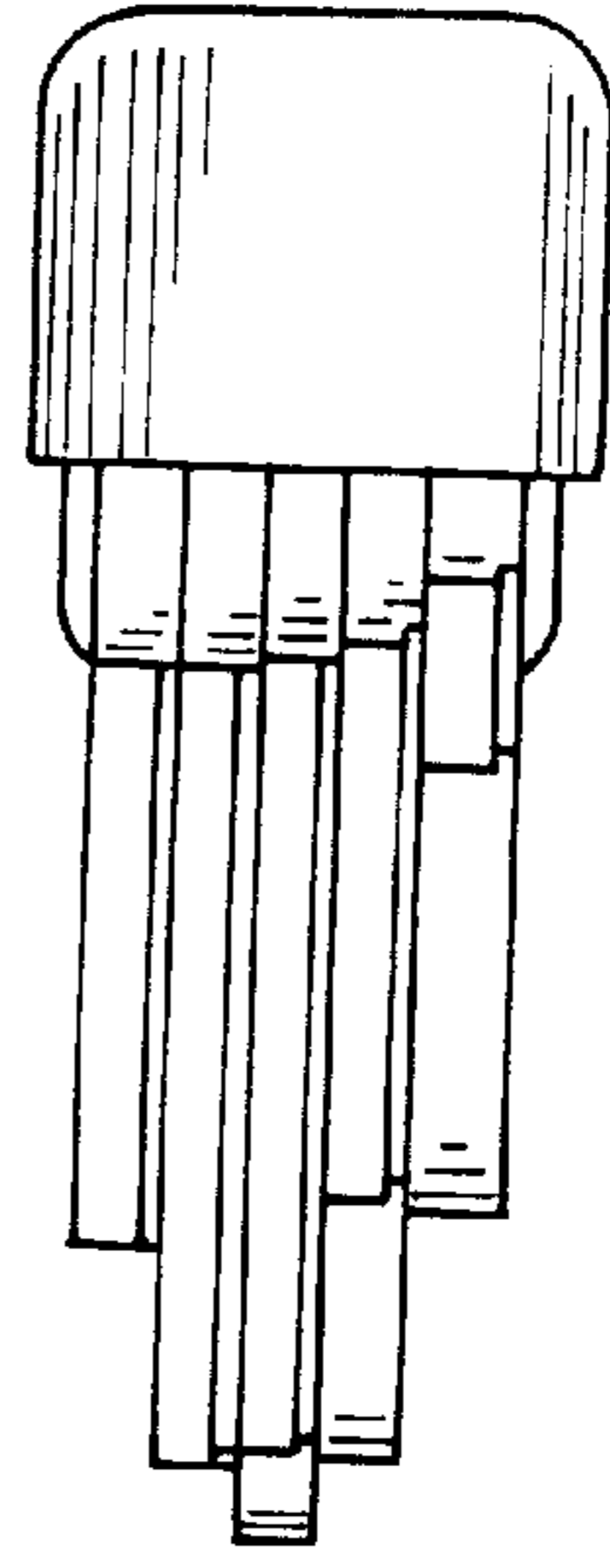


FIG. 5

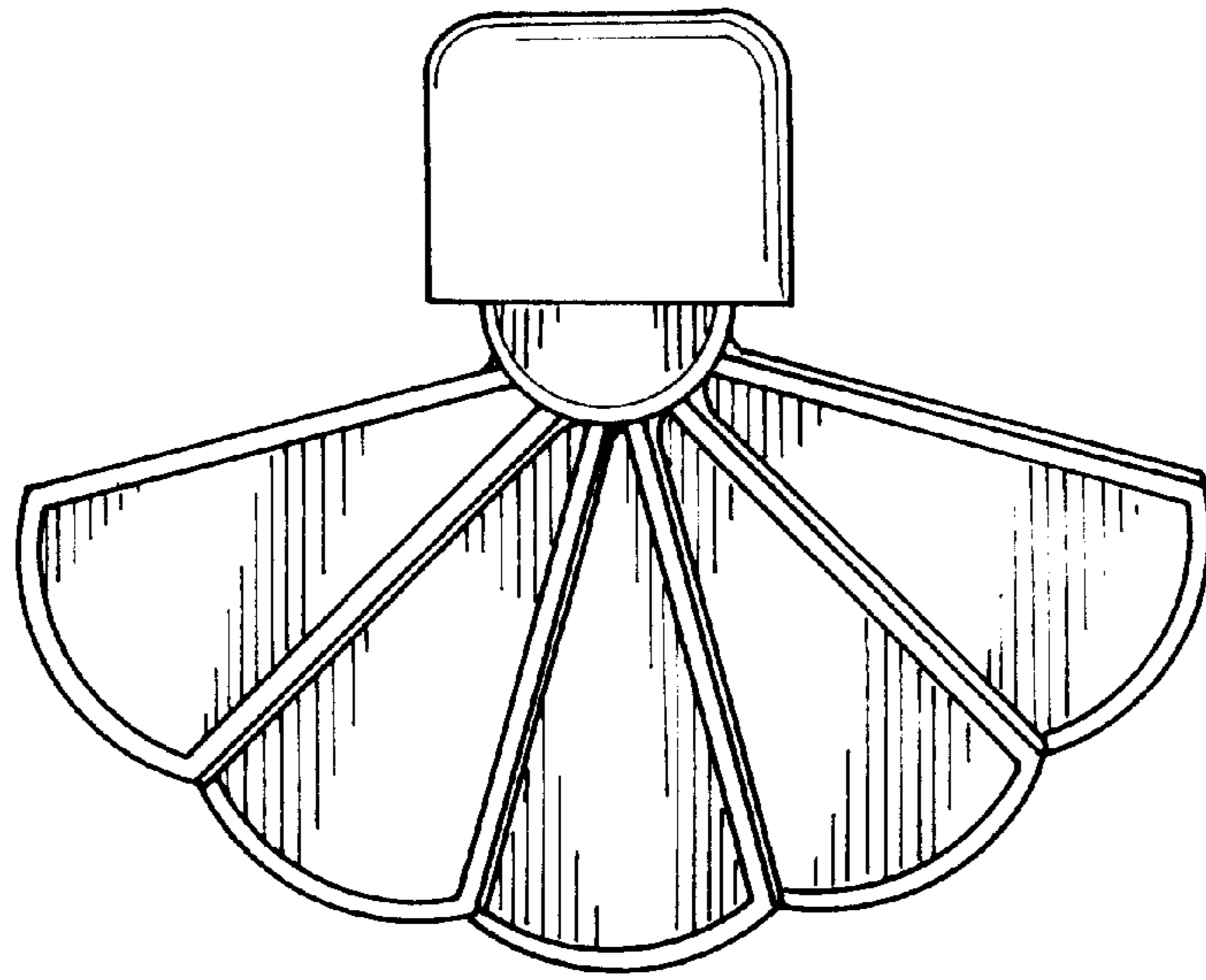


FIG. 6

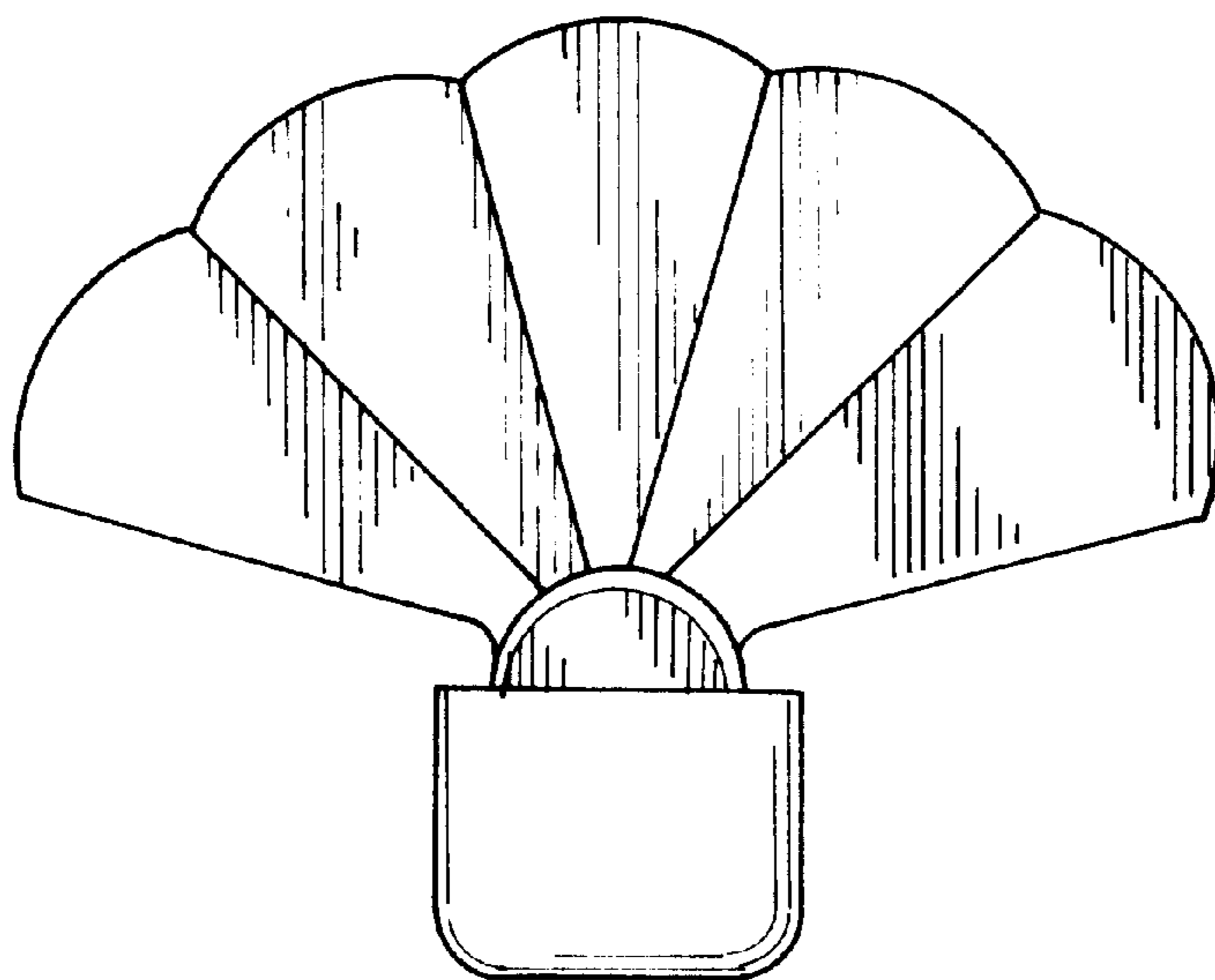


FIG. 7

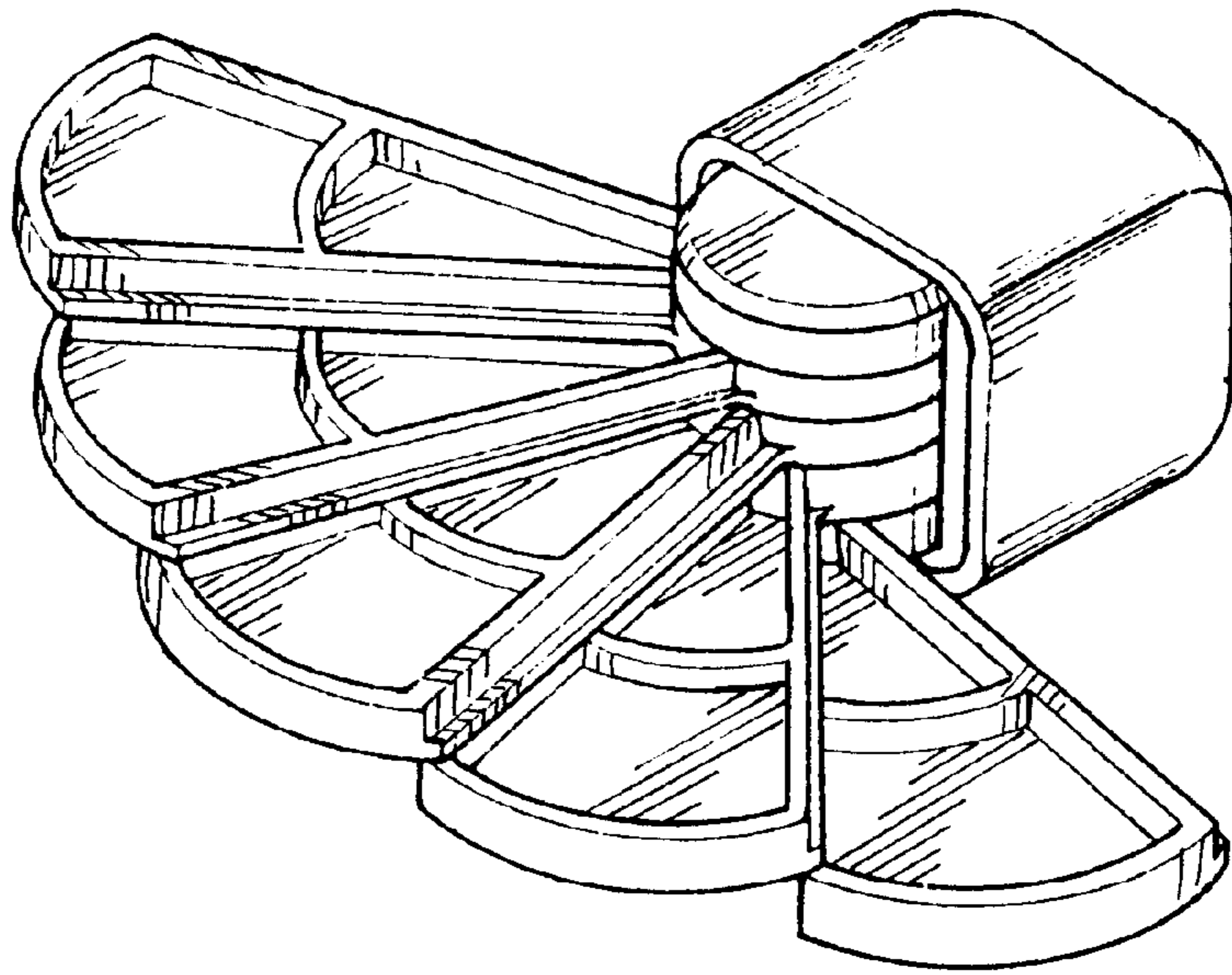


FIG. 9

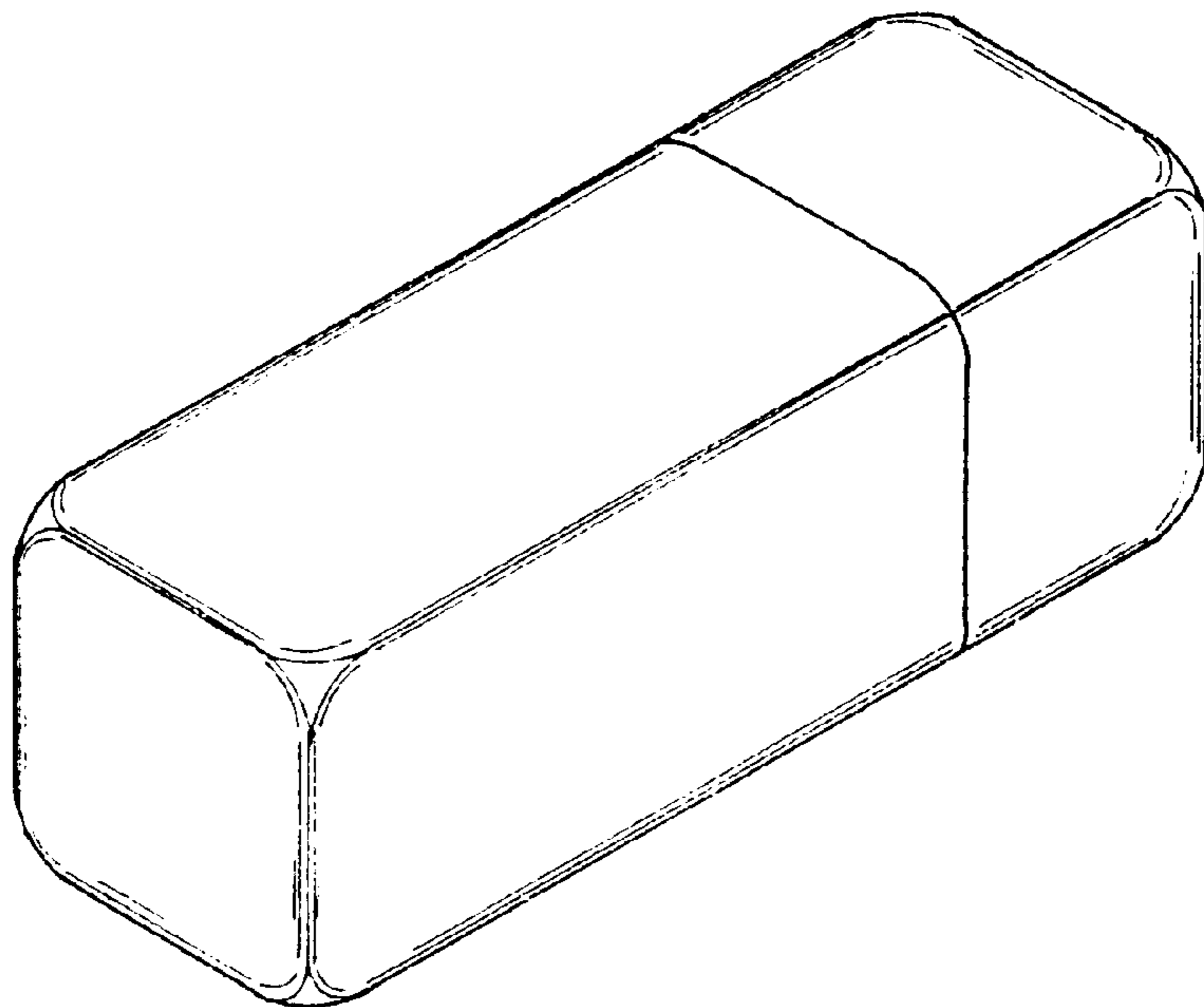


FIG. 10