



US00D439017S

(12) **United States Design Patent**
Fang

(10) **Patent No.:** **US D439,017 S**

(45) **Date of Patent:** **** Mar. 13, 2001**

(54) **LIPSTICK CASE**

(76) Inventor: **Ming-Tung Fang**, No. 41, Lane 446,
Sec. 1, I-An Road, Tainan (TW)

(**) Term: **14 Years**

(21) Appl. No.: **29/124,563**

(22) Filed: **Jun. 7, 2000**

(51) **LOC (7) Cl.** **28-03**

(52) **U.S. Cl.** **D28/77; D28/85; D28/86**

(58) **Field of Search** **D28/7, 76-91;**
132/286, 293, 294, 295, 297, 300, 314-318;
206/235, 385, 581, 823; 401/29, 31, 34,
35, 55, 59-62, 85-89; 220/23.88, 503,
506, 520-522, 4.26, 4.28, 4.29, 4.31, 4.32,
4.33, 4.34

(56) **References Cited**

U.S. PATENT DOCUMENTS

D. 301,771	*	6/1989	Bakic	D28/76
1,979,828	*	11/1934	Fullmer	401/60
2,054,826	*	9/1936	Martin	401/59
2,294,656	*	9/1942	Feib	132/316
2,417,155	*	3/1947	De Swart	401/59
2,628,624	*	2/1953	De Mario	132/318 X
4,744,376	*	5/1988	Verducci	132/297
4,804,286	*	2/1989	Jarrett et al.	401/59

4,815,483 * 3/1989 Du Grenier et al. 132/295

4,966,479 * 10/1990 Idec et al. 132/320 X

5,115,916 * 5/1992 Beasley et al. 206/581

* cited by examiner

Primary Examiner—Catherine Tuttle

(74) *Attorney, Agent, or Firm*—Rosenberg, Klein & Lee

(57) **CLAIM**

The ornamental design for a lipstick case, as shown and described.

DESCRIPTION

FIG. 1 is an opened perspective view of a lipstick case showing my new design without the cover portion for ease of illustration;

FIG. 2 is a front elevational view thereof;

FIG. 3 is a rear elevational view thereof;

FIG. 4 is a left side elevational view thereof;

FIG. 5 is a right side elevational view thereof;

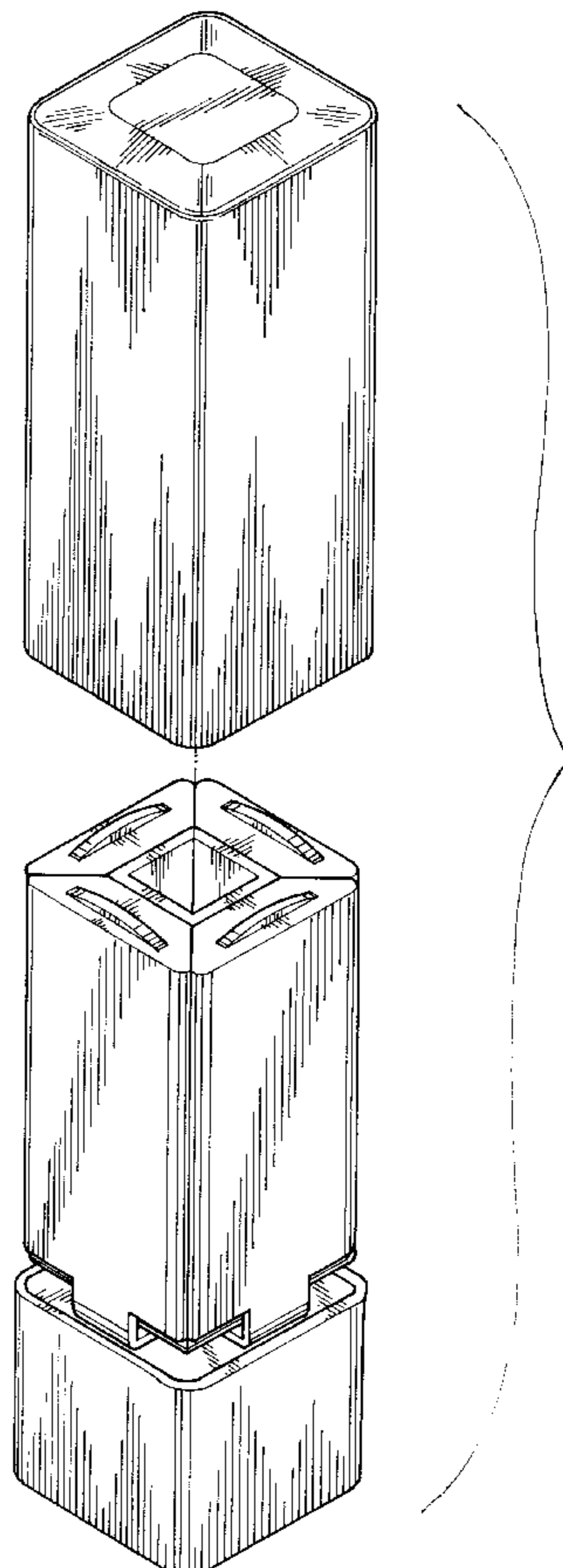
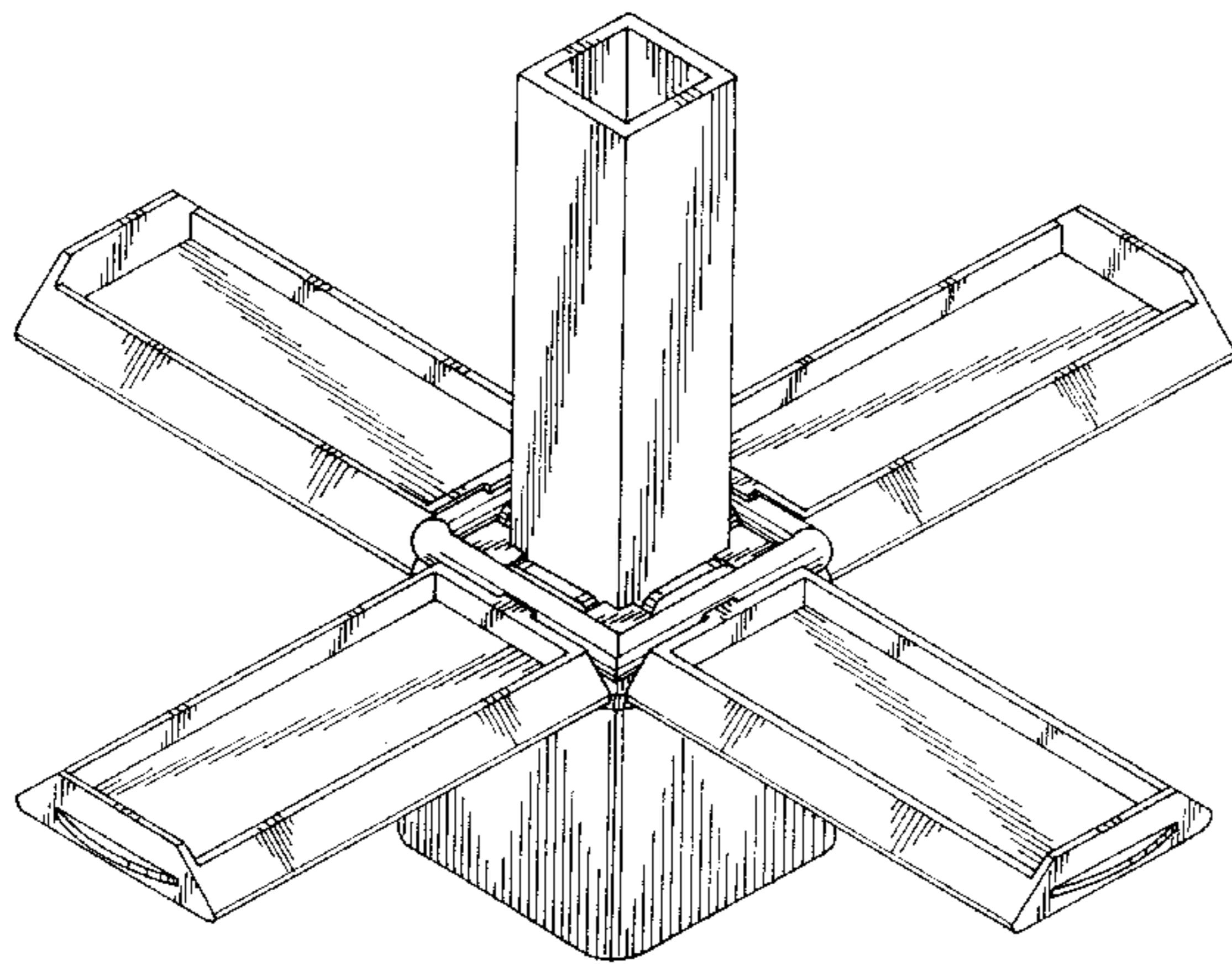
FIG. 6 is a top plan view thereof;

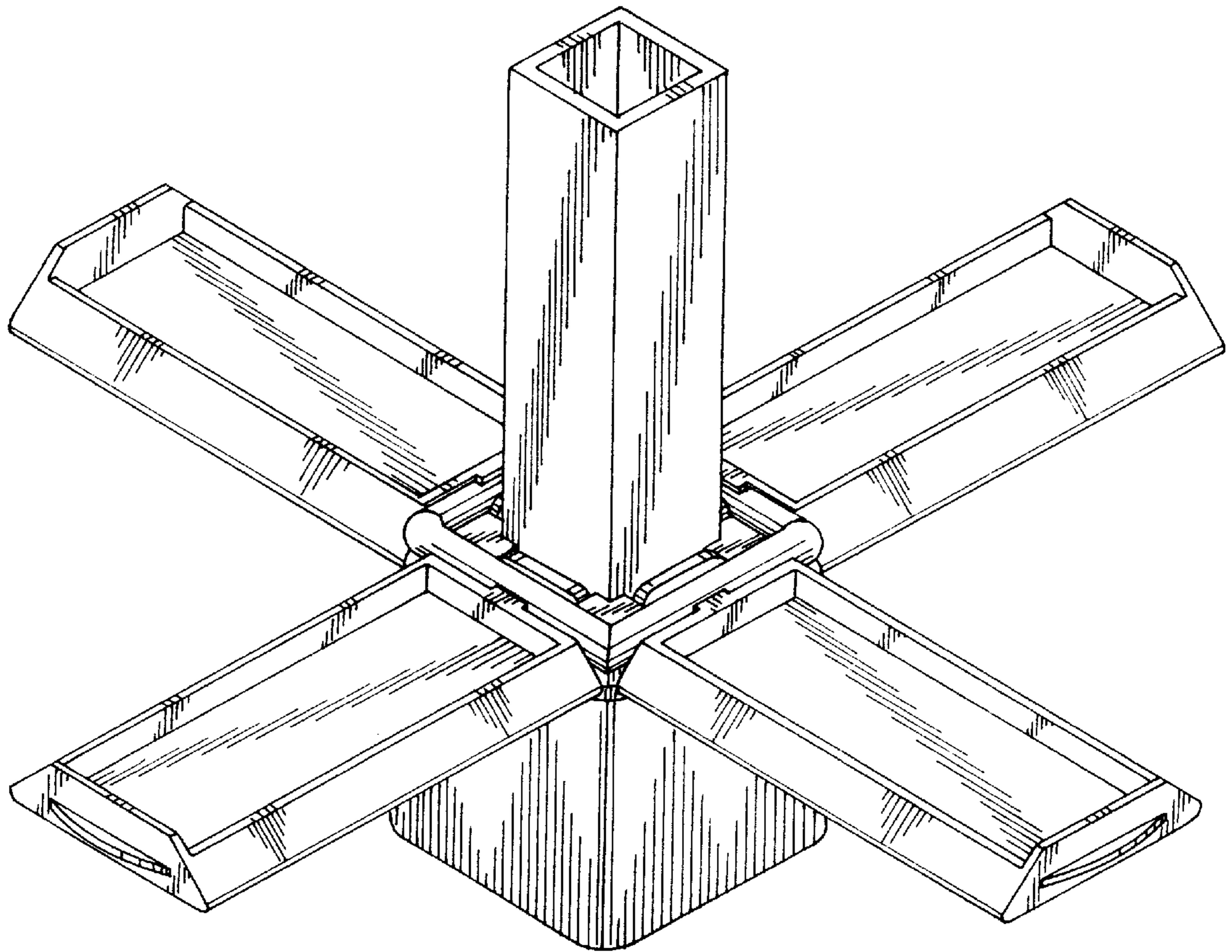
FIG. 7 is a bottom plan view thereof;

FIG. 8 is an exploded perspective view showing the interior of the lipstick case assembled; and,

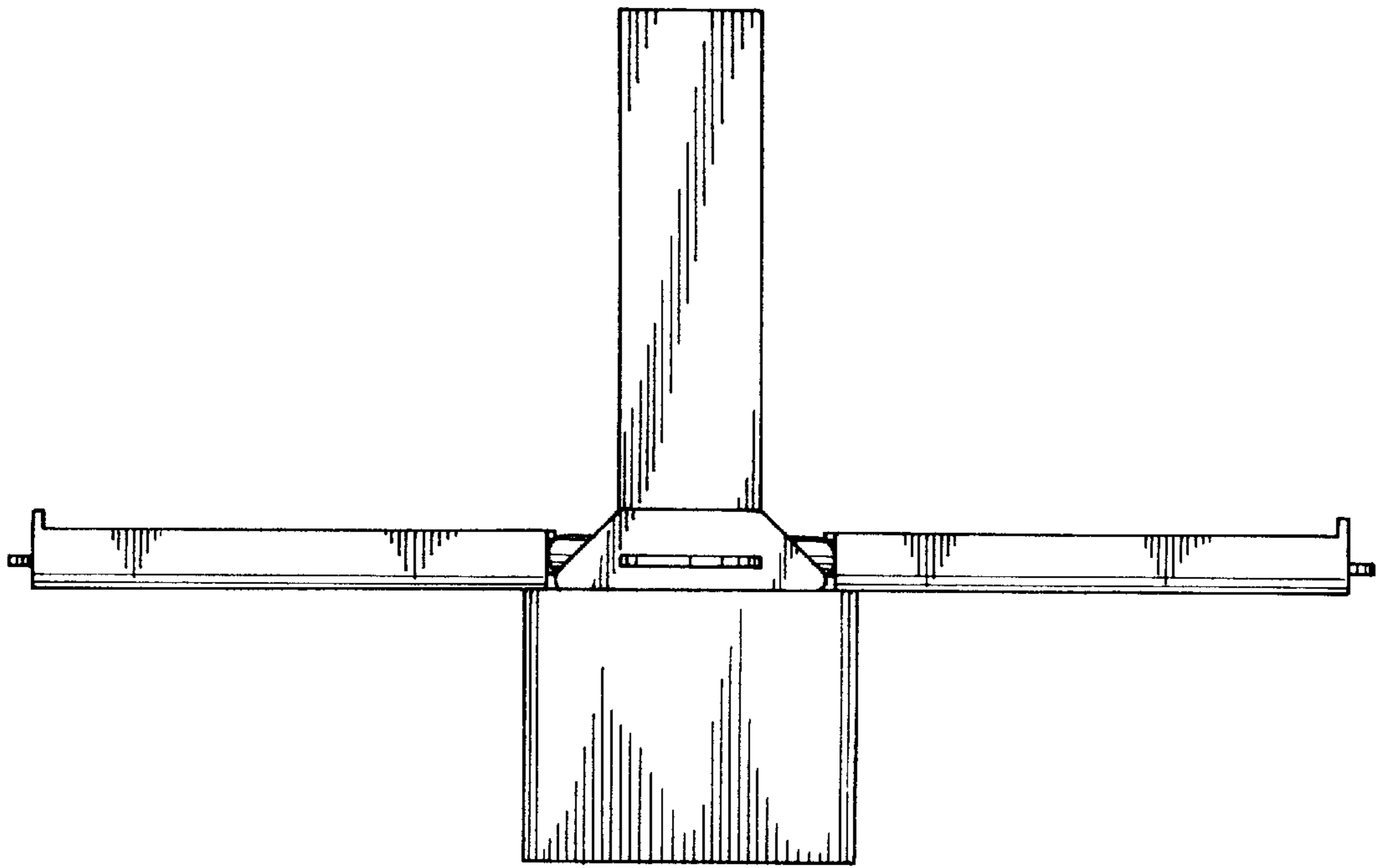
FIG. 9 is a perspective view showing the exterior of the lipstick case assembled.

1 Claim, 7 Drawing Sheets

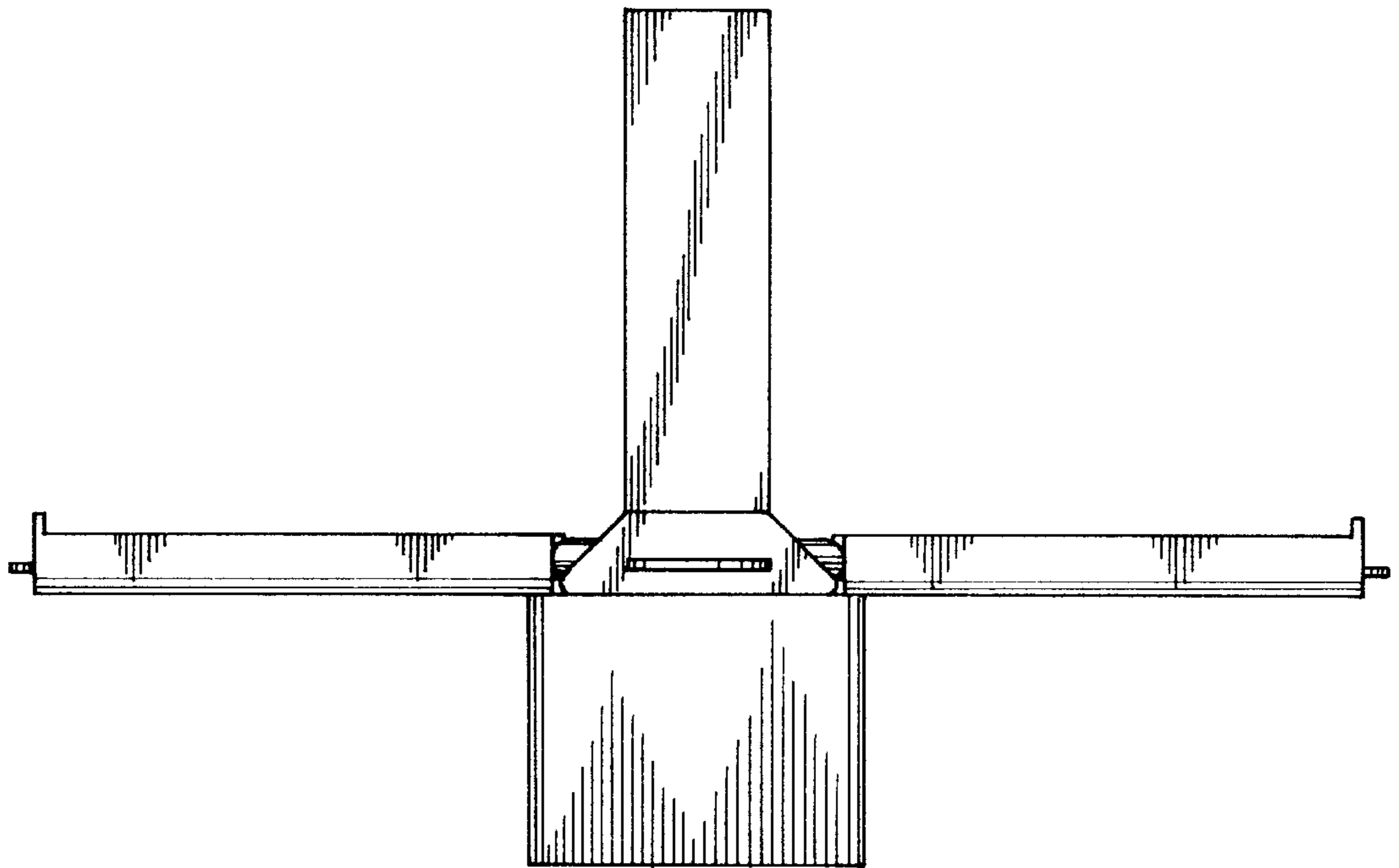




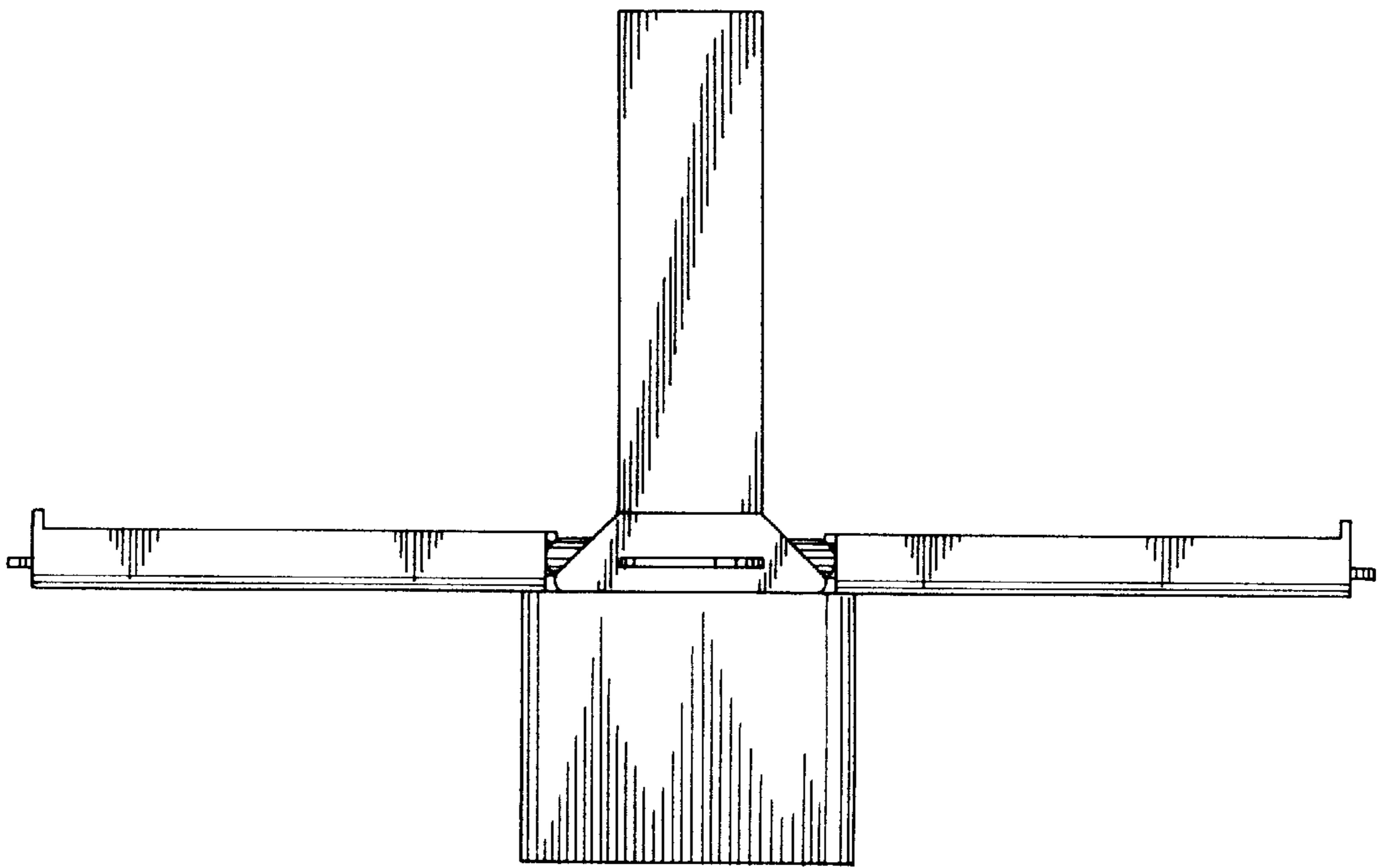
F I G . 1



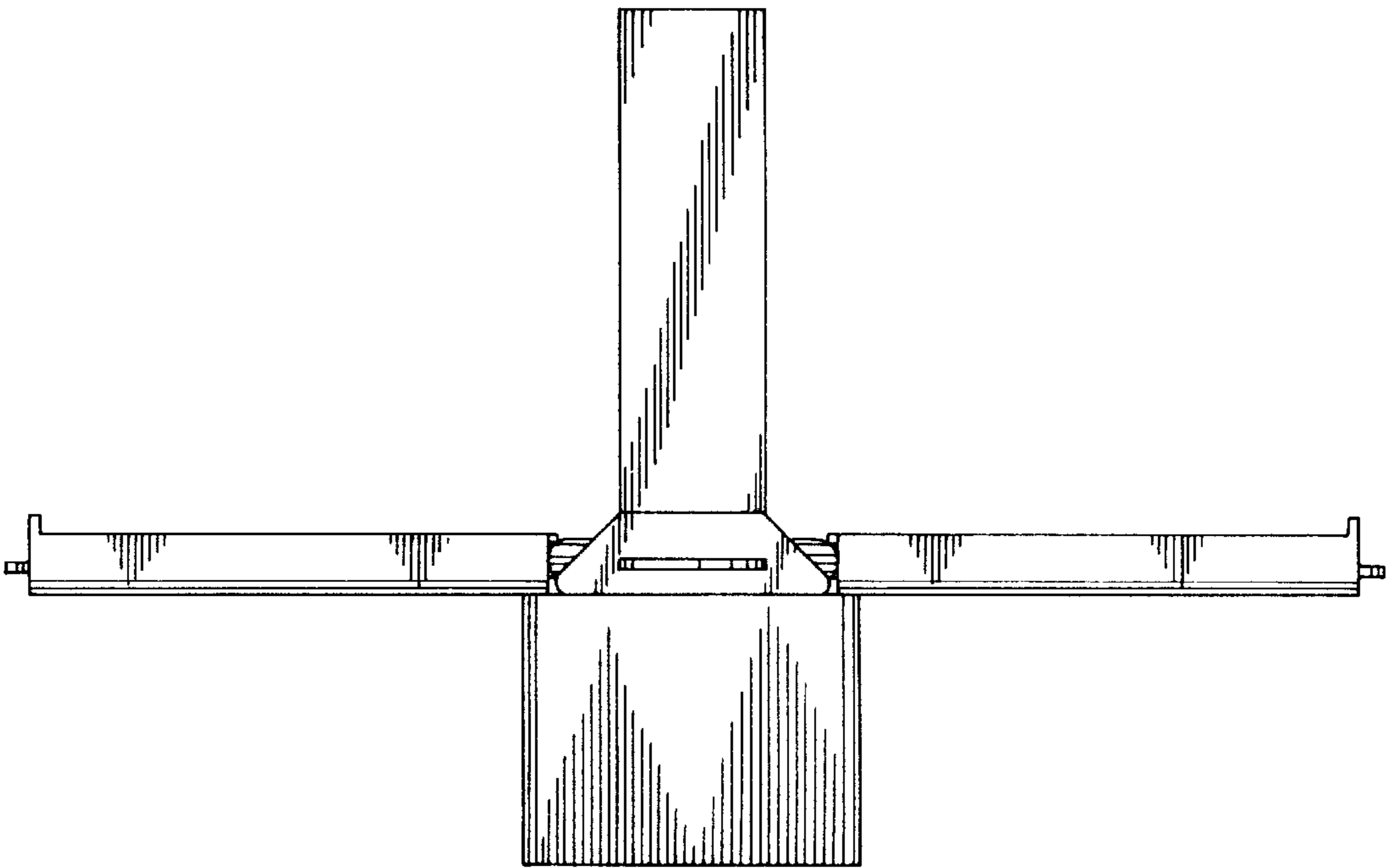
F I G . 2



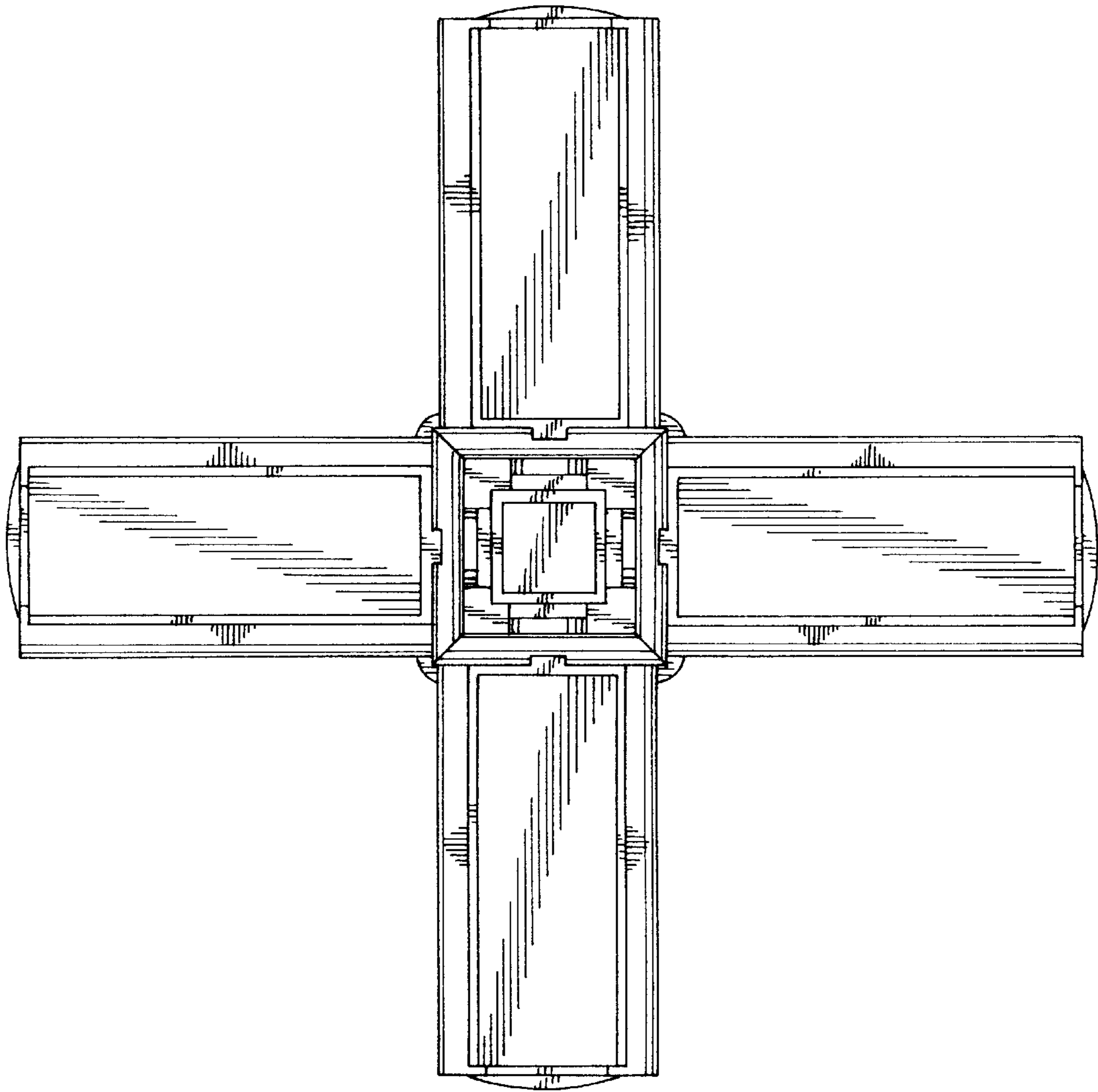
F I G . 3



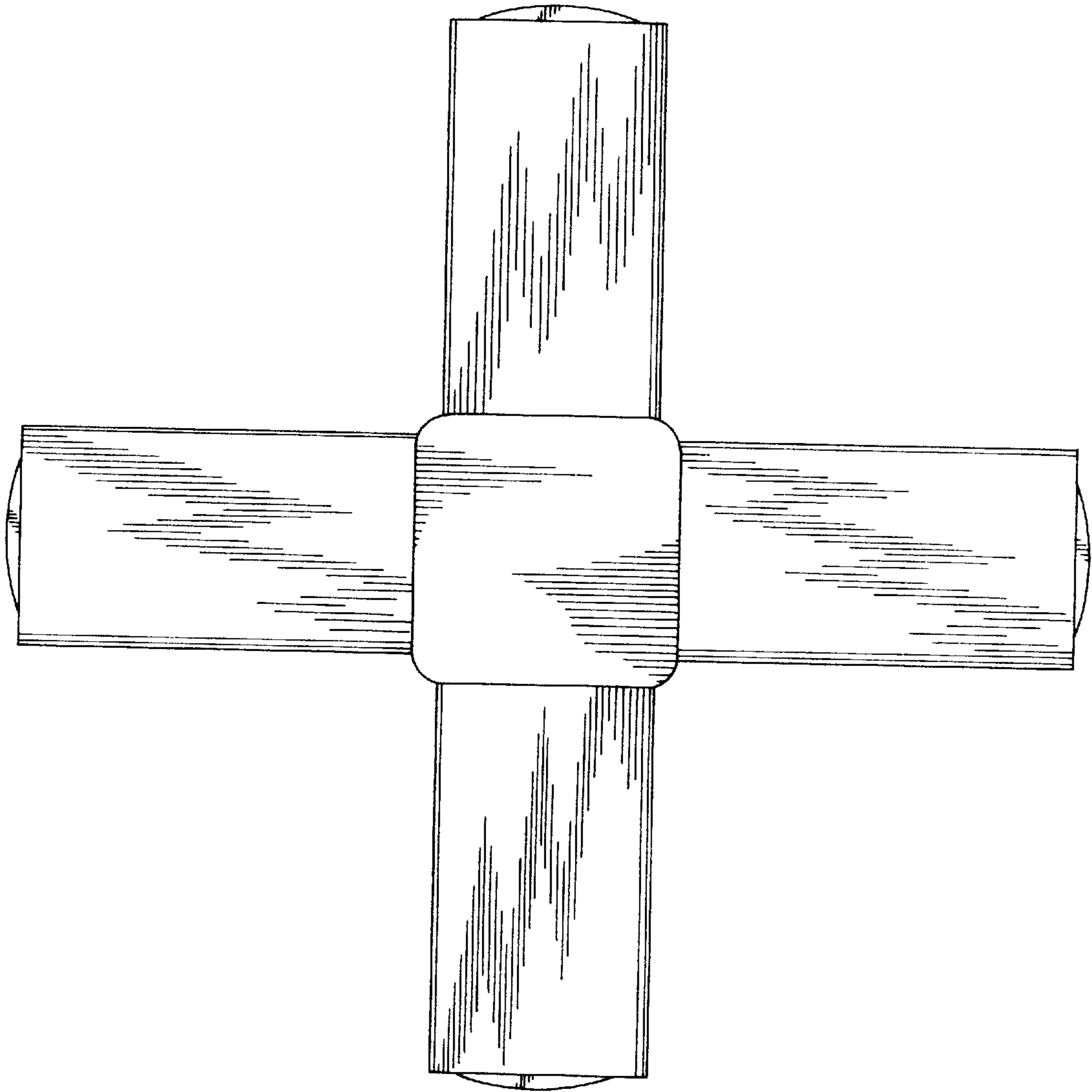
F I G . 4



F I G . 5



F I G . 6



F I G . 7

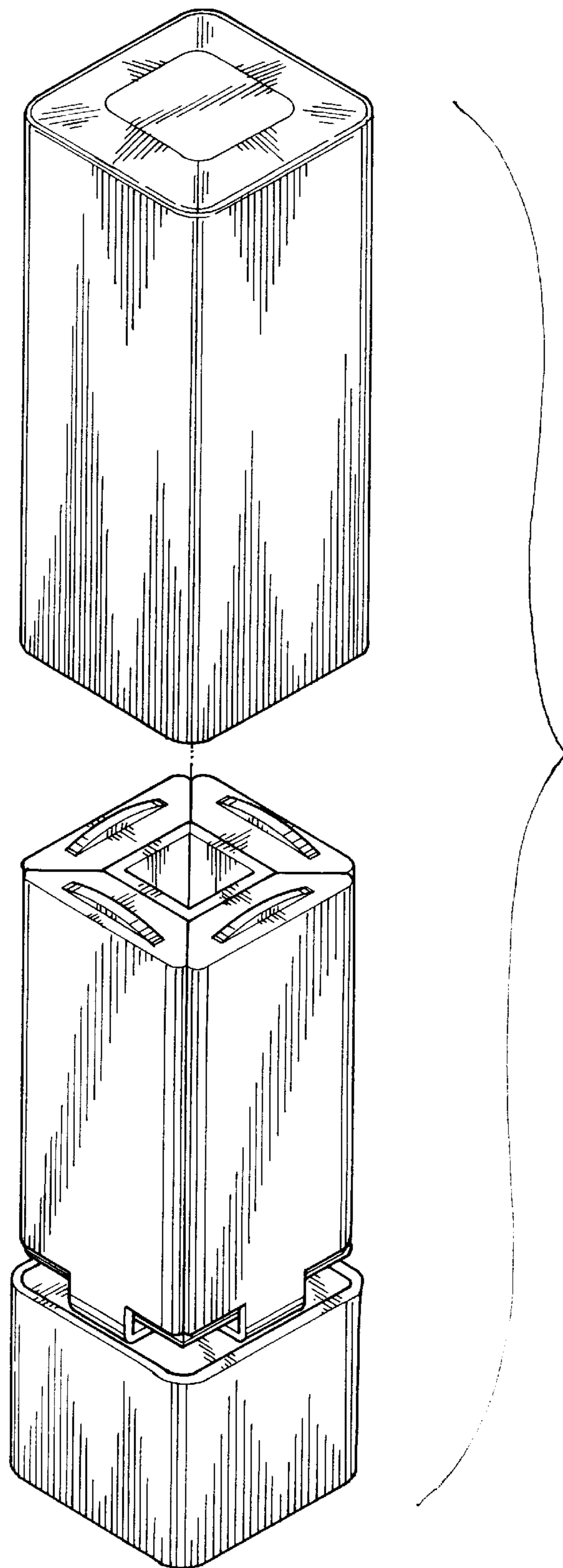


FIG. 8

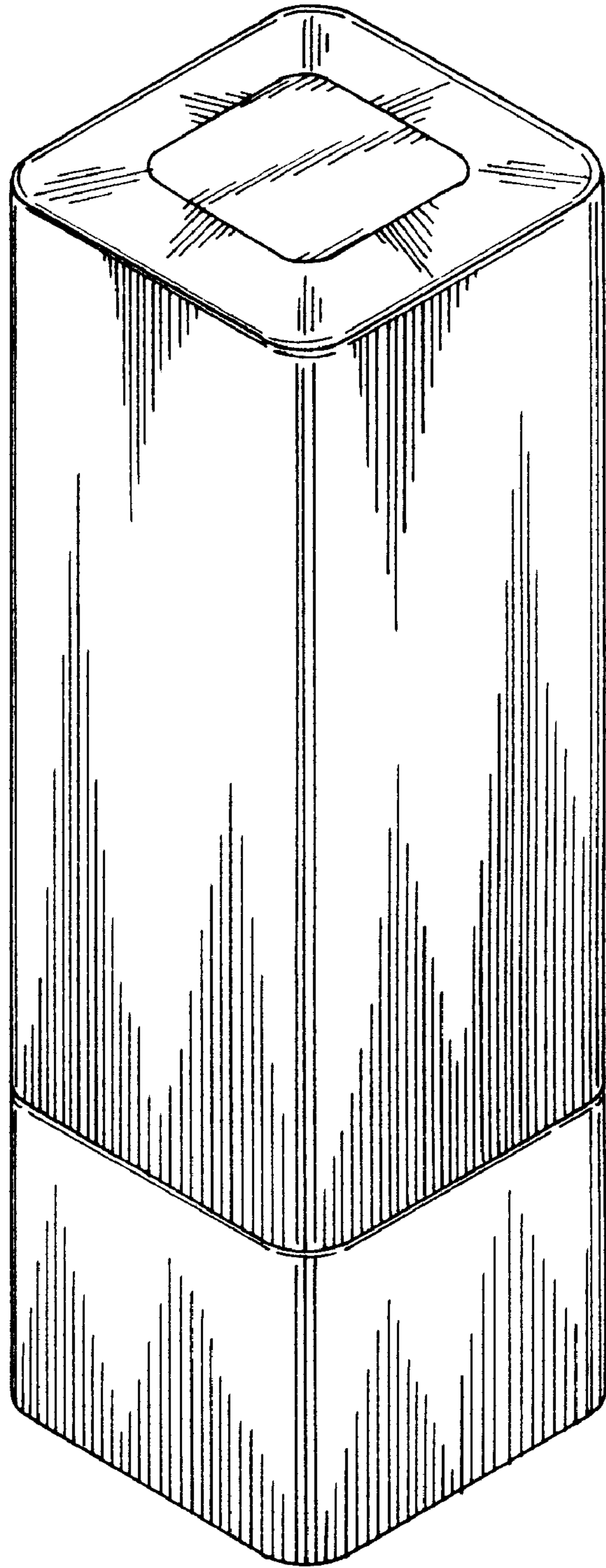


FIG. 9