



US00D439016S

(12) **United States Design Patent**
Syran et al.

(10) **Patent No.:** **US D439,016 S**
(45) **Date of Patent:** **** Mar. 13, 2001**

(54) **FOOT SCRUBBER DEVICE**
(76) Inventors: **Christopher S. Syran**, Heggeliveien
38, 0375 Oslo (NO); **Warner A.**
Bonner, 4365 Executive Dr., Suite 900,
San Diego, CA (US) 92121

5,163,200	11/1992	Carlin et al.	15/104.92
5,177,829	1/1993	Simpson	15/104.92
5,473,788	12/1995	Aragona	15/104.92
5,520,618	5/1996	Massiet	601/136
5,813,078	9/1998	Hogan, Sr.	15/160

(**) Term: **14 Years**

* cited by examiner

(21) Appl. No.: **29/126,665**

Primary Examiner—M. H. Tung

(22) Filed: **Jul. 20, 2000**

Assistant Examiner—Lavone Tabor

(51) **LOC (7) Cl.** **04-02**

(74) *Attorney, Agent, or Firm*—Flanagan & Flagnsn; John
R. Flanagan; John K. Flanagan

(52) **U.S. Cl.** **D28/63; D32/47**

(58) **Field of Search** D4/119, 120, 130;
D28/63; D32/47; 15/159.1, 160, 161, 104.92;
4/605, 606, 622; 601/136, 154

(57) **CLAIM**

The ornamental design for a foot scrubber device, as shown
and described.

(56) **References Cited**

DESCRIPTION

U.S. PATENT DOCUMENTS

D. 283,847	*	5/1986	Miller	D4/120
3,416,178		12/1968	James	15/104.92
3,543,747		12/1970	Gustafson	601/136
3,548,439		12/1970	Berst	15/104.92
3,973,286		8/1976	Logan	15/88.3
4,617,917		10/1986	Miller	601/136

FIG. 1 is a perspective view of a foot scrubber device
showing our new design.

FIG. 2 is a top plan view of the device.

FIG. 3 is a bottom plan view of the device.

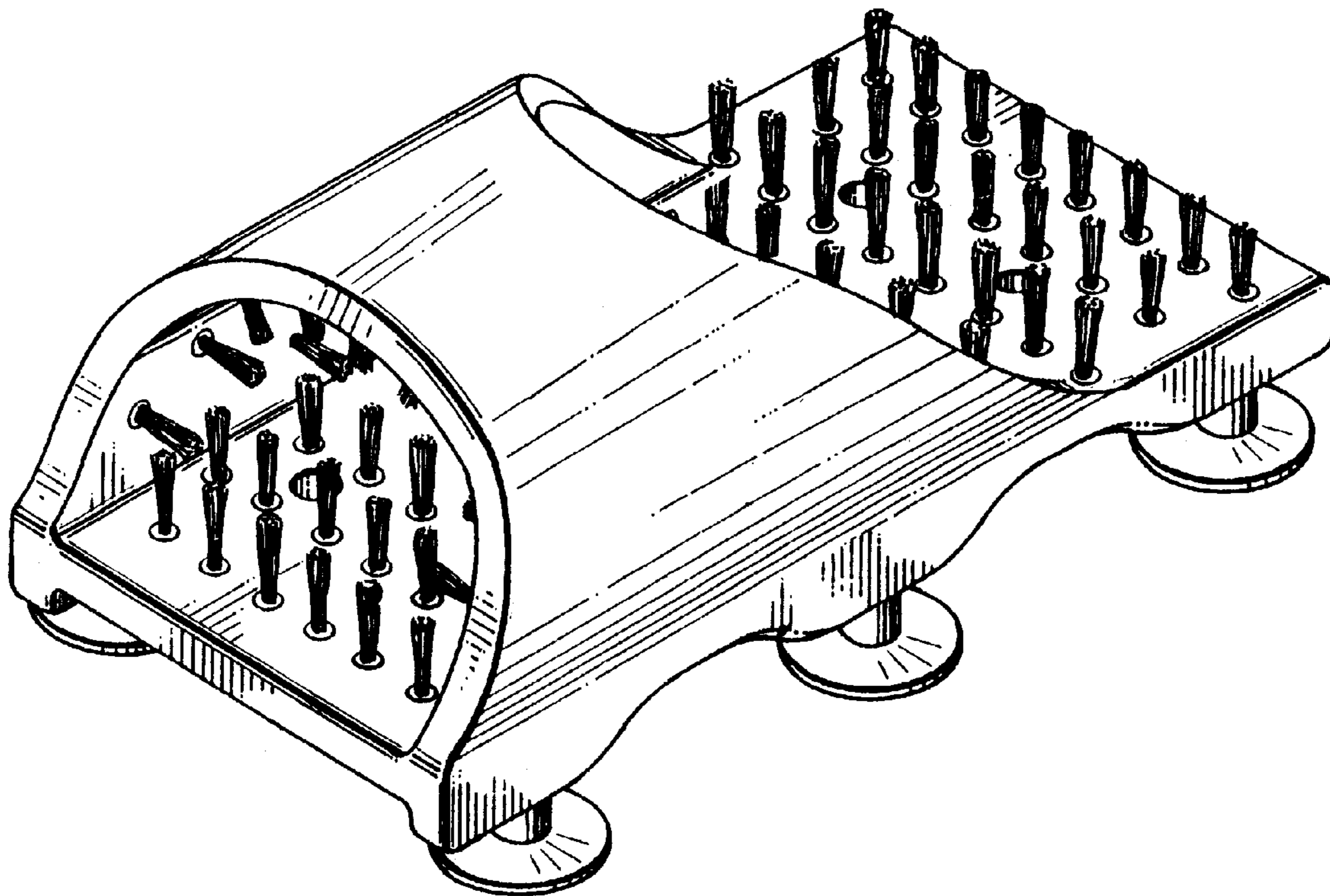
FIG. 4 is a right side elevational view of the device.

FIG. 5 is a left side elevational view of the device.

FIG. 6 is a rear elevational view of the device; and,

FIG. 7 is a front elevational view of the device.

1 Claim, 2 Drawing Sheets



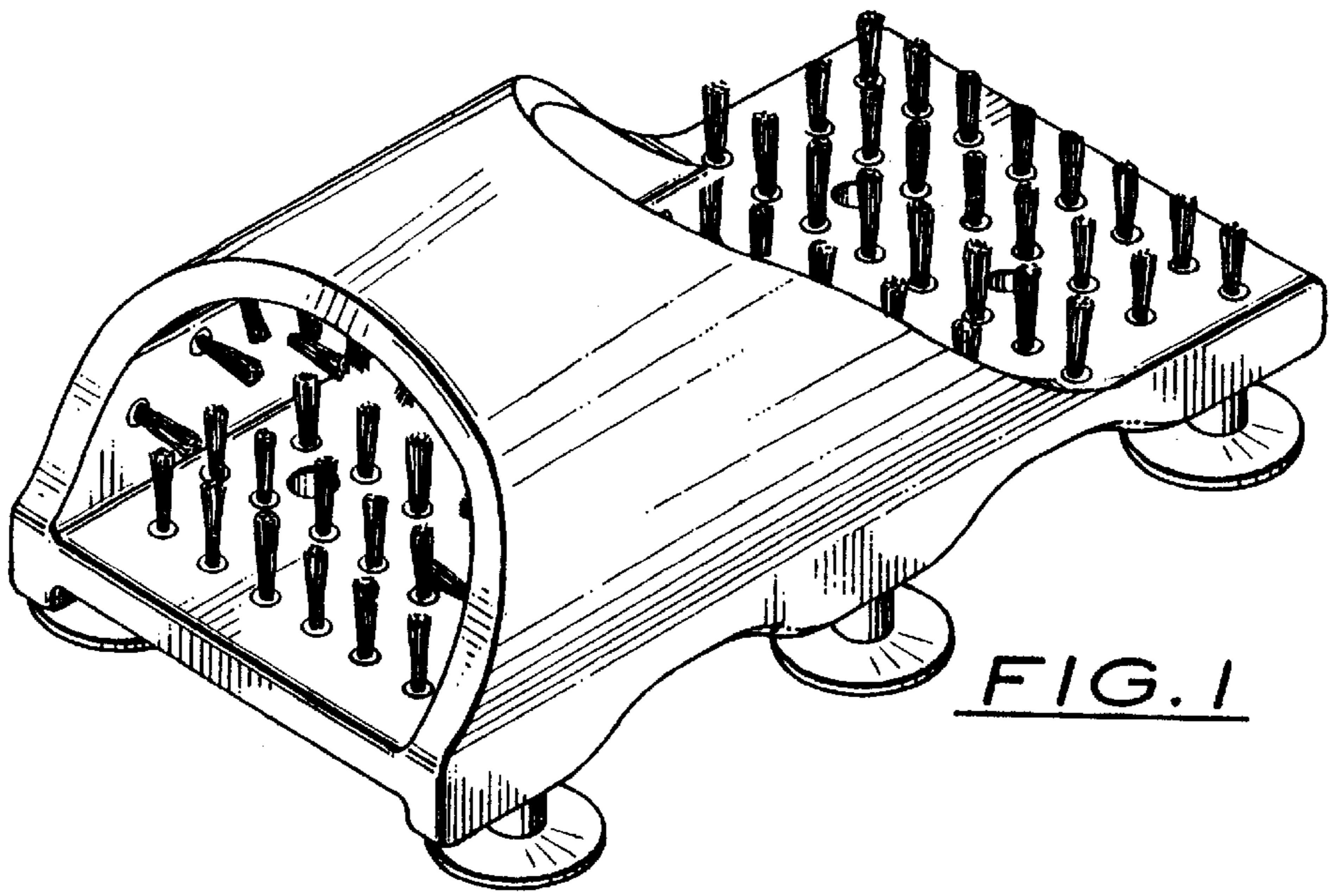


FIG. 1

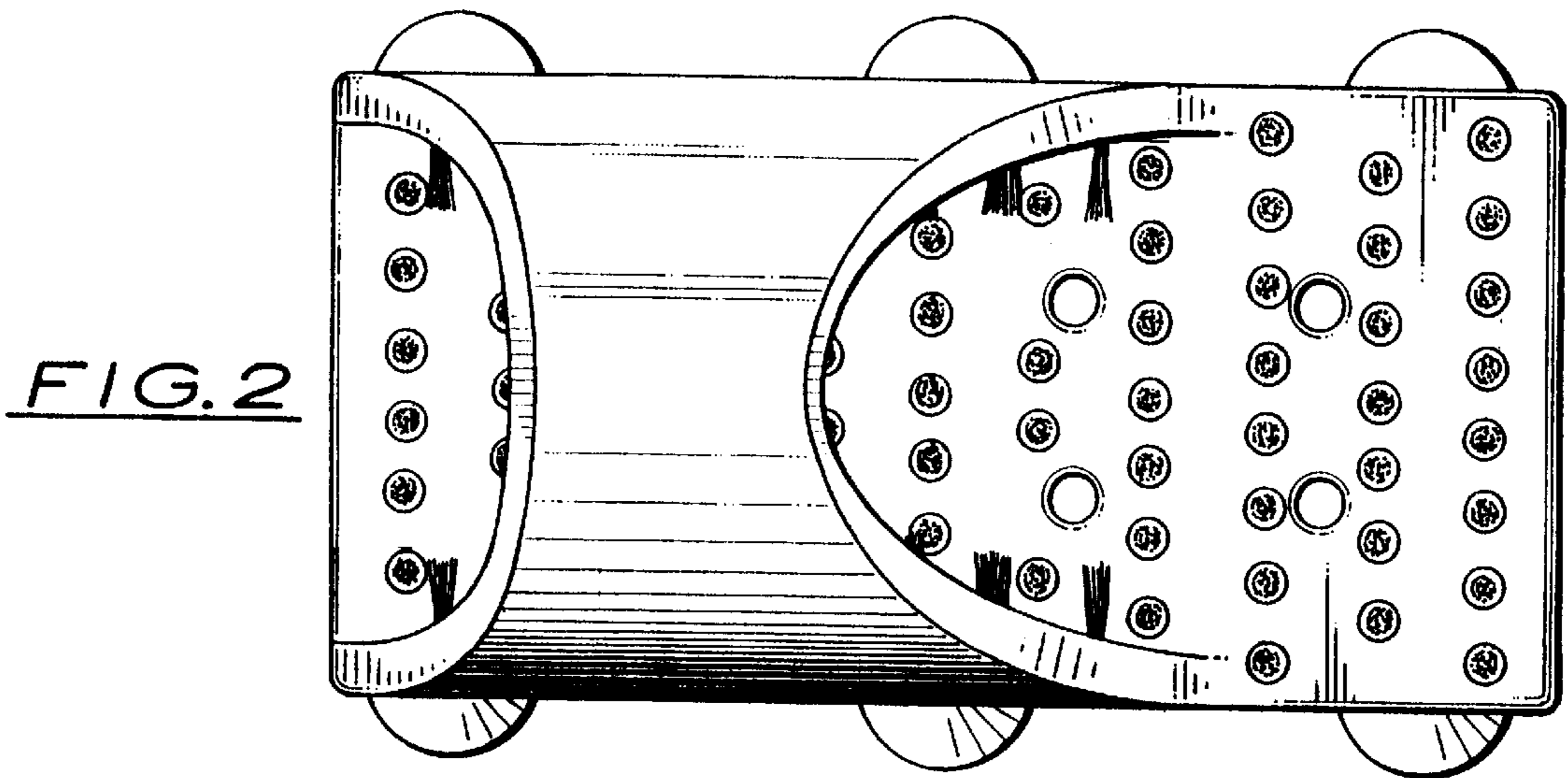


FIG. 2

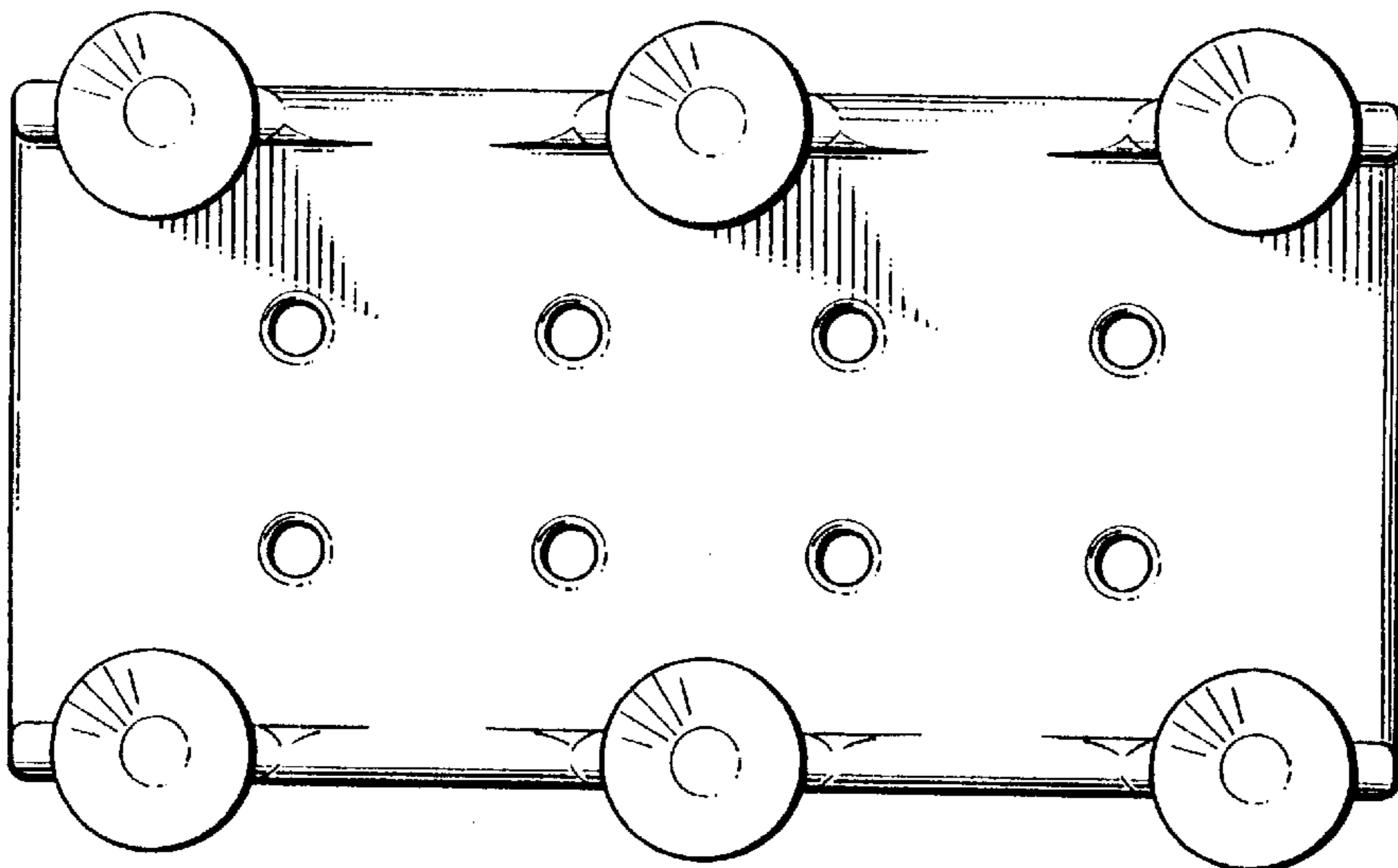


FIG. 3

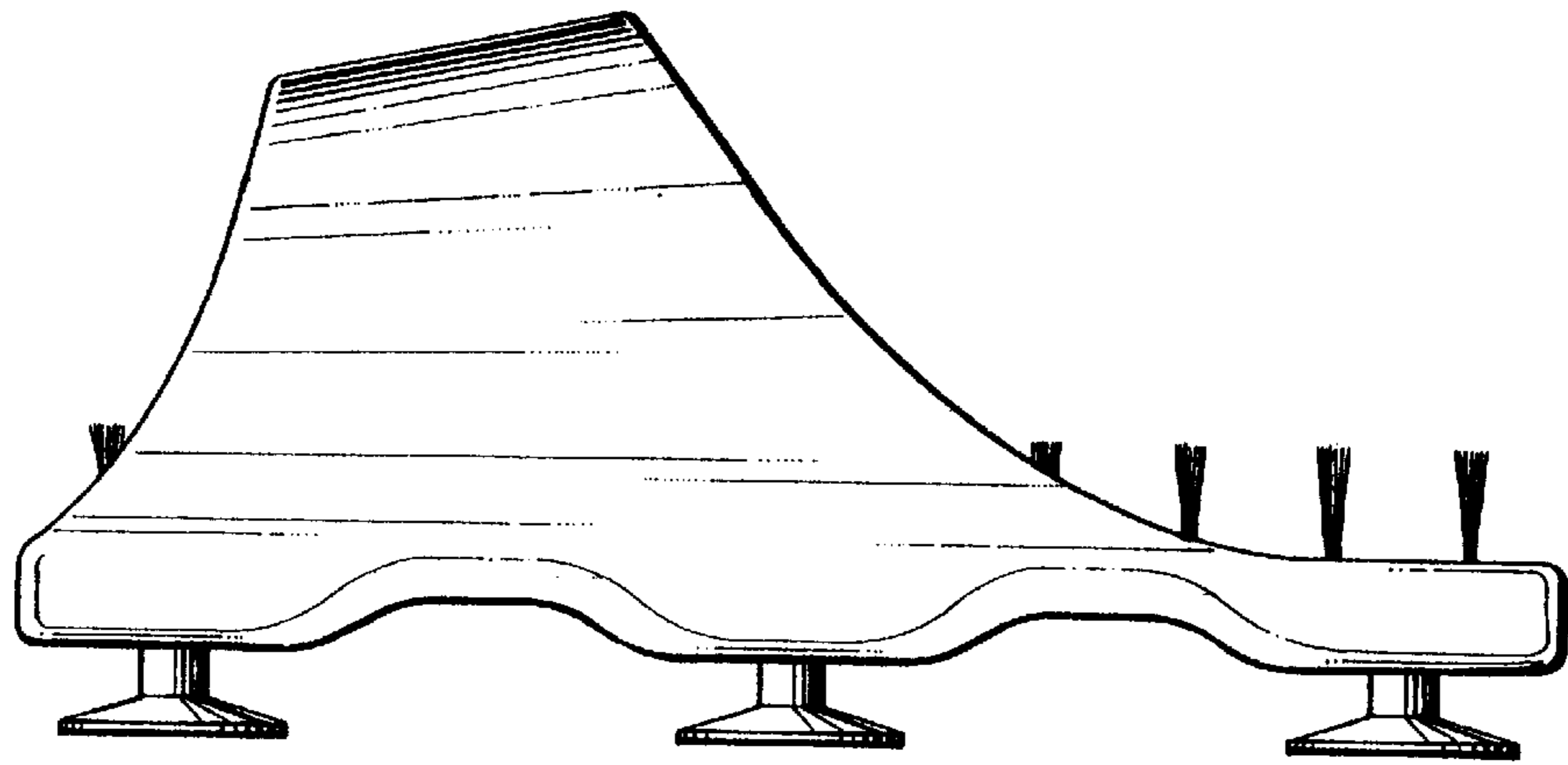


FIG. 4

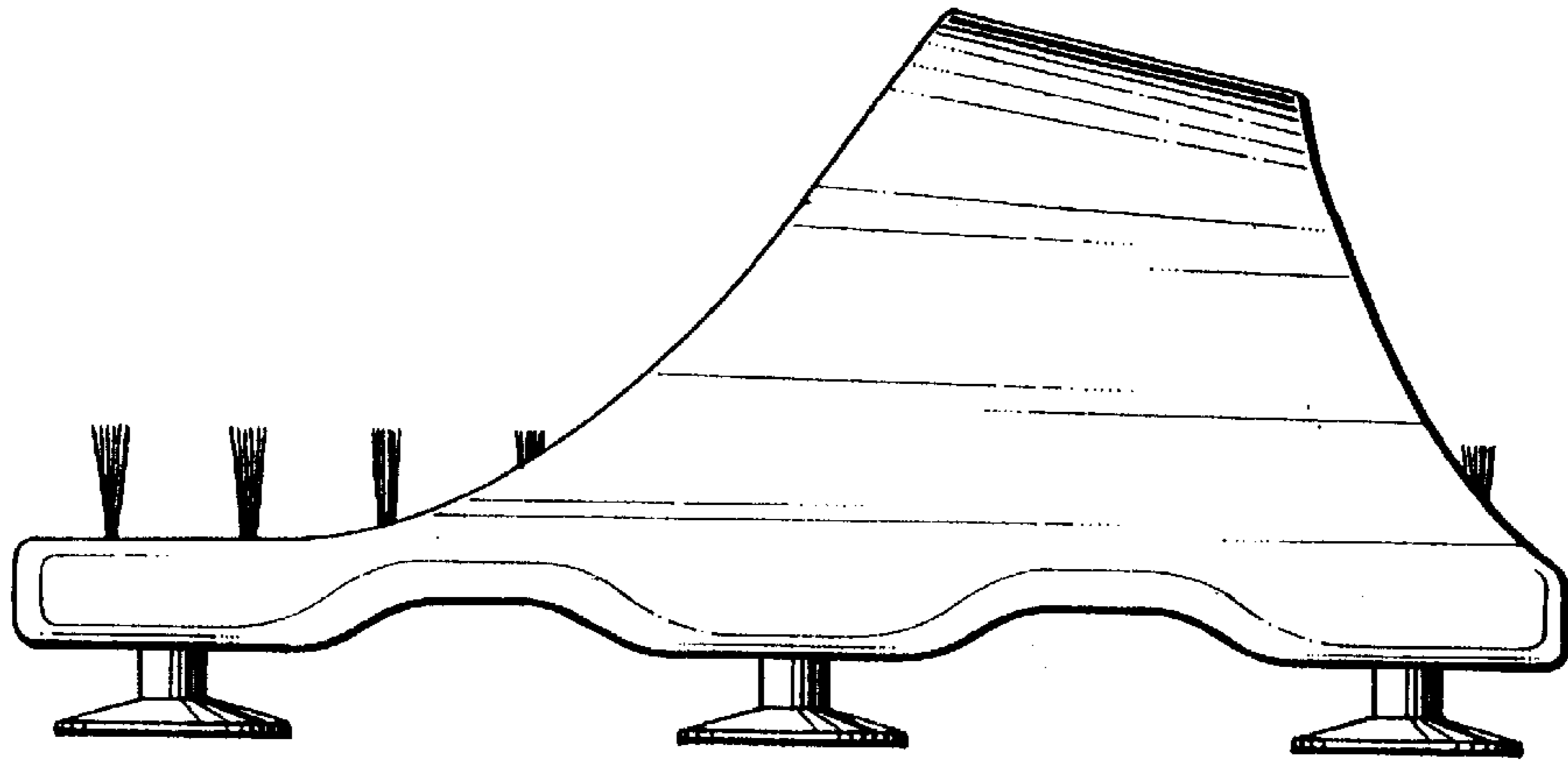


FIG. 5

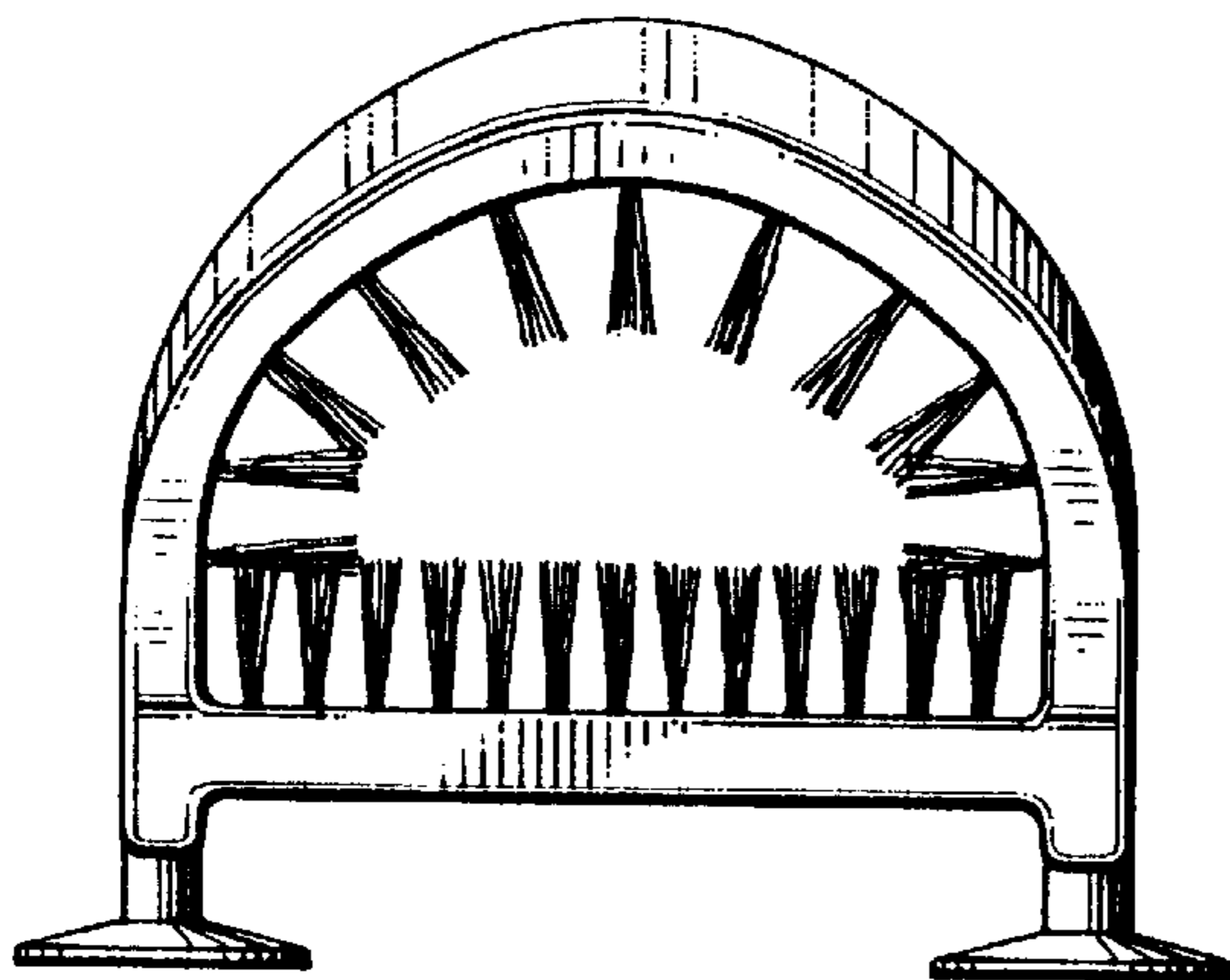


FIG. 6

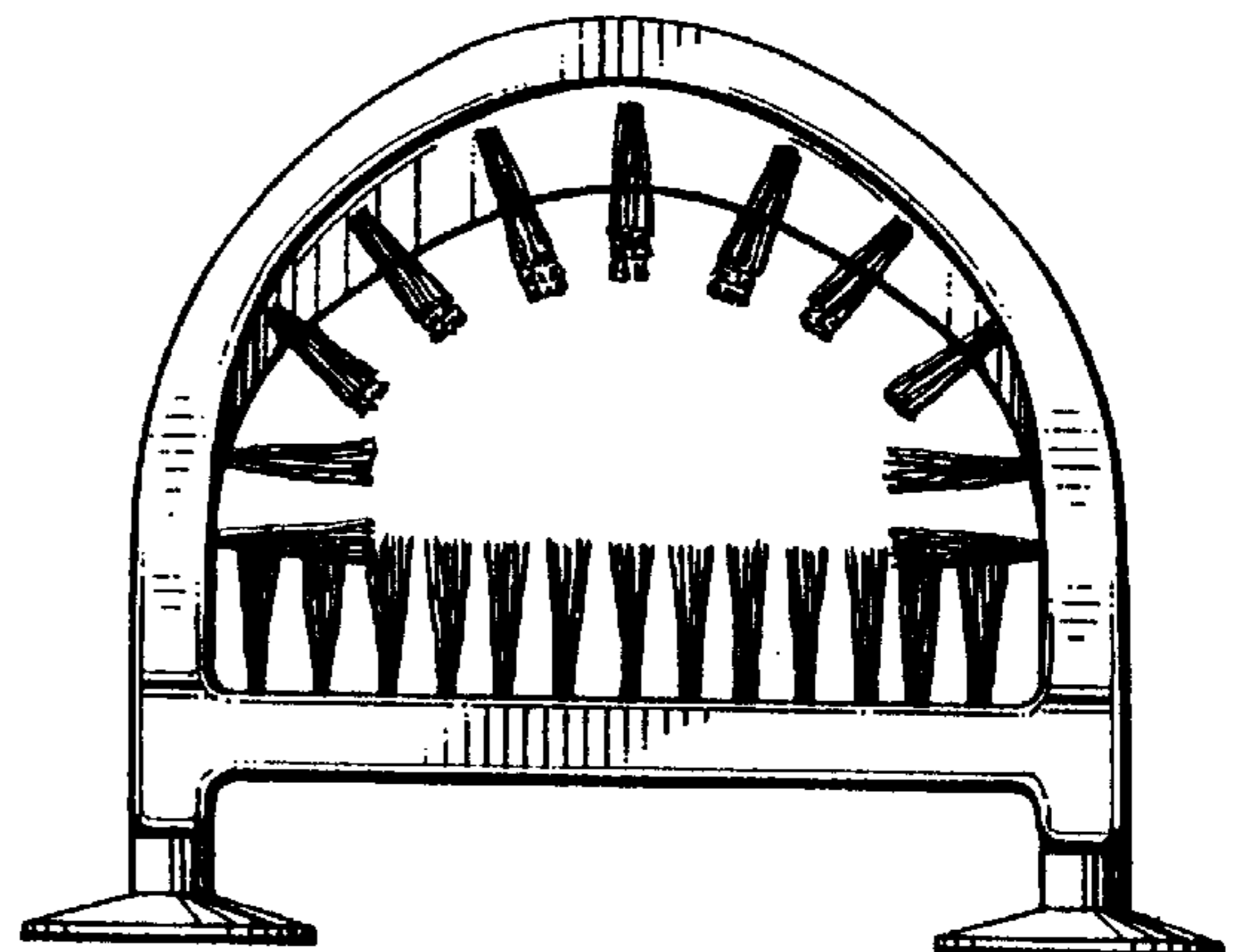


FIG. 7