



US00D439015S

(12) **United States Design Patent**  
**Wonderley**

(10) **Patent No.:** **US D439,015 S**

(45) **Date of Patent:** **\*\* Mar. 13, 2001**

(54) **SAFETY RAZOR HANDLE**

(75) Inventor: **Jeffrey W. Wonderley**, Fort Defiance, VA (US)

(73) Assignee: **American Safety Razor**, Verona, VA (US)

(\*\*) Term: **14 Years**

(21) Appl. No.: **29/120,292**

(22) Filed: **Mar. 17, 2000**

(51) **LOC (7) Cl.** ..... **28-03**

(52) **U.S. Cl.** ..... **D28/48**

(58) **Field of Search** ..... D28/44-48; 30/32, 30/47-51, 526, 527-533

(56) **References Cited**

**U.S. PATENT DOCUMENTS**

D. 229,249	*	11/1973	Castelli	.....	D28/48
D. 257,793	*	1/1981	Gray	.....	D28/48
D. 269,724		7/1983	Chase et al.	.....	D28/46
D. 269,915		7/1983	Iten et al.	.....	D28/46
D. 305,265	*	12/1989	Motta et al.	.....	D28/48
D. 318,142	*	7/1991	Falchi	.....	D28/46
D. 325,689	*	4/1992	Gray	.....	D28/48
D. 386,821	*	11/1997	Shurtleff et al.	.....	D28/48
D. 397,829	*	9/1998	Gray	.....	D28/46

D. 414,898	*	10/1999	Grange	.....	D28/48
D. 425,250	*	5/2000	Gray	.....	D28/48

\* cited by examiner

*Primary Examiner*—Ted Shooman

*Assistant Examiner*—C Tuttle

(74) *Attorney, Agent, or Firm*—McDermott, Will & Emery

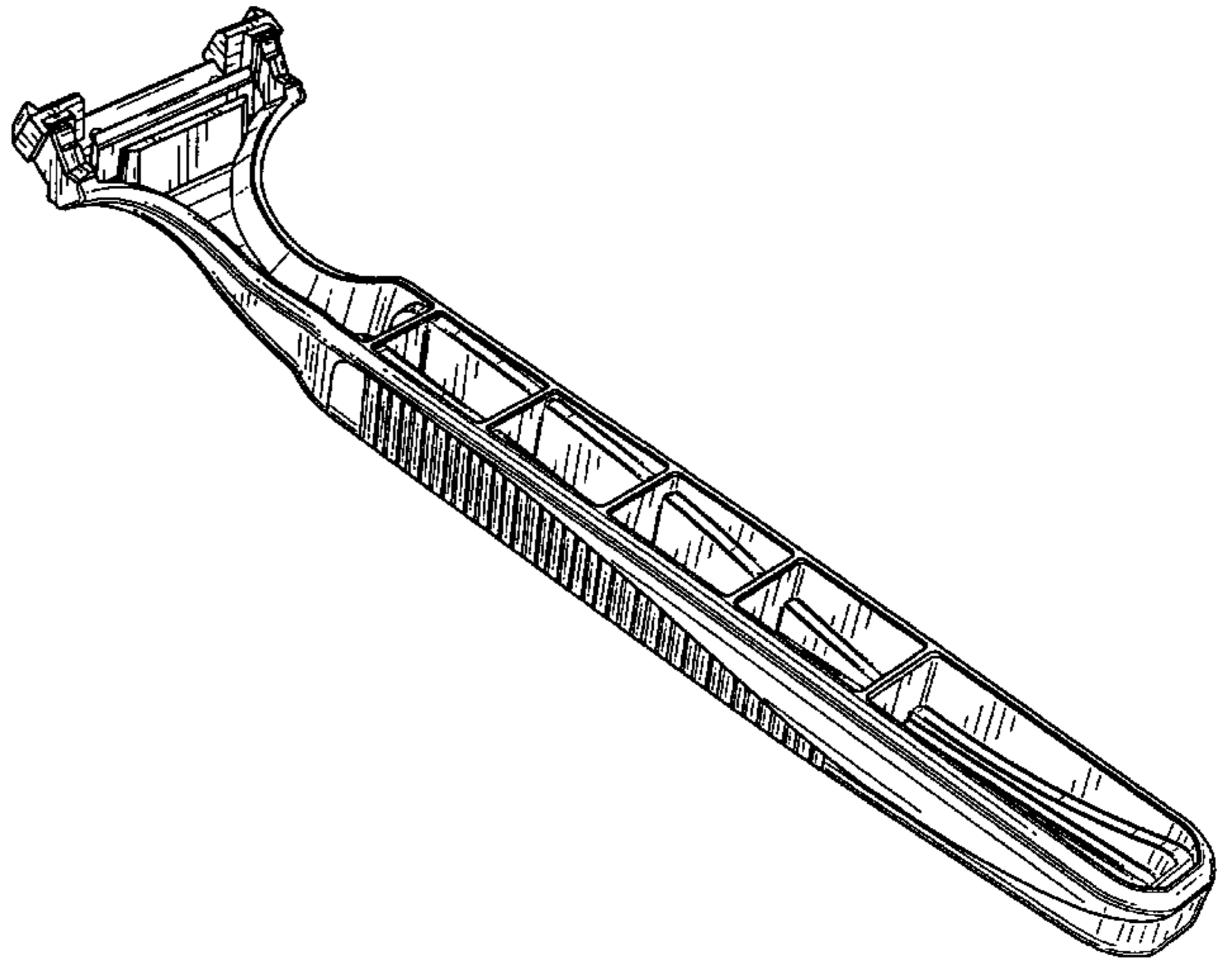
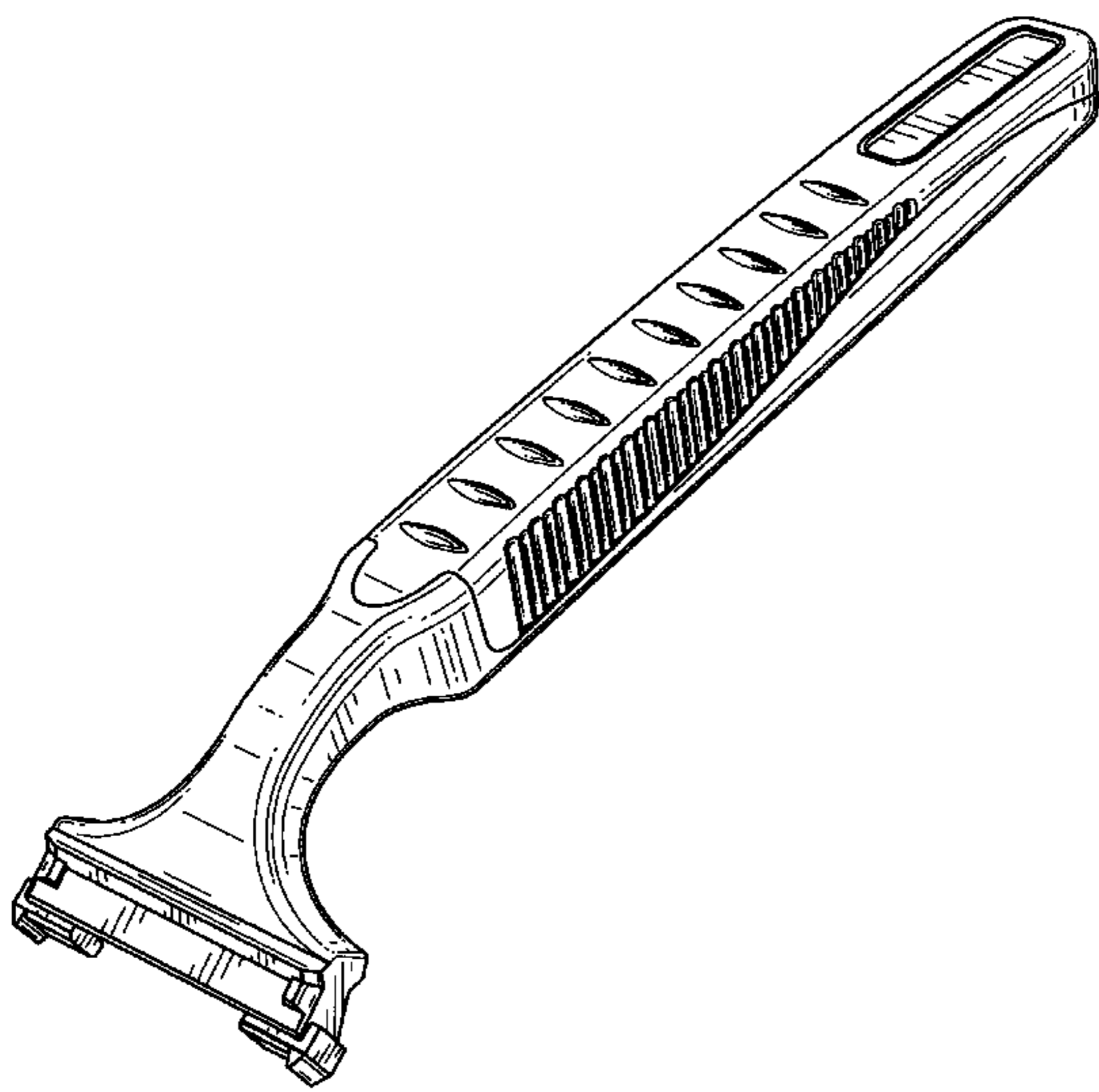
(57) **CLAIM**

The ornamental design for a safety razor handle, as shown and described.

**DESCRIPTION**

FIG. 1 is a front perspective view of a safety razor handle showing my new design;  
 FIG. 2 is a top plan view thereof;  
 FIG. 3 is a bottom plan view thereof;  
 FIG. 4 is a right side elevational view thereof, the left side elevational view being a mirror image thereof;  
 FIG. 5 is a front end view thereof;  
 FIG. 6 is a rear end view thereof;  
 FIG. 7 is a bottom perspective view thereof; and,  
 FIG. 8 is a front perspective view thereof with a razor cartridge shown in phantom.  
 The broken lines disclosure shown in FIG. 8 is for illustrative purposes only and forms no part of the claimed design.

**1 Claim, 7 Drawing Sheets**



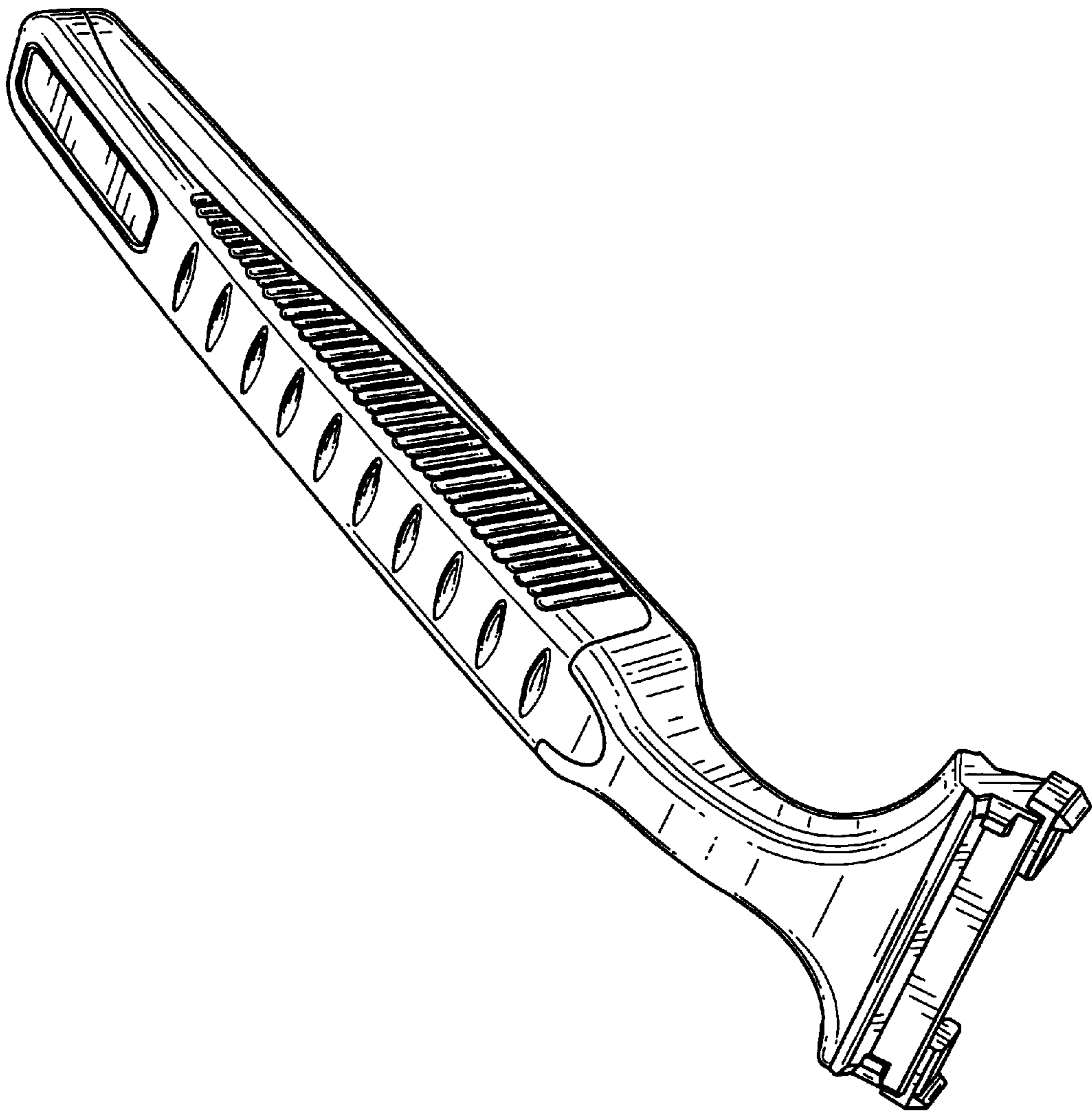


FIG. 1

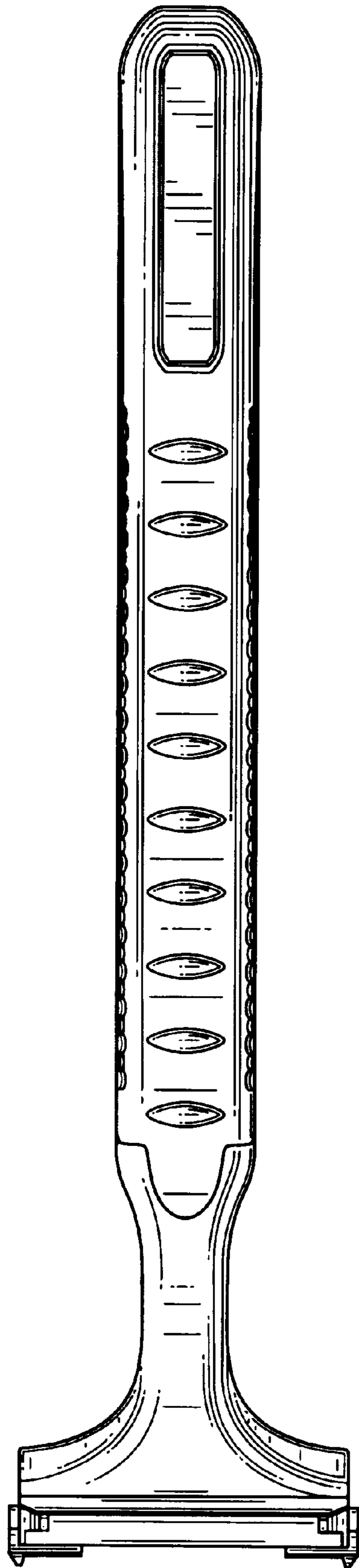


FIG. 2

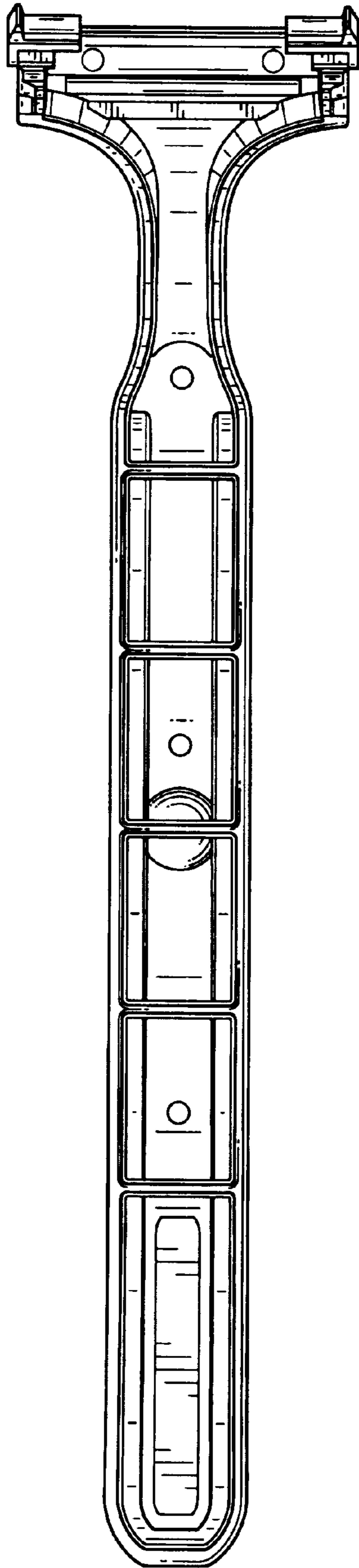


FIG. 3

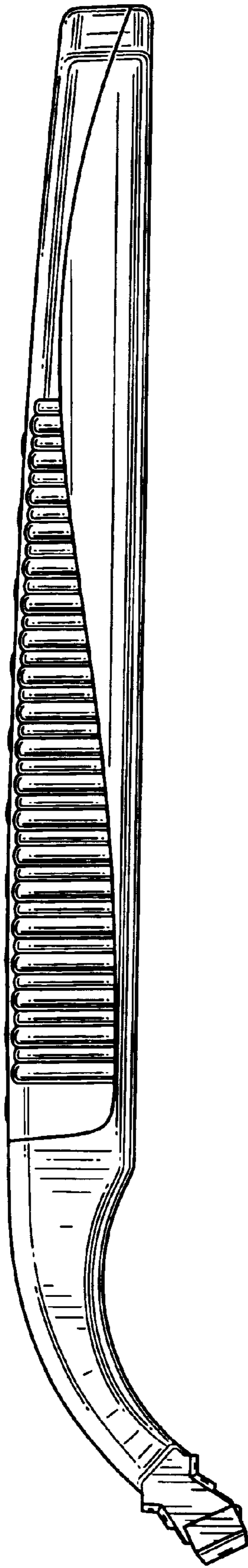


FIG. 4

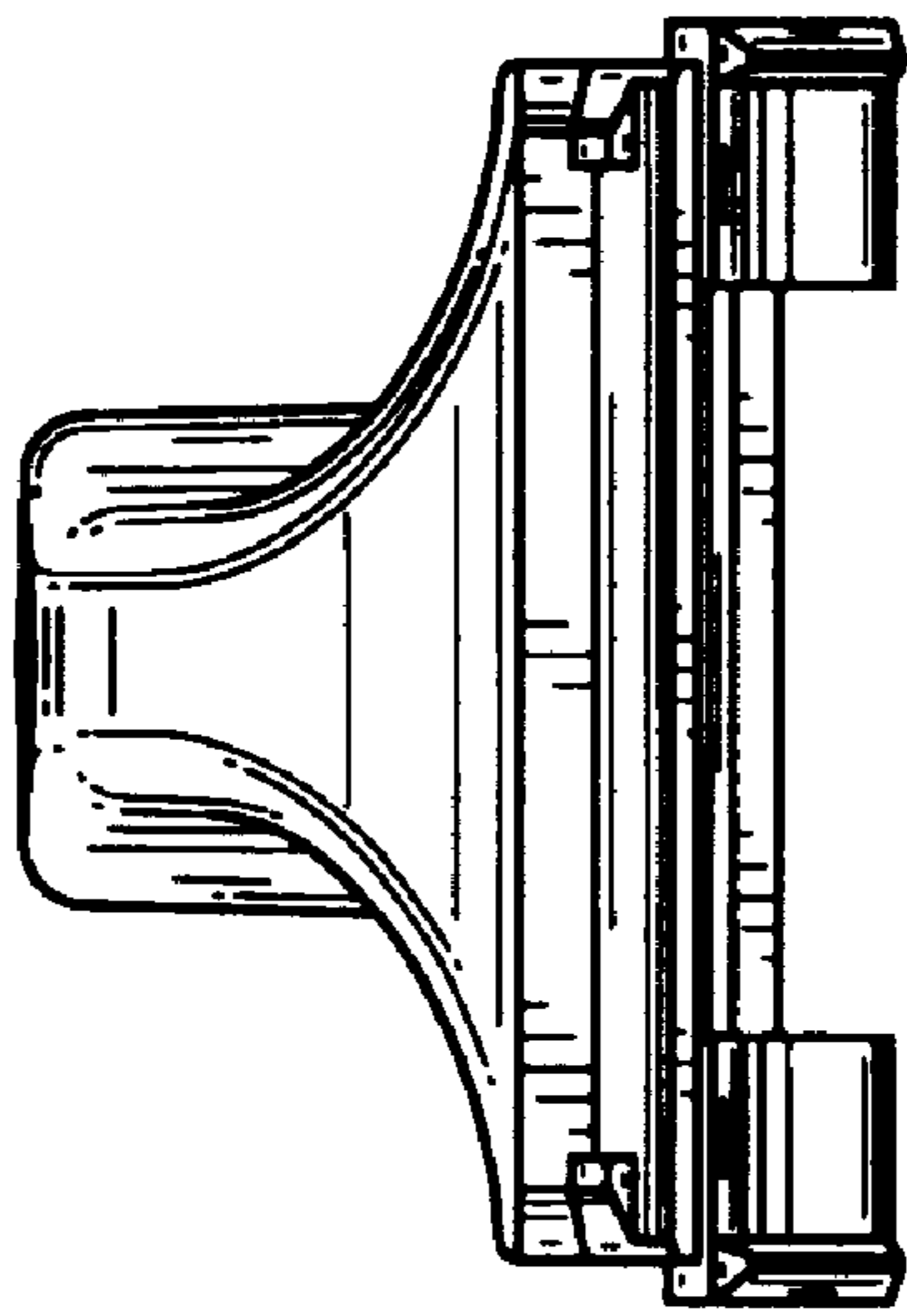


FIG. 5

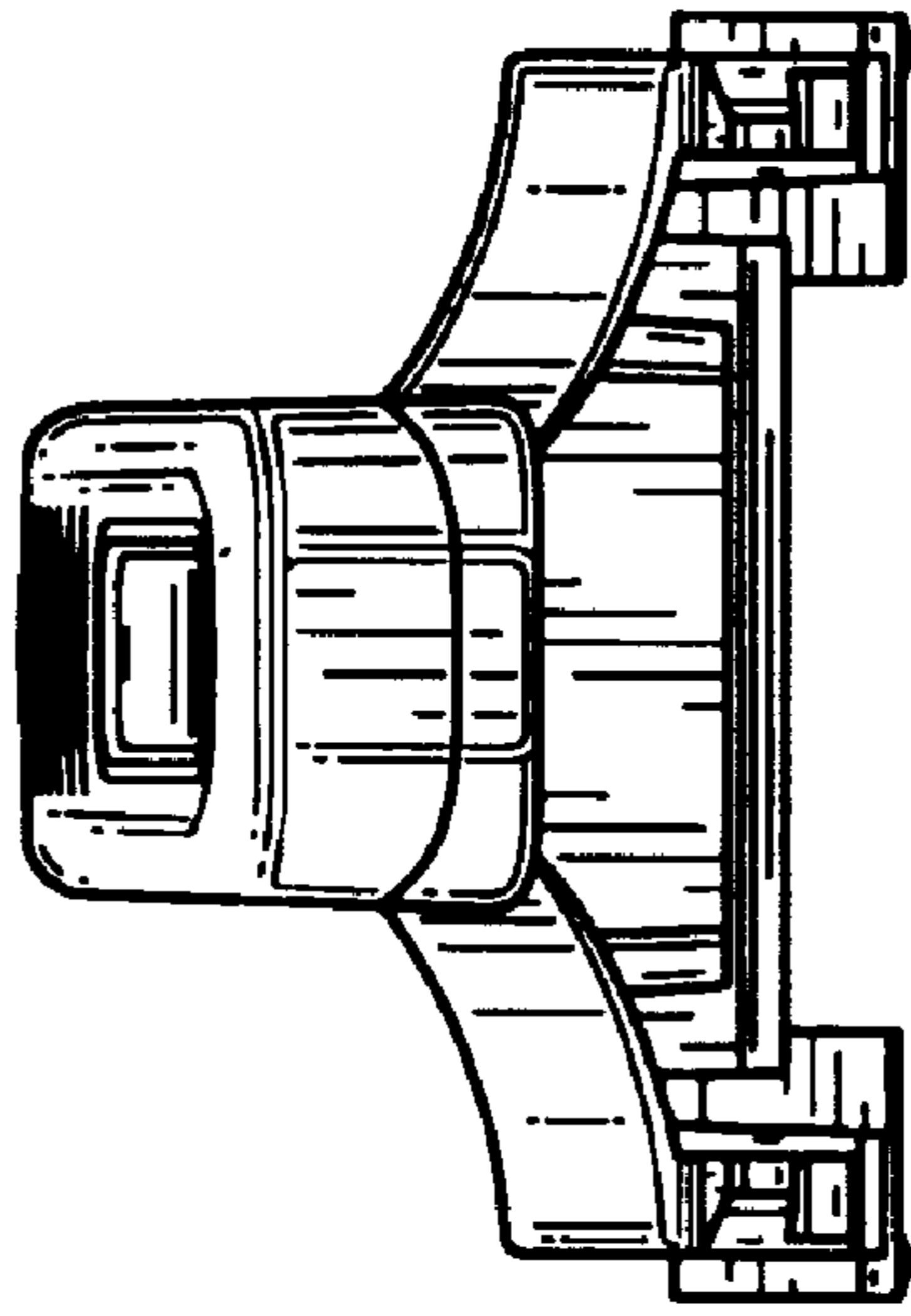


FIG. 6

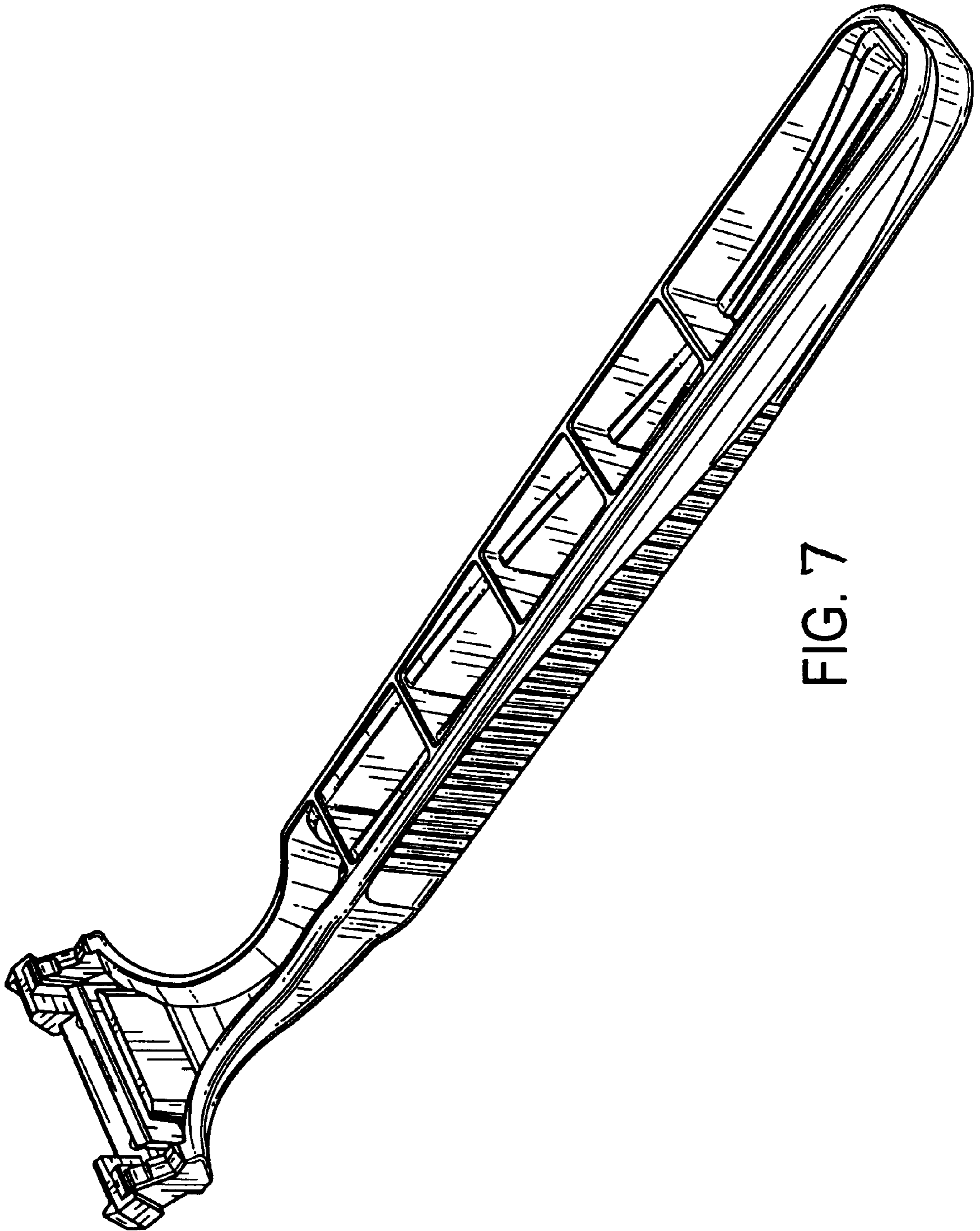


FIG. 7

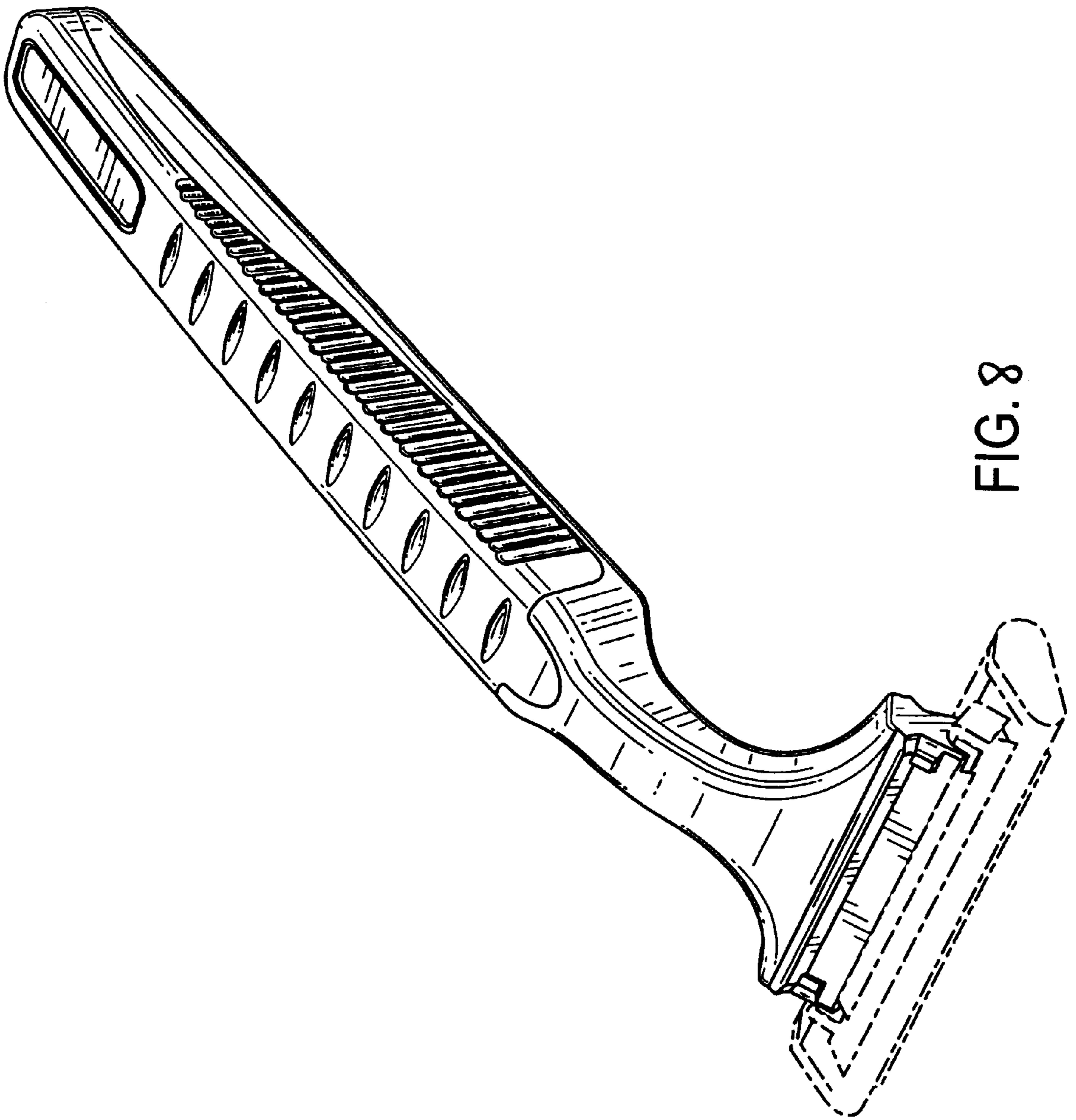


FIG. 8