



US00D439013S

(12) **United States Design Patent**
Cho

(10) **Patent No.:** **US D439,013 S**

(45) **Date of Patent:** **** Mar. 13, 2001**

(54) **EYELASH CURLER**

(76) **Inventor:** **Yong Hoon Cho**, 604 Murfield Ct.,
Fullerton, CA (US) 92835

(**) **Term:** **14 Years**

(21) **Appl. No.:** **29/111,619**

(22) **Filed:** **Sep. 30, 1999**

(30) **Foreign Application Priority Data**

Apr. 2, 1999 (KR) 99-6678

(51) **LOC (7) Cl.** **28-03**

(52) **U.S. Cl.** **D28/36**

(58) **Field of Search** D28/35, 36; 132/216-218;
219/225

(56) **References Cited**

U.S. PATENT DOCUMENTS

- D. 155,157 * 9/1949 Hickey D28/36
- 1,925,266 * 9/1933 Manning 132/217
- 2,393,848 * 1/1946 Wasserman 132/217
- 2,584,668 * 2/1952 Brown 132/217

4,212,311 * 7/1980 Del Valle 132/217

5,524,649 * 6/1996 Suh 132/217

5,853,010 * 12/1998 Suh 132/217

5,944,028 * 8/1999 Gebhard 132/216

* cited by examiner

Primary Examiner—Ted Shooman

Assistant Examiner—C. Tuttle

(74) *Attorney, Agent, or Firm*—Maria Erlinda Co Sarno

(57) **CLAIM**

The ornamental design for an eyelash curler, as shown and described.

DESCRIPTION

FIG. 1 is a top plan view of an eyelash curler showing my new design;

FIG. 2 is a bottom plan view thereof;

FIG. 3 is a front elevational view thereof;

FIG. 4 is a back elevational view thereof;

FIG. 5 is a left side elevational view thereof; and,

FIG. 6 is a right side elevational view thereof.

1 Claim, 3 Drawing Sheets

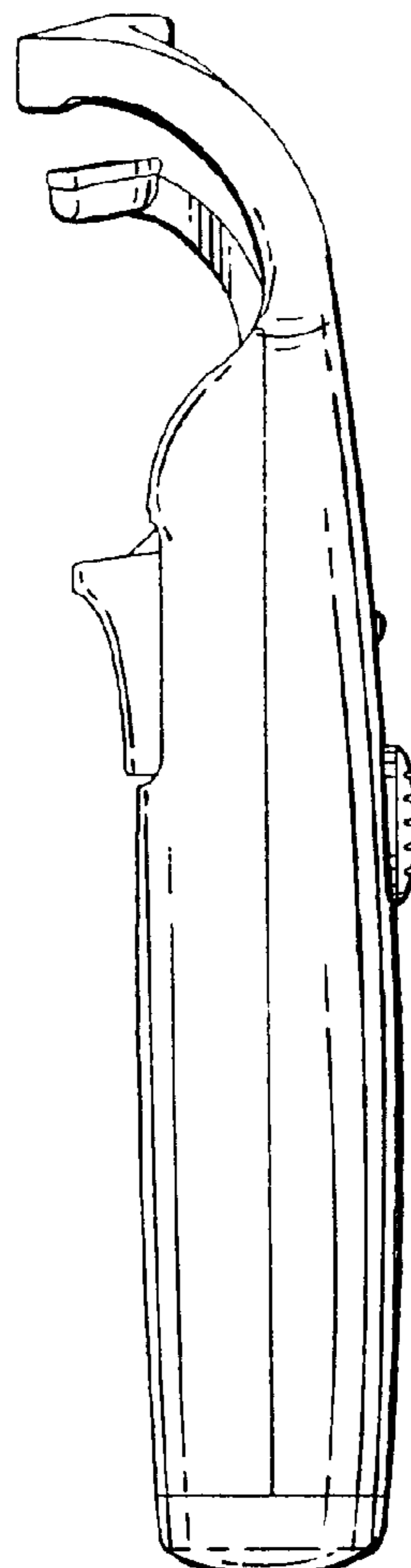
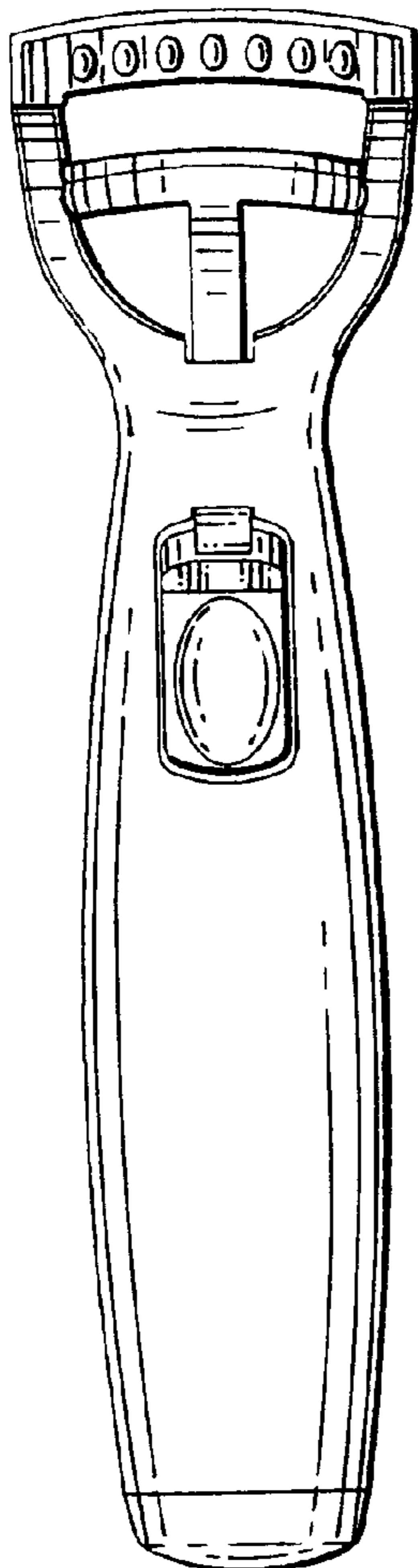


Fig. 1

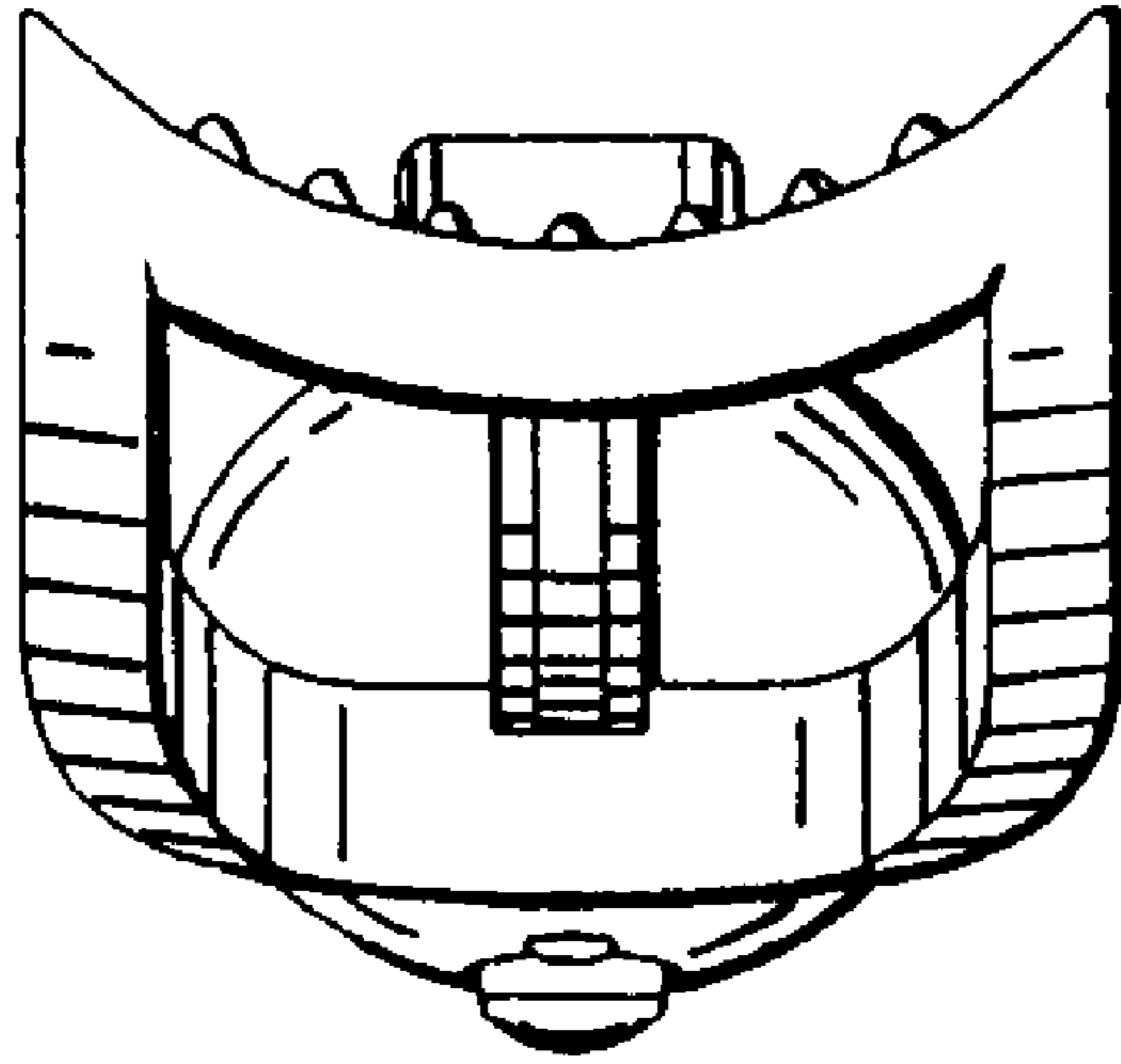
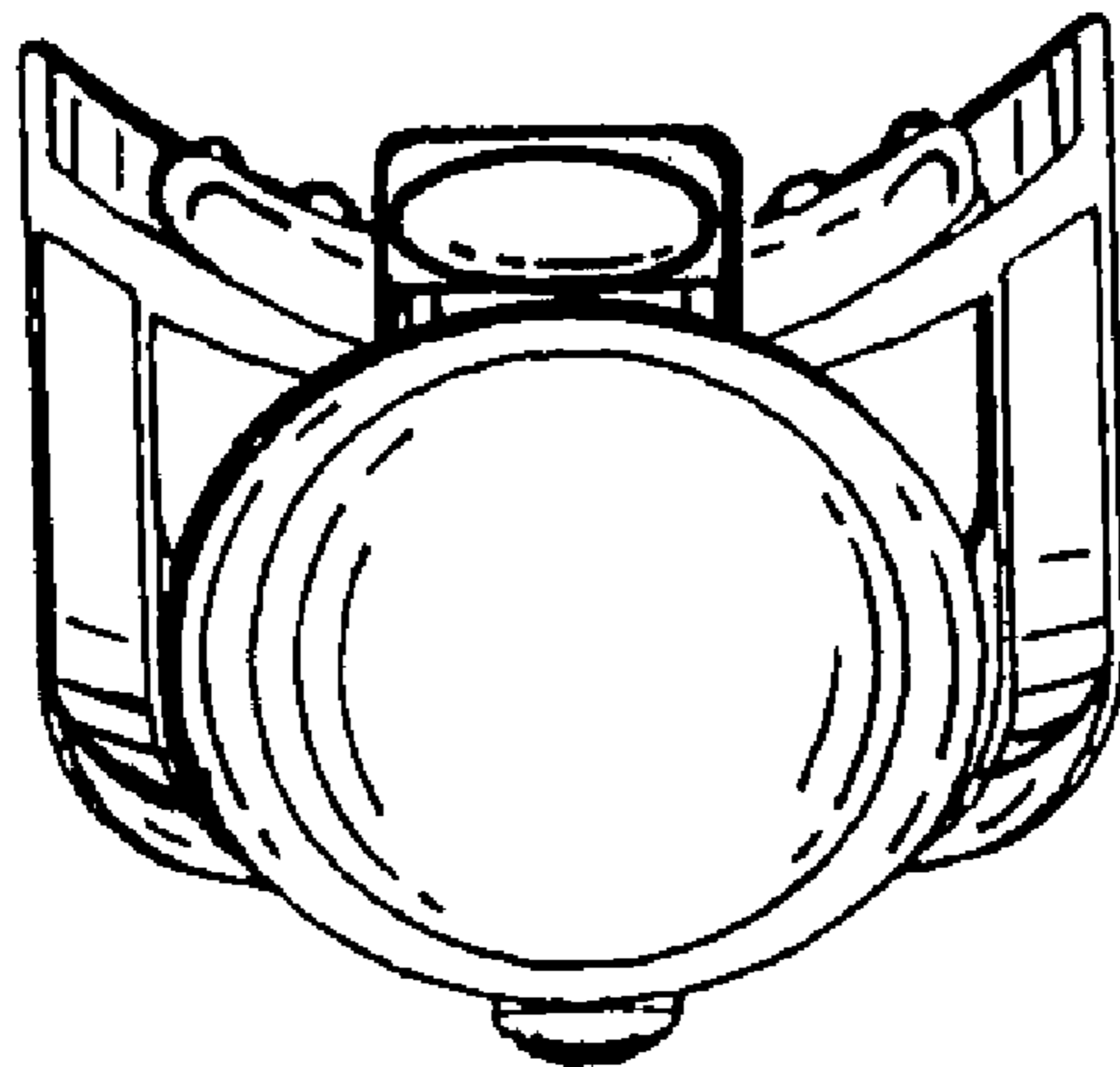


Fig. 2



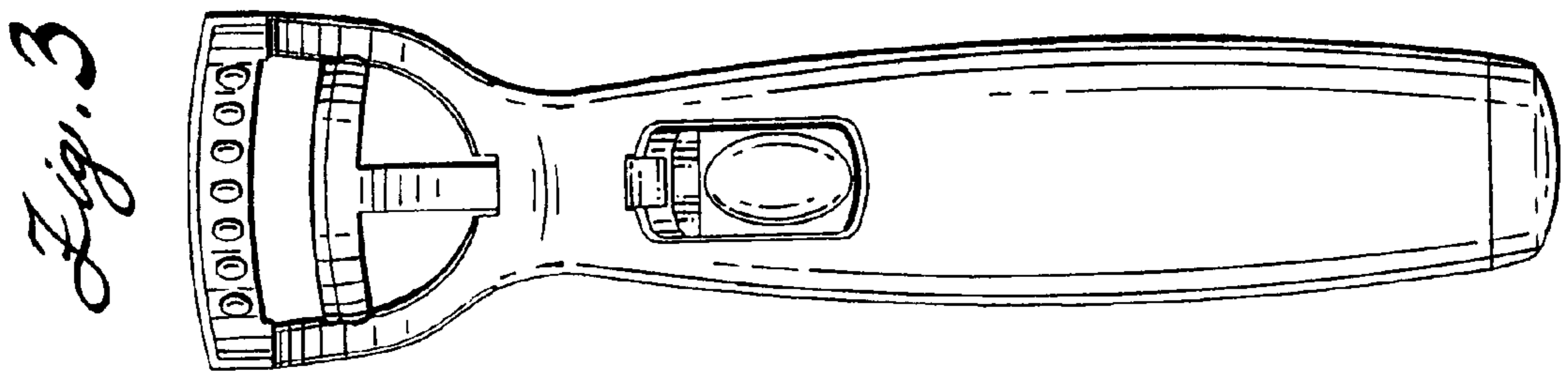
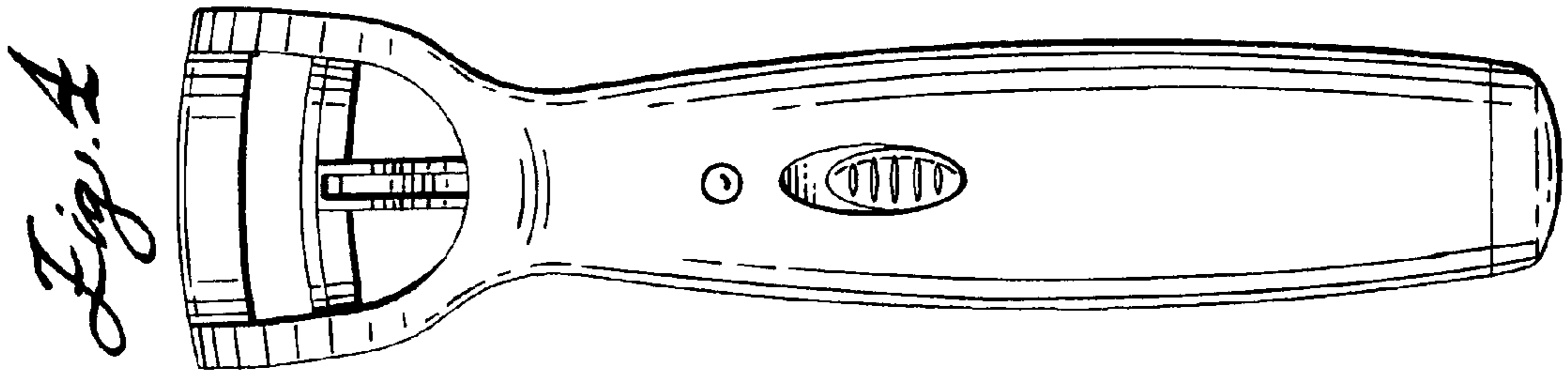


Fig. 6

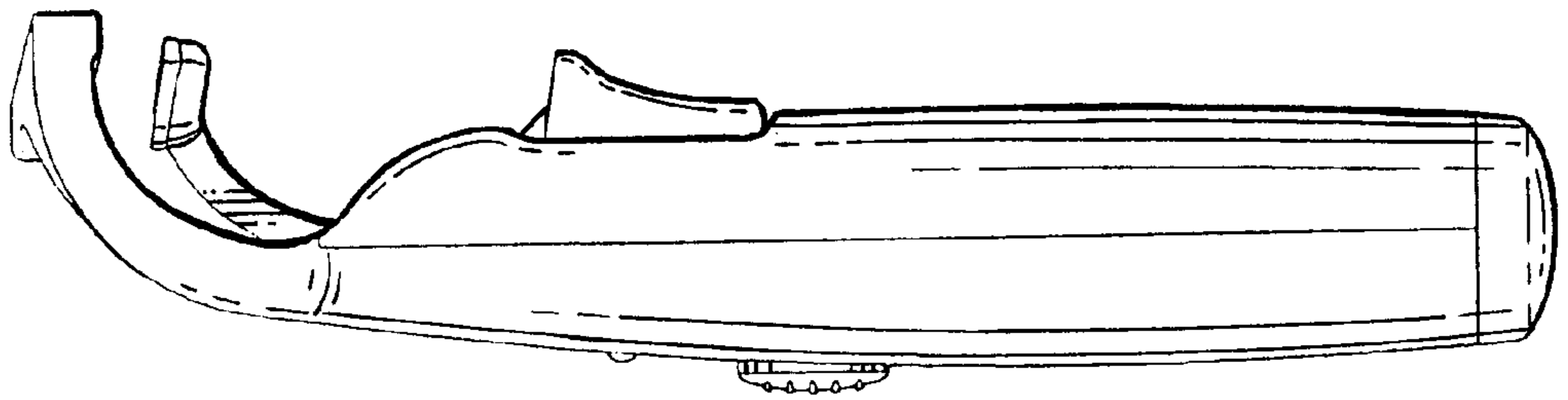


Fig. 5

