



US00D439010S

(12) **United States Design Patent**
Sogaro

(10) **Patent No.:** **US D439,010 S**

(45) **Date of Patent:** **** Mar. 13, 2001**

(54) **SUBSTANCE APPLICATOR CONTAINER**

(75) Inventor: **Alberto C. Sogaro, Kronberg (DE)**

(73) Assignee: **Dentaco Dentalindustrie und Marketing GmbH, Homburg (DE)**

(**) Term: **14 Years**

(21) Appl. No.: **29/120,888**

(22) Filed: **Mar. 28, 2000**

(30) **Foreign Application Priority Data**

Nov. 17, 1999 (DE) 4 99 10 831

(51) **LOC (7) Cl.** **28-02**

(52) **U.S. Cl.** **D28/7**

(58) **Field of Search** D28/7; 132/73;
D4/116; D9/300, 338, 546, 529, 548, 561,
568, 574; 401/129

(56) **References Cited**

U.S. PATENT DOCUMENTS

D. 274,008 * 5/1984 Cassai et al. D28/7

D. 352,248 * 11/1994 McIlvain et al. D9/574
D. 357,625 * 4/1995 Pascolini D9/300
D. 387,909 * 12/1997 Mattson D4/116
2,865,384 * 12/1958 Noon 132/73

* cited by examiner

Primary Examiner—Paula A. Mortimer

(74) *Attorney, Agent, or Firm*—Quarles & Brady LLP

(57) **CLAIM**

The ornamental design for a substance applicator container, as shown and described.

DESCRIPTION

FIG. 1 is a front elevational view of a substance applicator container showing my new design;

FIG. 2 is a left side elevational view, the right side is a mirror image;

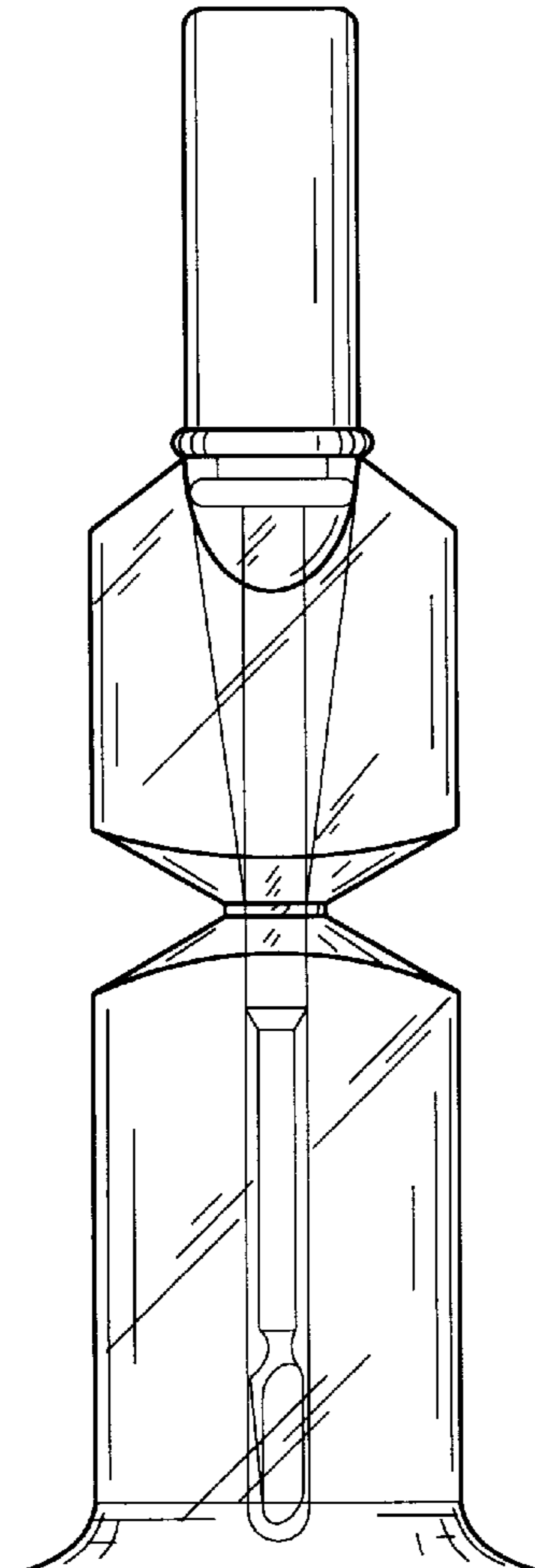
FIG. 3 is a bottom plan view thereof;

FIG. 4 is a top plan view thereof; and,

FIG. 5 is a perspective view thereof.

The broken lines are for illustrative purposes only and form no part of the claimed design.

1 Claim, 1 Drawing Sheet



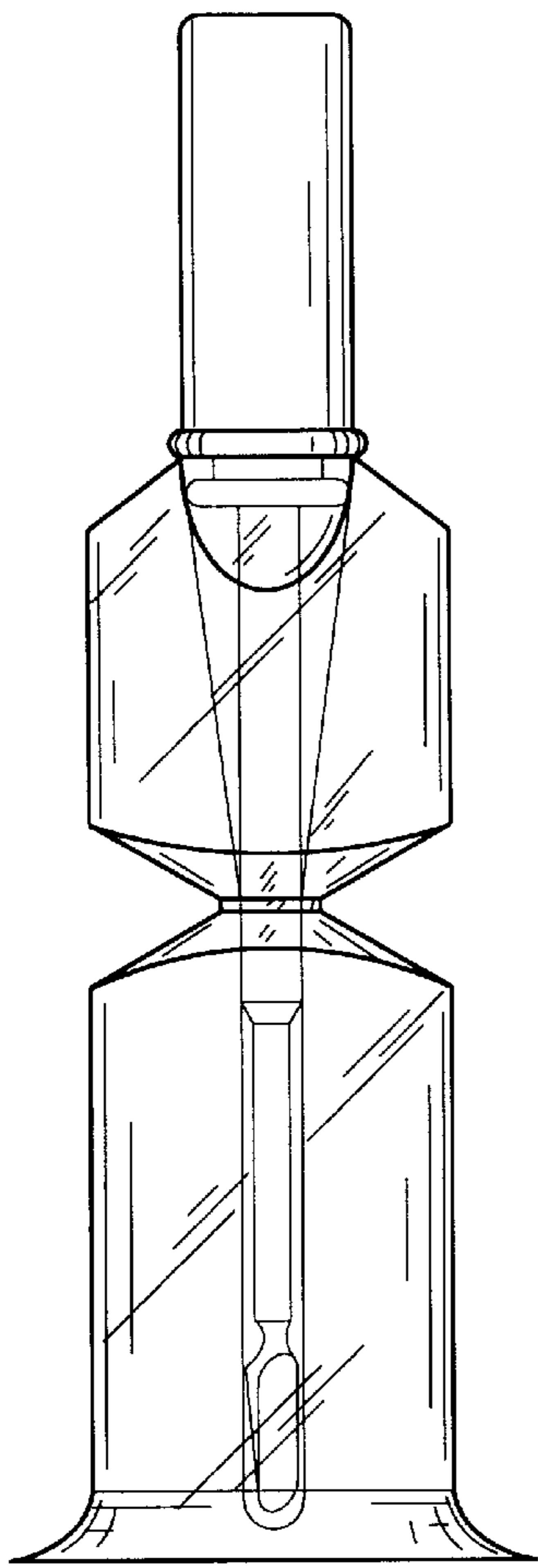


FIG. 1

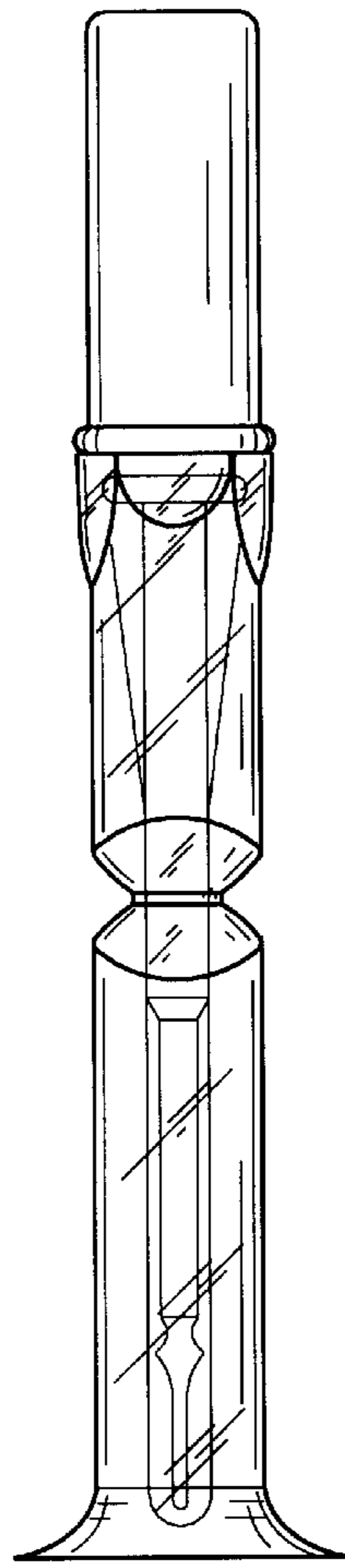


FIG. 2

FIG. 3

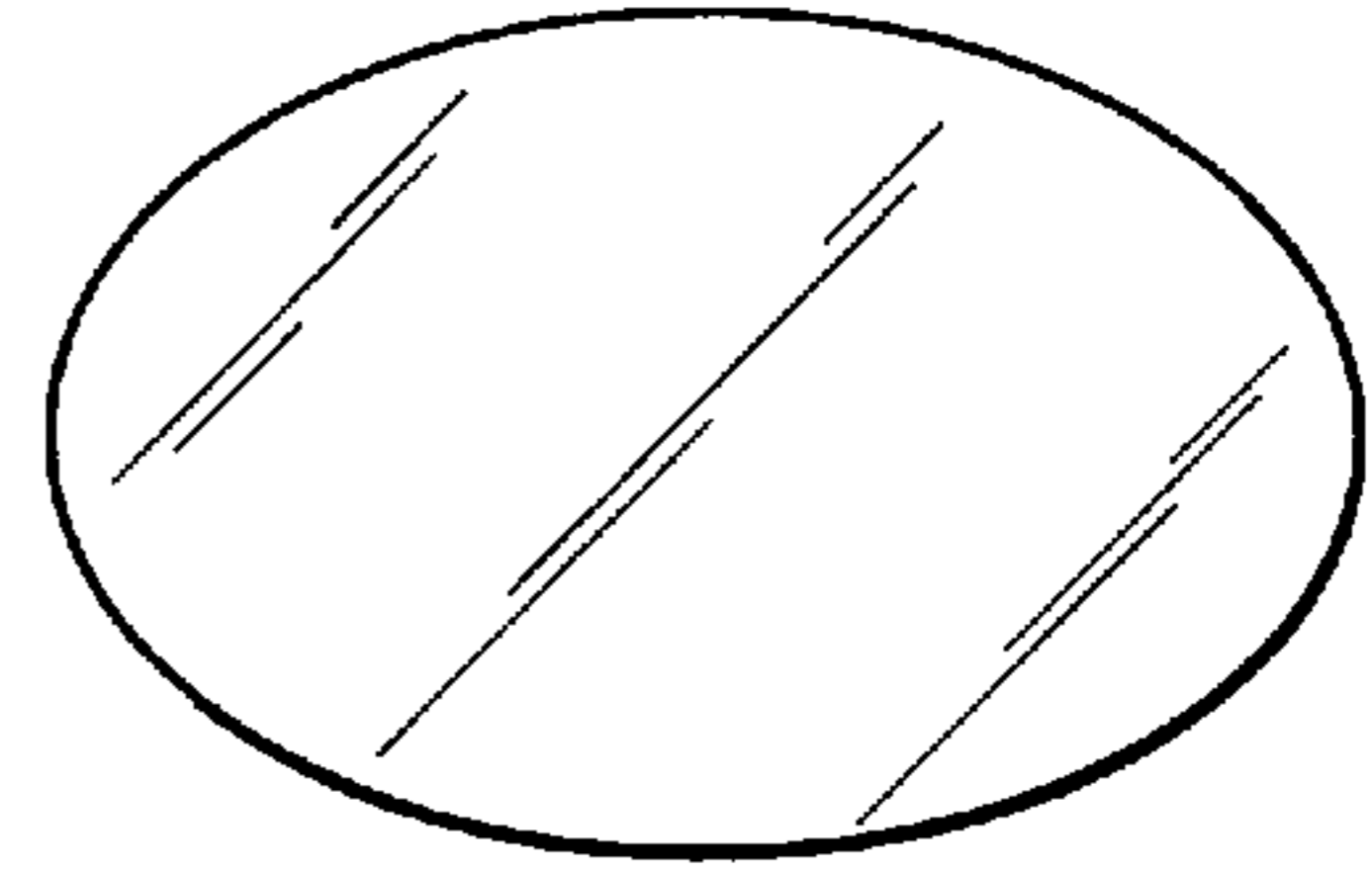


FIG. 4

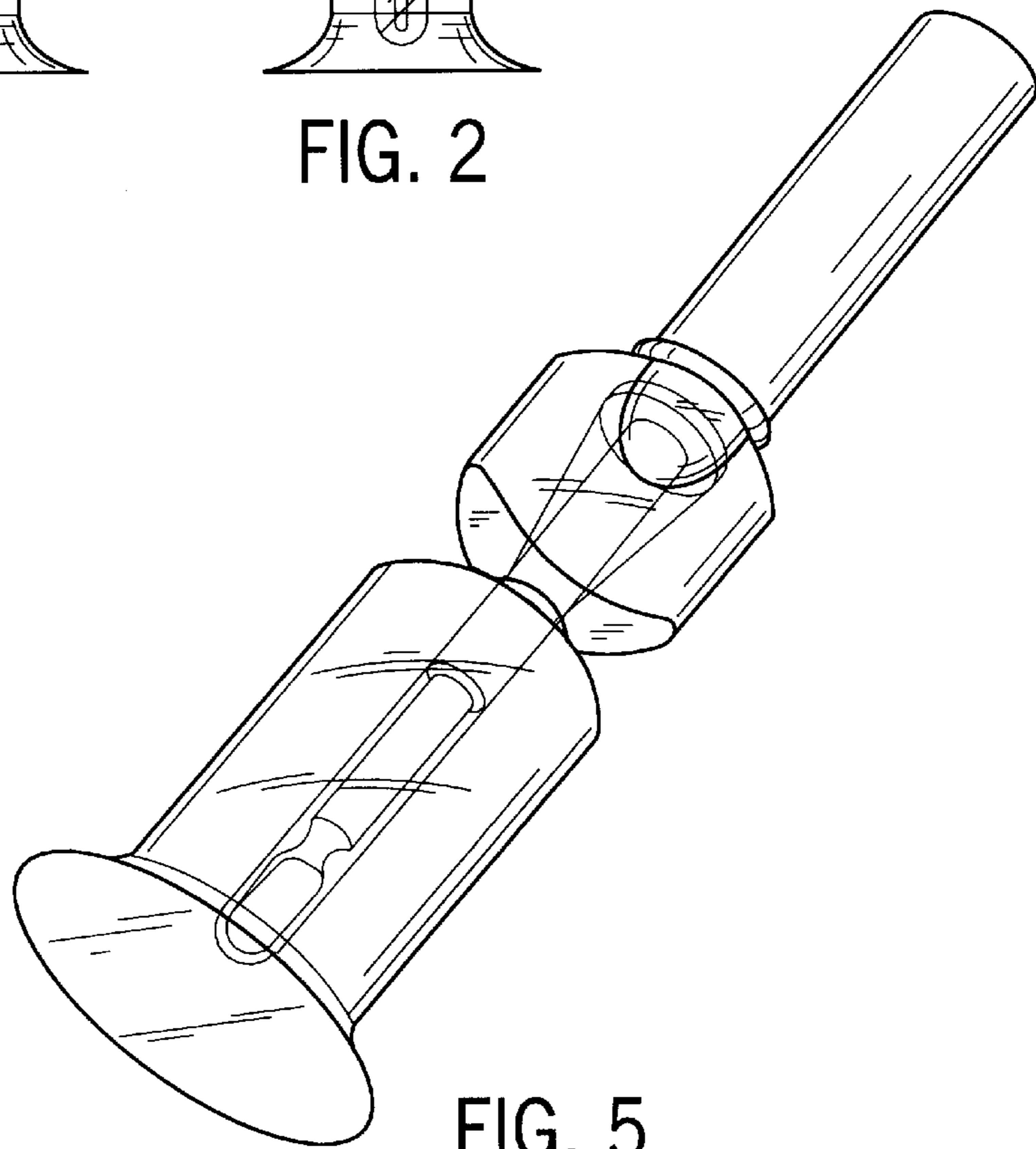
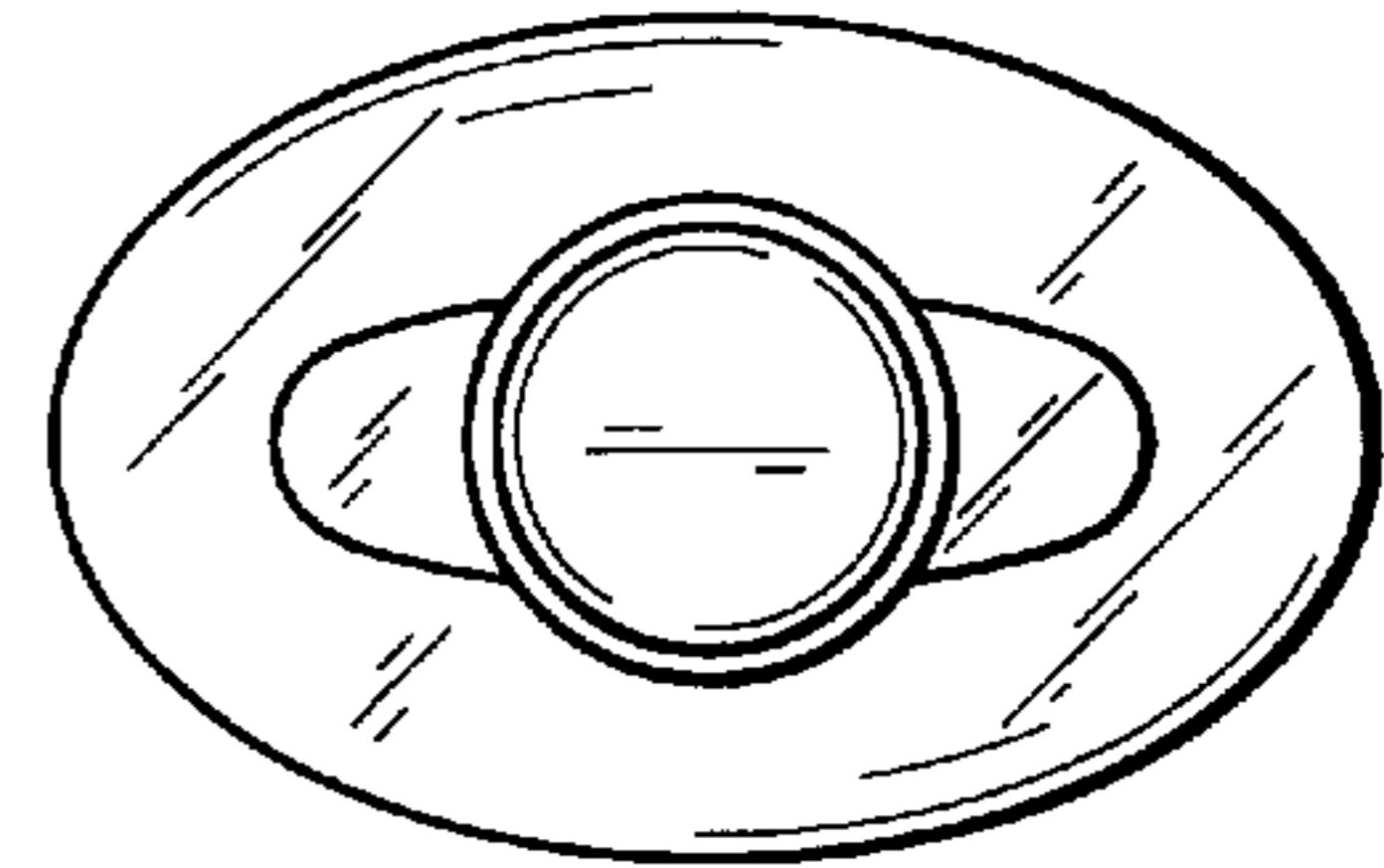


FIG. 5