



US00D439003S

(12) **United States Design Patent**
Hsu

(10) **Patent No.:** **US D439,003 S**

(45) **Date of Patent:** **** Mar. 13, 2001**

(54) **WALL LAMP**

(75) Inventor: **Peter Hsu**, Taichung (TW)

(73) Assignee: **Whole Bright Industries Limited**,
Chai Wan (HK)

(**) Term: **14 Years**

(21) Appl. No.: **29/120,733**

(22) Filed: **Mar. 27, 2000**

(51) **LOC (7) Cl.** **26-03**

(52) **U.S. Cl.** **D26/87**

(58) **Field of Search** D26/72-92, 141-145,
D26/155; 362/404-408, 147, 432

(56) **References Cited**

U.S. PATENT DOCUMENTS

D. 414,288 * 9/1999 Littman et al. D26/87

OTHER PUBLICATIONS

Home Lighting & Accessories, double wall lamp fixture on
p. 68, Feb. 1997.*

Home Lighting & Accessories, Crystorama Lighting unit
882 on p. 191, Dec. 1997.*

Home Lighting & Accessories, double wall lamp fixture on
p. 81, Mar. 1996.*

Home Lighting & Accessories, double wall lamp fixture on
p. 68, Feb. 1998.*

* cited by examiner

Primary Examiner—Marcus A. Jackson

Assistant Examiner—Linda Brooks

(74) *Attorney, Agent, or Firm*—Rosenberg, Klein & Lee

(57) **CLAIM**

The ornamental design for a wall lamp, as shown and
described.

DESCRIPTION

FIG. 1 is a perspective view of a wall lamp showing my new
design;

FIG. 2 is a front elevation view thereof;

FIG. 3 is a rear elevation view thereof;

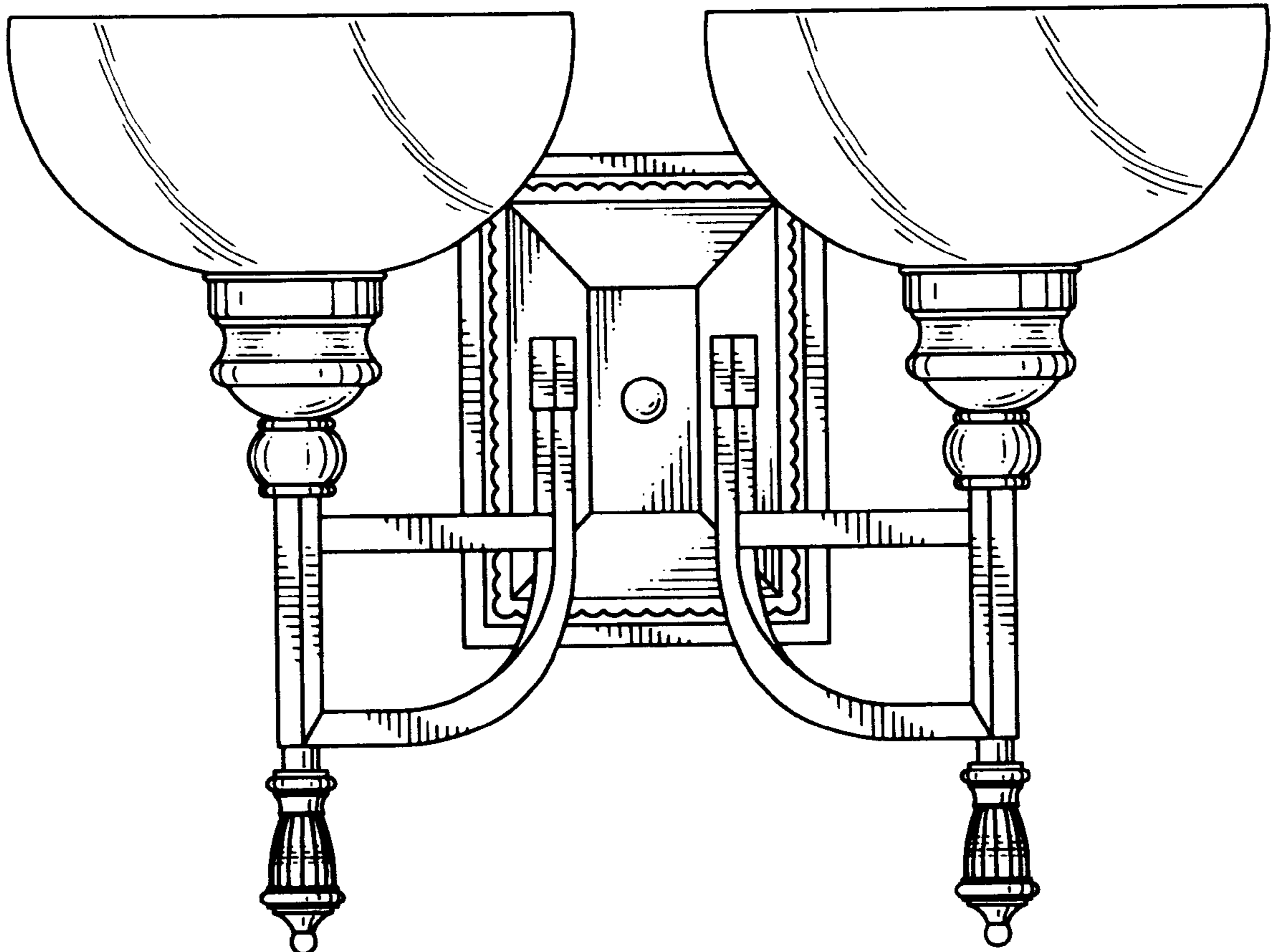
FIG. 4 is a left side elevation view thereof;

FIG. 5 is a right side elevation view thereof;

FIG. 6 is a top plan view thereof; and,

FIG. 7 is a bottom plan view thereof.

1 Claim, 4 Drawing Sheets



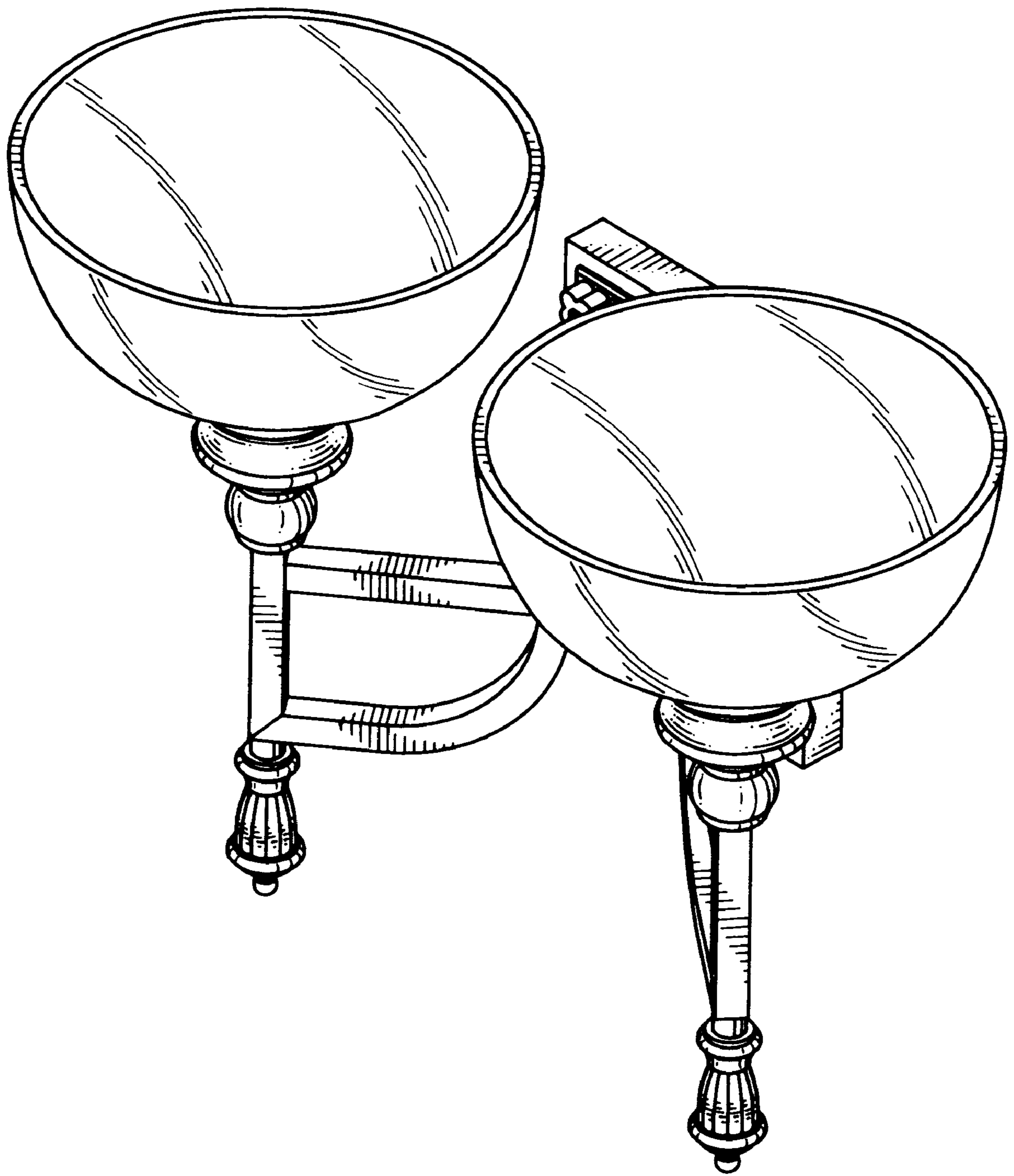


FIG. 1

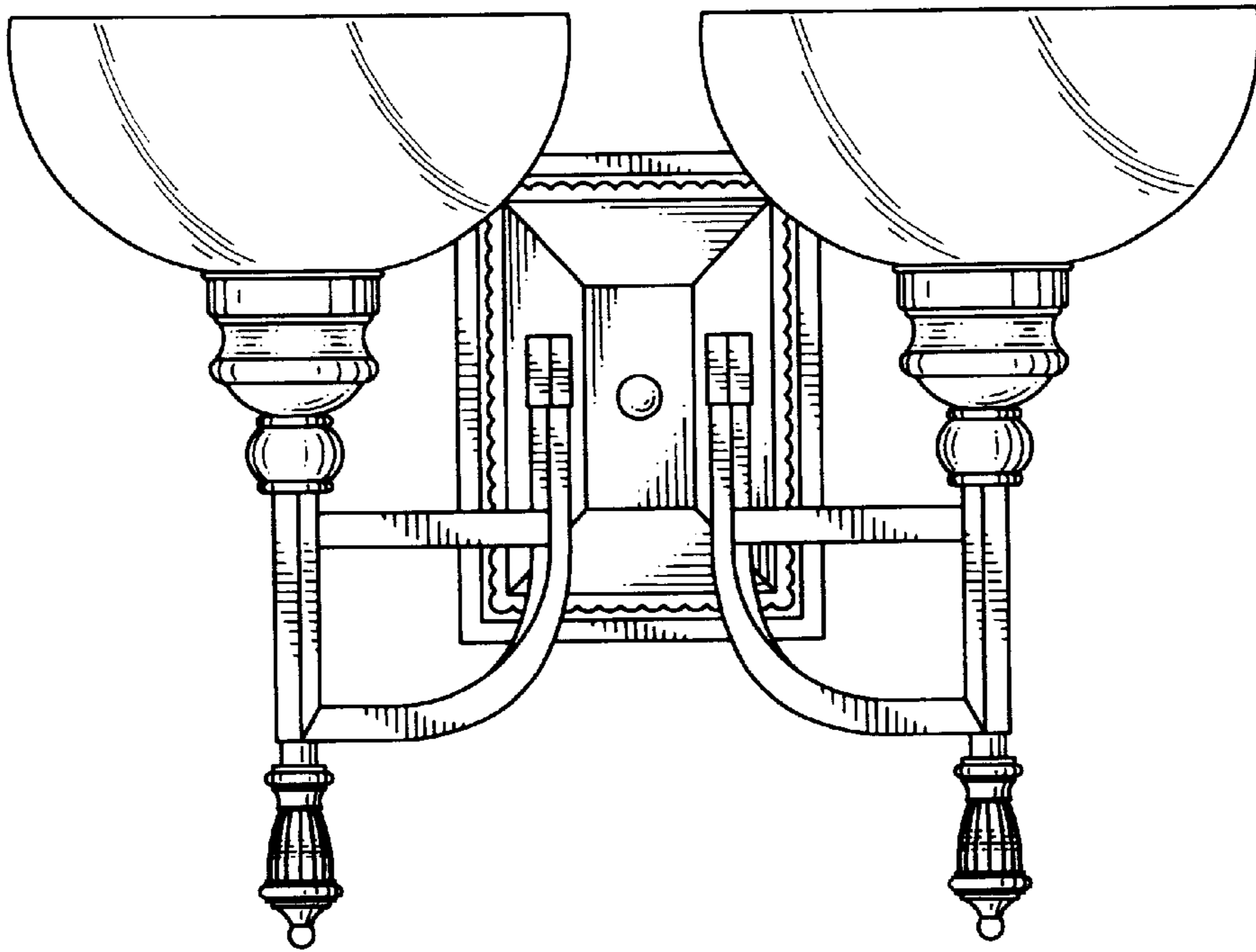


FIG. 2

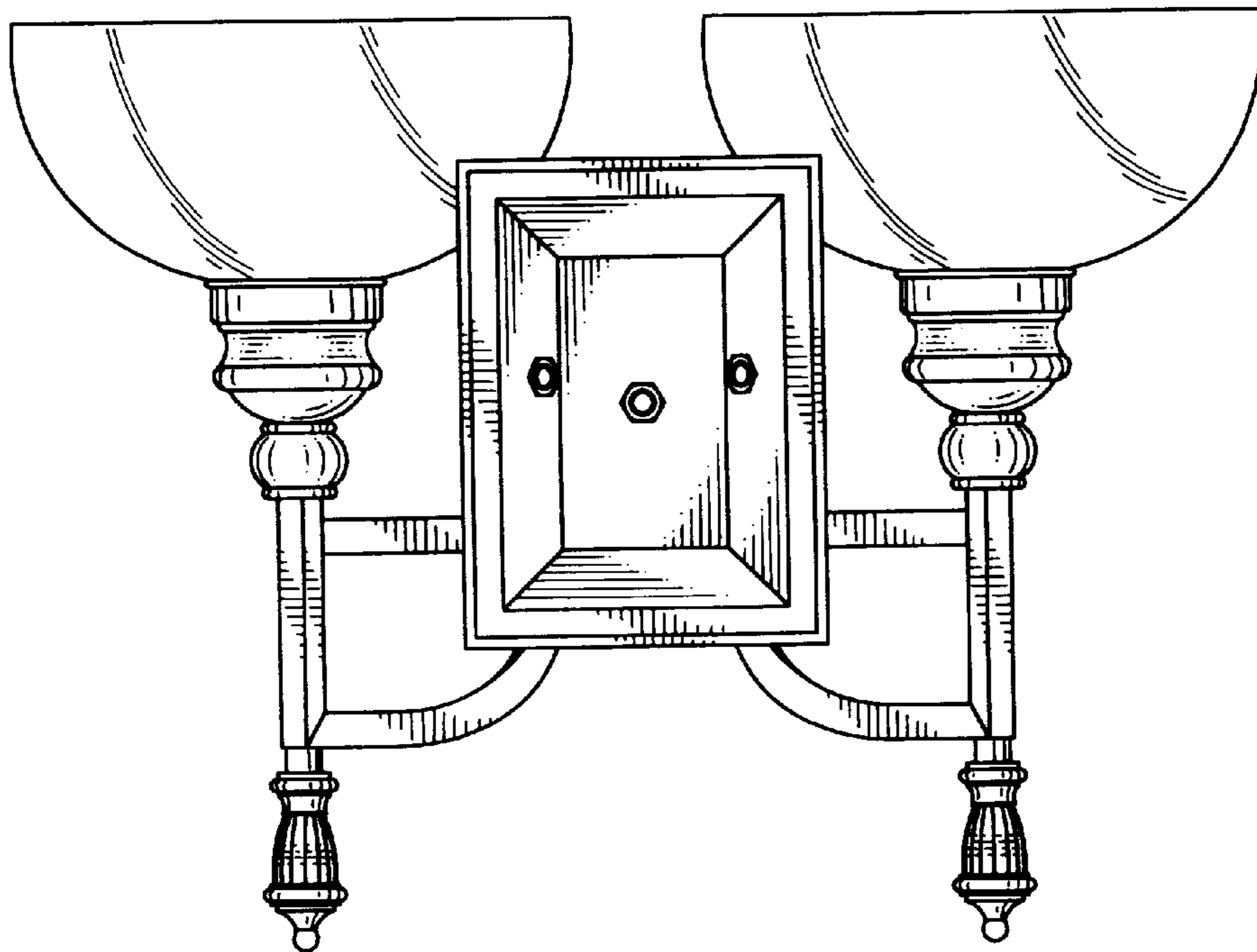


FIG. 3

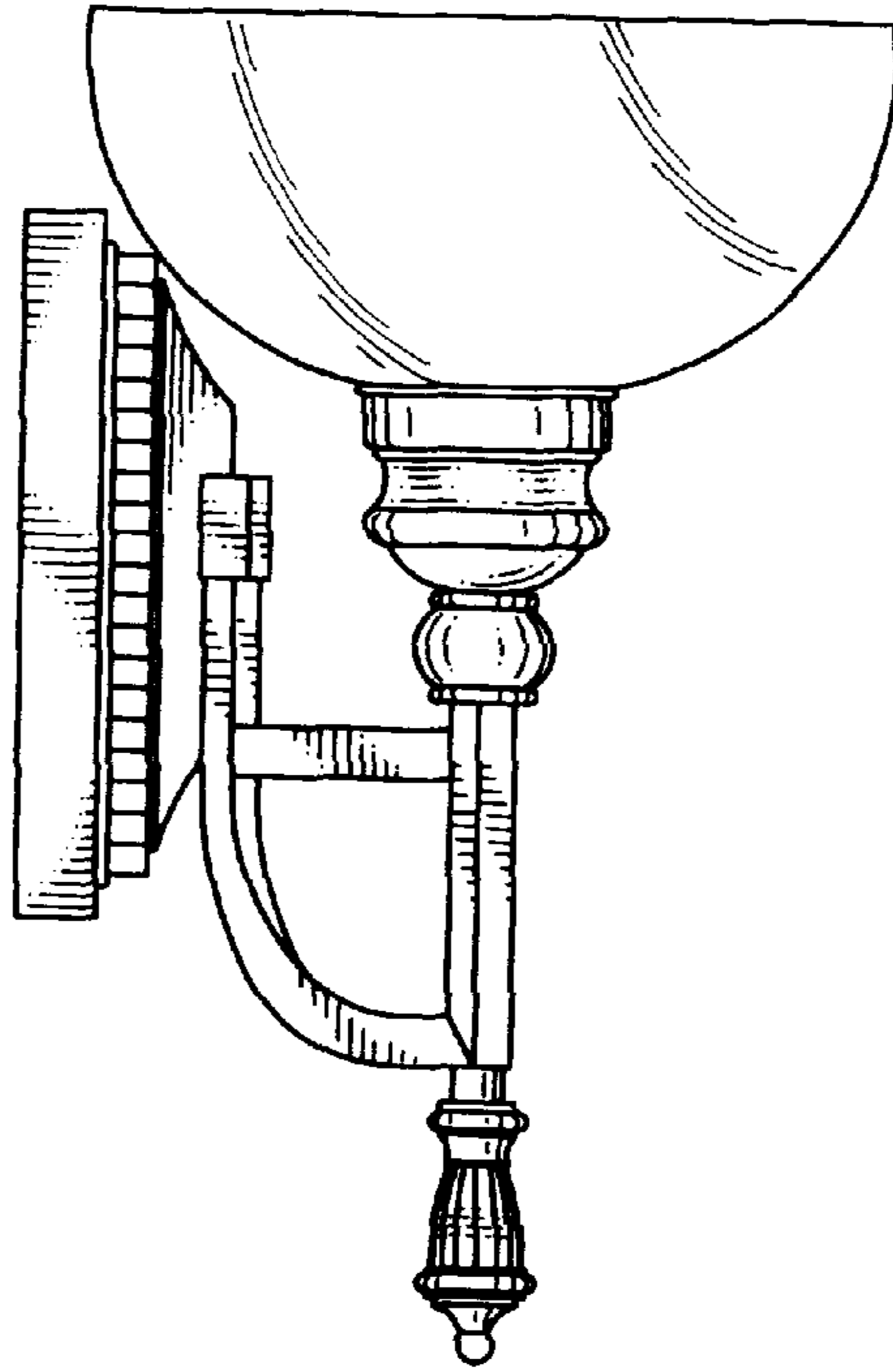


FIG. 4

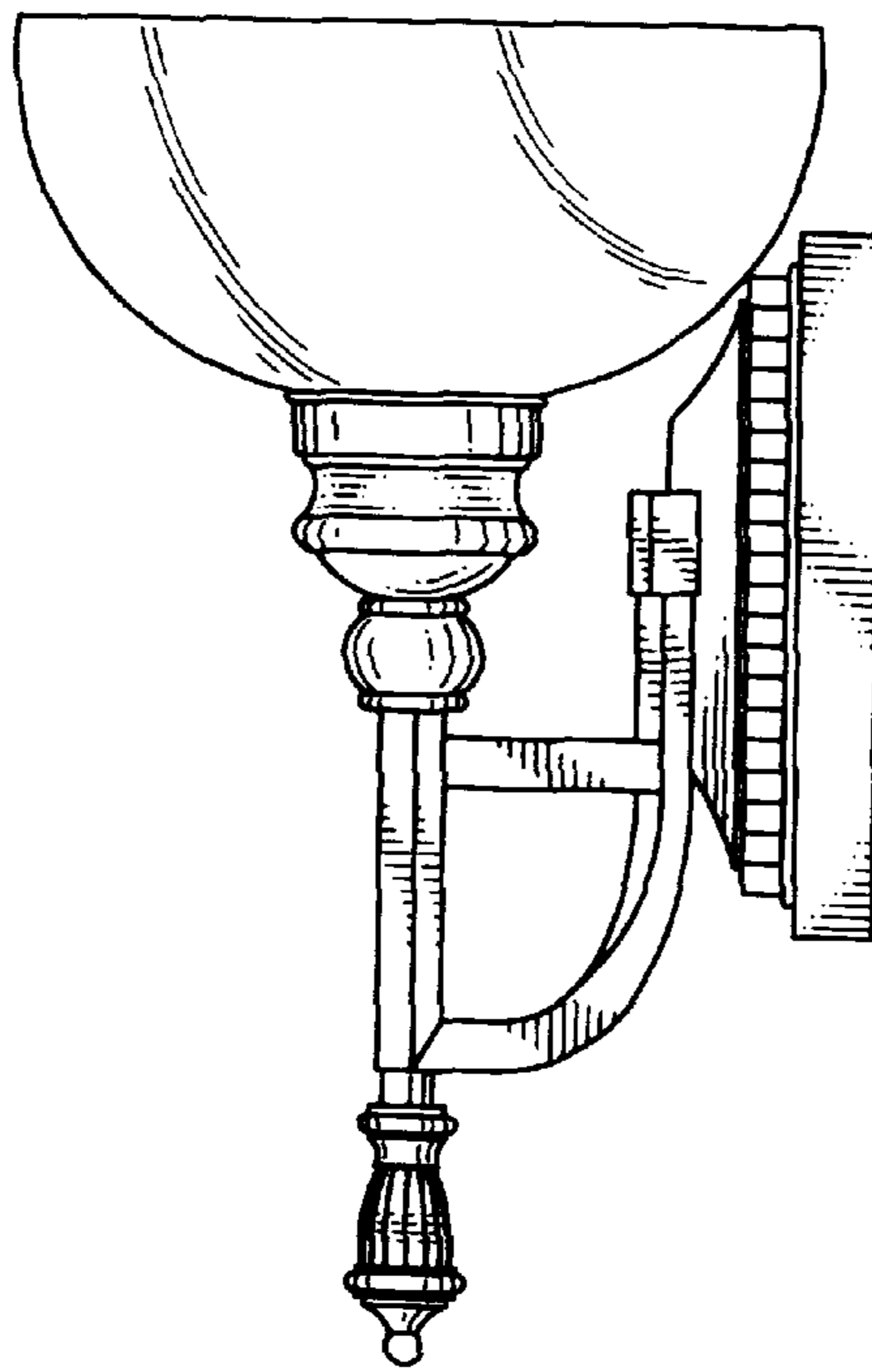


FIG. 5

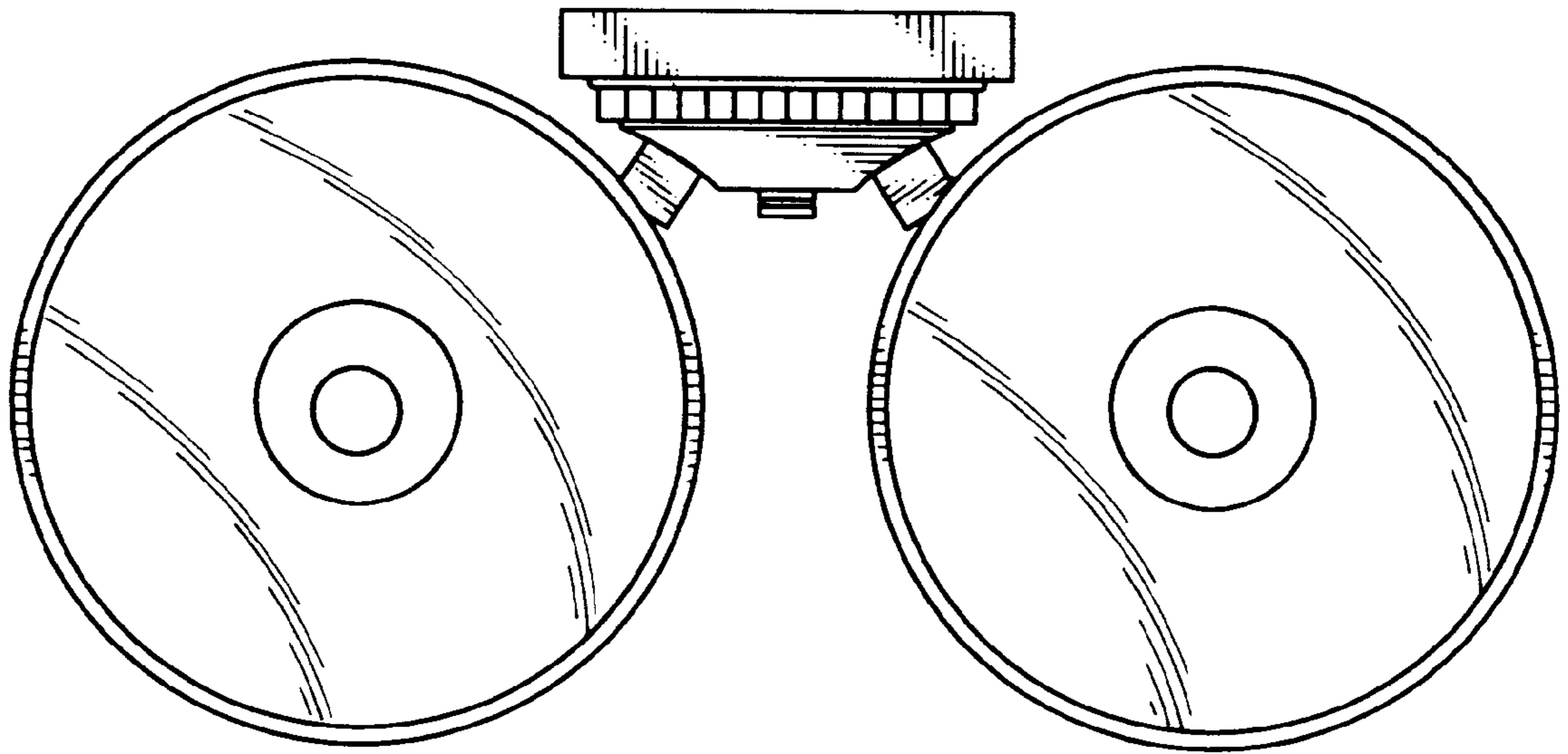


FIG. 6

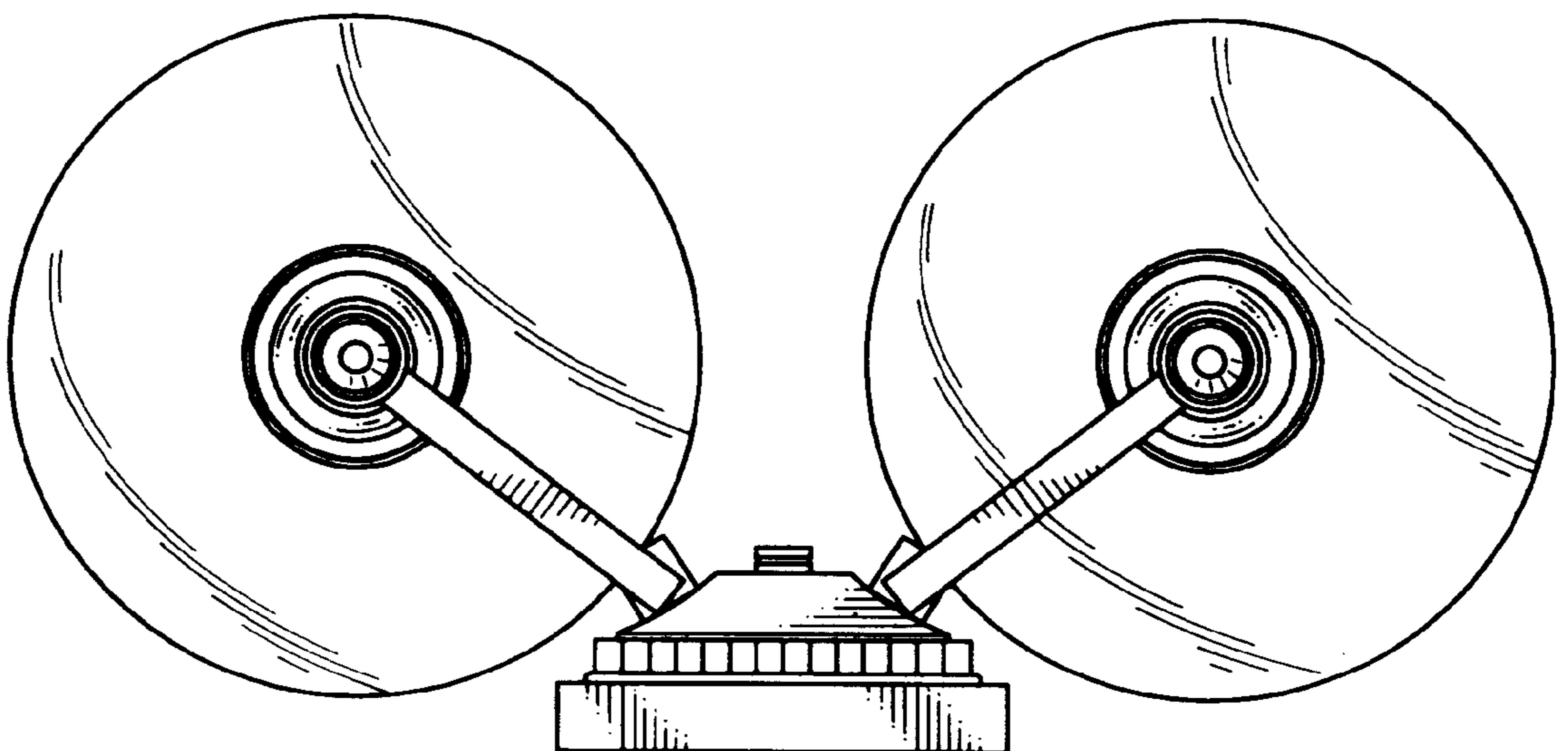


FIG. 7