



US00D439002S

(12) **United States Design Patent**
Rochon

(10) **Patent No.:** **US D439,002 S**

(45) **Date of Patent:** **** Mar. 13, 2001**

(54) **DOUBLE WALL LAMP**

(75) Inventor: **Pierre-Yves Rochon**, Paris (FR)

(73) Assignee: **Societe Pierre-Yves Rochon**, Paris (FR)

(**) Term: **14 Years**

(21) Appl. No.: **29/112,493**

(22) Filed: **Oct. 19, 1999**

(30) **Foreign Application Priority Data**

May 26, 1999 (FR) 99 2607

(51) **LOC (7) Cl.** **26-03**

(52) **U.S. Cl.** **D26/87**

(58) **Field of Search** D26/72-92; 362/404-408,
362/137, 432

(56) **References Cited**

U.S. PATENT DOCUMENTS

D. 389,265 * 1/1998 Littman et al. D26/87

OTHER PUBLICATIONS

Taiwan Lighting, lamp WH-5003 on p. 106, Aug. 1993.*
Taiwan Lighting, lamps 10396 and 10403 on p. 121, Nov. 1996.*

Taiwan Lighting, lamp 129/2 on p. 134, Nov. 1996.*
Shades of Light, lamps A and F on p. 75, 1997.*

* cited by examiner

Primary Examiner—Alan P. Douglas

Assistant Examiner—Linda Brooks

(74) *Attorney, Agent, or Firm*—Alfred M. Walker

(57) **CLAIM**

The ornamental design for a double wall lamp, as shown and described.

DESCRIPTION

FIG. 1 is a perspective view of a double wall lamp, showing my new design;

FIG. 2 is a left side elevation view thereof;

FIG. 3 is a right side elevation view thereof;

FIG. 4 is a front elevational view thereof;

FIG. 5 is a rear view thereof;

FIG. 6 is a top plan view thereof; and,

FIG. 7 is a bottom view thereof.

1 Claim, 5 Drawing Sheets

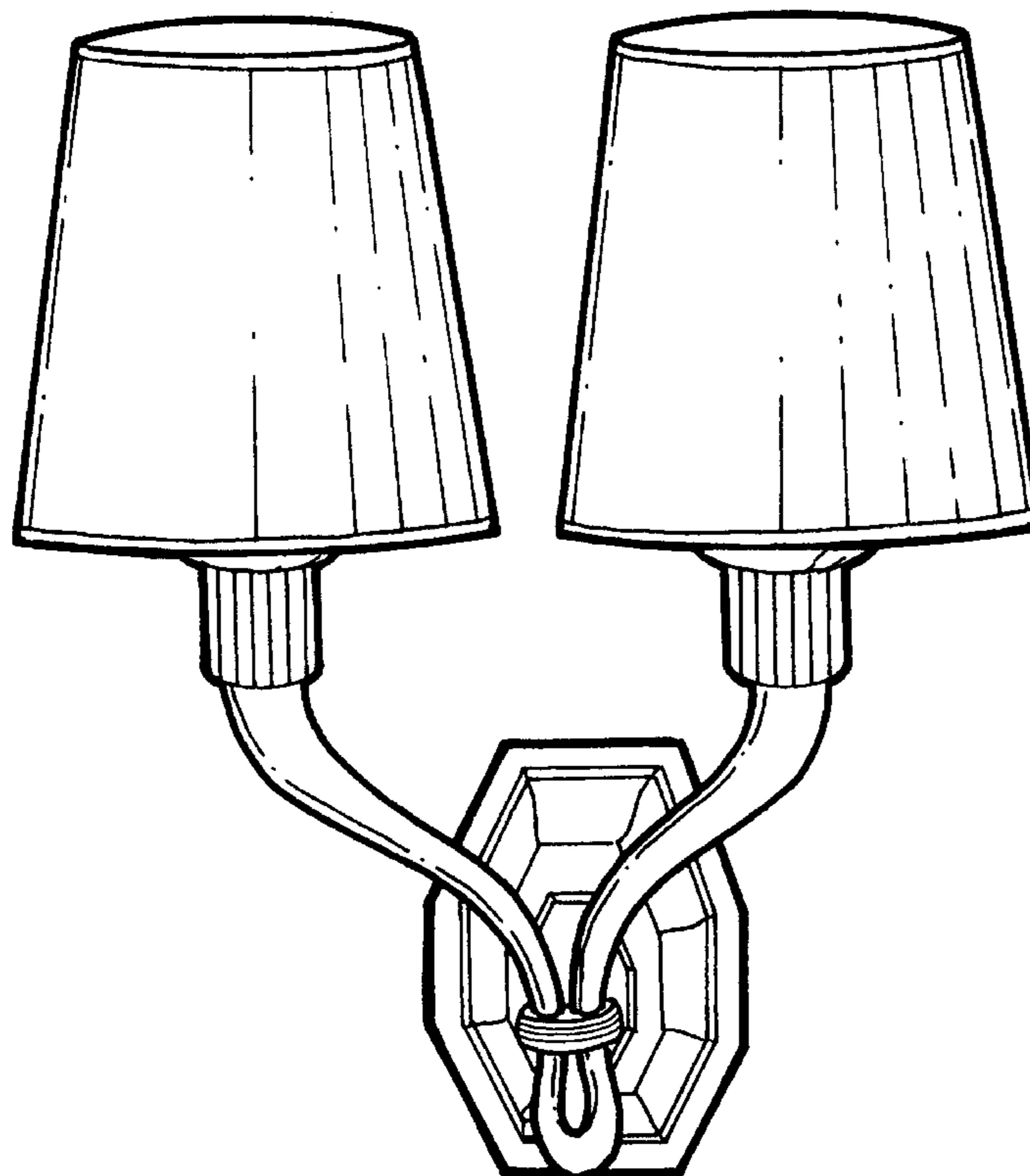


FIG. 1

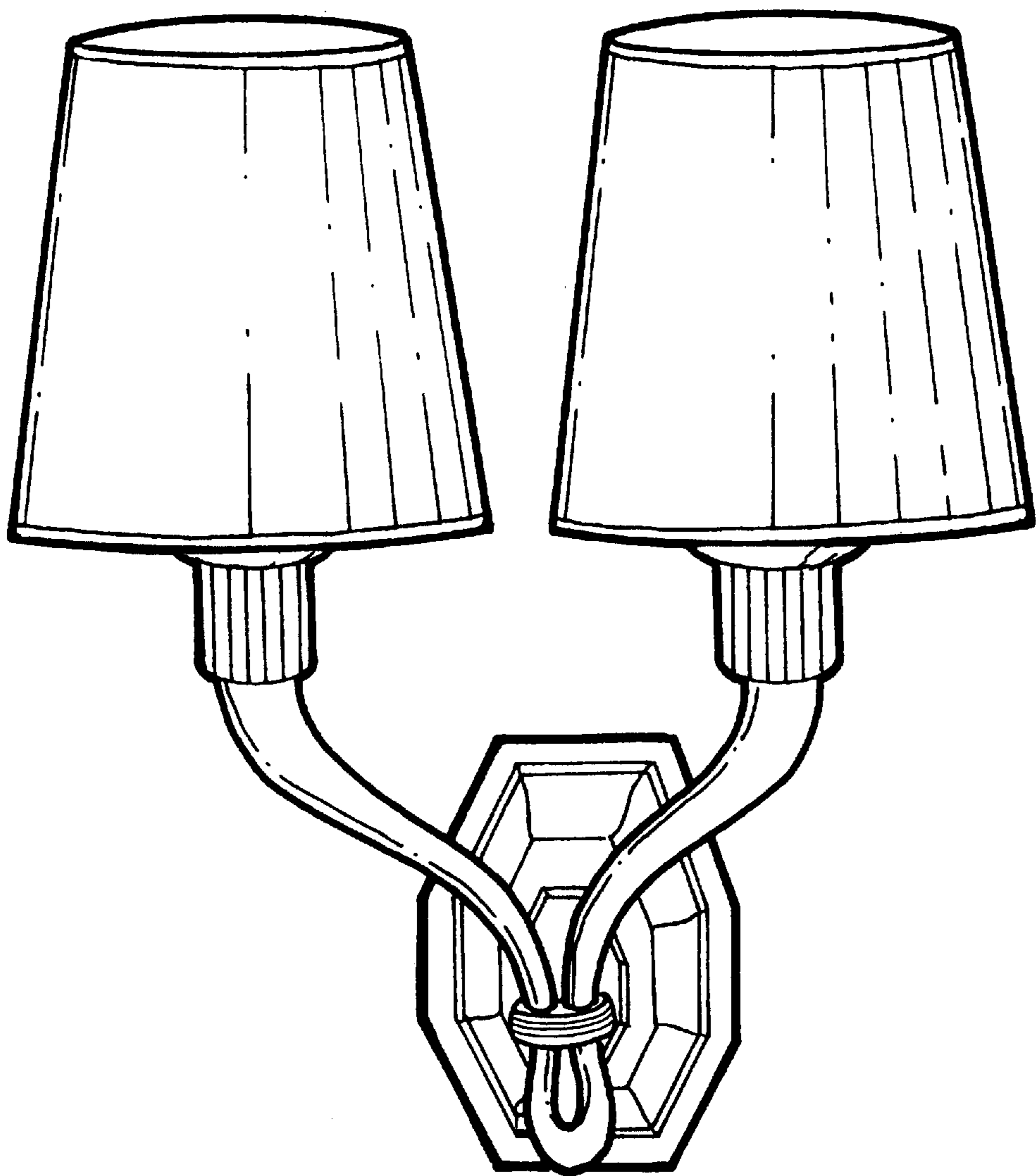


FIG.2

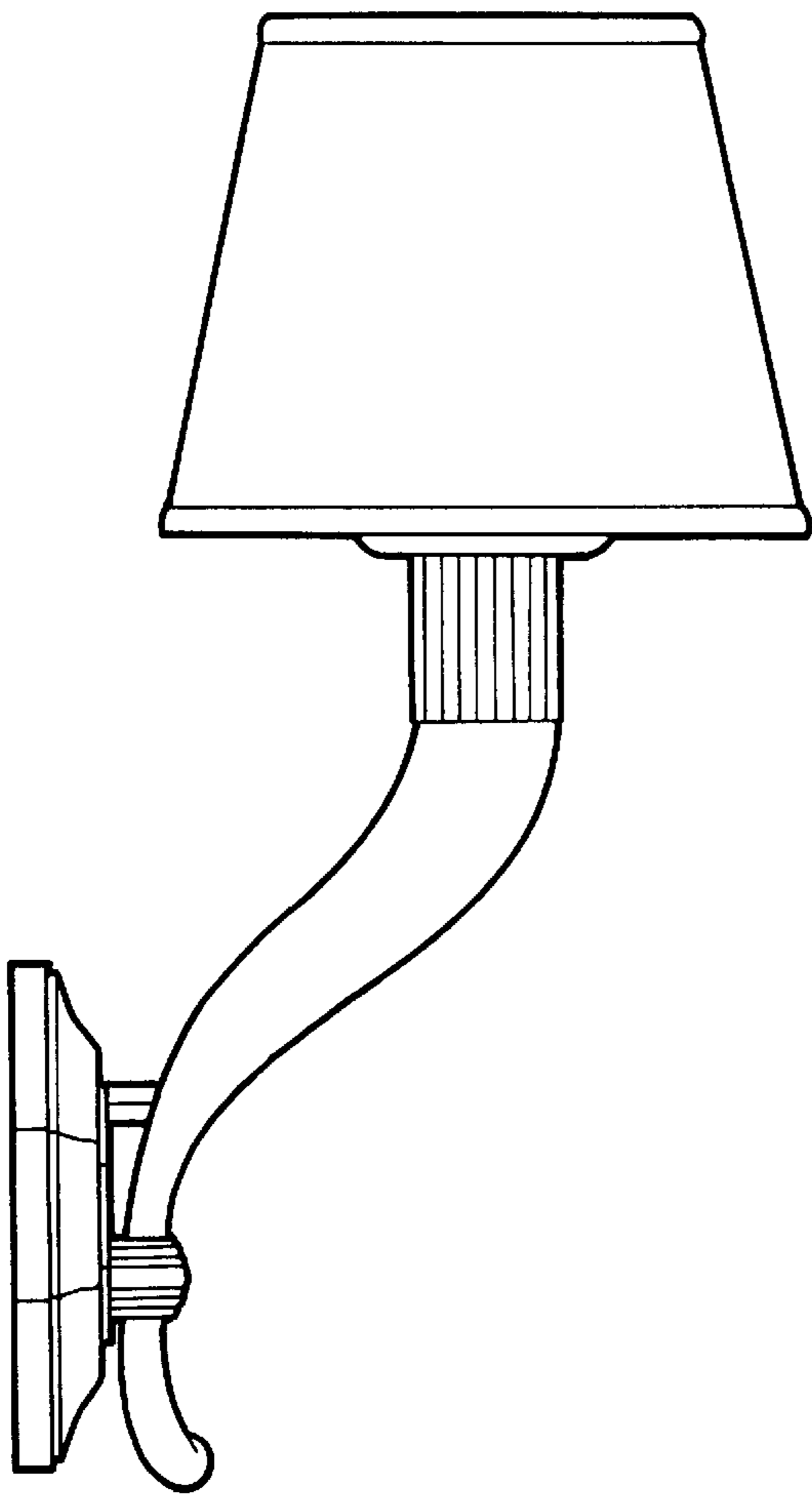


FIG.3

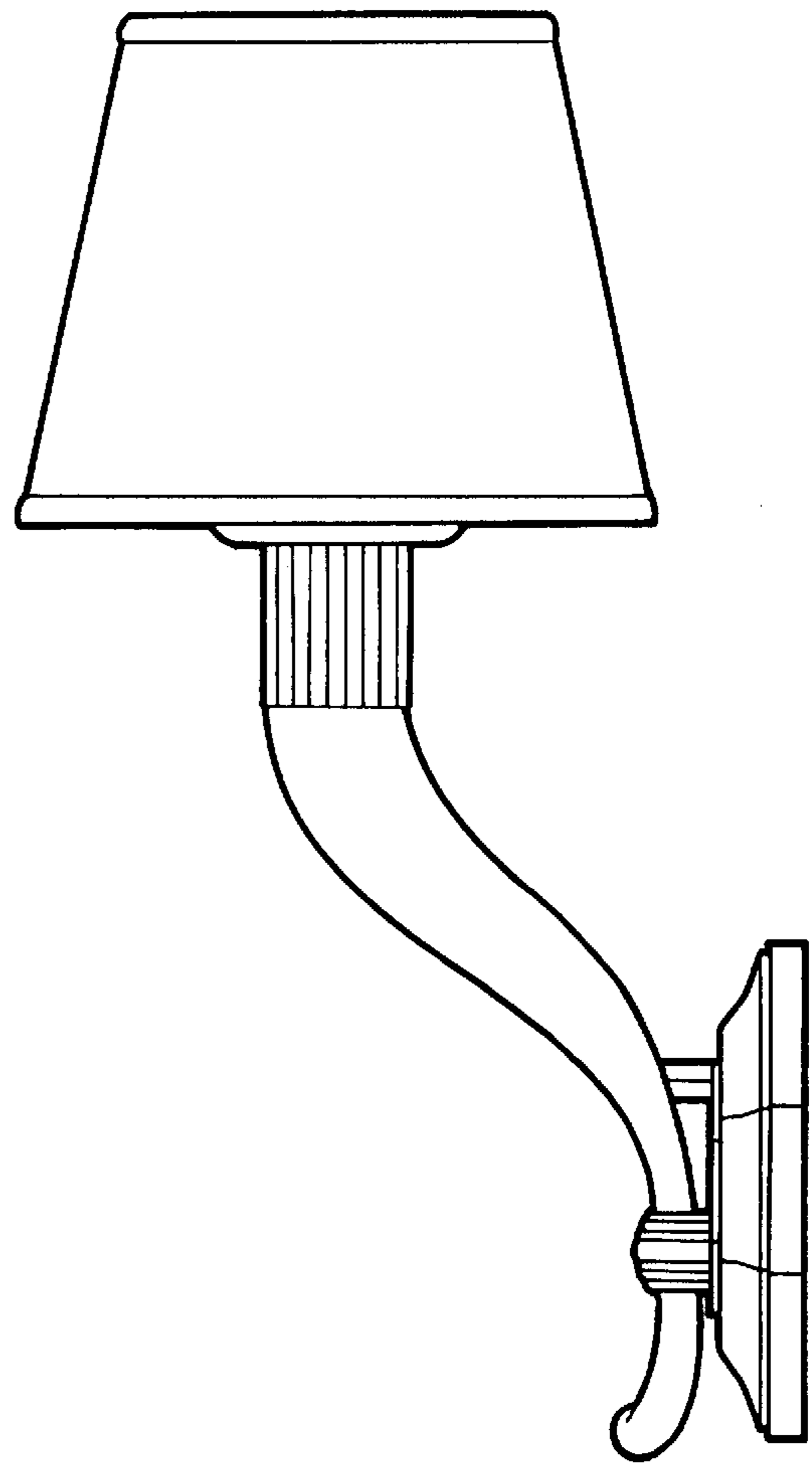


FIG. 4

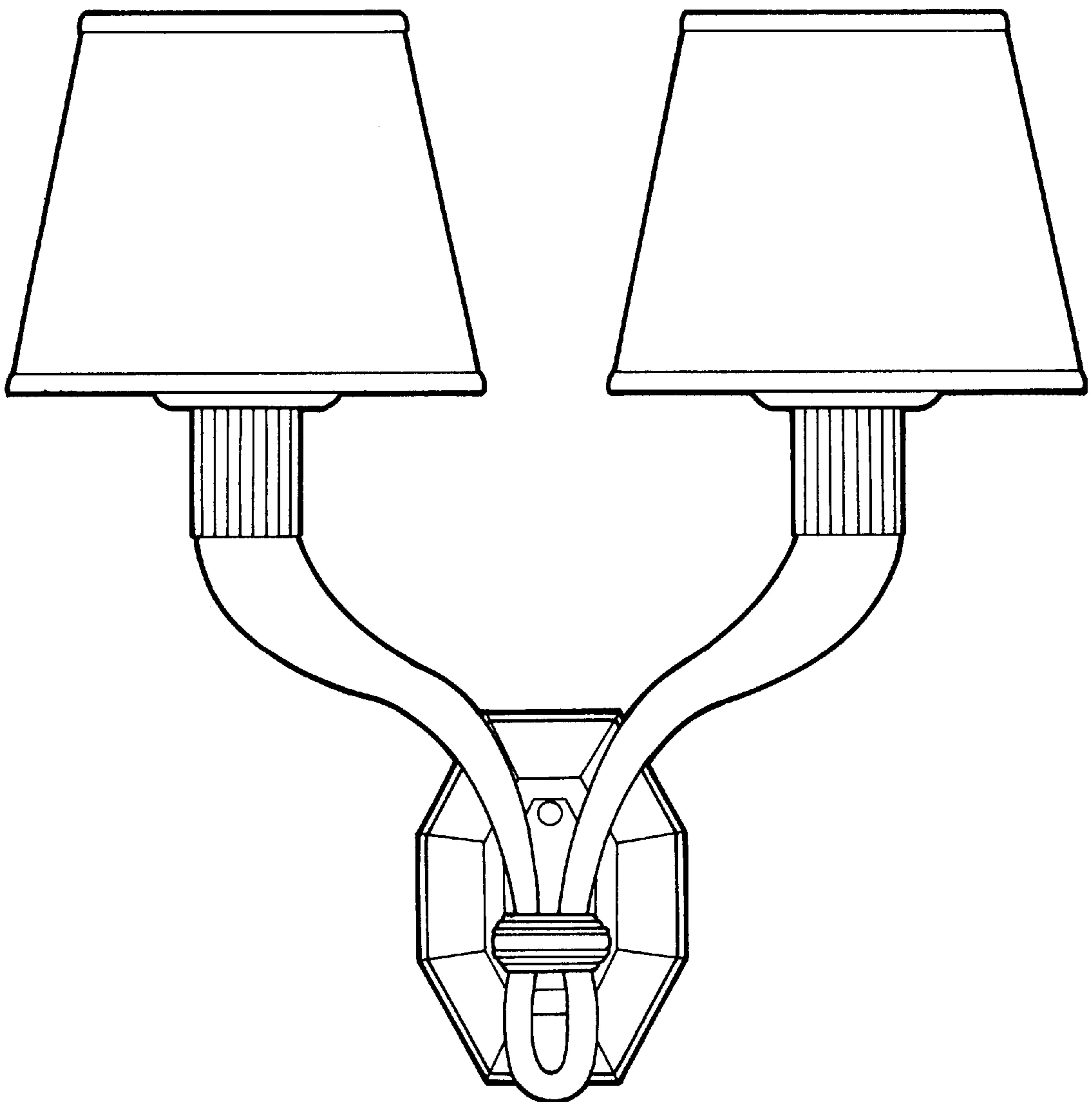


FIG. 5

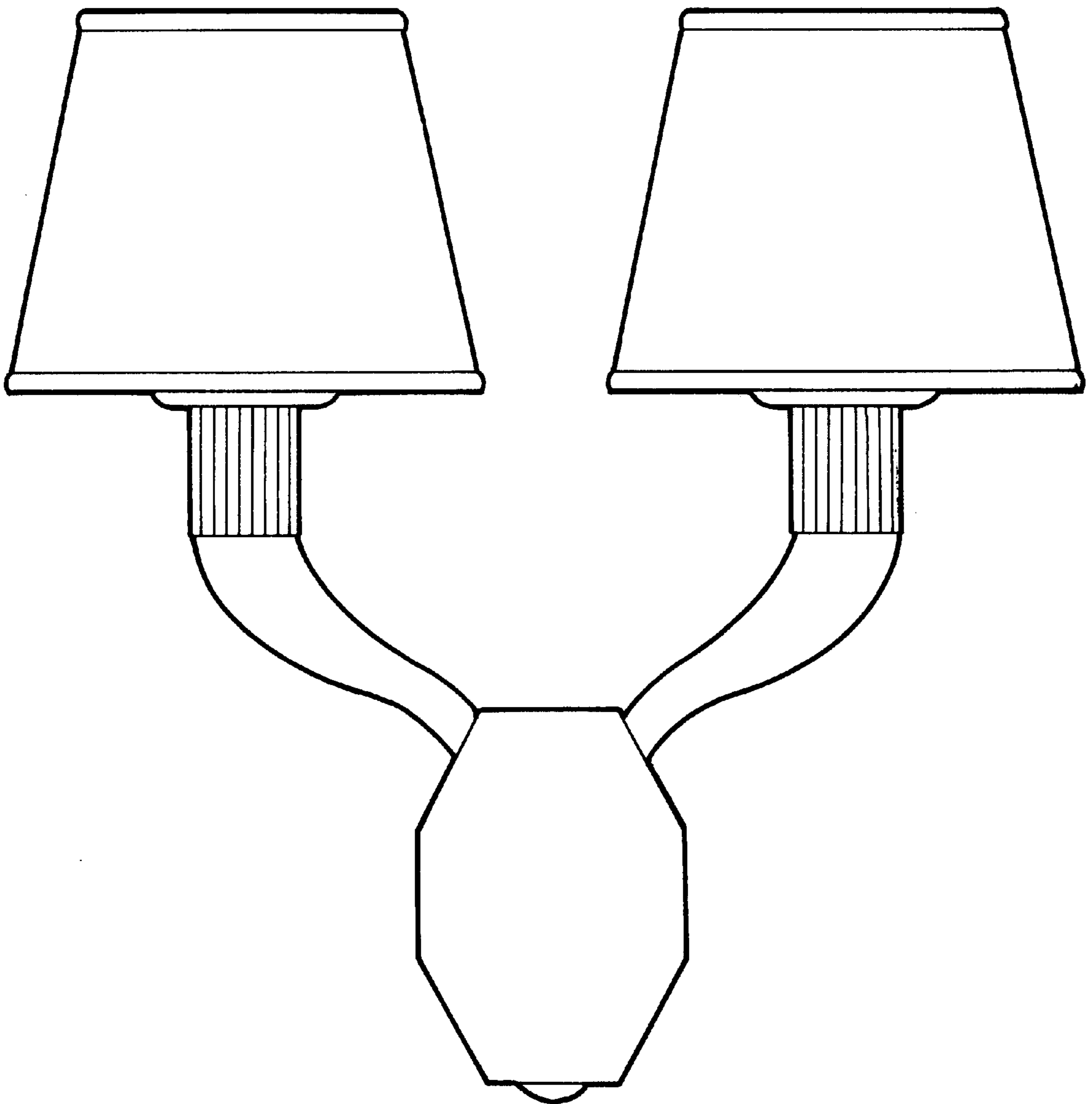


FIG. 6

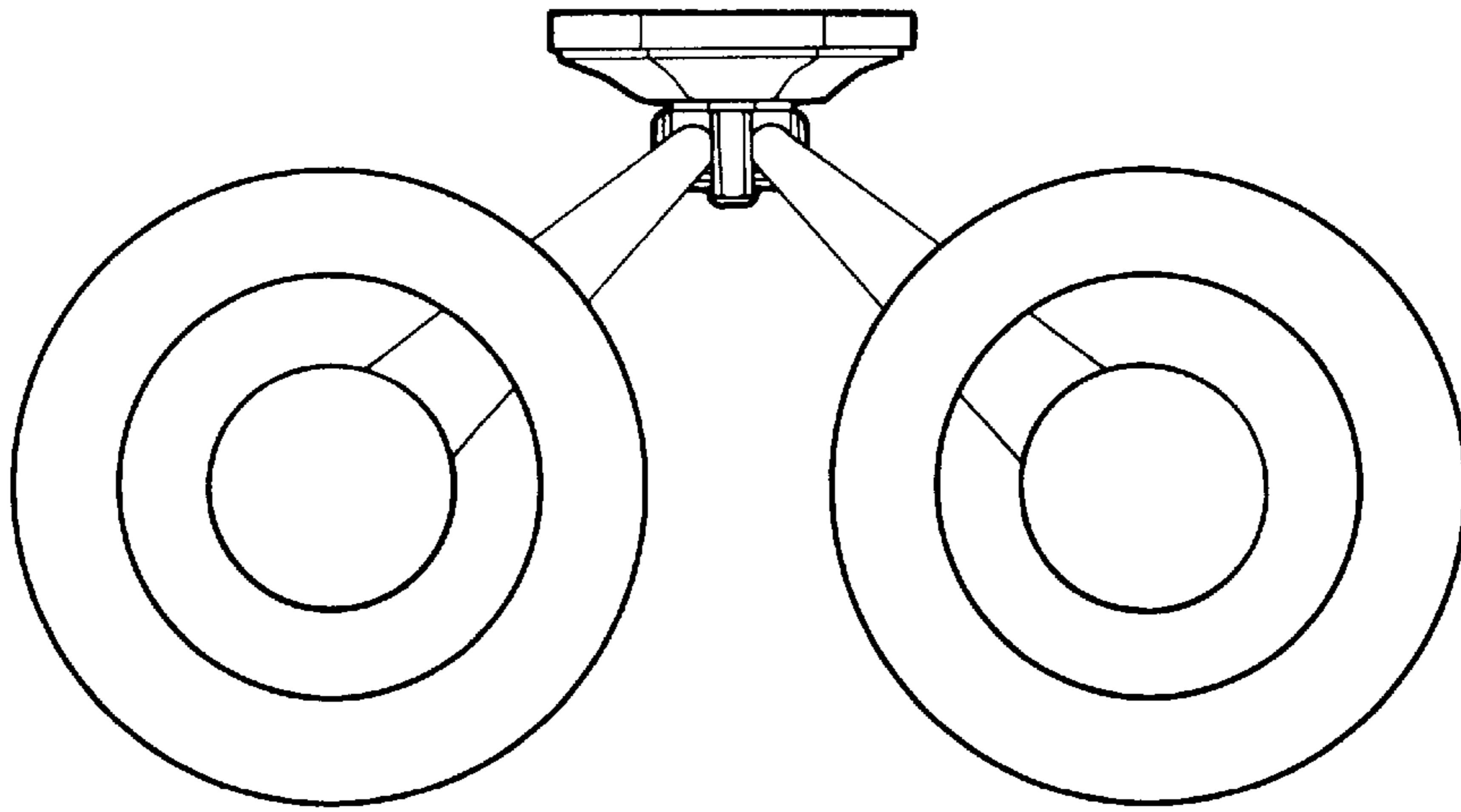
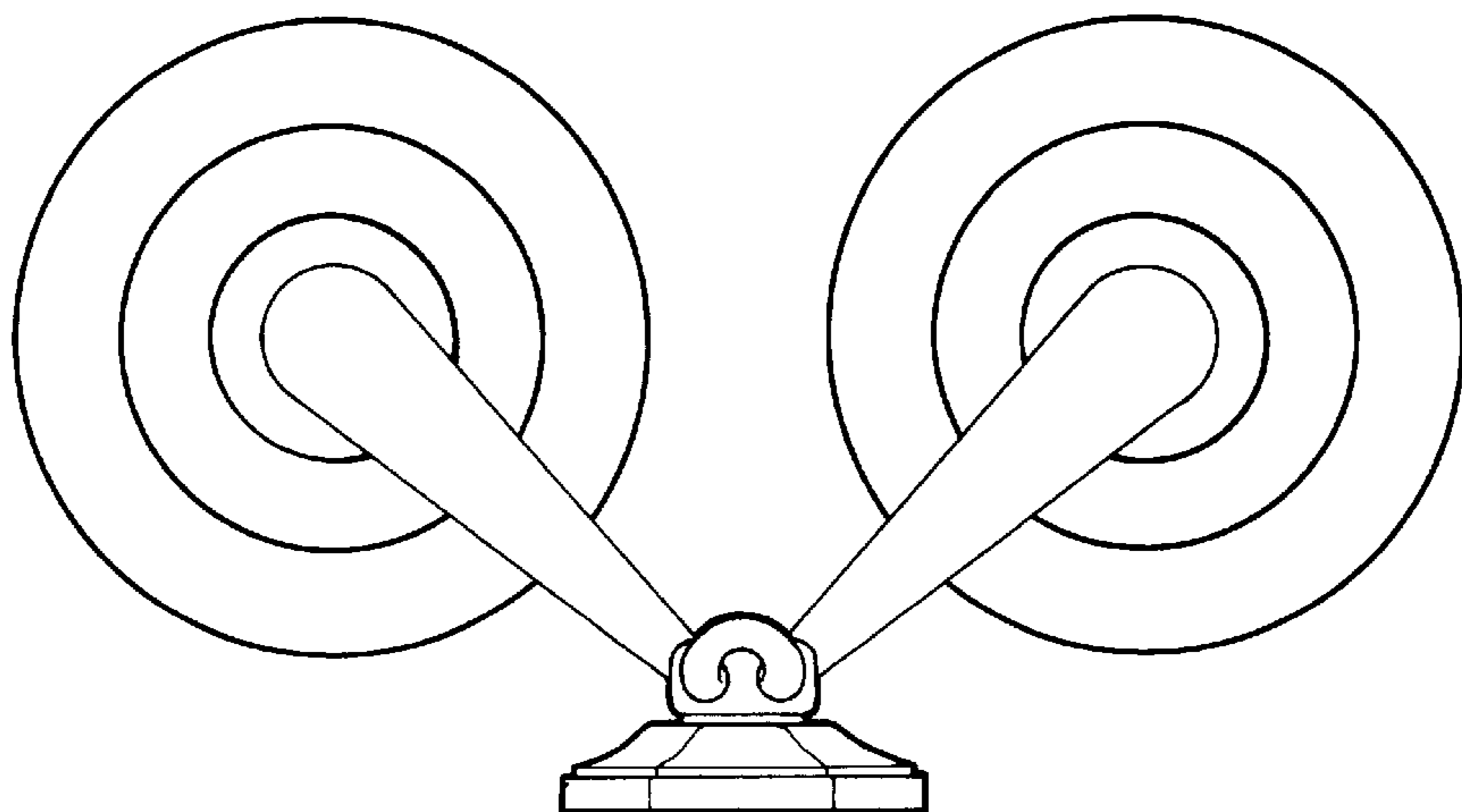


FIG. 7



UNITED STATES PATENT AND TRADEMARK OFFICE
CERTIFICATE OF CORRECTION

PATENT NO. : Des 439,002 S
DATED : March 13, 2001
INVENTOR(S) : Pierre-Yves Rochon

Page 1 of 1

It is certified that error appears in the above-identified patent and that said Letters Patent is hereby corrected as shown below:

Title page,

Foreign Application Priority, Date April 19, 1999 (FR)

992607

Signed and Sealed this

Second Day of April, 2002

Attest:



Attesting Officer

JAMES E. ROGAN
Director of the United States Patent and Trademark Office