



US00D439001S

(12) **United States Design Patent**
Pan

(10) **Patent No.:** **US D439,001 S**

(45) **Date of Patent:** **** Mar. 13, 2001**

(54) **BRACKET LIGHT**

(75) Inventor: **Lian Pan**, Taoyuan Hsien (TW)

(73) Assignee: **Evergreen-Lite Enterprises Co., Ltd.**
(TW)

(**) Term: **14 Years**

(21) Appl. No.: **29/103,788**

(22) Filed: **Apr. 23, 1999**

(51) **LOC (7) Cl.** **26-05**

(52) **U.S. Cl.** **D26/87; D26/85**

(58) **Field of Search** **D26/72, 80-92;**
362/432, 404-408, 147

(56) **References Cited**

PUBLICATIONS

H. C. Frisbie, Co. lighting catalog, pl 45, ceiling lamp #
377-6, Jul. 1960.*

Progressive Architecture, p. 15LW, ceiling lamp # B26305,
Mar. 1988.*

* cited by examiner

Primary Examiner—Susan J. Lucas

(74) *Attorney, Agent, or Firm*—Smith, Gambrell & Russell,
LLP

(57) **CLAIM**

The ornamental design for a “bracket light”, as shown and
described.

DESCRIPTION

FIG. 1 is a front view of a bracket light showing my new
design;

FIG. 2 is a rear view thereof;

FIG. 3 is a left side view thereof;

FIG. 4 is a right side view thereof;

FIG. 5 is a top view thereof;

FIG. 6 is a bottom view thereof; and,

FIG. 7 is a perspective view thereof.

1 Claim, 4 Drawing Sheets

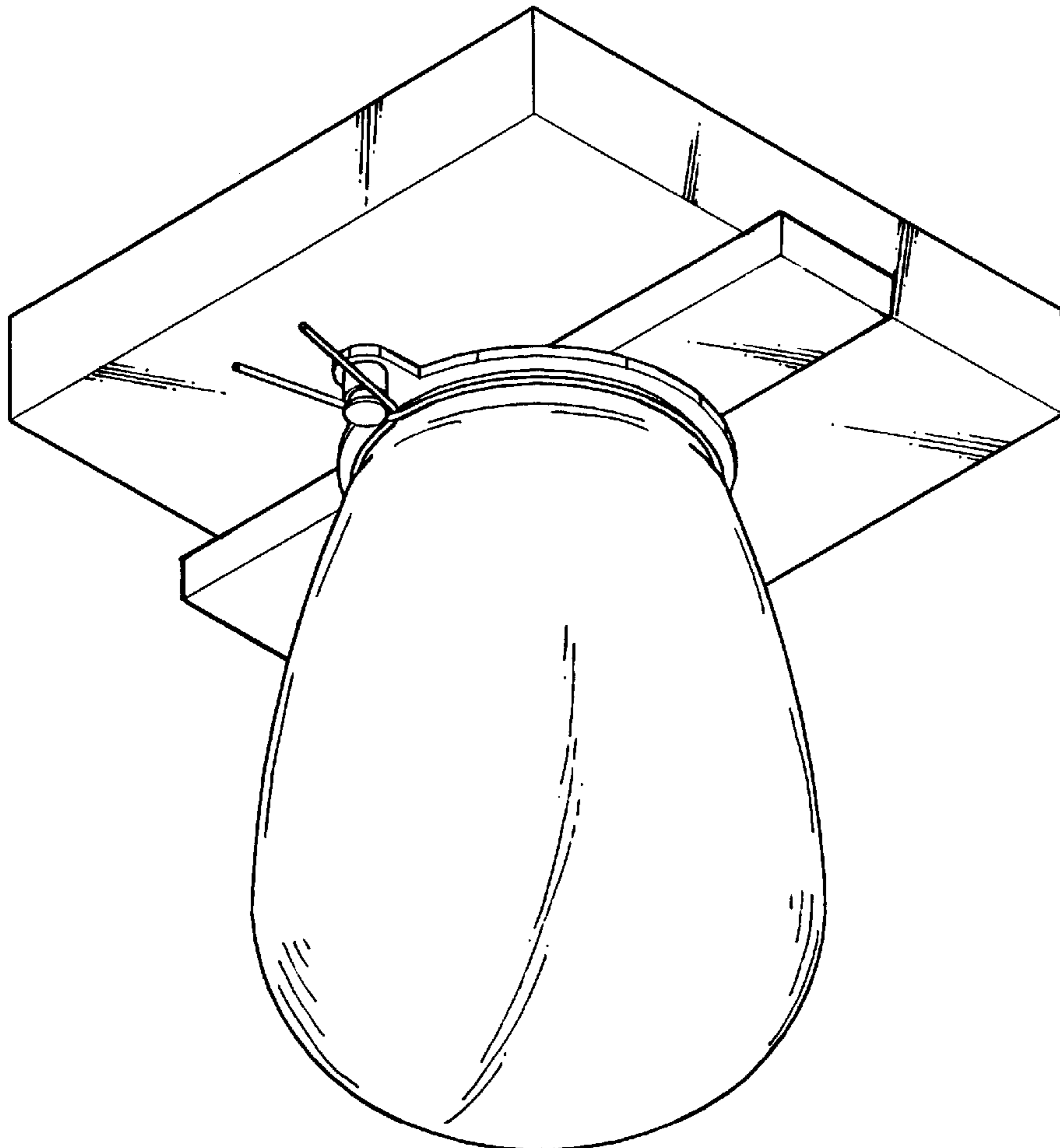


FIG. 2

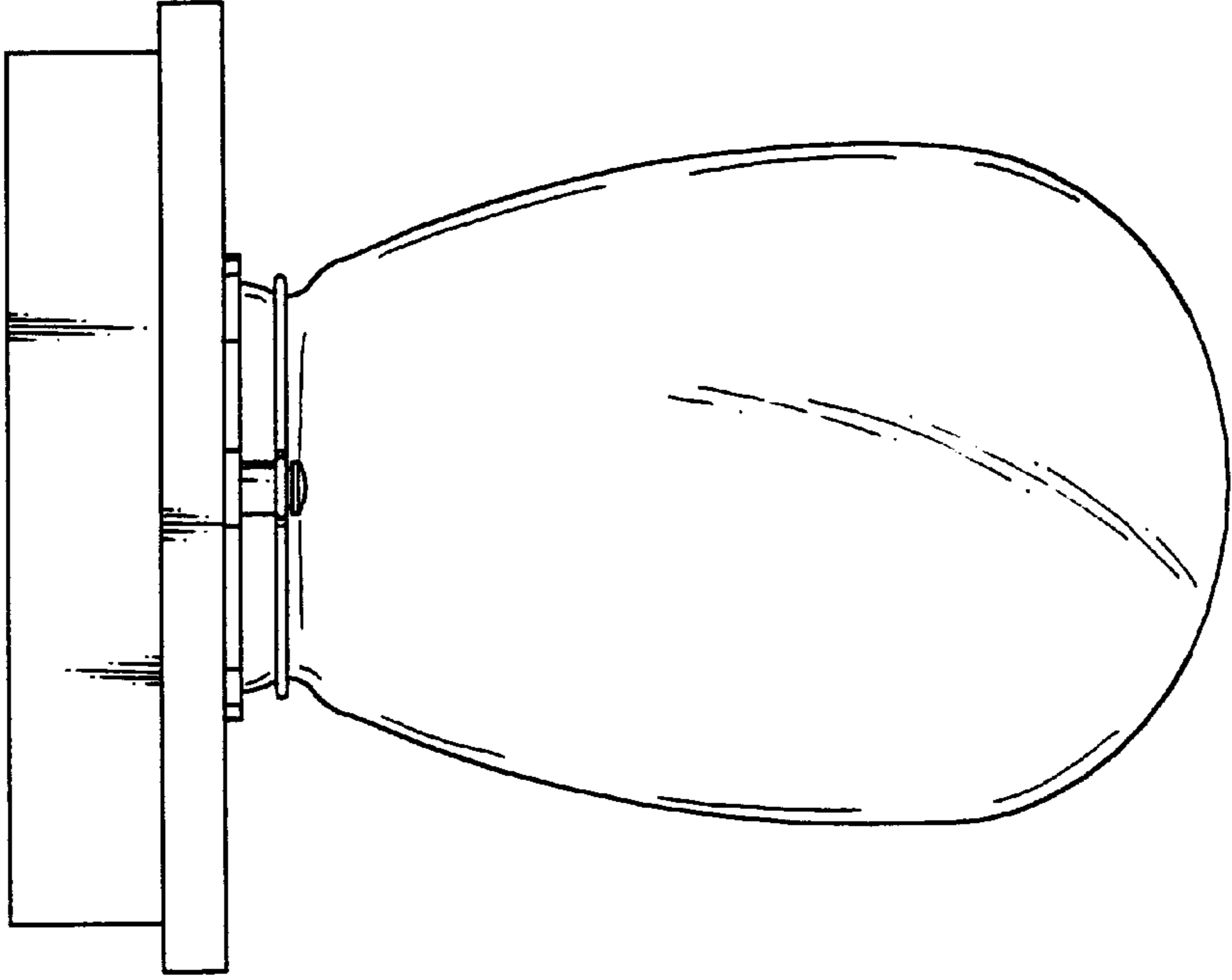


FIG. 1

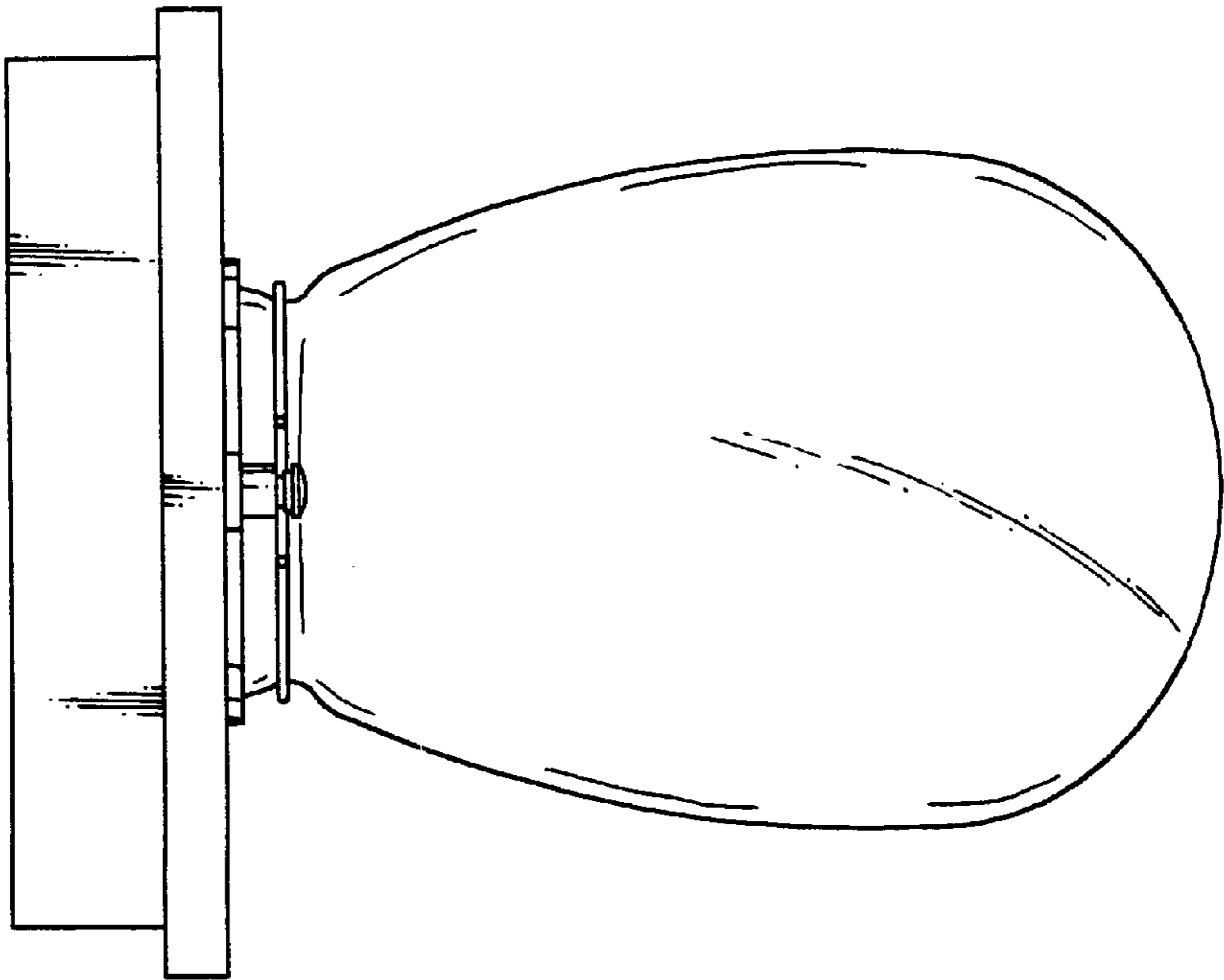


FIG. 4

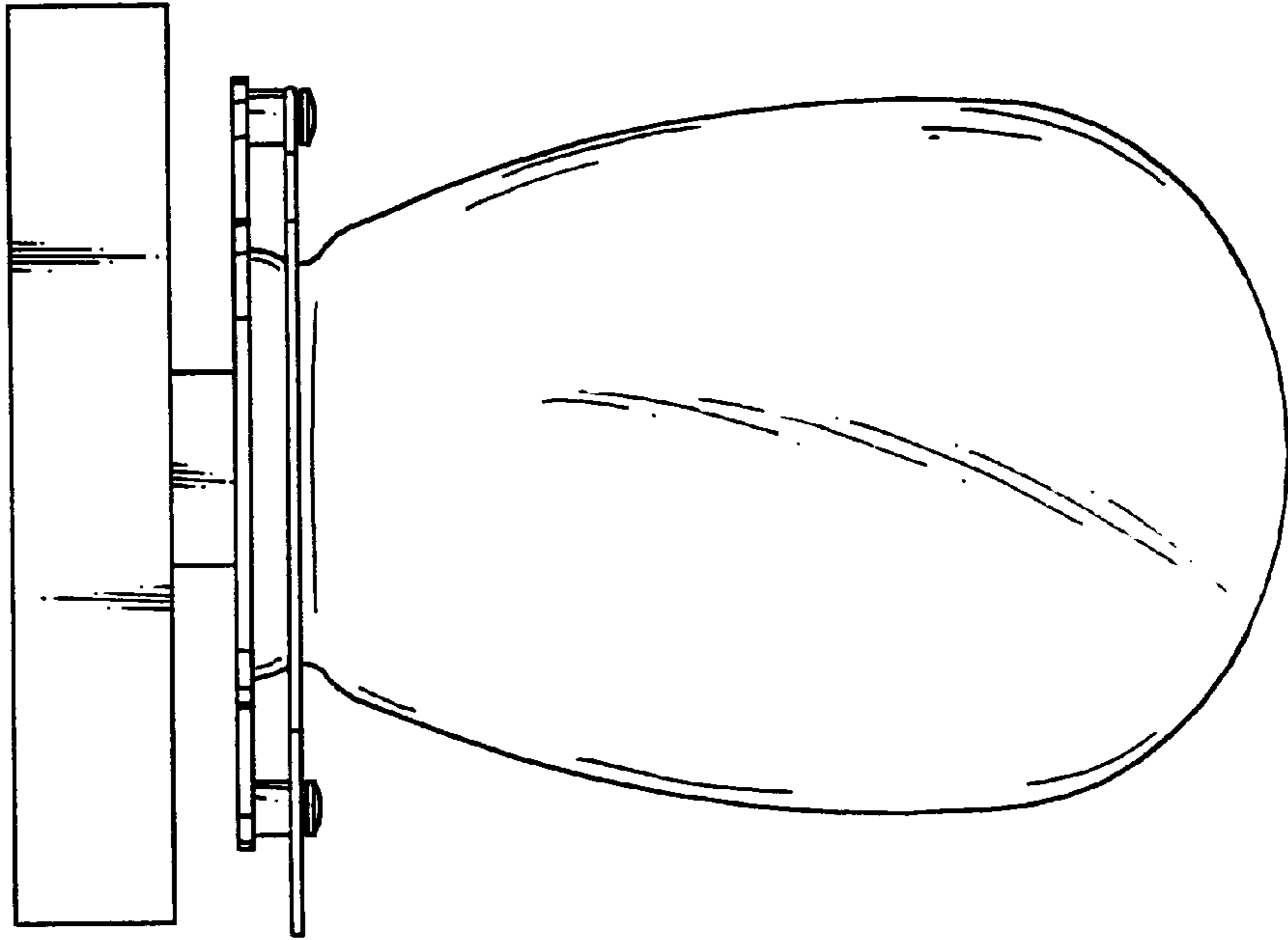
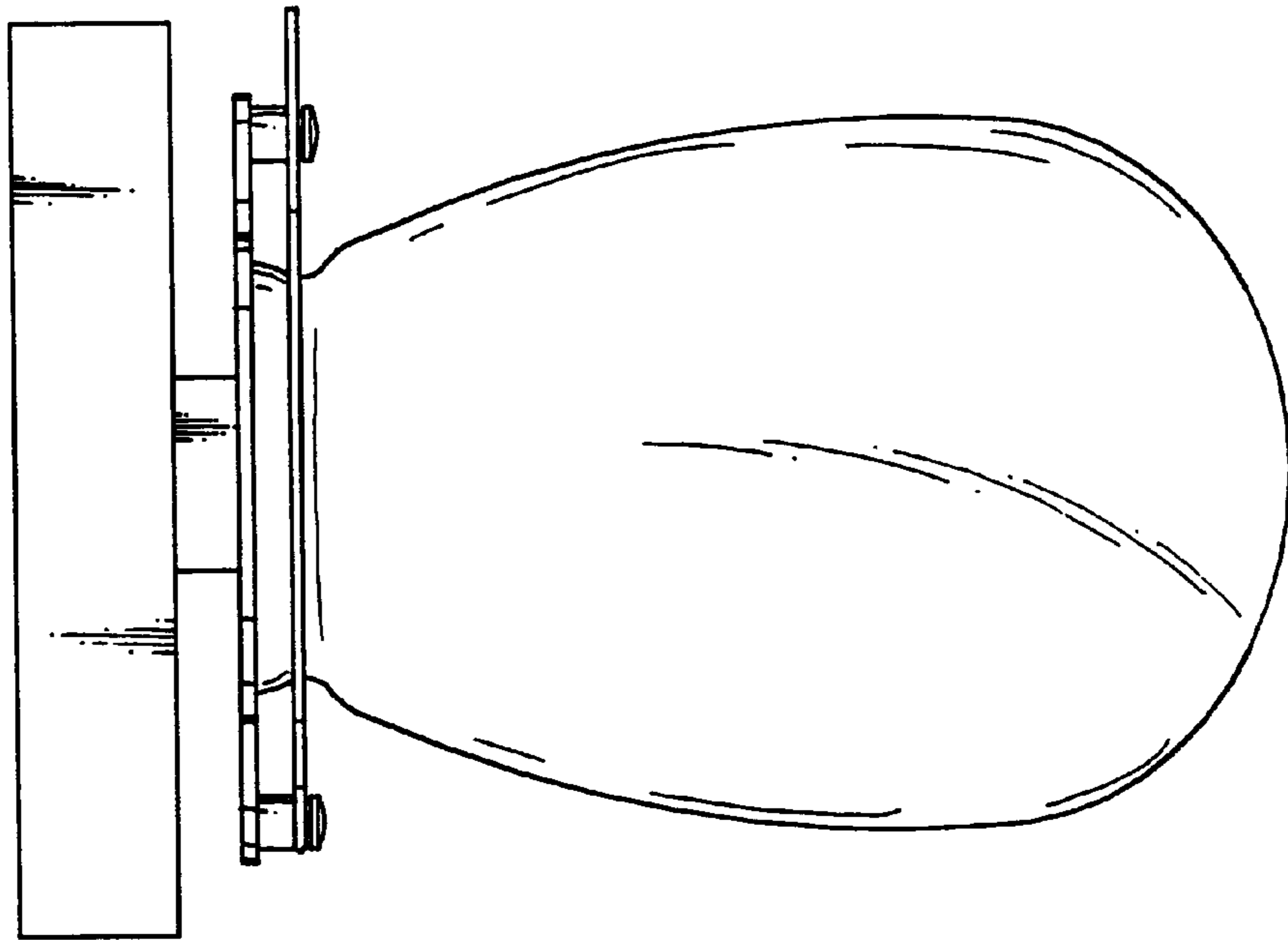


FIG. 3



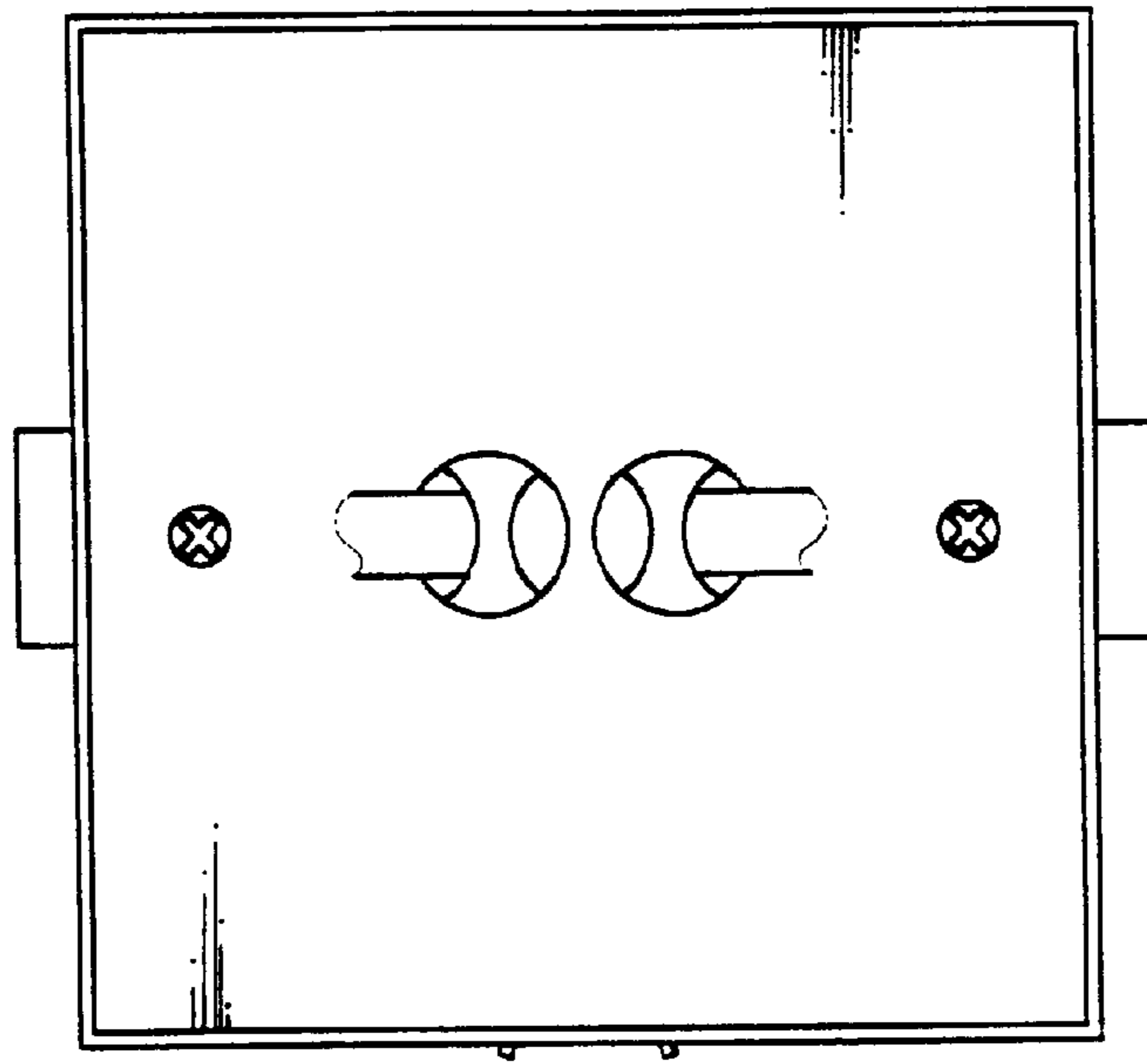


FIG. 5

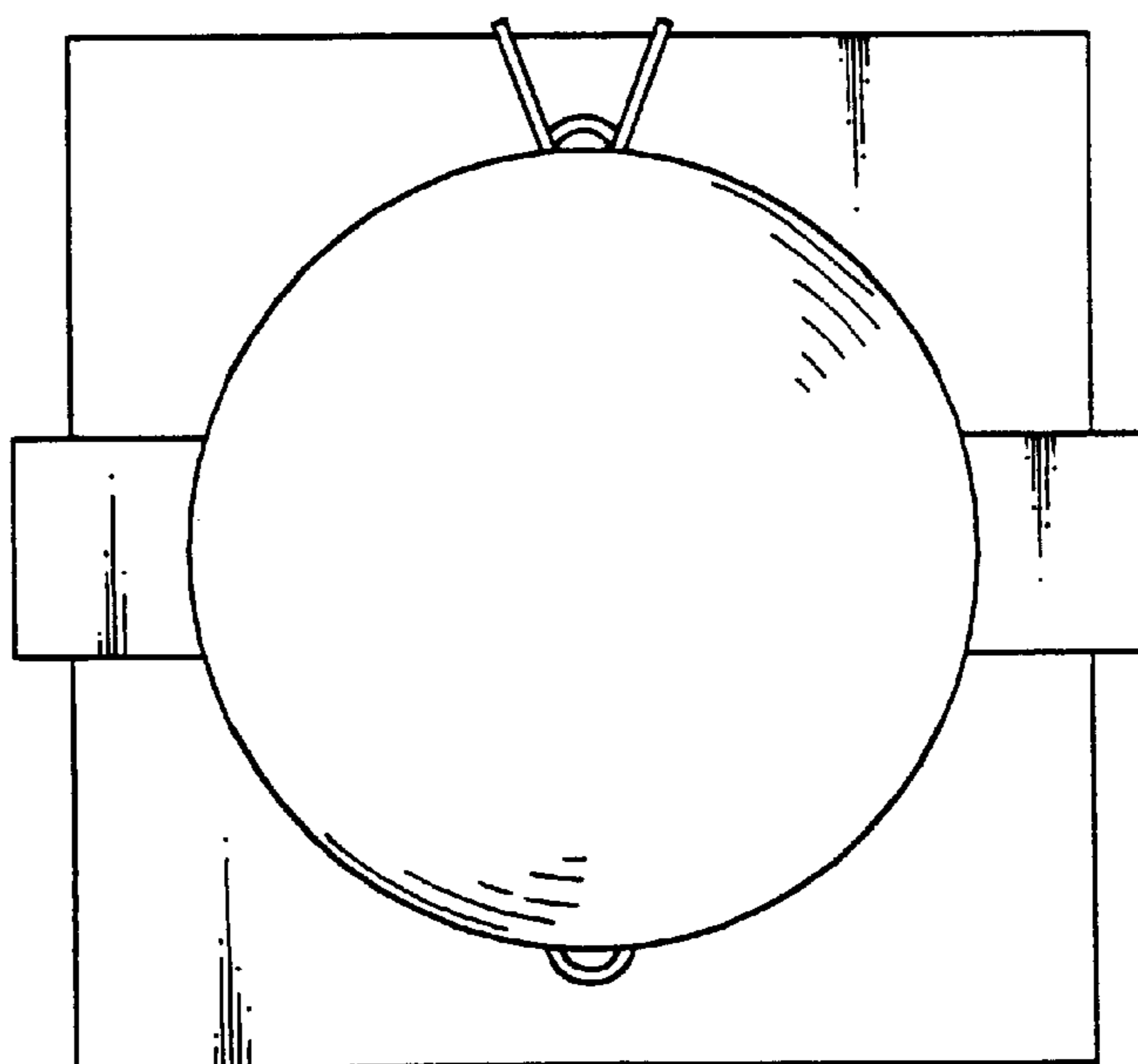


FIG. 6

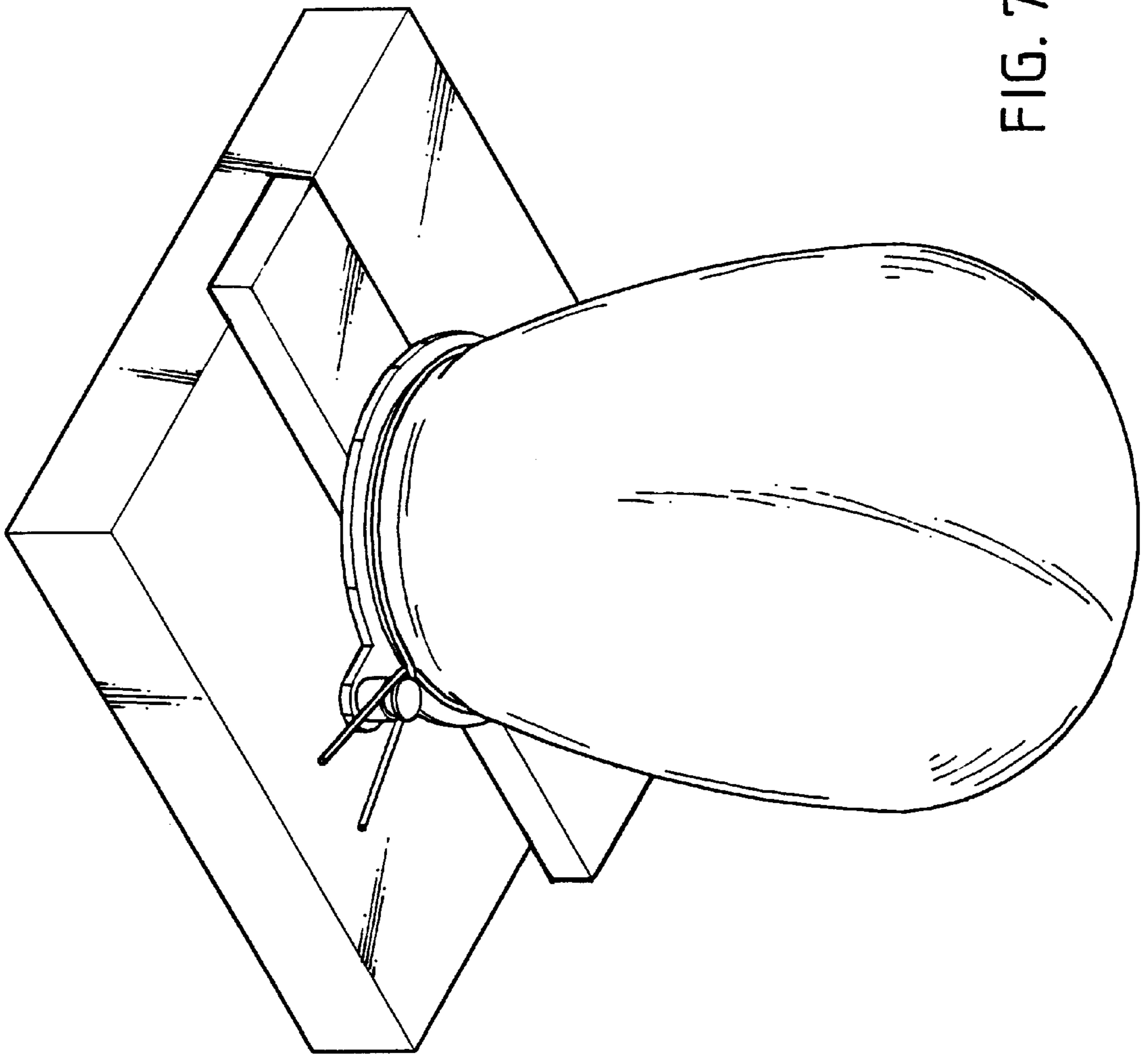


FIG. 7