



US00D438998S

(12) **United States Design Patent**
Finke et al.

(10) **Patent No.:** **US D438,998 S**

(45) **Date of Patent:** **** Mar. 13, 2001**

(54) **HALOGEN MOTION DETECTION
SECURITY LIGHT POSITIONING SYSTEM**

D. 363,804 * 10/1995 Parker et al. D26/63
D. 420,458 * 2/2000 Guercio D26/63
5,941,630 8/1999 Finke et al. 362/371

(75) Inventors: **Ralph Finke**, Guethesloh; **Thomas Franke**, Schloss-Holte, both of (DE)

* cited by examiner

(73) Assignee: **Steinel GmbH & Co. KG** (DE)

Primary Examiner—Susan J. Lucas

(74) *Attorney, Agent, or Firm*—Kinney & Lange, P.A.

(**) Term: **14 Years**

(57) **CLAIM**

(21) Appl. No.: **29/109,062**

The ornamental design for a halogen motion detection security light positioning system, as shown.

(22) Filed: **Aug. 9, 1999**

DESCRIPTION

(51) **LOC (7) Cl.** **26-05**

(52) **U.S. Cl.** **D26/63; D10/106**

(58) **Field of Search** D26/60-66; D10/106;
362/267, 269, 271, 272, 273, 276, 282,
283, 285, 287, 418, 419, 42, 296, 297,
301, 306, 363, 384, 385; D13/139.2, 139.3

FIG. 1 is a view in perspective as seen from the front left side of a halogen motion detection security light positioning system showing my new design;

FIG. 2 is a top plan view;

FIG. 3 is a front elevational view;

FIG. 4 is a right side view;

FIG. 5 is a left side view;

FIG. 6 is a rear elevational view; and,

FIG. 7 is a bottom plan view.

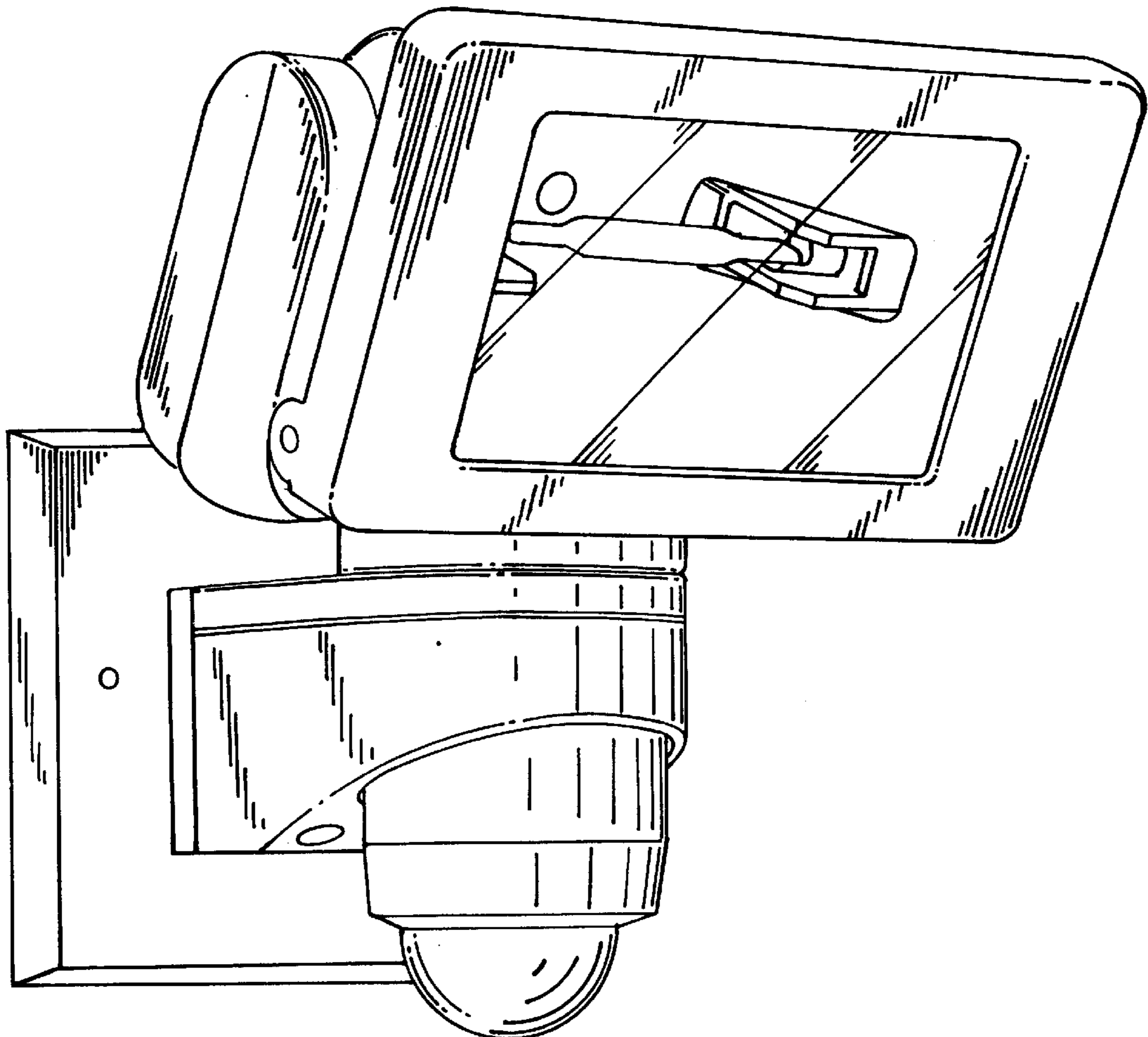
(56) **References Cited**

U.S. PATENT DOCUMENTS

D. 66,222 * 10/1924 Burlin .

D. 353,474 * 12/1994 Shyan D26/63

1 Claim, 7 Drawing Sheets



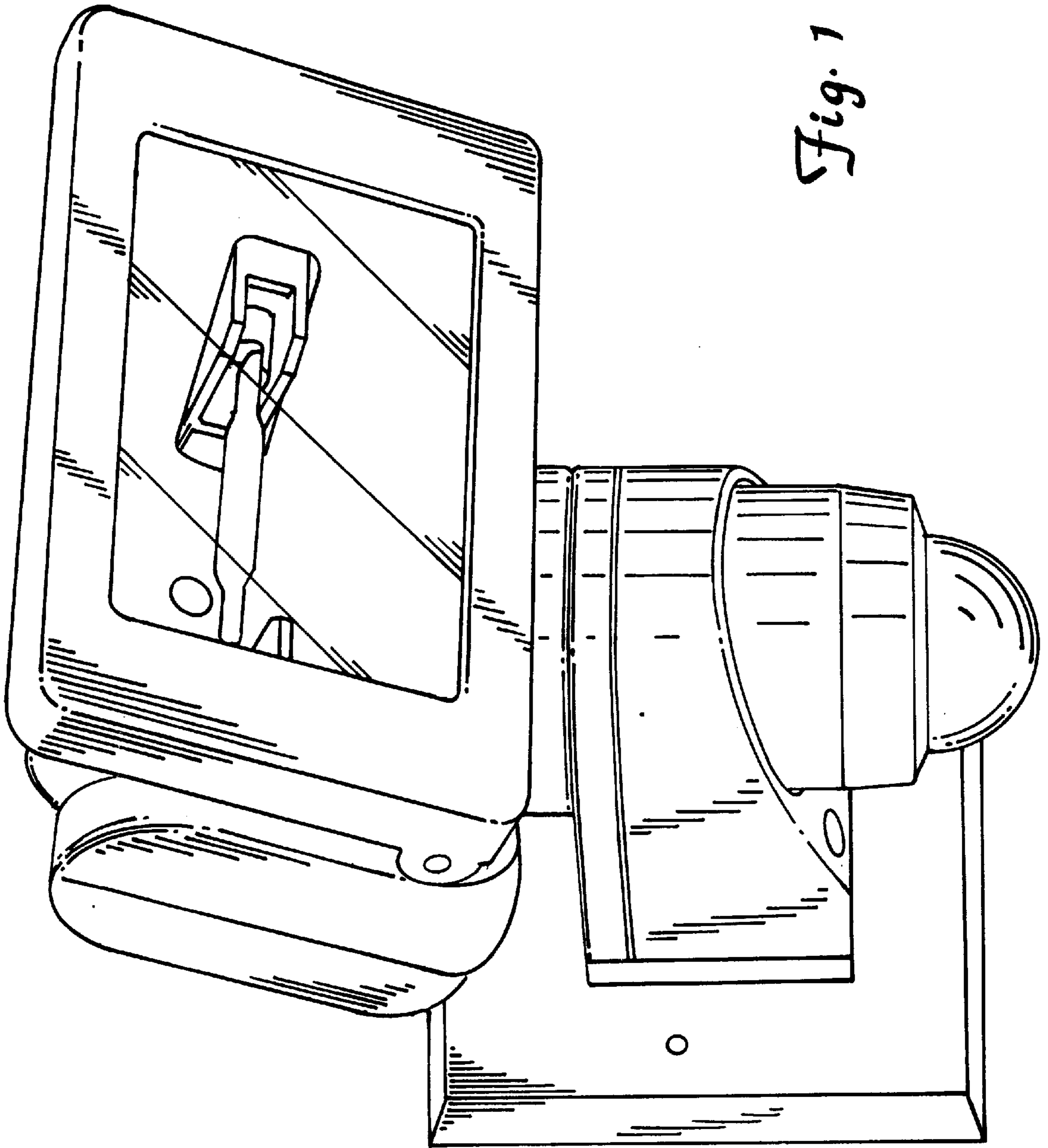


Fig. 1

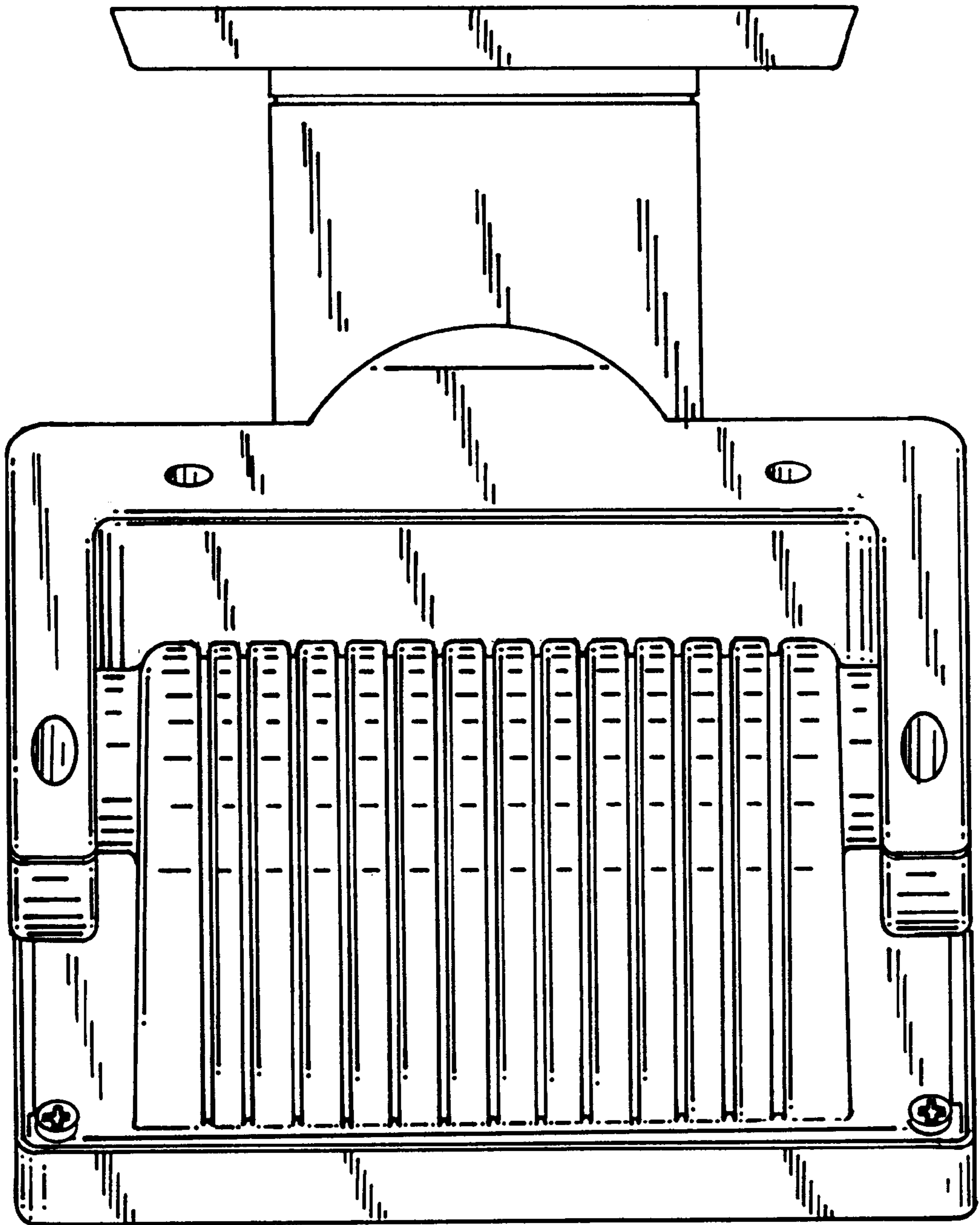


Fig. 2

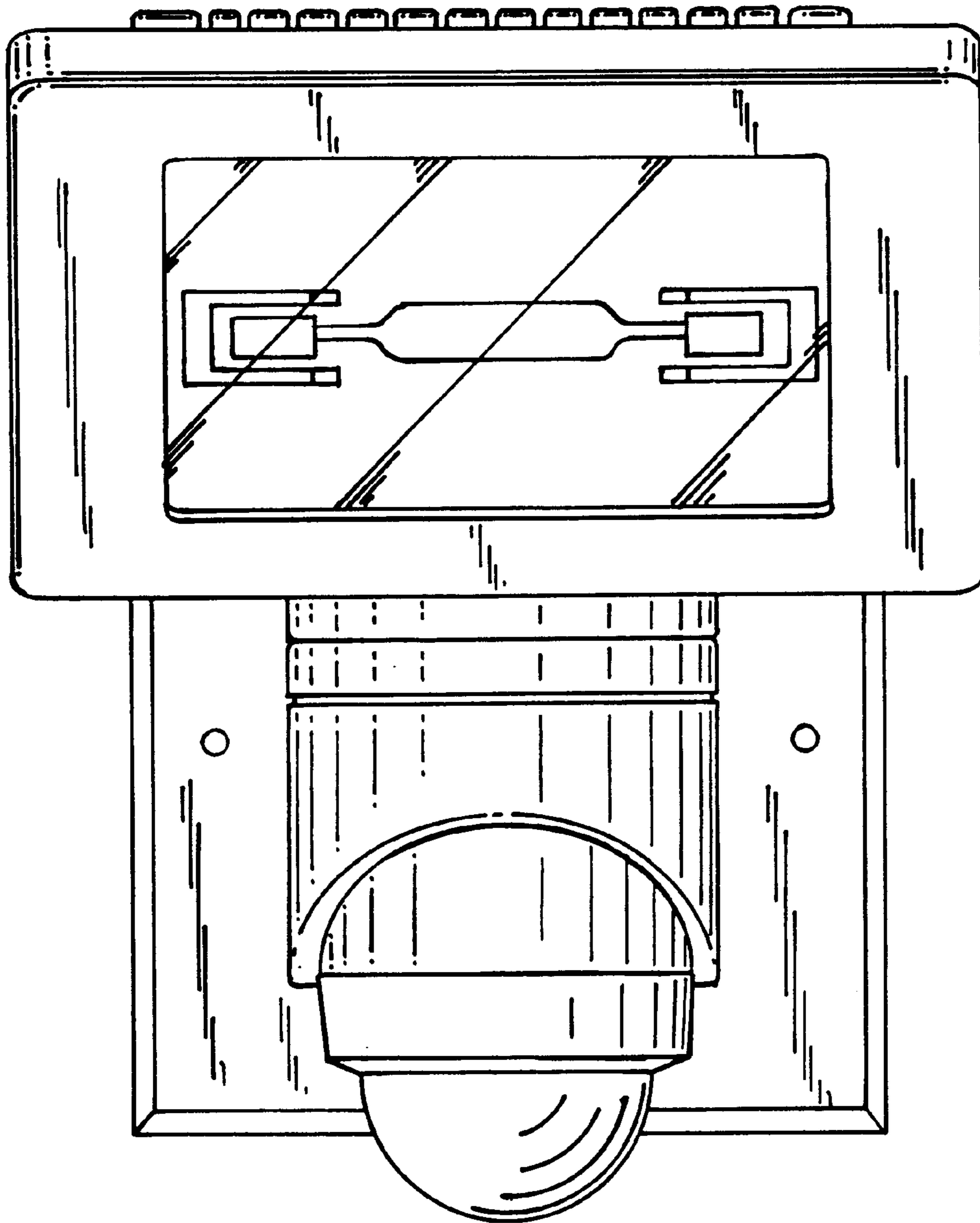


Fig. 3

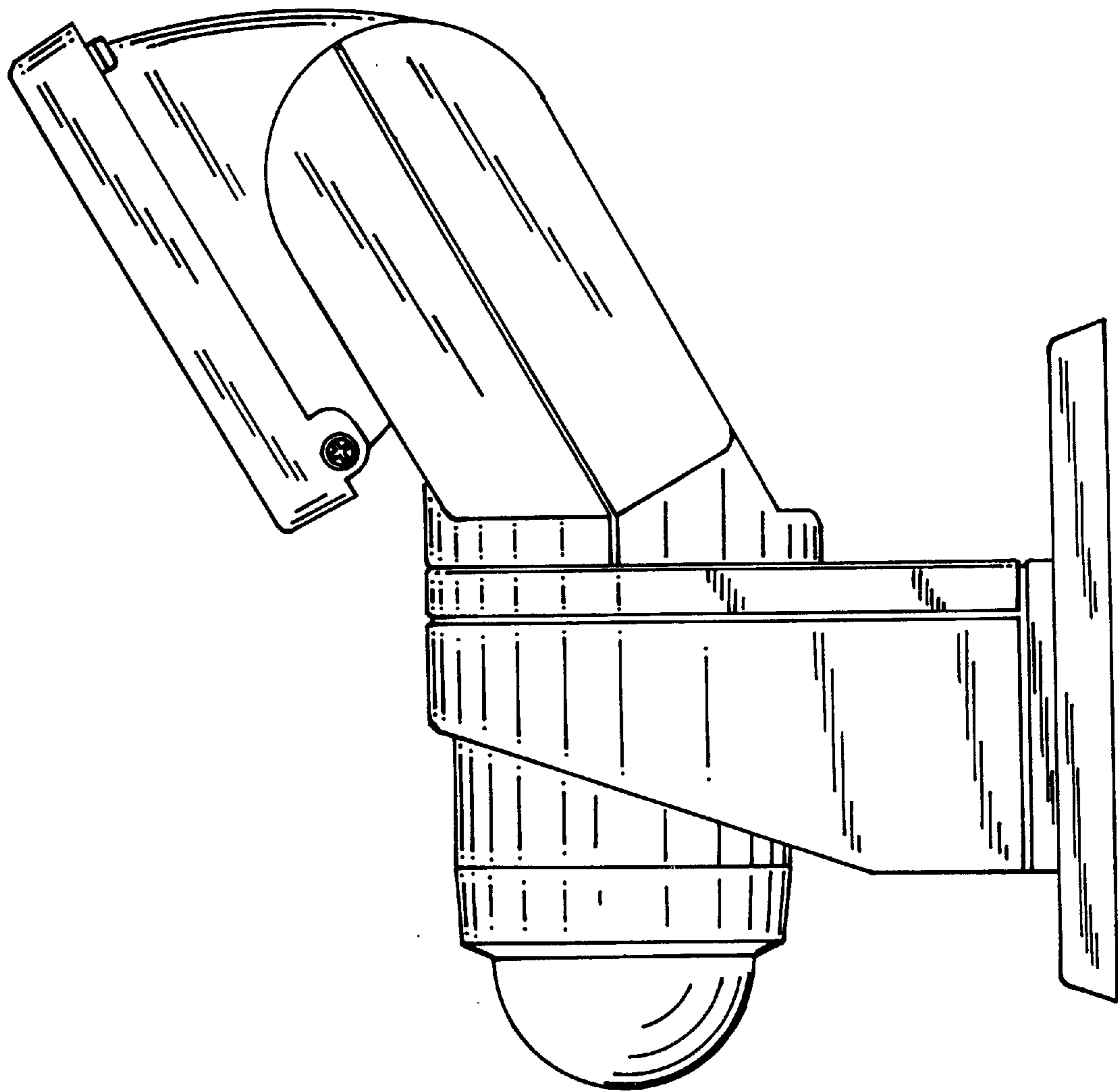


Fig. 4

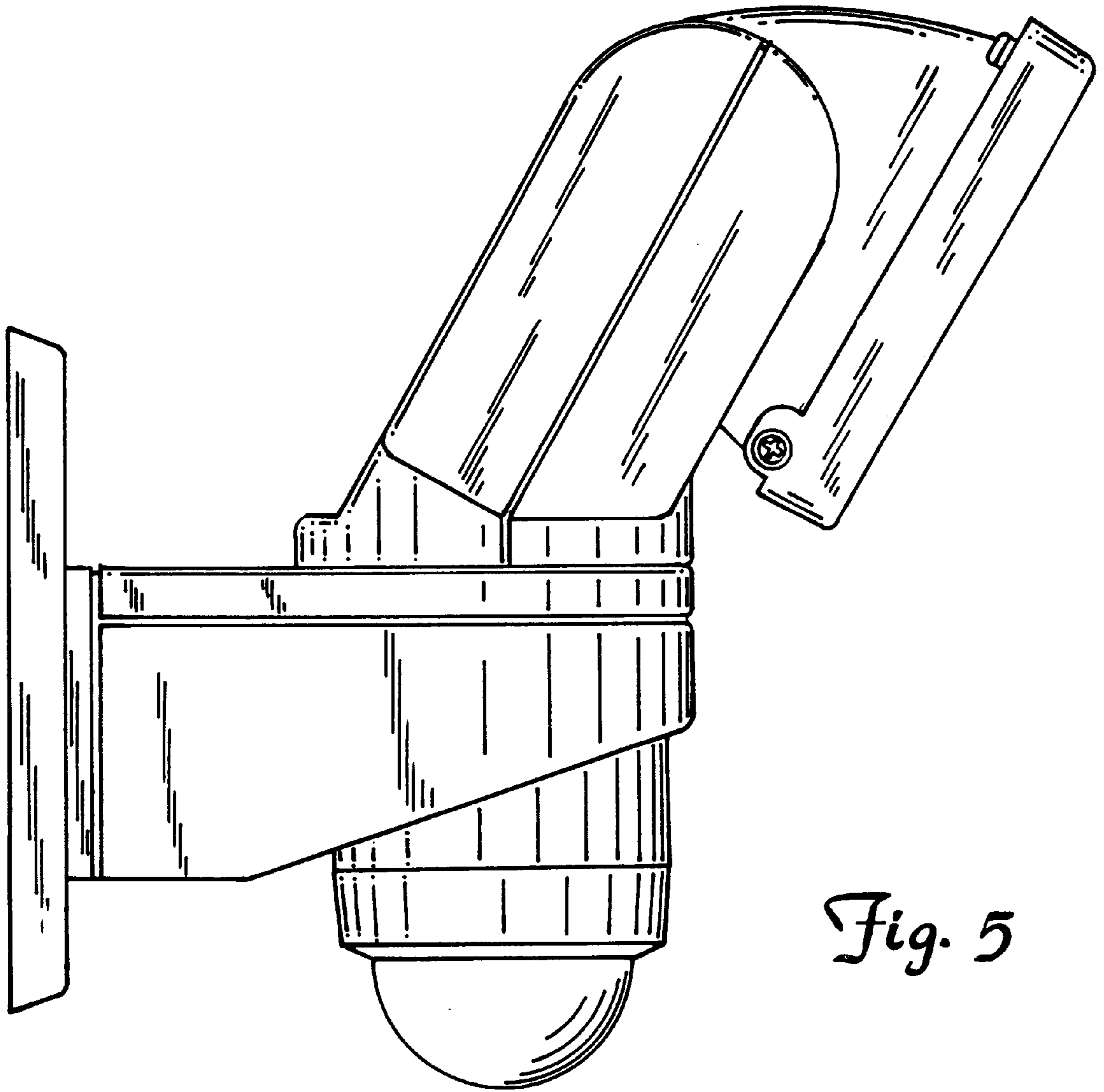


Fig. 5

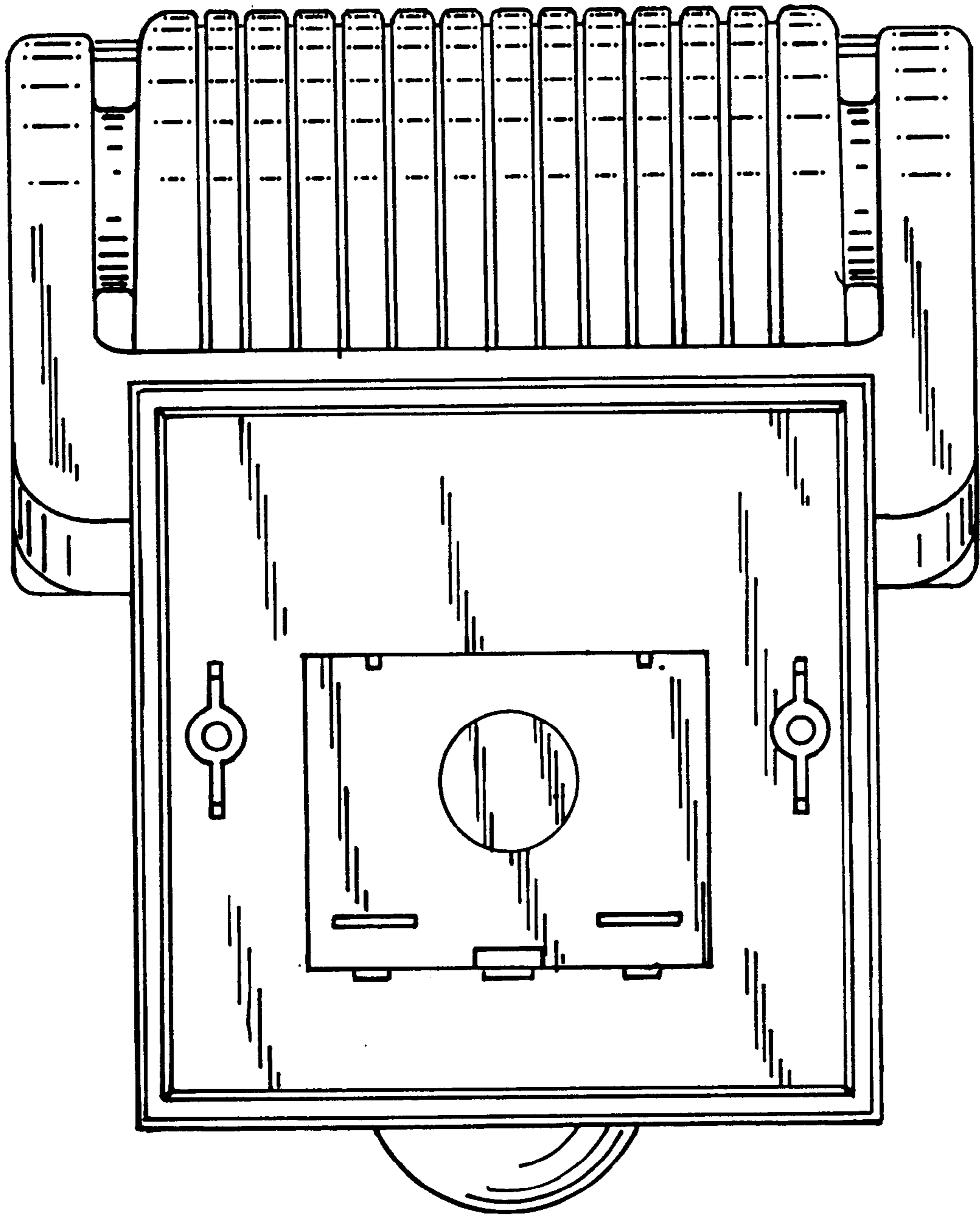


Fig. 6

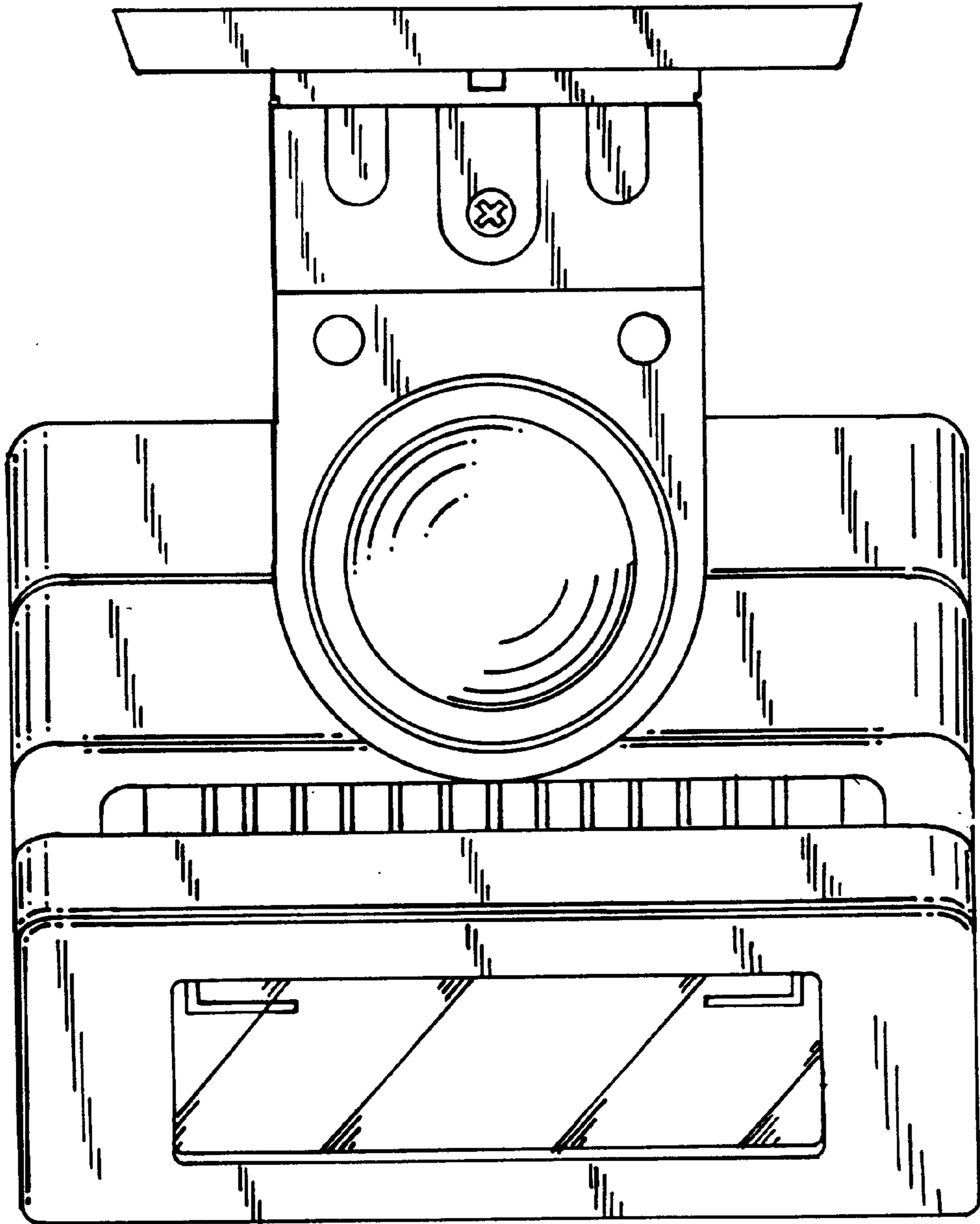


Fig. 7