



US00D438997S

(12) **United States Design Patent**  
**Yuen**

(10) **Patent No.:** **US D438,997 S**

(45) **Date of Patent:** **\*\* Mar. 13, 2001**

(54) **SWIVEL LANTERN WITH TRIPOD**

(75) Inventor: **Se Kit Yuen**, Kowloon (HK)

(73) Assignee: **John Manufacturing Limited**,  
Kowloon (CN)

(\*\*) Term: **14 Years**

(21) Appl. No.: **29/127,579**

(22) Filed: **Aug. 9, 2000**

(30) **Foreign Application Priority Data**

Mar. 14, 2000 (HK) ..... 0010309

(51) **LOC (7) Cl.** ..... **26-02**

(52) **U.S. Cl.** ..... **D26/45**

(58) **Field of Search** ..... D26/37-50; 362/157,  
362/158, 171, 183-208

(56) **References Cited**

**U.S. PATENT DOCUMENTS**

D. 300,470 \* 3/1989 Schmidt et al. .... D26/45

D. 342,582 \* 12/1993 Young ..... D26/45

D. 430,323 8/2000 Yuen .

\* cited by examiner

*Primary Examiner*—Marcus A. Jackson

(74) *Attorney, Agent, or Firm*—Merchant & Gould P.C.

(57) **CLAIM**

The ornamental design for a swivel lantern with tripod, as shown and described.

**DESCRIPTION**

FIG. 1 is a front plan view of an embodiment of a swivel lantern with tripod showing my new design;

FIG. 2 is a rear view thereof;

FIG. 3 is a top plan view thereof;

FIG. 4 is a left side plan view thereof;

FIG. 5 is a right side view thereof.

FIG. 6 is a bottom view thereof;

FIG. 7 is a figure similar to that shown in FIG. 1, in an alternative position;

FIG. 8 is a figure similar to that shown in FIG. 4, in an alternative position; and,

FIG. 9 is a figure similar to that shown in FIG. 5, in an alternative position.

**1 Claim, 4 Drawing Sheets**

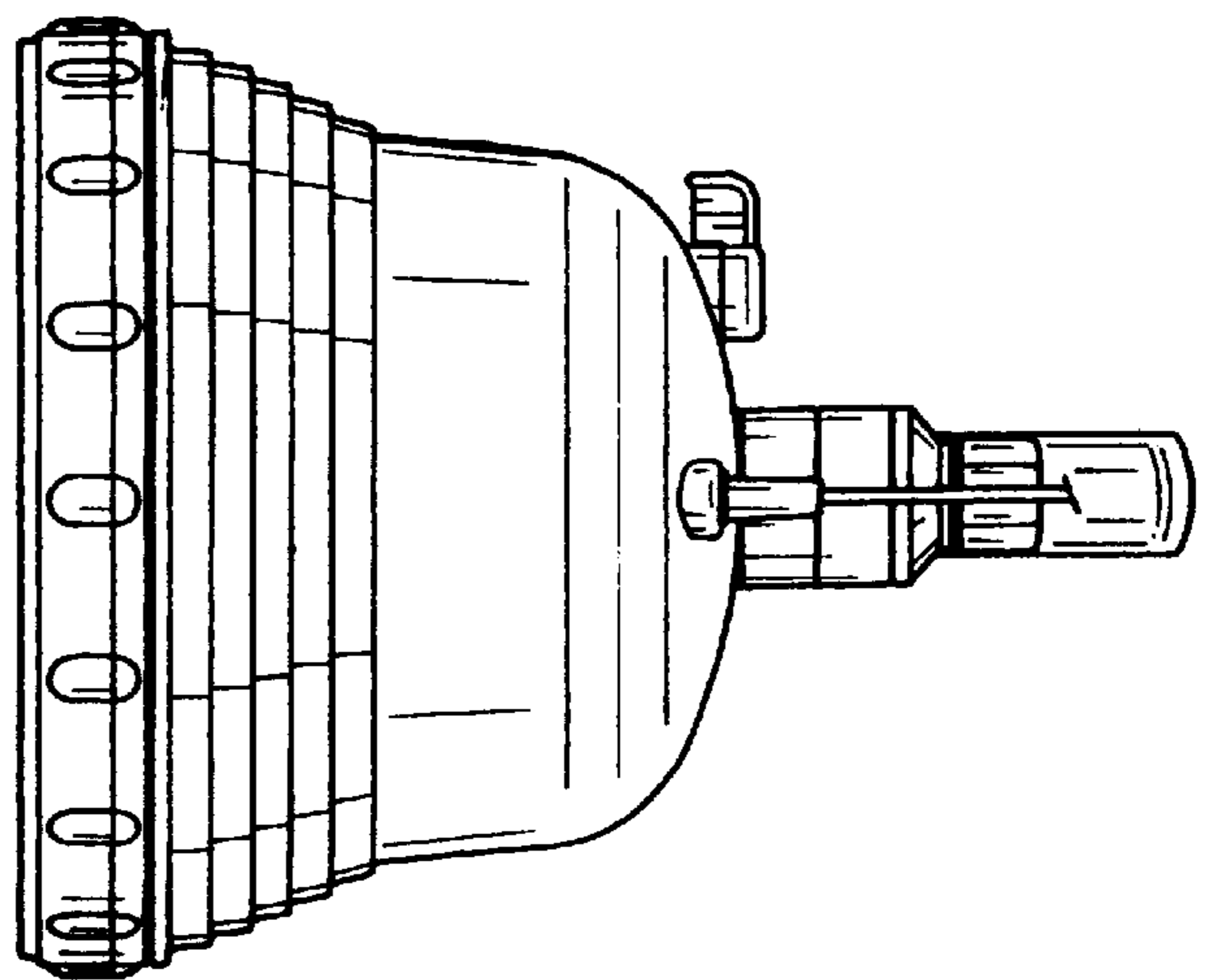
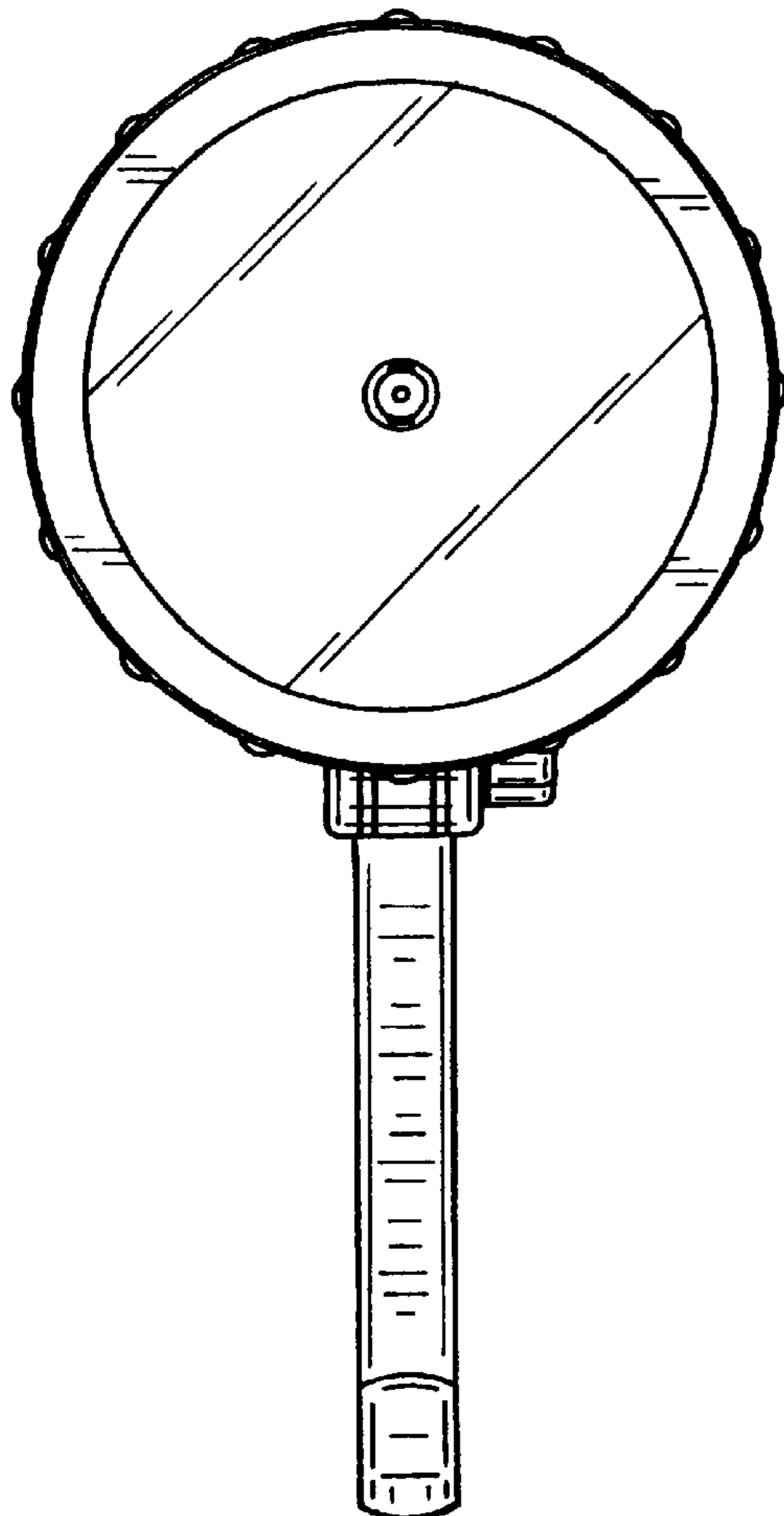


FIG. 1

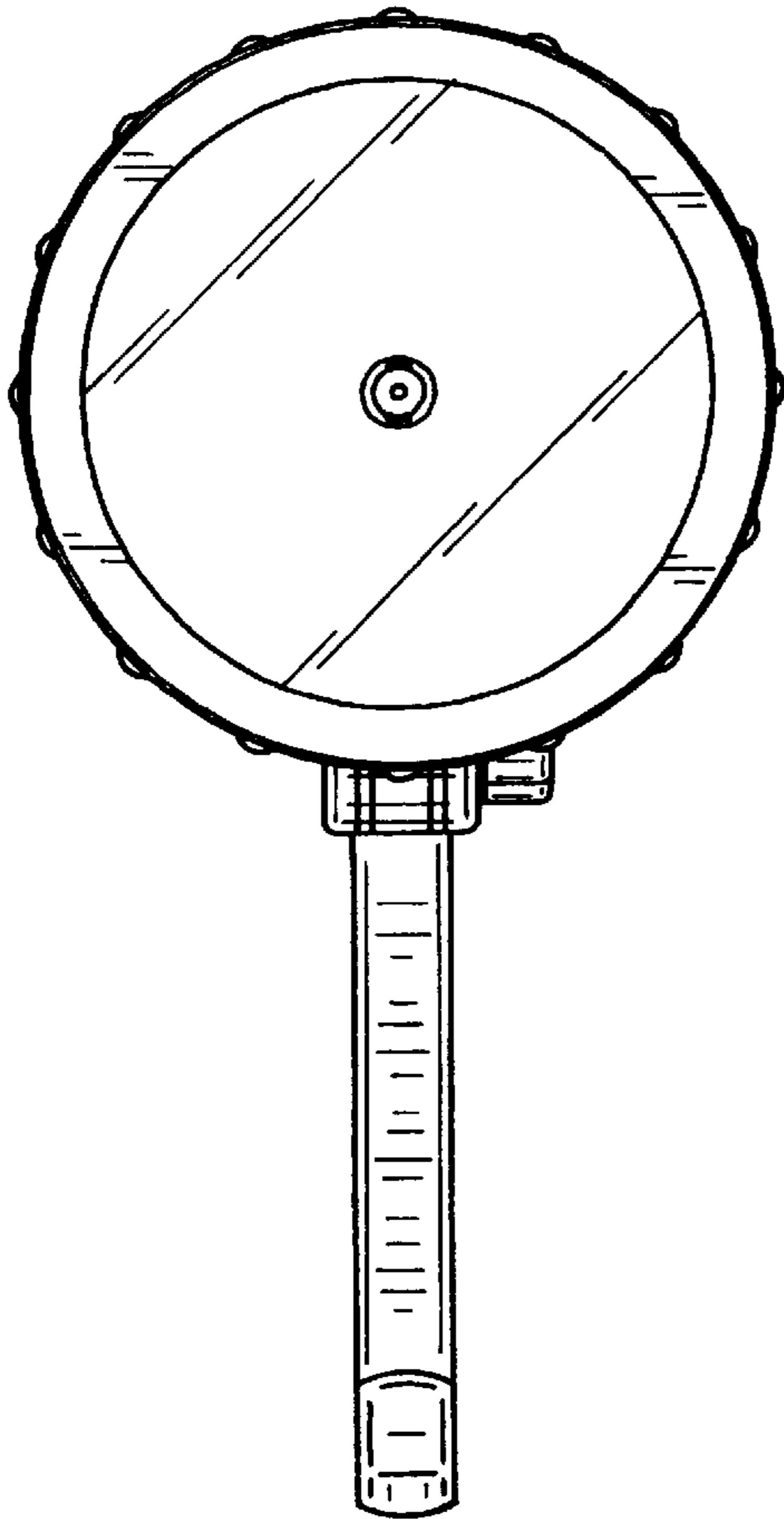


FIG. 2

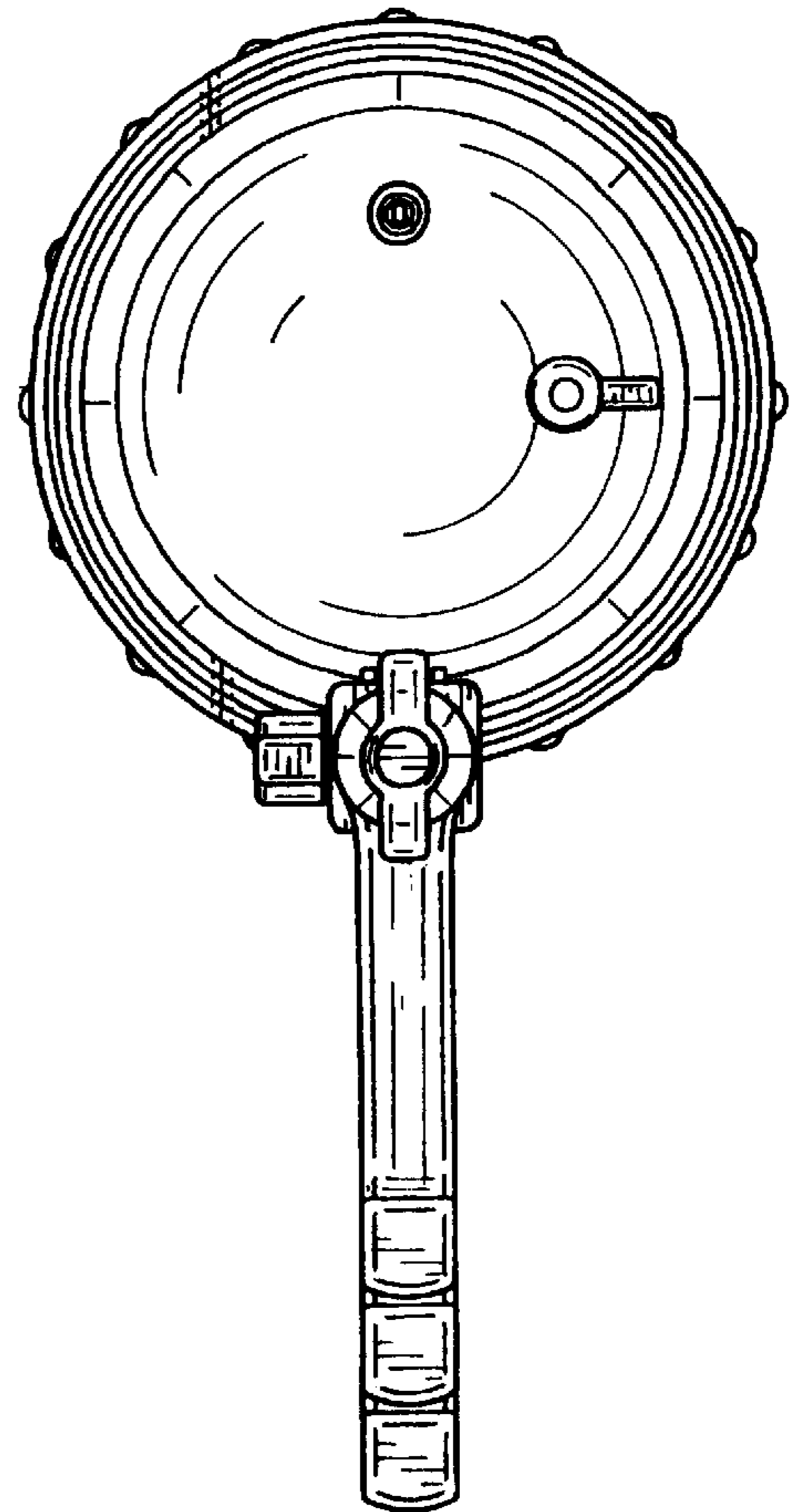


FIG. 3

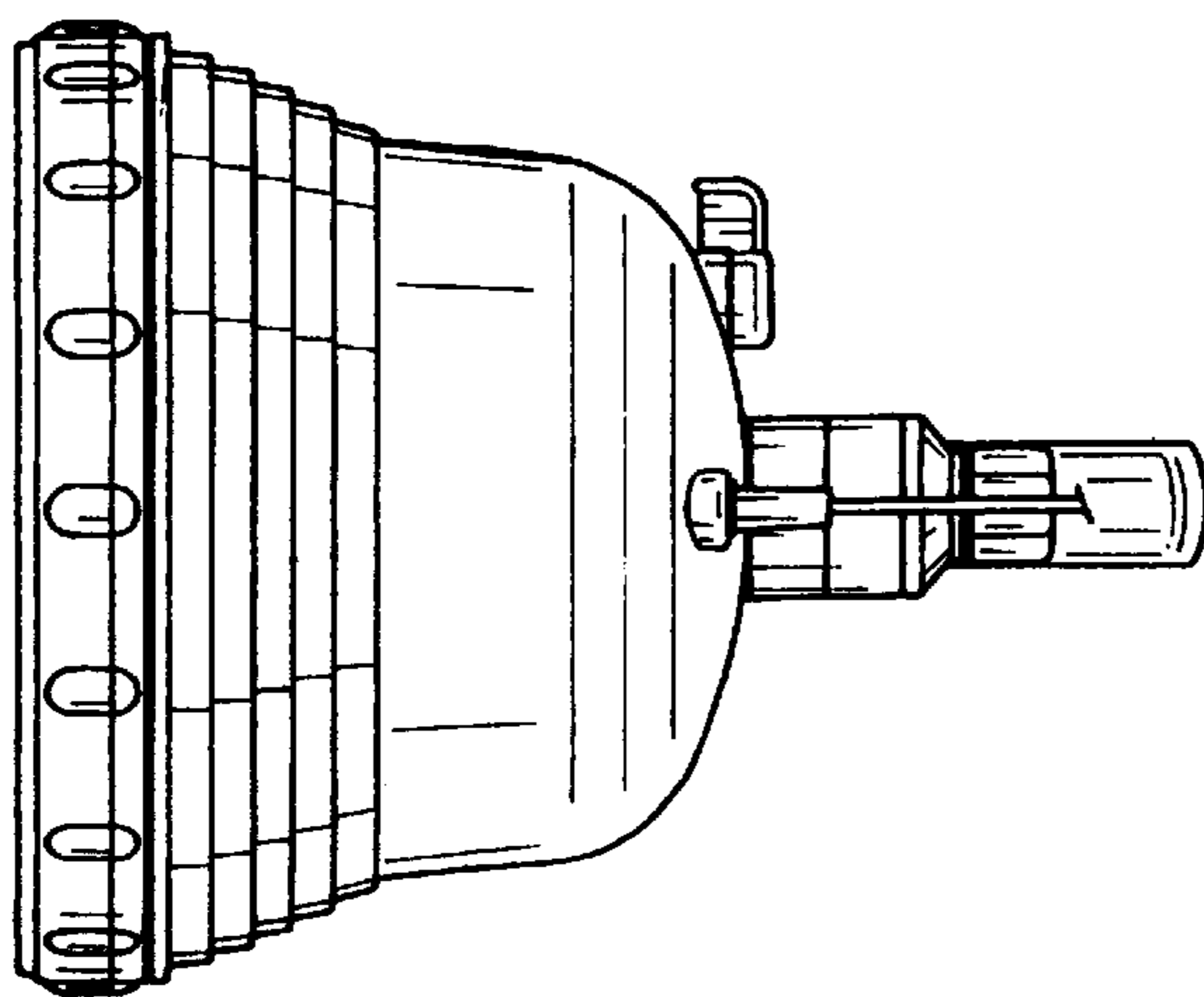


FIG. 4

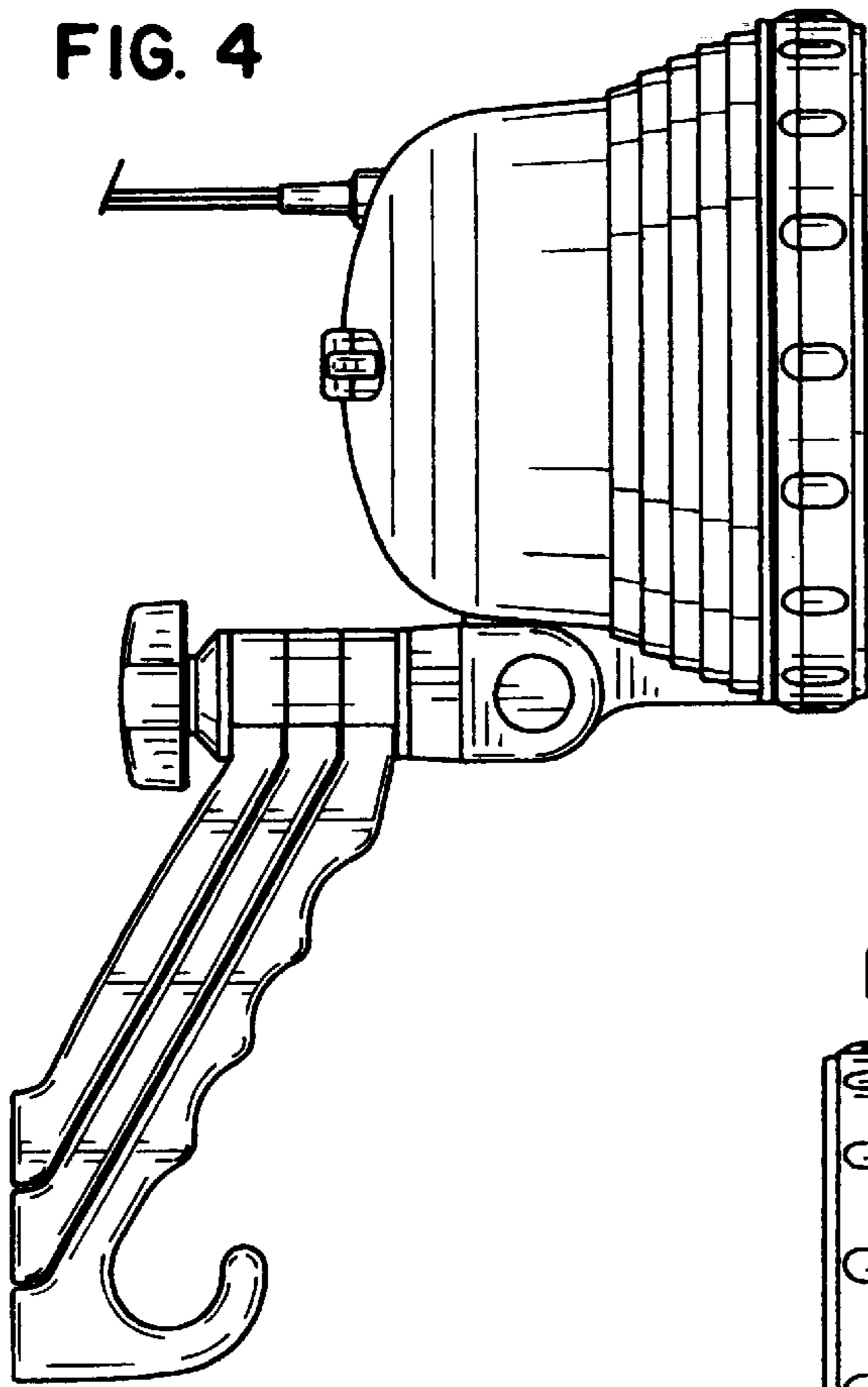
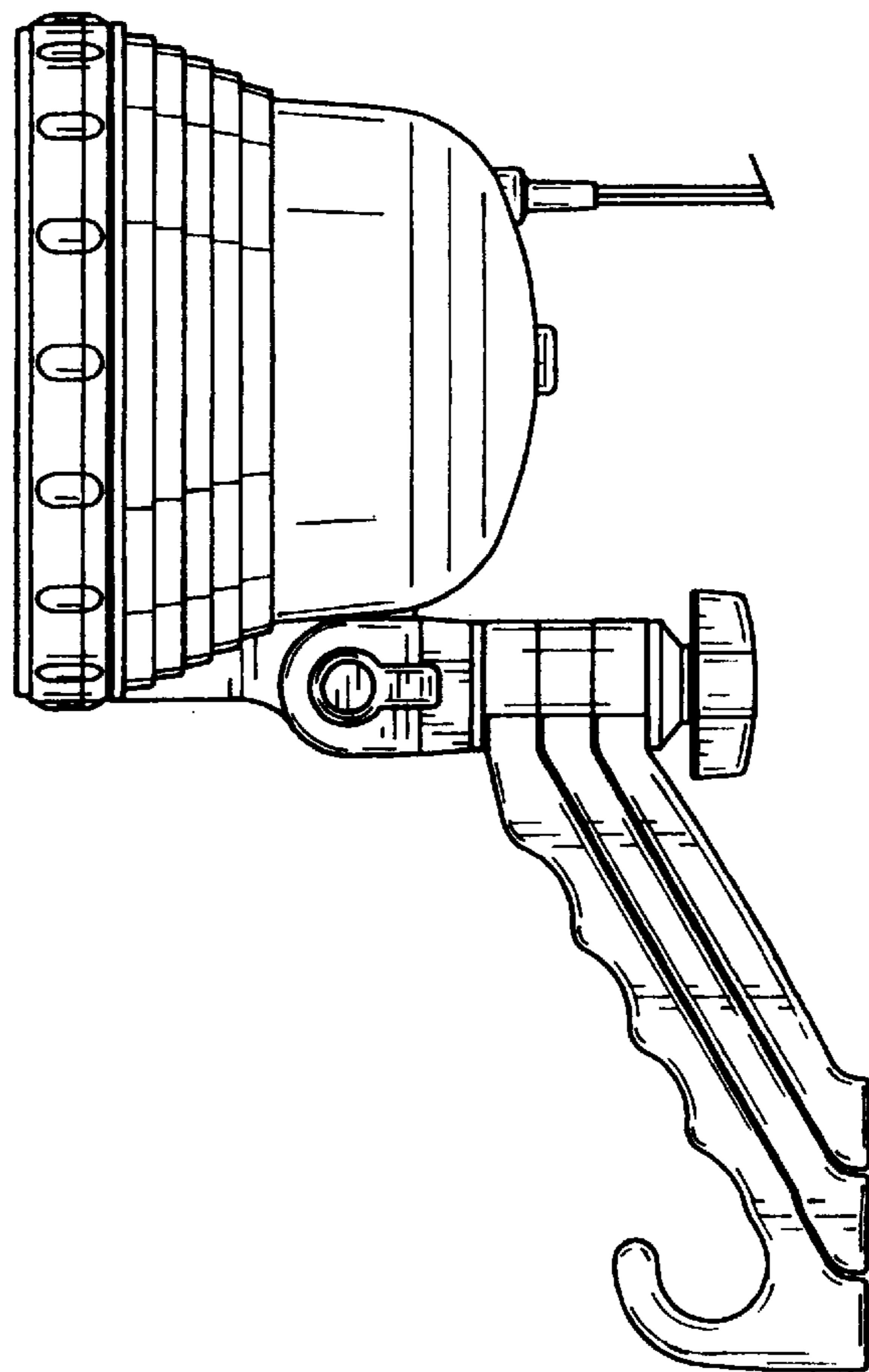
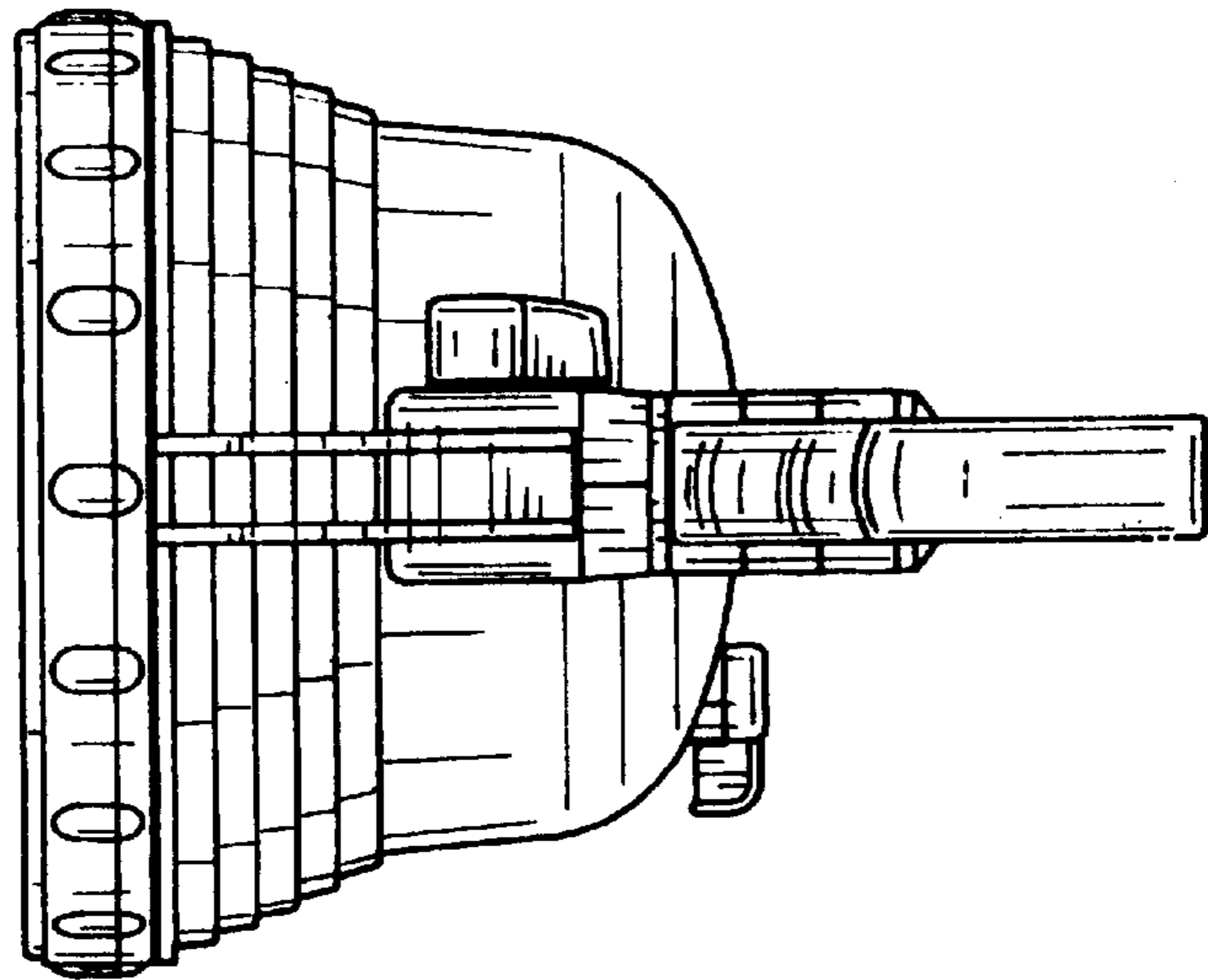


FIG. 5



**FIG. 6**



**FIG. 7**

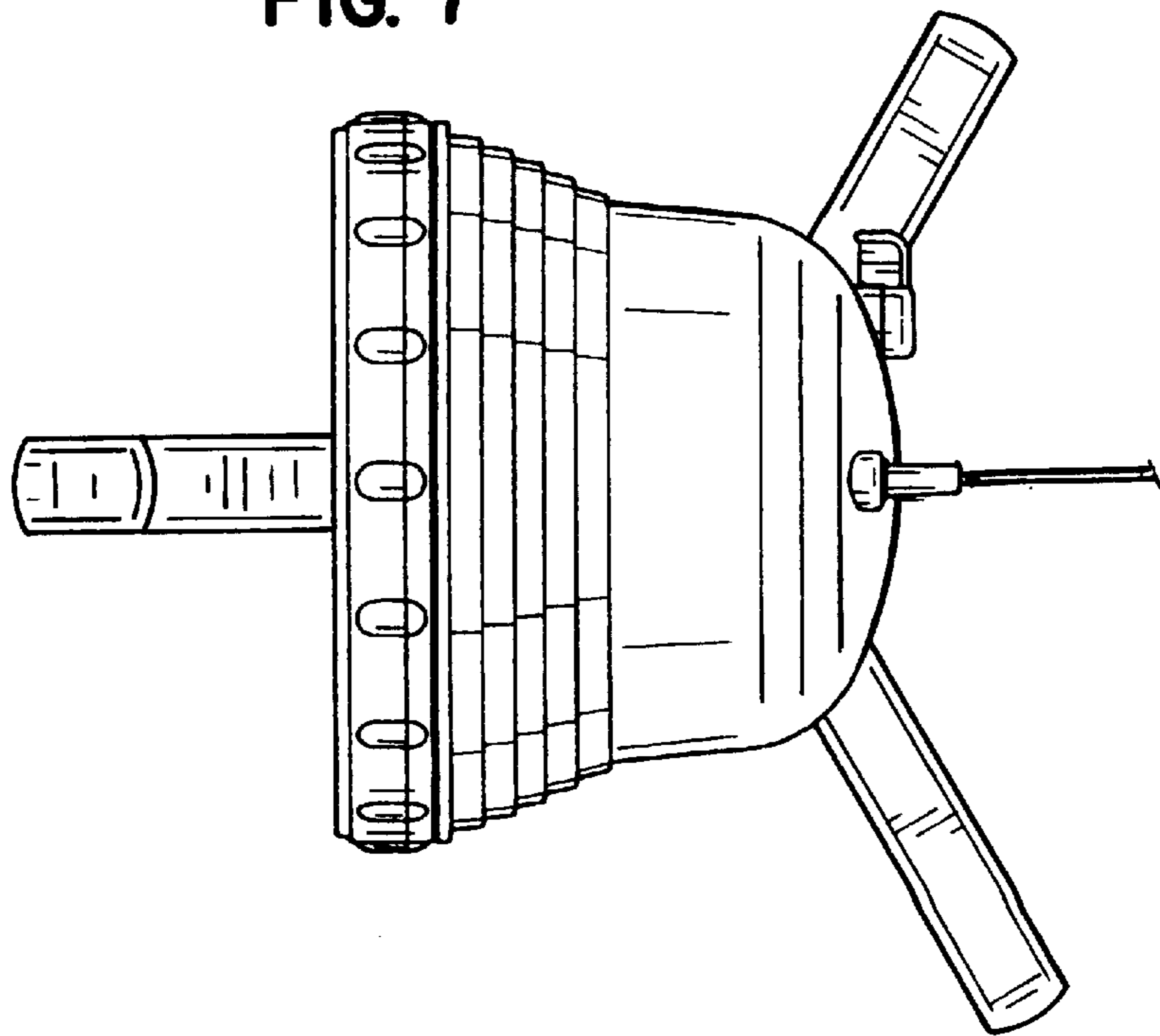


FIG. 8

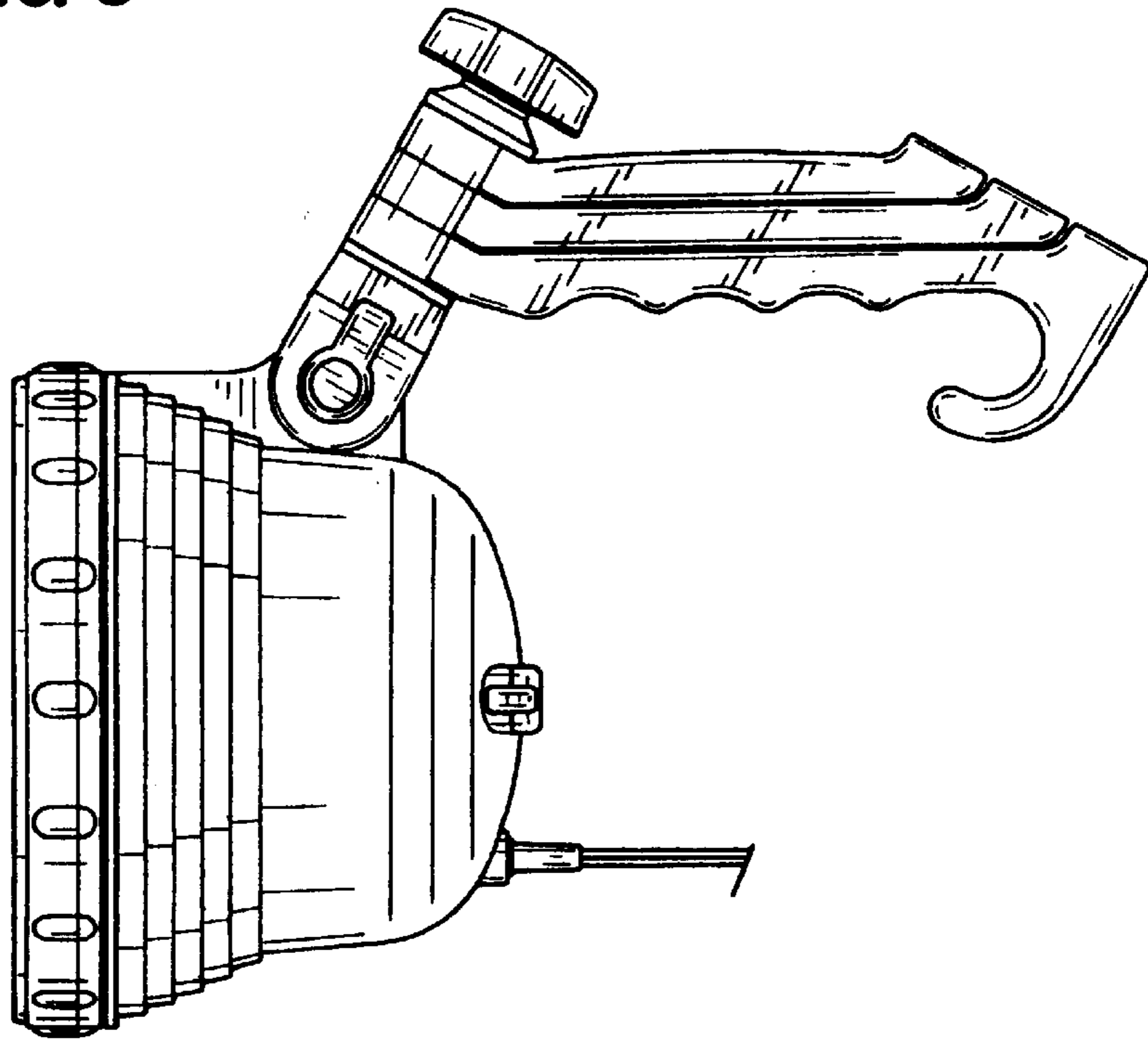


FIG. 9

