



US00D438996S

(12) **United States Design Patent**
Neiser

(10) **Patent No.:** **US D438,996 S**

(45) **Date of Patent:** **** Mar. 13, 2001**

(54) **GAME LIGHT**

D. 426,860 * 6/2000 Ho D21/333

(75) Inventor: **Gabe Neiser**, Rego Park, NY (US)

* cited by examiner

(73) Assignee: **Arista Enterprises Inc.**, Hauppauge, NY (US)

Primary Examiner—Marcus A. Jackson

(74) *Attorney, Agent, or Firm*—Keusey & Tutunjian, P. C.

(**) Term: **14 Years**

(57) **CLAIM**

(21) Appl. No.: **29/126,143**

The ornamental design for a game light, as shown and described.

(22) Filed: **Jul. 7, 2000**

DESCRIPTION

(51) **LOC (7) Cl.** **26-02**

FIG. 1 is a perspective view of the game light showing my new design;

(52) **U.S. Cl.** **D26/38**

FIG. 2 is a front view thereof;

(58) **Field of Search** D26/37-50; D21/330, D21/333, 385; 362/26, 86, 135, 257, 362, 365

FIG. 3 is a left side view thereof;

FIG. 4 is rear view thereof;

FIG. 5 is a right side view thereof;

FIG. 6 is a top view thereof; and,

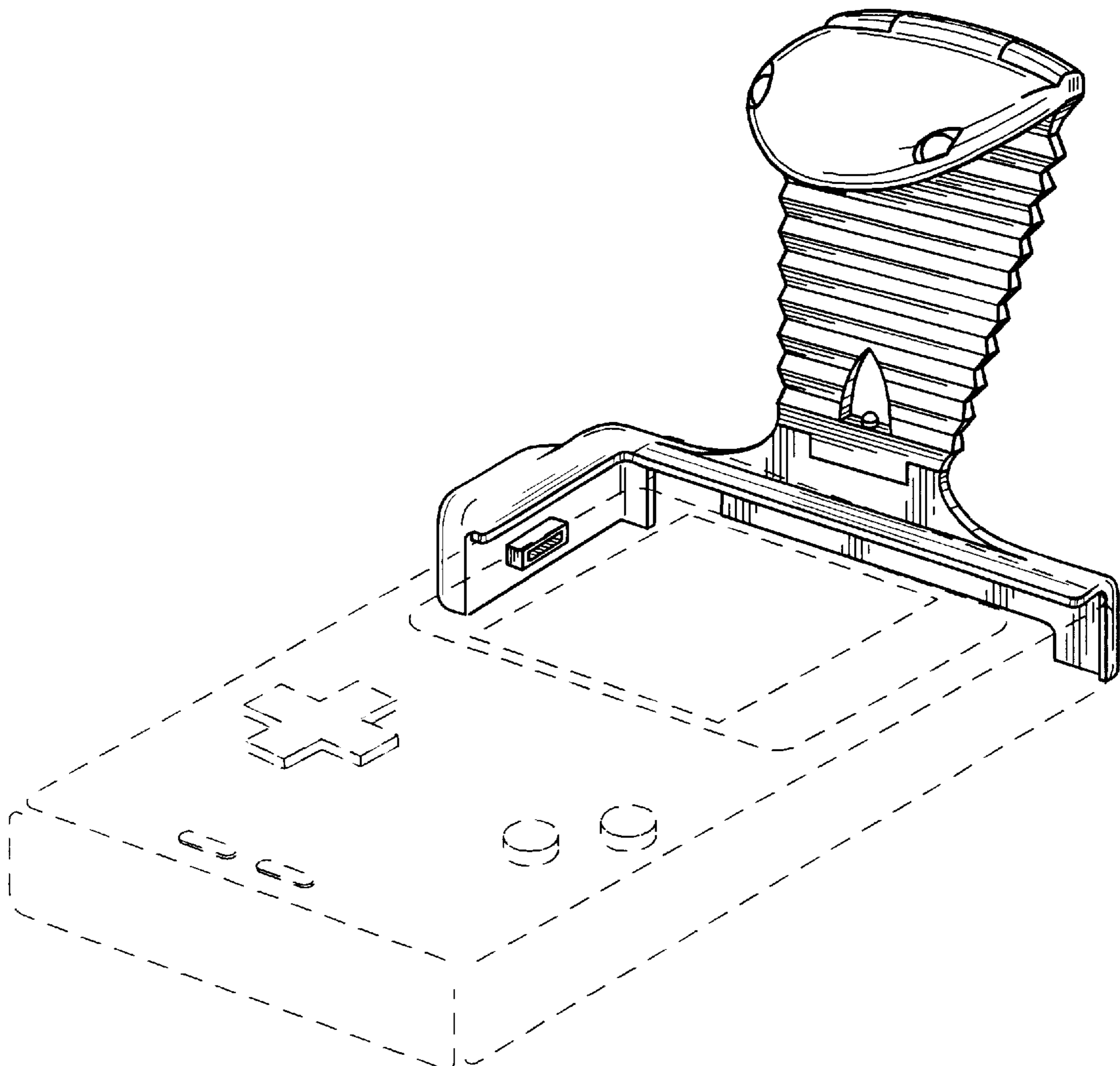
FIG. 7 is a bottom view thereof.

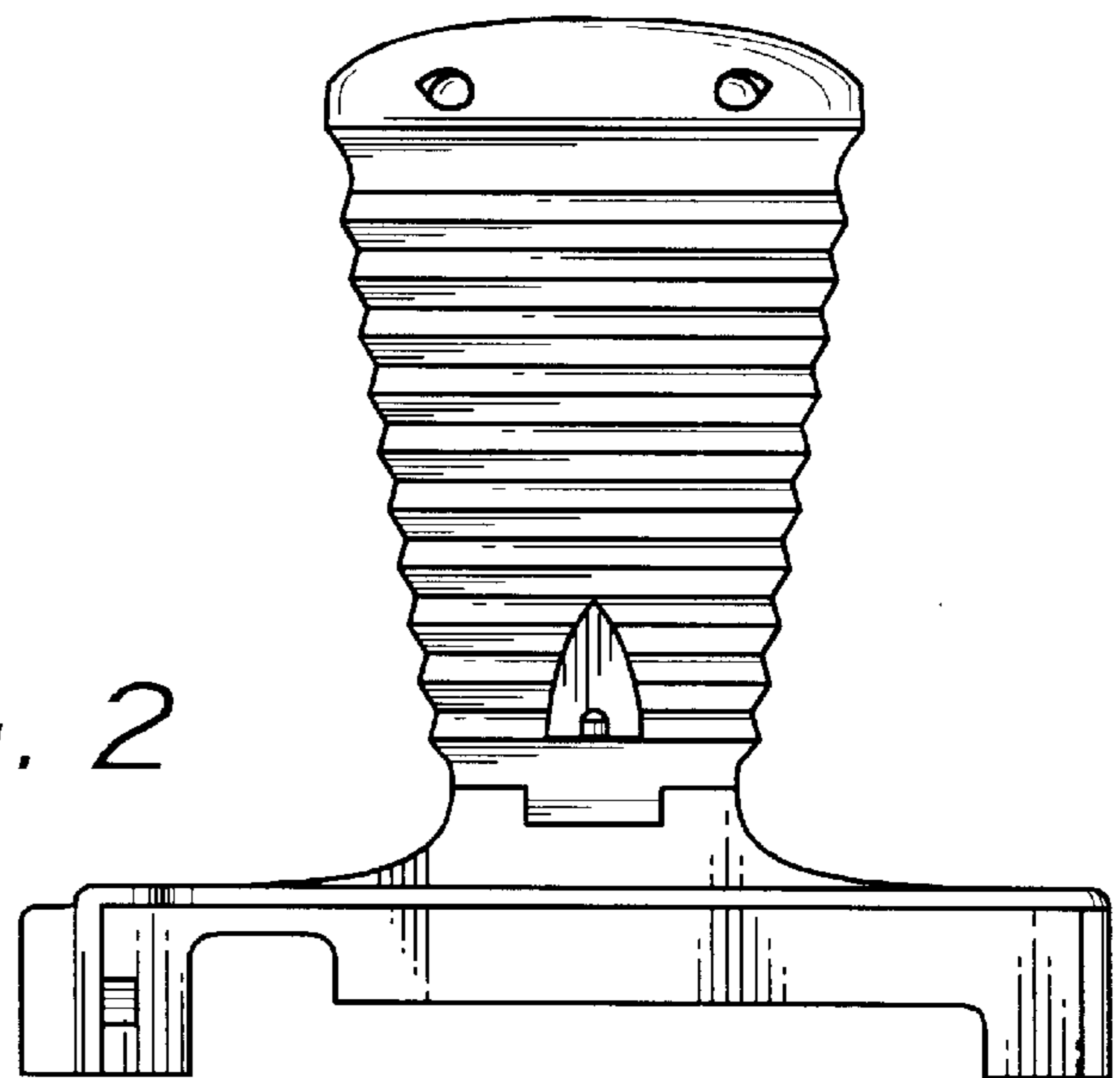
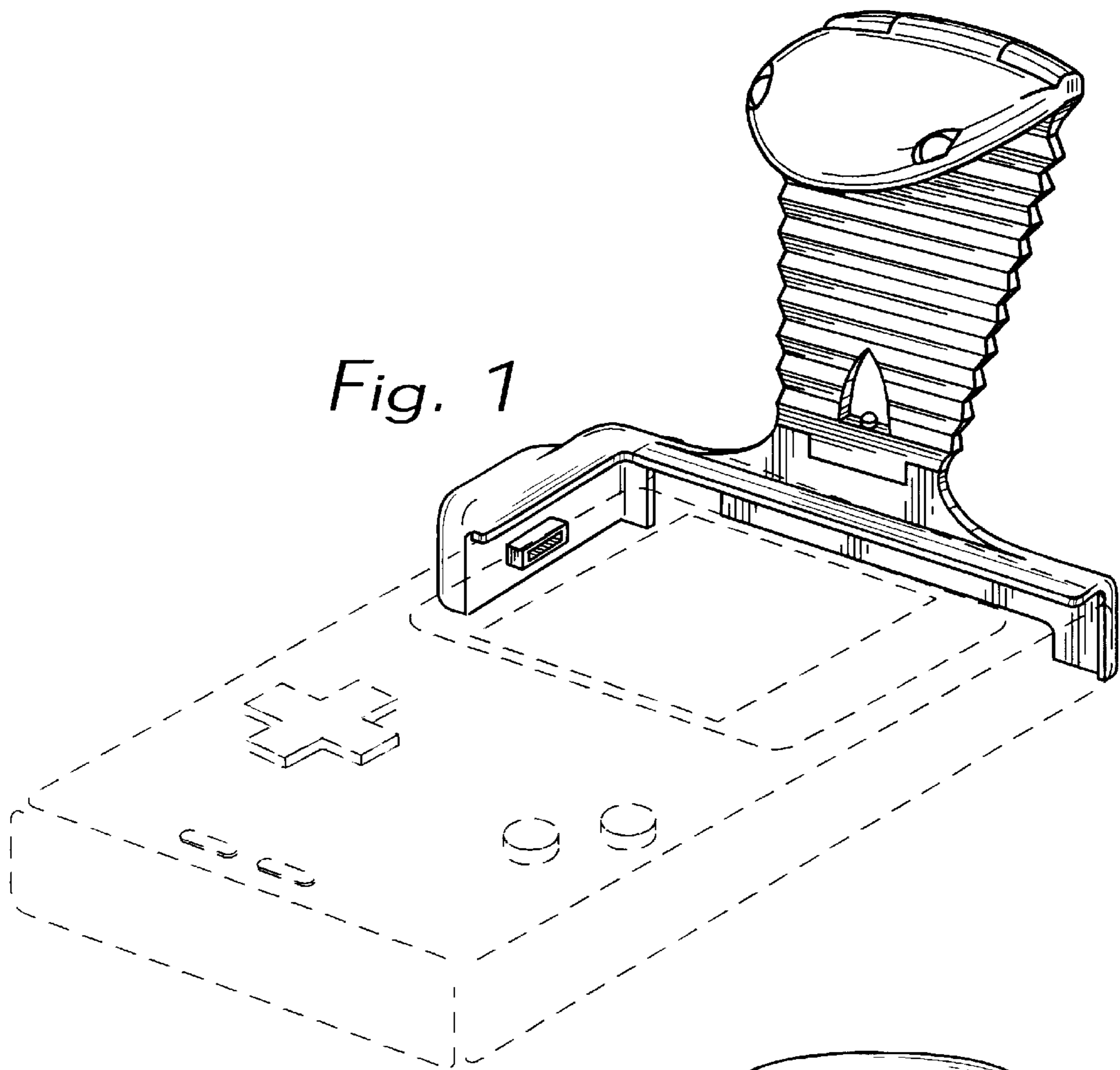
(56) **References Cited**

U.S. PATENT DOCUMENTS

D. 416,948 * 11/1999 Soga D21/333

1 Claim, 3 Drawing Sheets





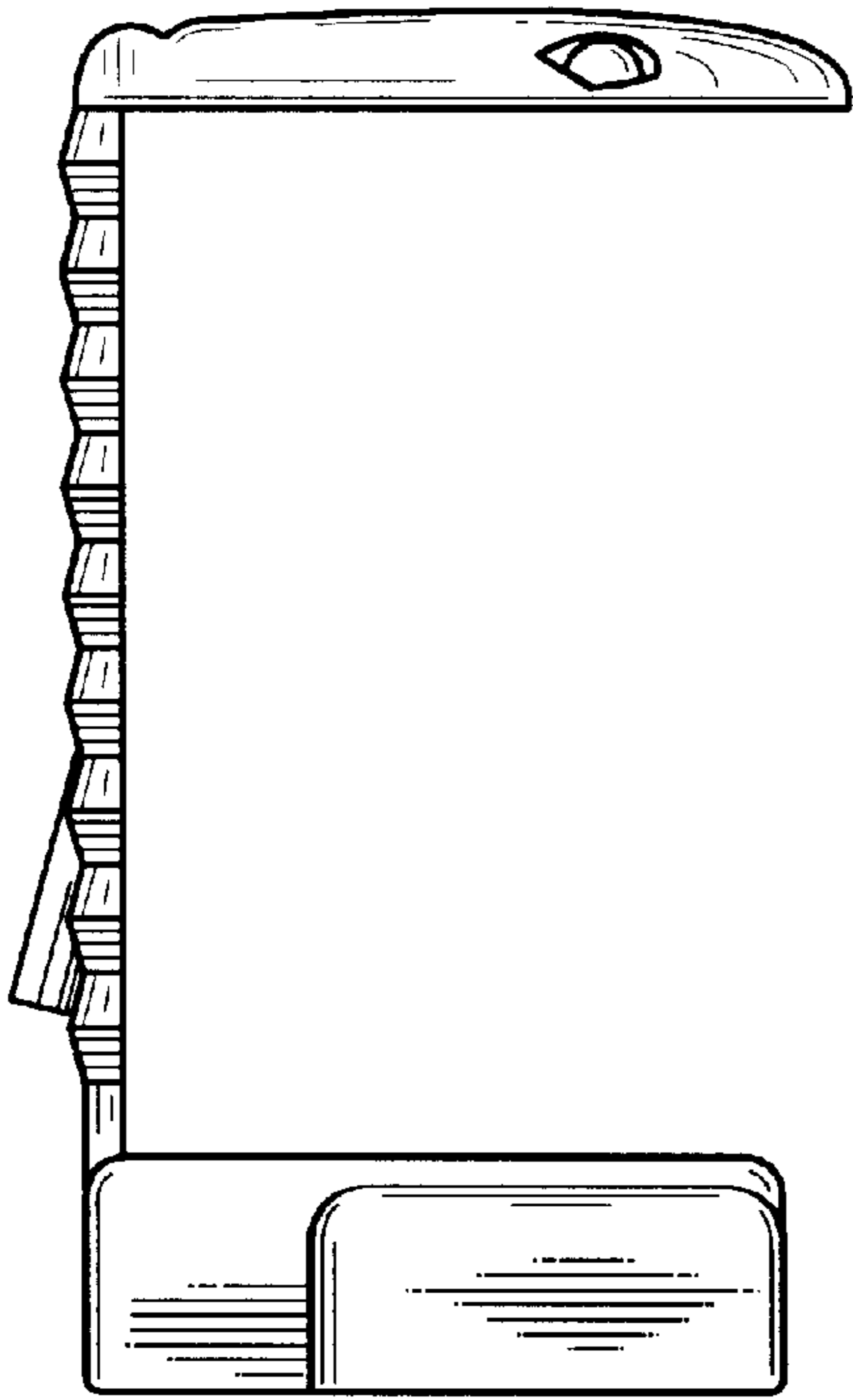


Fig. 3

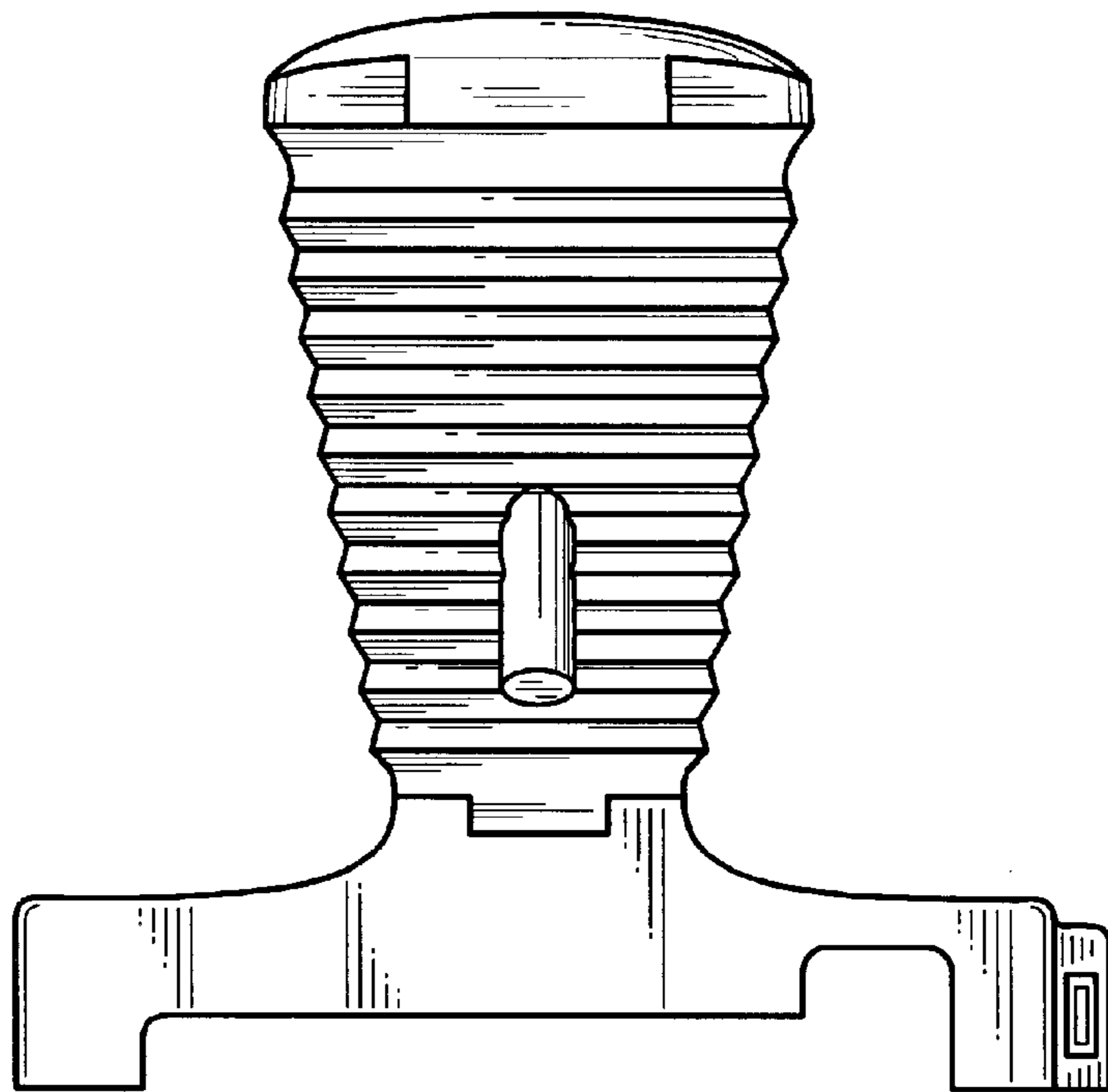


Fig. 4

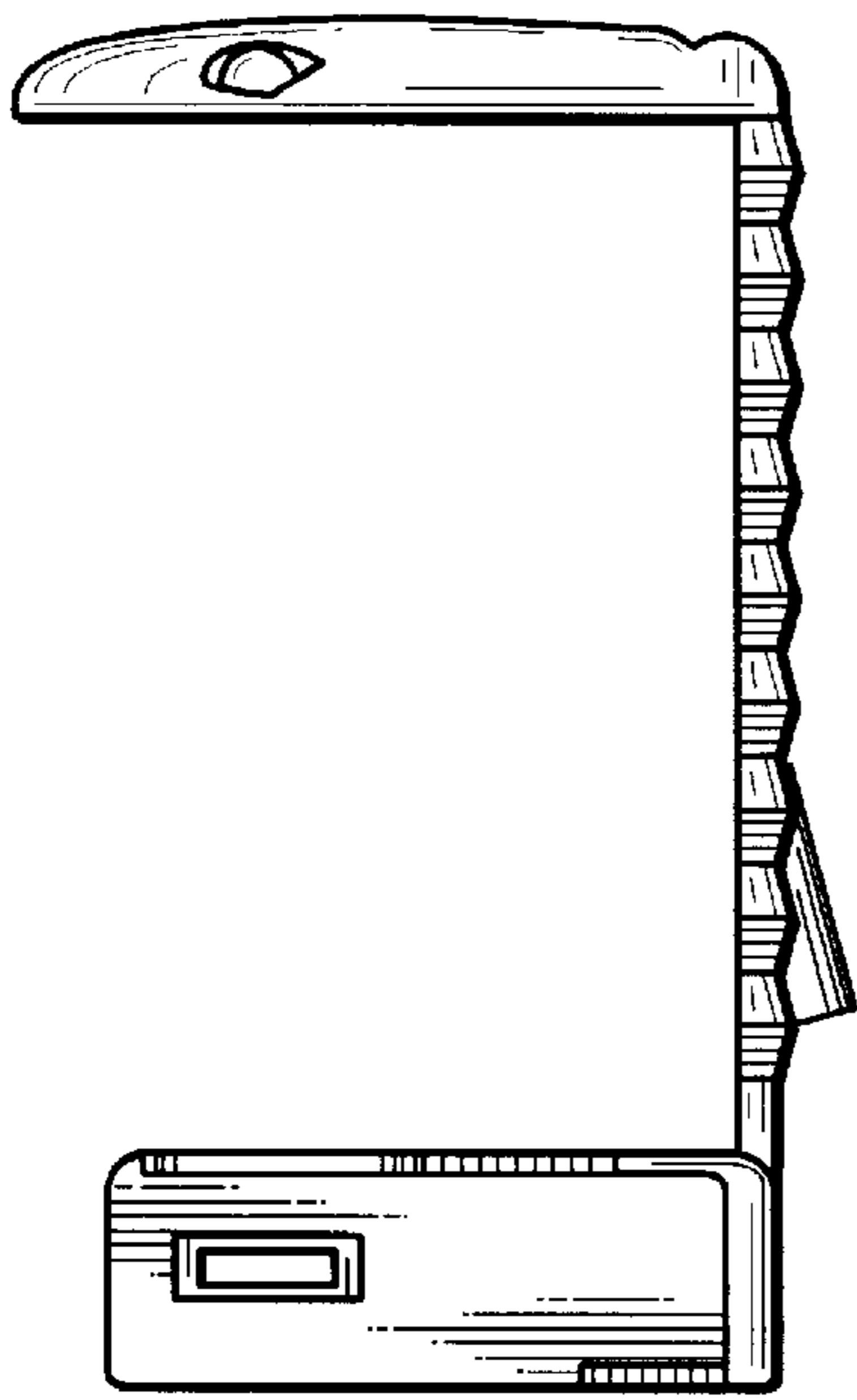


Fig. 5

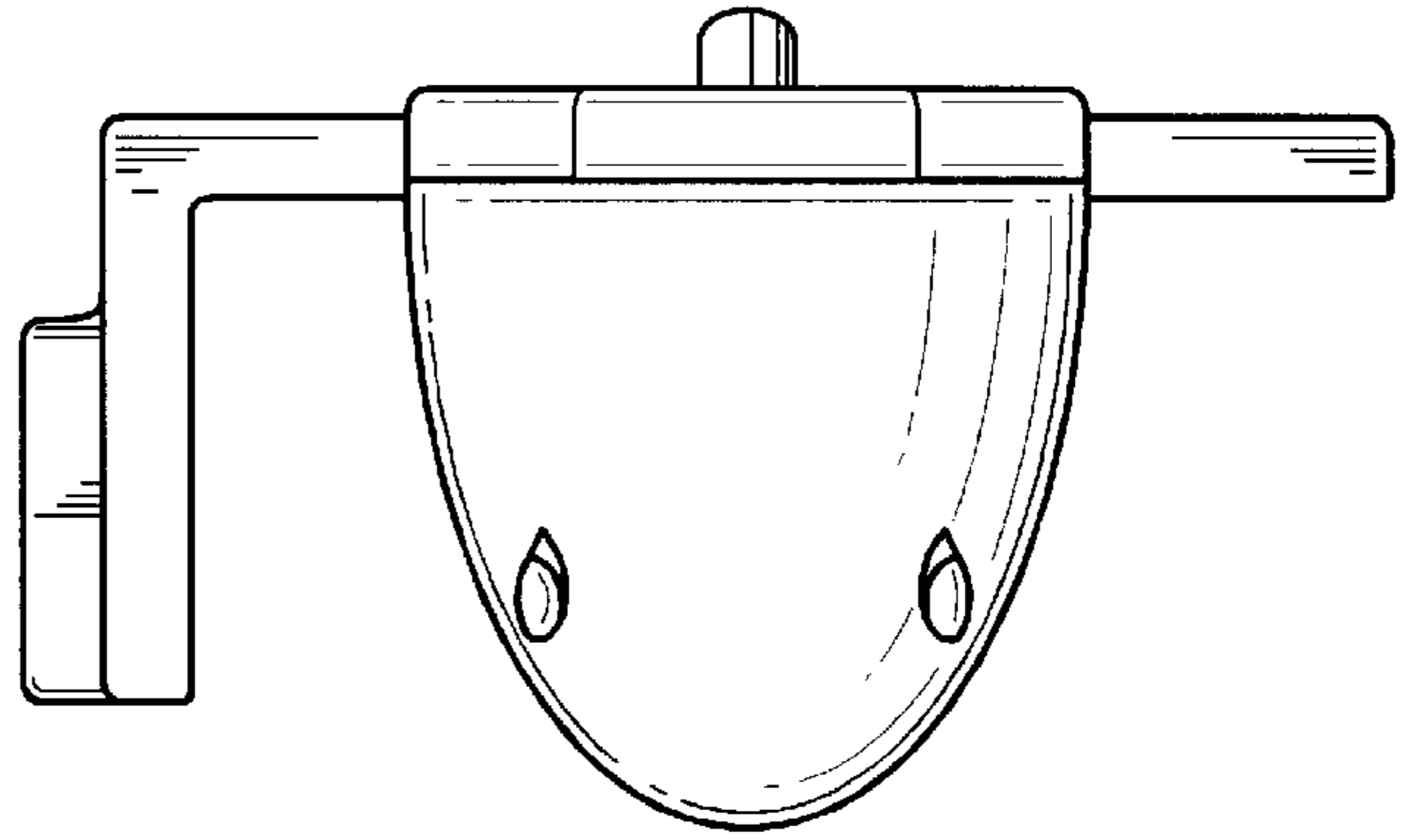


Fig. 6

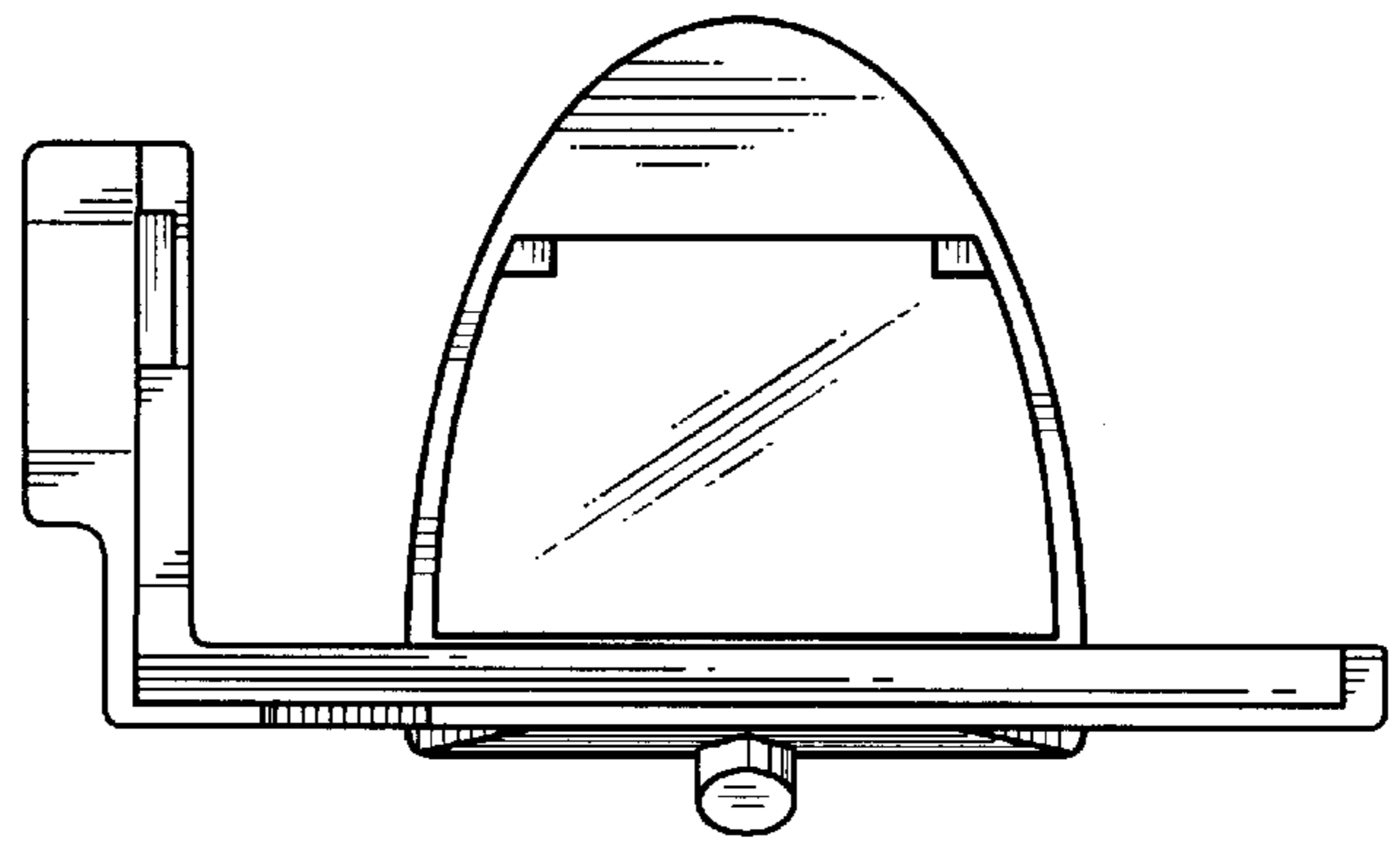


Fig. 7