



US00D438995S

(12) **United States Design Patent**
Yuen

(10) **Patent No.:** **US D438,995 S**

(45) **Date of Patent:** **** Mar. 13, 2001**

(54) **LANTERN**

D. 427,698 7/2000 Yuen .

D. 428,172 * 7/2000 Yuen D26/38

(75) Inventor: **Se Kit Yuen**, Kwun Tong (HK)

* cited by examiner

(73) Assignee: **John Manufacturing Limited**,
Kowloon (CN)

Primary Examiner—Marcus A. Jackson

(74) *Attorney, Agent, or Firm*—Merchant & Gould P.C.

(**) Term: **14 Years**

(57) **CLAIM**

(21) Appl. No.: **29/125,975**

The ornamental design for a lantern, as shown and described.

(22) Filed: **Jul. 5, 2000**

DESCRIPTION

(30) **Foreign Application Priority Data**

Jan. 6, 2000 (KR) 2089259

(51) **LOC (7) Cl.** **26-02**

(52) **U.S. Cl.** **D26/38; D26/42**

(58) **Field of Search** D26/37-50; D14/137,
D14/168, 188, 189; 362/157, 159, 183-208

FIG. 1 is a front plan view of an embodiment of a lantern showing my new design;

FIG. 2 is a rear plan view thereof;

FIG. 3 is a left side plan view thereof;

FIG. 4 is a right side plan view thereof;

FIG. 5 is a top plan view thereof;

FIG. 6 is bottom plan view thereof;

FIG. 7 is a figure similar to that shown in FIG. 1 in an alternative position;

FIG. 8 is a figure similar to that shown in FIG. 3 in an alternative position; and,

FIG. 9 is a figure similar to that shown in FIG. 1 in a second alternative position.

(56) **References Cited**

U.S. PATENT DOCUMENTS

D. 356,649 3/1995 Yuen .

D. 376,864 12/1996 Yuen .

D. 385,983 * 11/1997 Wan D26/38

D. 395,721 * 6/1998 Wan D26/38

D. 423,127 * 4/2000 Yuen D26/38

1 Claim, 4 Drawing Sheets

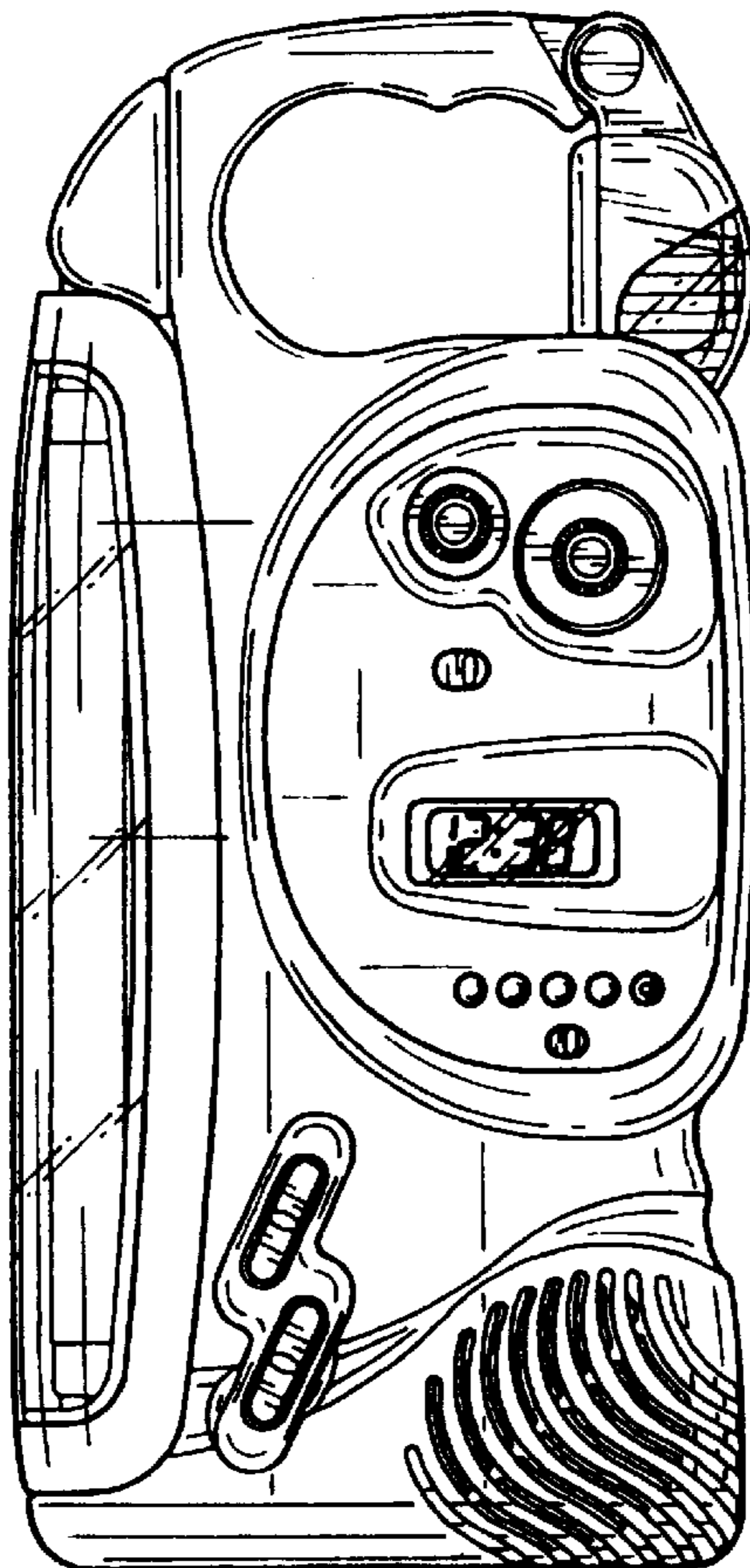


FIG. 1

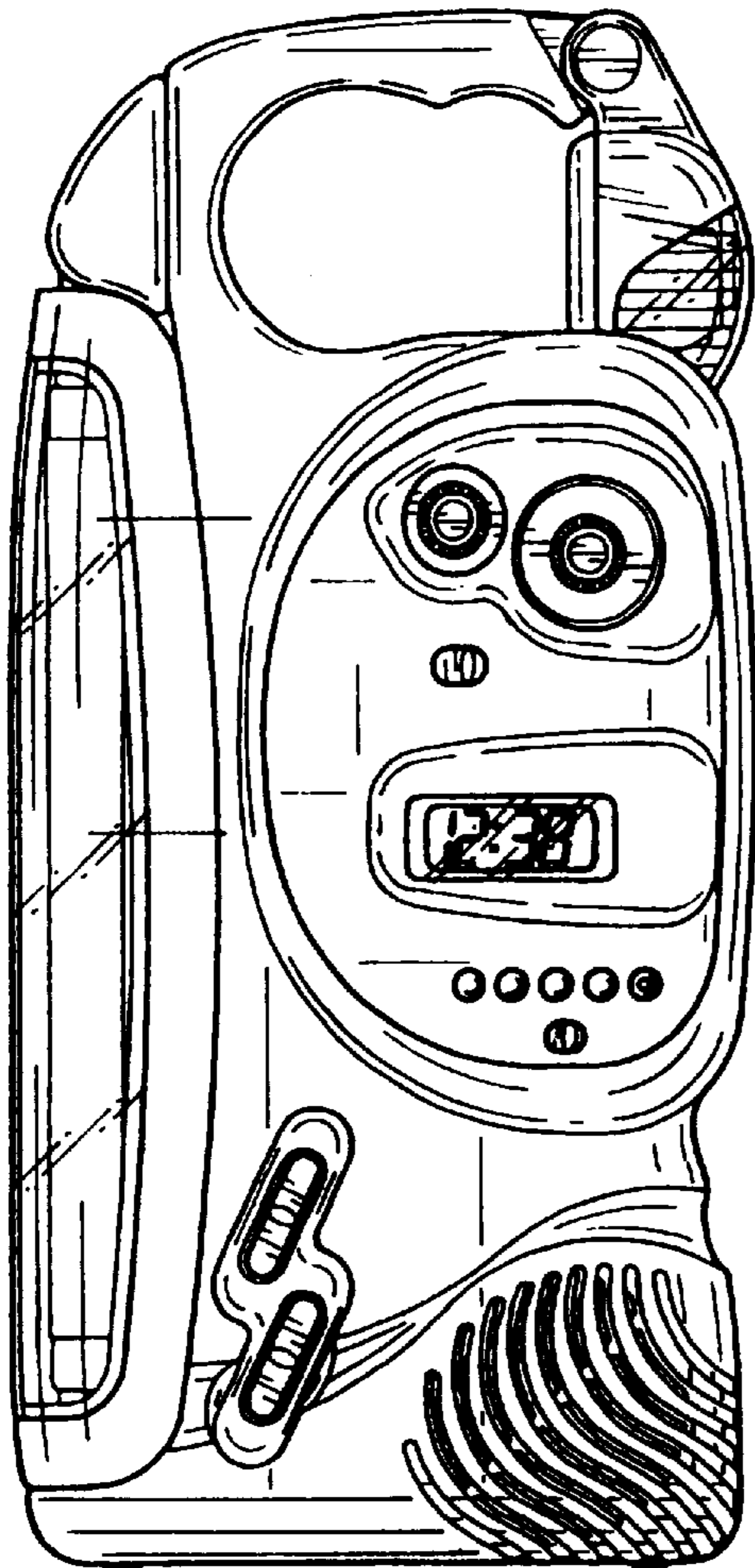


FIG. 2

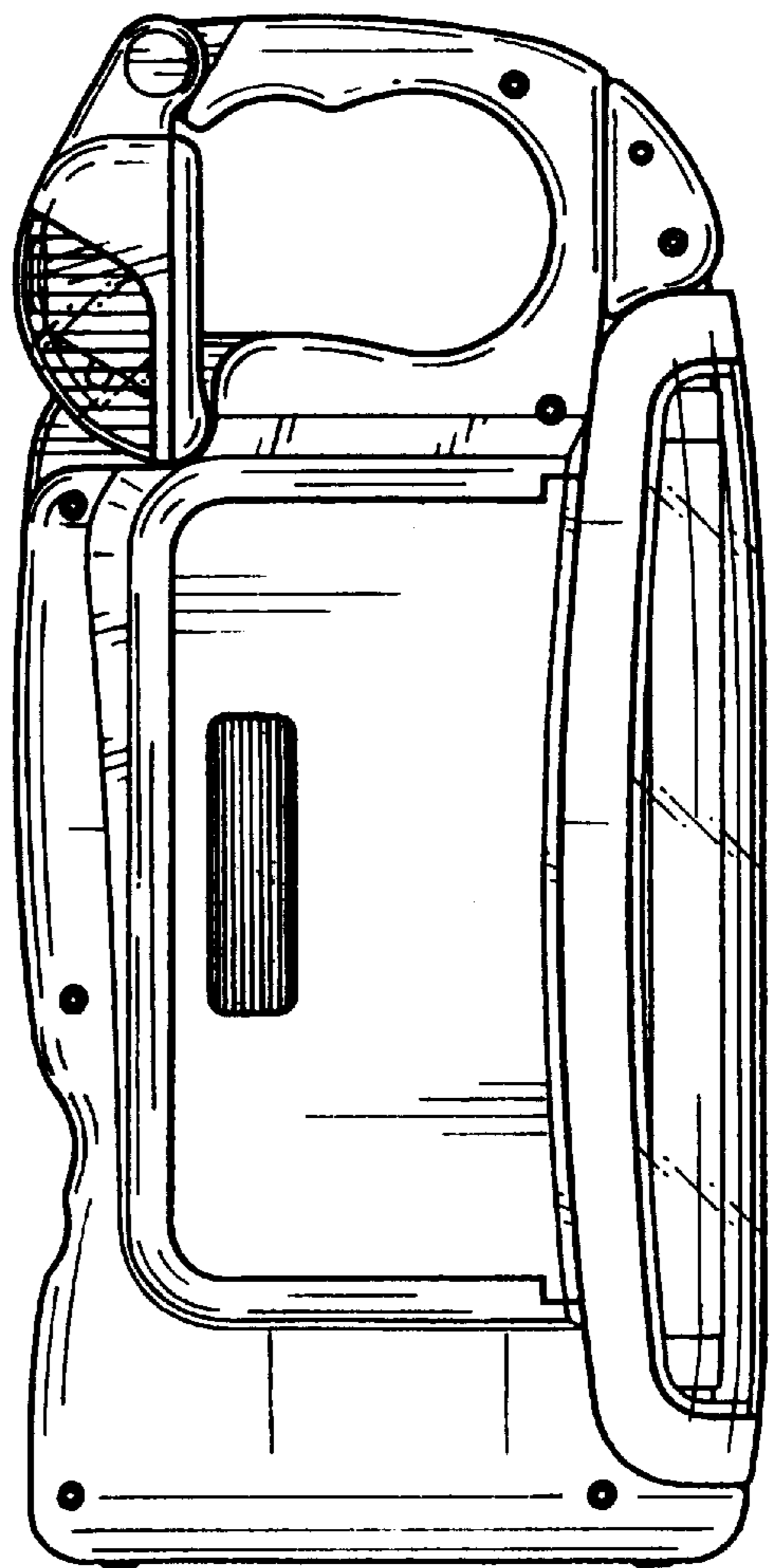


FIG. 3

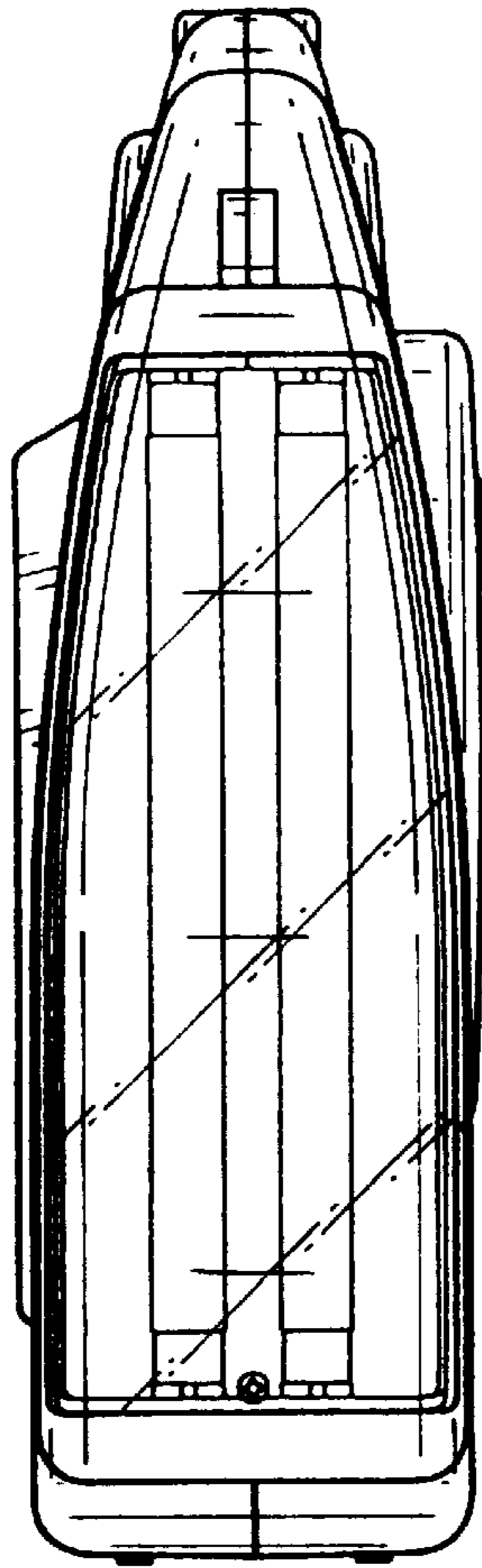


FIG. 4

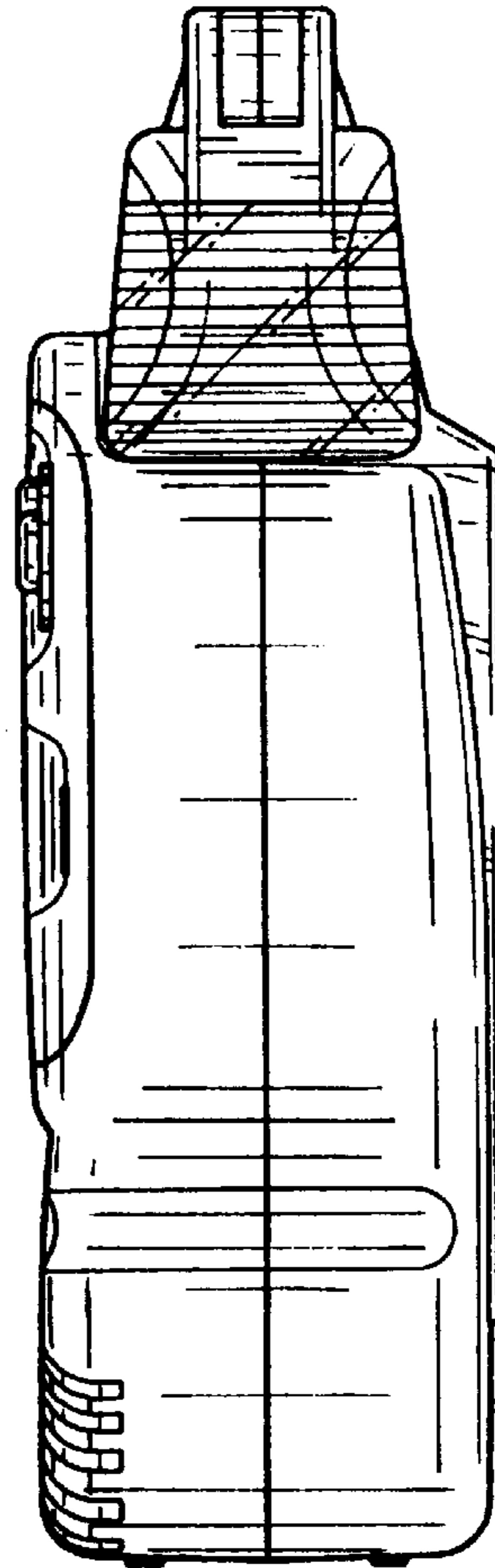


FIG. 5

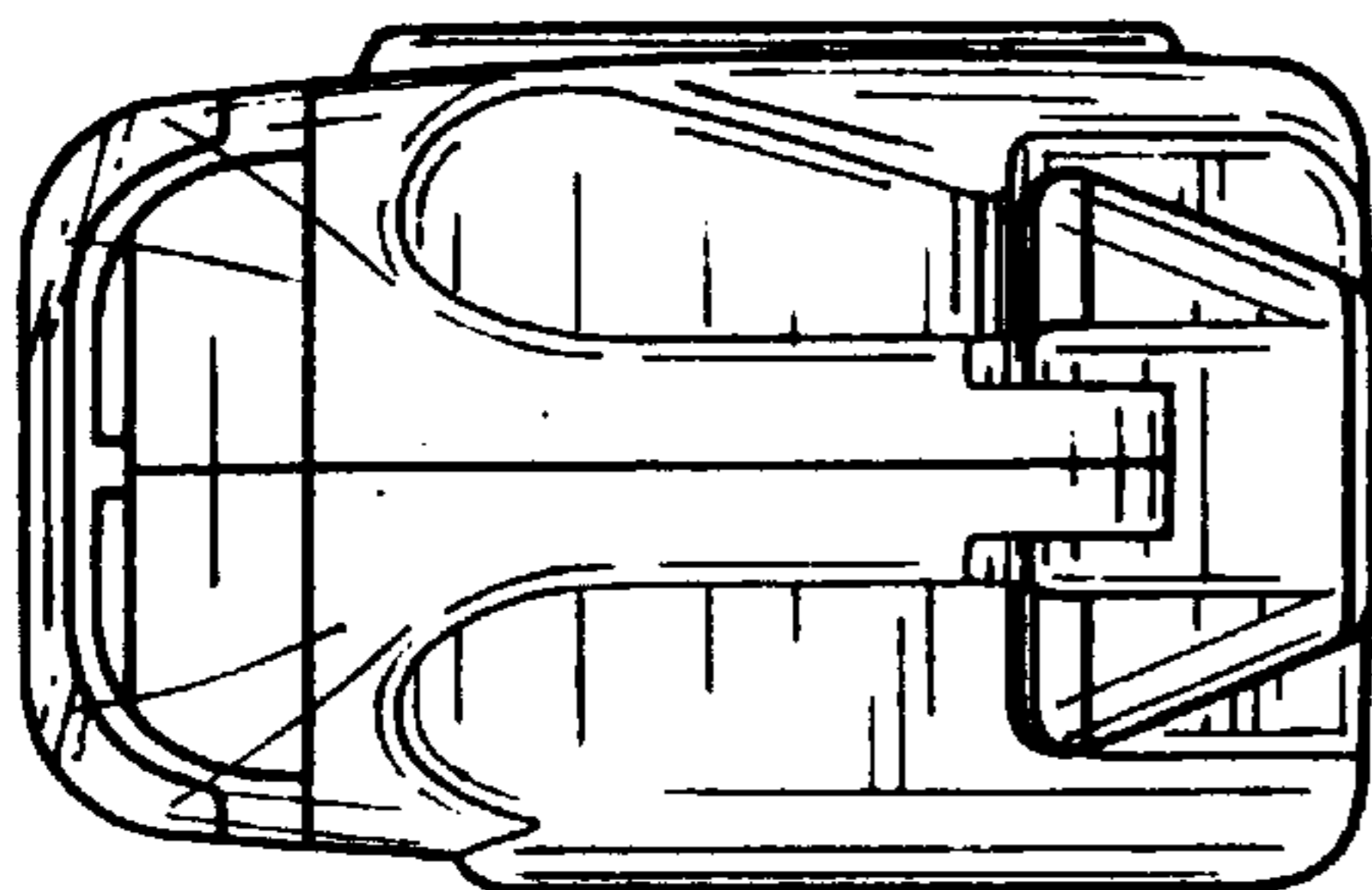


FIG. 6

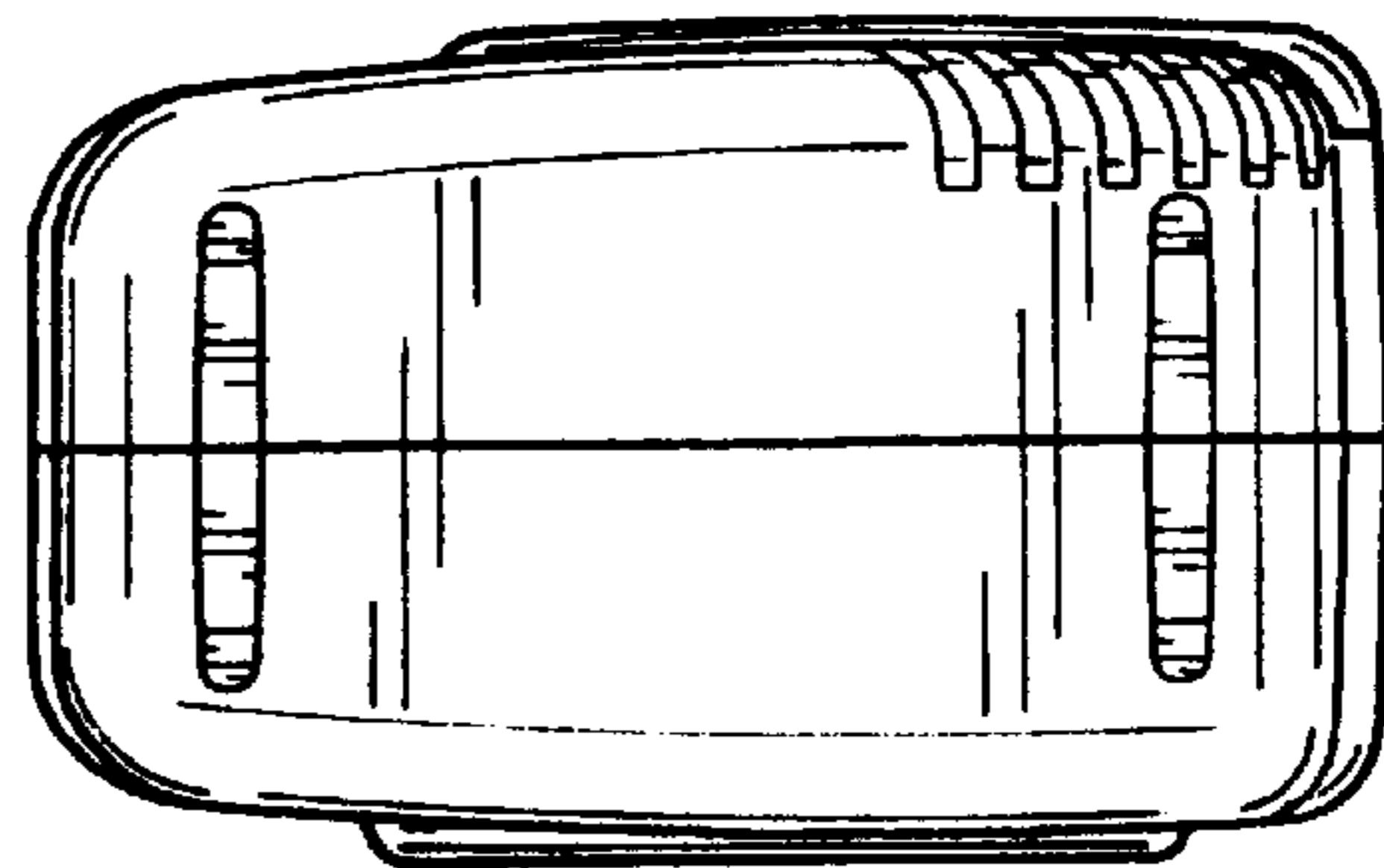


FIG. 7

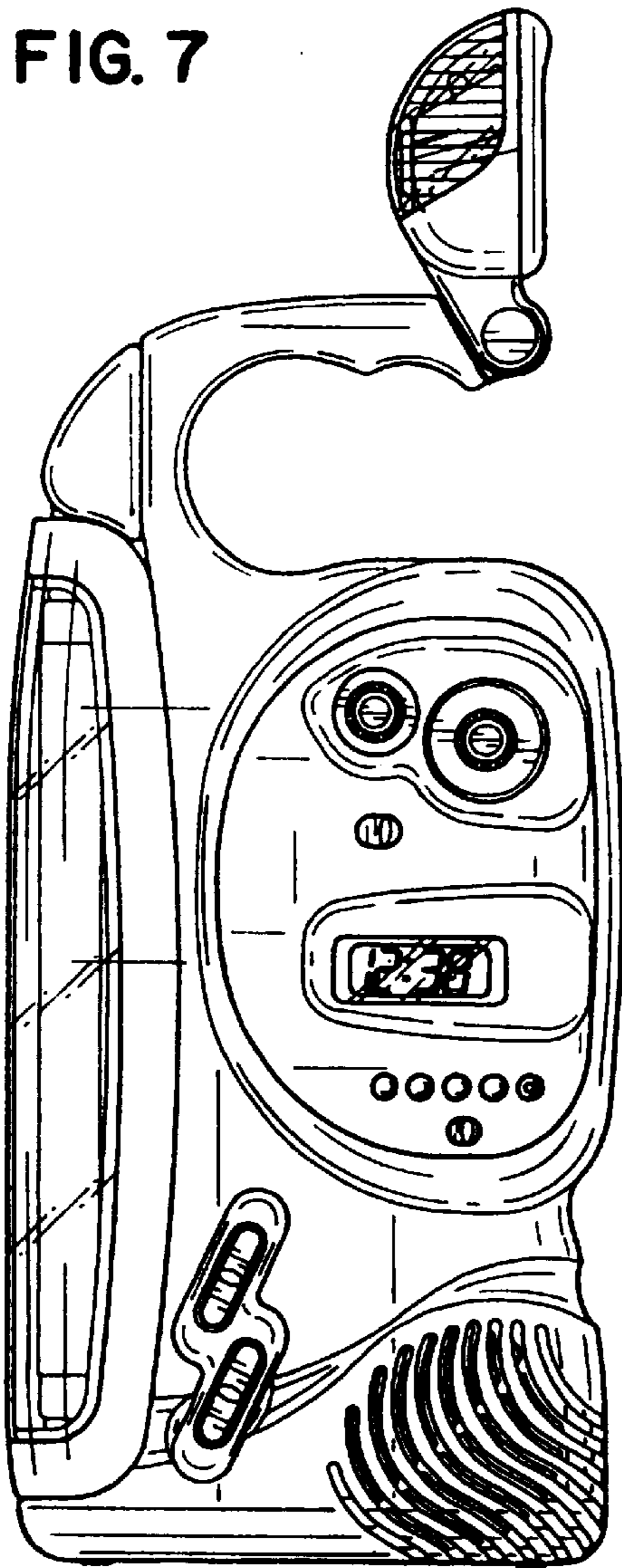


FIG. 8

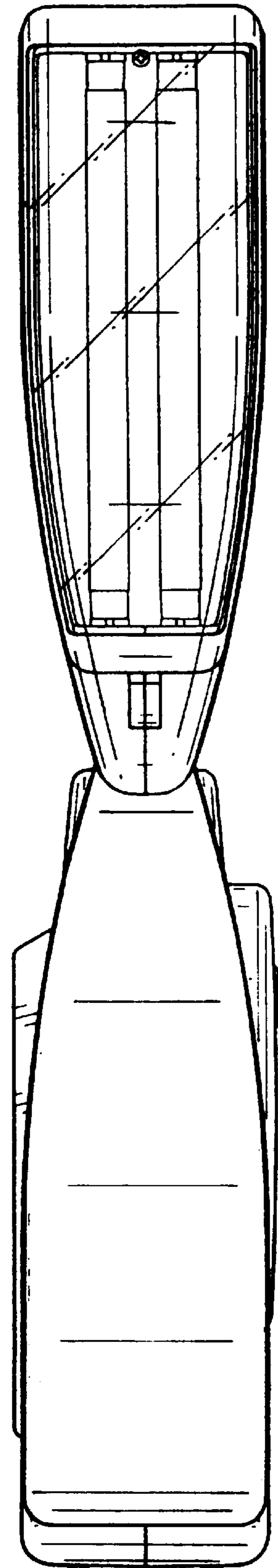


FIG. 9

