



US00D438992S

(12) **United States Design Patent**
Chrisco et al.

(10) **Patent No.:** **US D438,992 S**

(45) **Date of Patent:** **** Mar. 13, 2001**

(54) **LANDSCAPE TIMBER**

(75) Inventors: **Larry L. Chrisco**, Fairland; **Charles L. Forbis**, Quapaw, both of OK (US)

(73) Assignee: **Blitz U.S.A., Inc.**, Miami, OK (US)

(**) Term: **14 Years**

(21) Appl. No.: **29/104,953**

(22) Filed: **May 17, 1999**

(51) **LOC (7) Cl.** **25-01**

(52) **U.S. Cl.** **D25/164**

(58) **Field of Search** D8/1; 49/33, 49;
D25/164; 52/233, 590.2

5,119,587	6/1992	Waltz .
5,163,259	11/1992	Hunsaker et al. .
5,168,678	12/1992	Scott, Jr. et al. .
5,259,154	11/1993	Lilley .
5,283,994	2/1994	Callison .
5,542,787	8/1996	Charlanow .
5,675,930	10/1997	Cooper .

Primary Examiner—Doris Clark

(74) *Attorney, Agent, or Firm*—Hovey, Williams, Timmons & Collins

(57) **CLAIM**

The ornamental design for a landscape timber, as shown and described.

DESCRIPTION

FIG. 1 is a perspective view showing two timbers interconnected;
 FIG. 2 is a top plan view;
 FIG. 3 is a side elevational view;
 FIG. 4 is a bottom plan view;
 FIG. 5 is an elevational view of one end of the timber; and
 FIG. 6 is an elevational view of the opposite end of the timber; and,
 FIG. 7 is a fragmentary view showing the end cap on the timber.

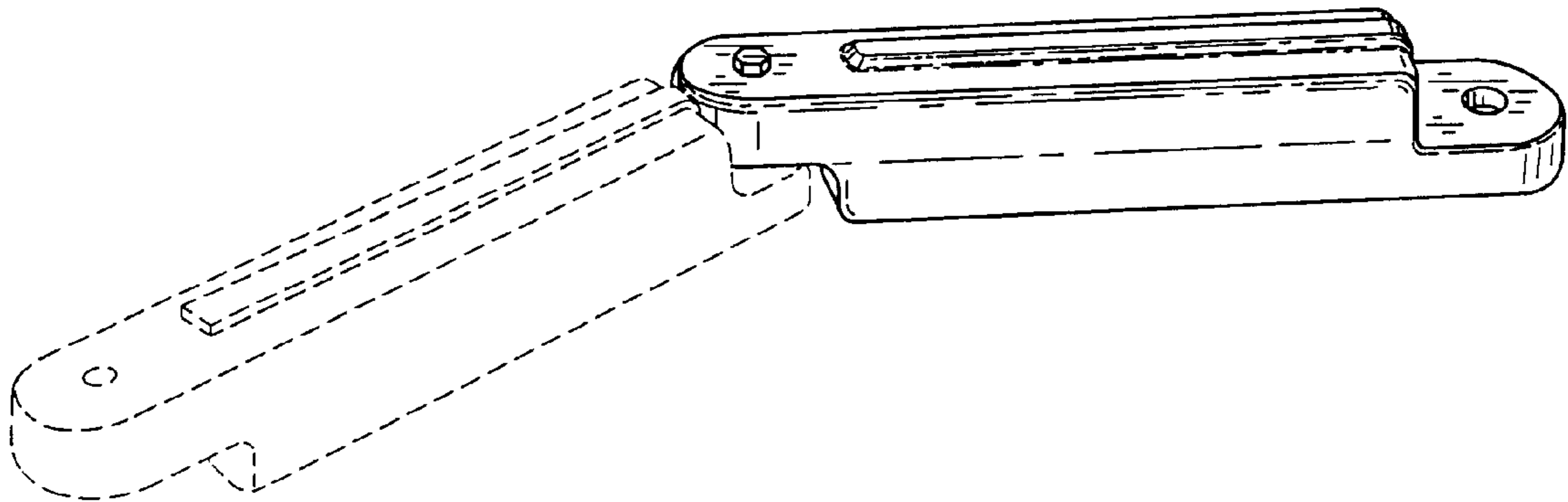
The broken lines are for illustrative purposes only and form no part of the claimed design.

1 Claim, 1 Drawing Sheet

(56) **References Cited**

U.S. PATENT DOCUMENTS

D. 340,169	10/1993	Scott, Jr. et al. .
D. 346,726	5/1994	Scott, Jr. et al. .
D. 371,446	7/1996	VanDeusen .
D. 372,991	8/1996	Ramsey .
D. 388,290	12/1997	Riccobene .
4,776,728	10/1988	Sprehn .
4,834,585	5/1989	Hasenwinkle et al. .
4,897,955	2/1990	Winsor .
4,905,409	3/1990	Cole .
4,910,910	3/1990	Jones .
4,982,535	1/1991	Pickett .
5,003,746	4/1991	Wilston .



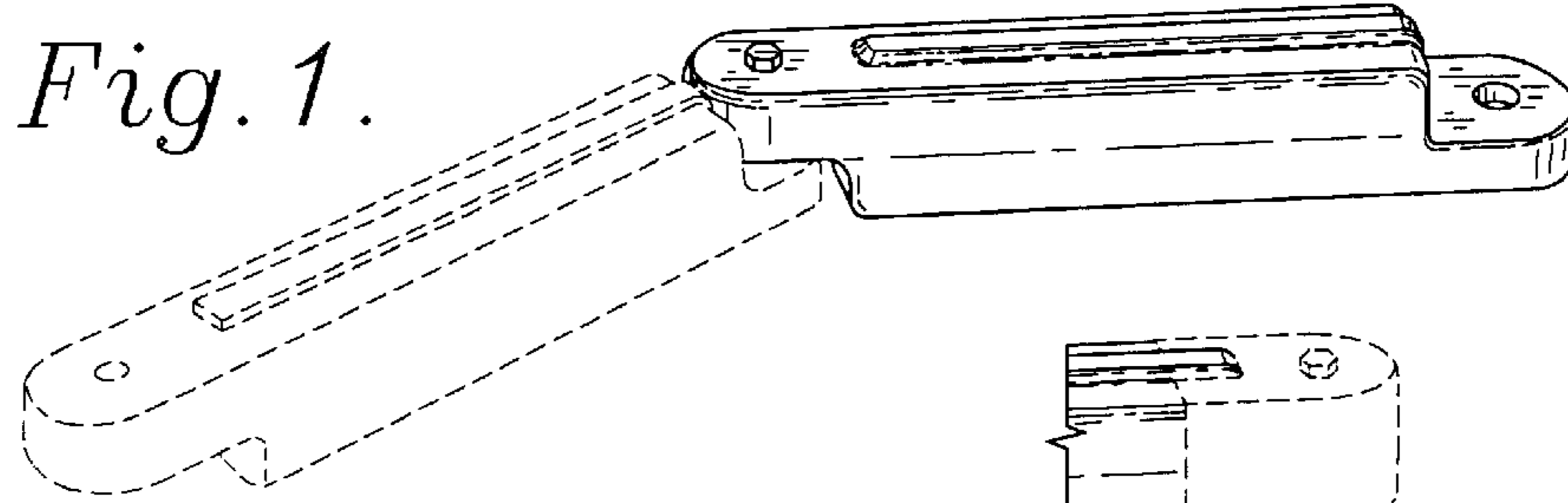


Fig. 1.

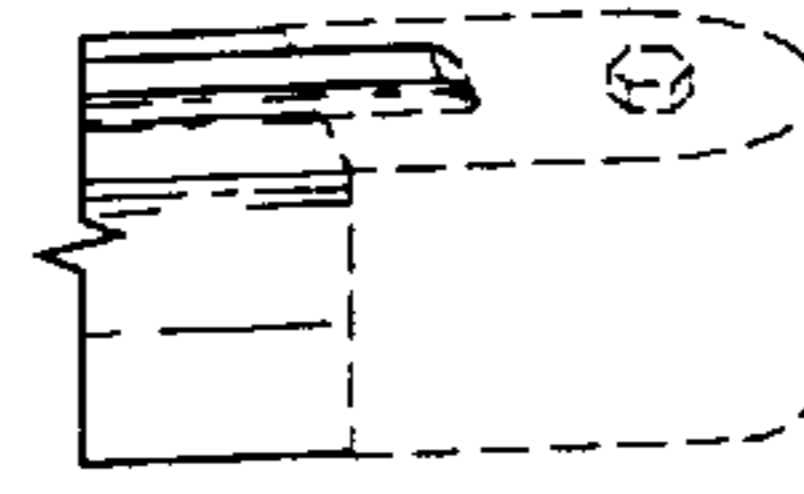


Fig. 7.

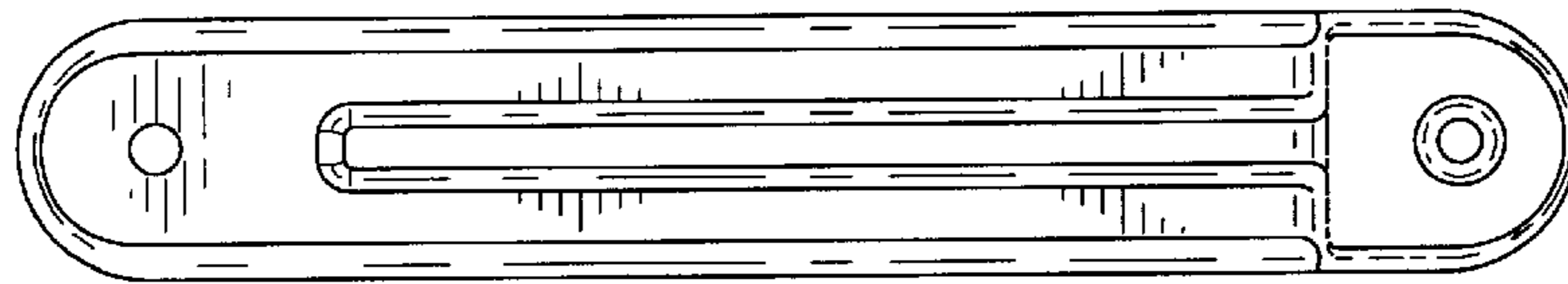


Fig. 2.

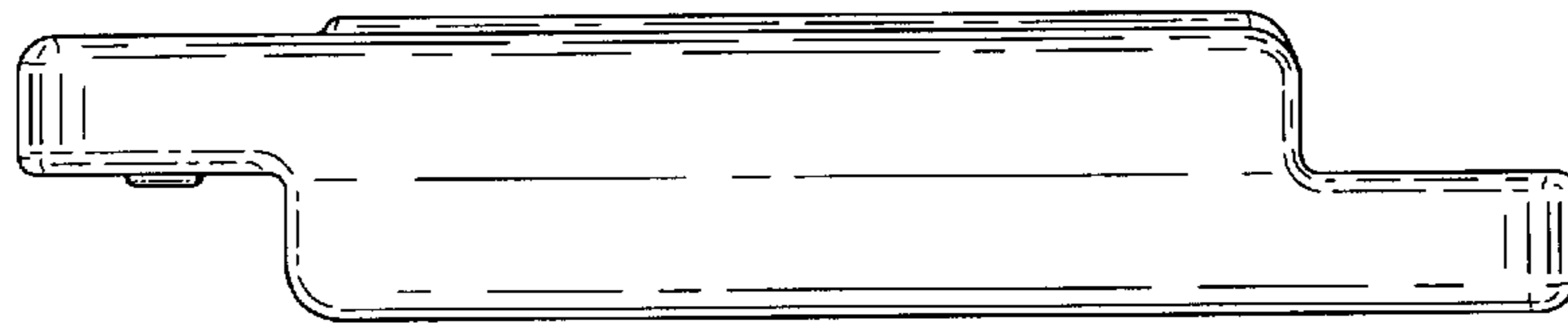


Fig. 3.

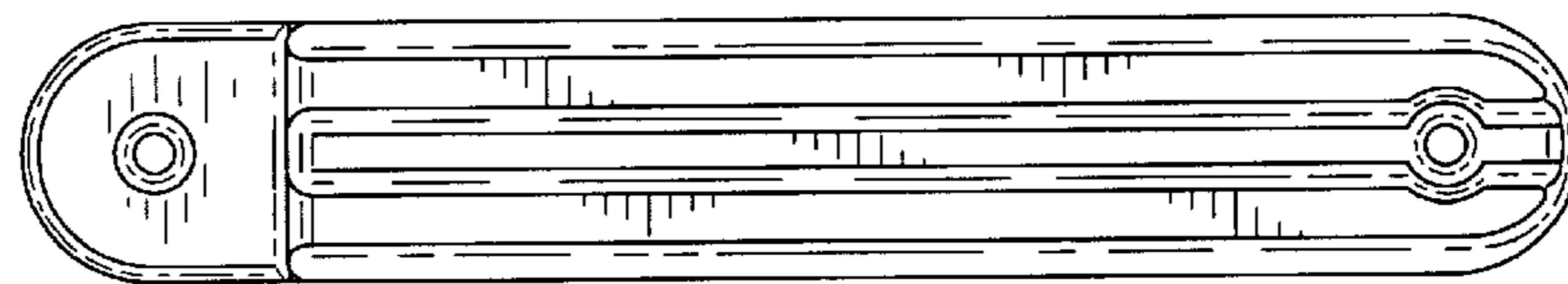


Fig. 4.

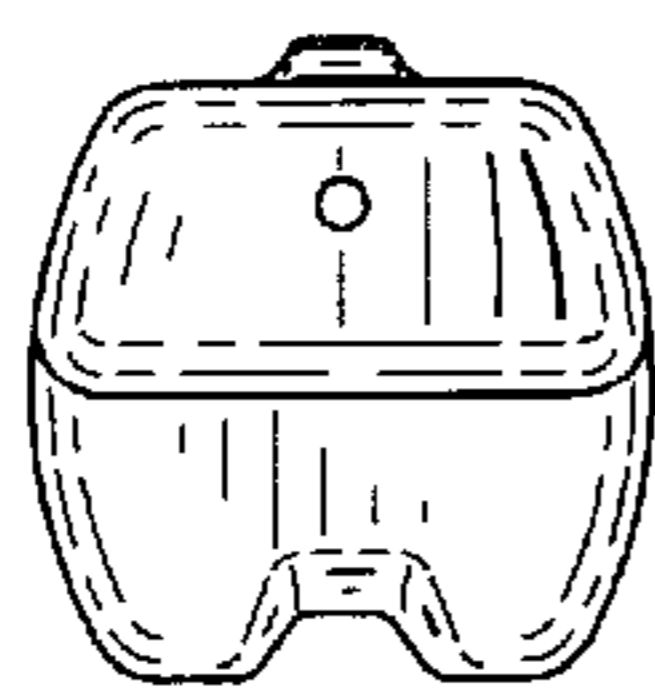


Fig. 6.

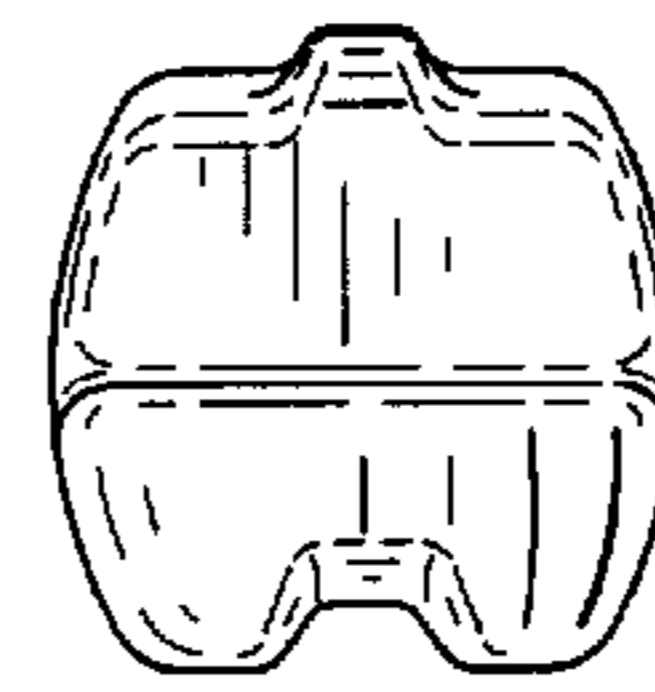


Fig. 5.