



US00D438988S

(12) **United States Design Patent**
Dean, Jr.

(10) **Patent No.:** **US D438,988 S**

(45) **Date of Patent:** **** Mar. 13, 2001**

(54) **EDGING BLOCK**

5,163,777 11/1992 Krueger et al. .
5,564,240 * 10/1996 Dean, Jr. 52/561 X

(75) Inventor: **Robert W. Dean, Jr.**, Shorewood, WI (US)

FOREIGN PATENT DOCUMENTS

(73) Assignee: **Innovative Concrete Design Corp.**, Shorewood, WI (US)

194347 2/1923 (GB) .
2 127 872 * 4/1984 (GB) D25/113

(**) Term: **14 Years**

OTHER PUBLICATIONS

(21) Appl. No.: **29/118,458**

“Product Guide”, Unilock, International Blvd., Brewster, New York, 10509, PM 592 Unilock, Ltd., date unknown.
Verlegebeispiele, Eskoo-Rialta Brochure, pp. 9–10, date unknown.
Hanover Architectural Products, Inc. Brochure, 240 Bender Road, Hanover, PA 17331, PB-1993, pp. 15–16, 1993.

(22) Filed: **Feb. 4, 2000**

Related U.S. Application Data

* cited by examiner

(63) Continuation-in-part of application No. 08/629,526, filed on Sep. 9, 1996, now Pat. No. 6,070,379, which is a continuation of application No. 08/217,061, filed on Mar. 24, 1994, now Pat. No. 5,564,240.

Primary Examiner—Louis S. Zarfes
Assistant Examiner—Robert A Delehanty
(74) *Attorney, Agent, or Firm*—Andrus, Scales, Starke & Sawall, LLP

(51) **LOC (7) Cl.** **25-01**

(52) **U.S. Cl.** **D25/113**

(58) **Field of Search** D25/112–118,
D25/199; D21/484–485, 488–493, 499–505;
52/575, 596–612; 404/34, 37–39, 40–42,
50; 405/284–286

(57) **CLAIM**

The ornamental design of an edging block, as shown and described.

(56) **References Cited**

DESCRIPTION

U.S. PATENT DOCUMENTS

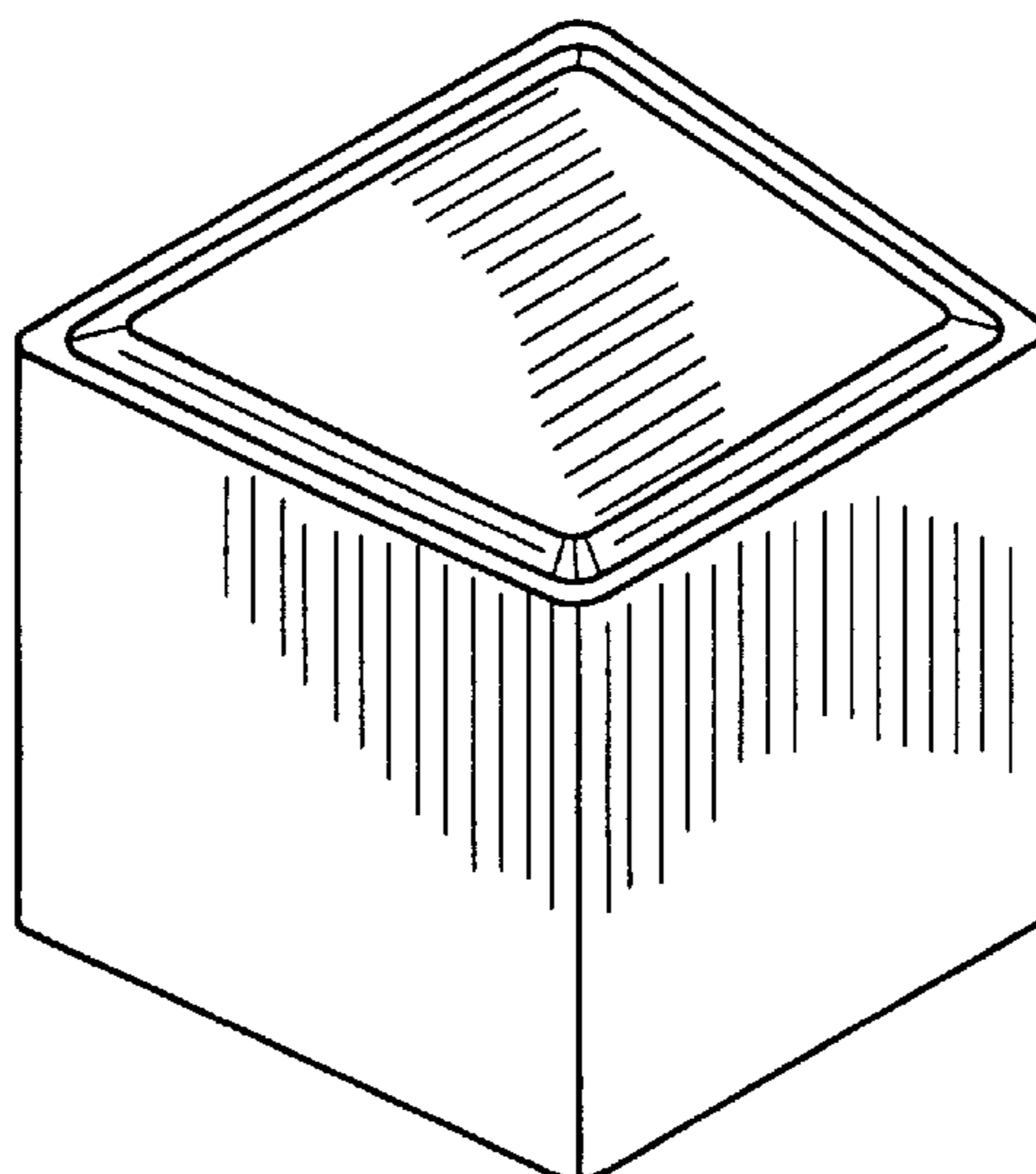
FIG. 1 is a top, side and front perspective view of a block showing my new design, it being understood the opposite side is a mirror image and the back side is a like image thereof;

- Re. 25,615 * 7/1964 Reynolds et al. 52/599
- D. 293,822 * 1/1988 Scheiwiller D25/113
- D. 346,037 * 4/1994 Ingvorsen D25/116 X
- 510,259 12/1893 Higgins .
- 579,271 * 3/1897 Kennedy 52/608
- 986,395 3/1911 King .
- 1,977,021 10/1934 Spencer .
- 2,877,506 * 3/1959 Almoslino D25/113 X
- 3,367,063 * 2/1968 Bondesen et al. D25/118
- 3,418,774 12/1968 Kocher et al. .
- 4,340,360 * 7/1982 Hoedl et al. 432/119

FIG. 2 is a top plan view of the edging block of FIG. 1; and, FIG. 3 is a partial side elevation view of the edging block of FIGS. 1 and 2.

The surface or portion of the article not shown in the drawing or described in the specification form no part of the claimed design.

1 Claim, 1 Drawing Sheet



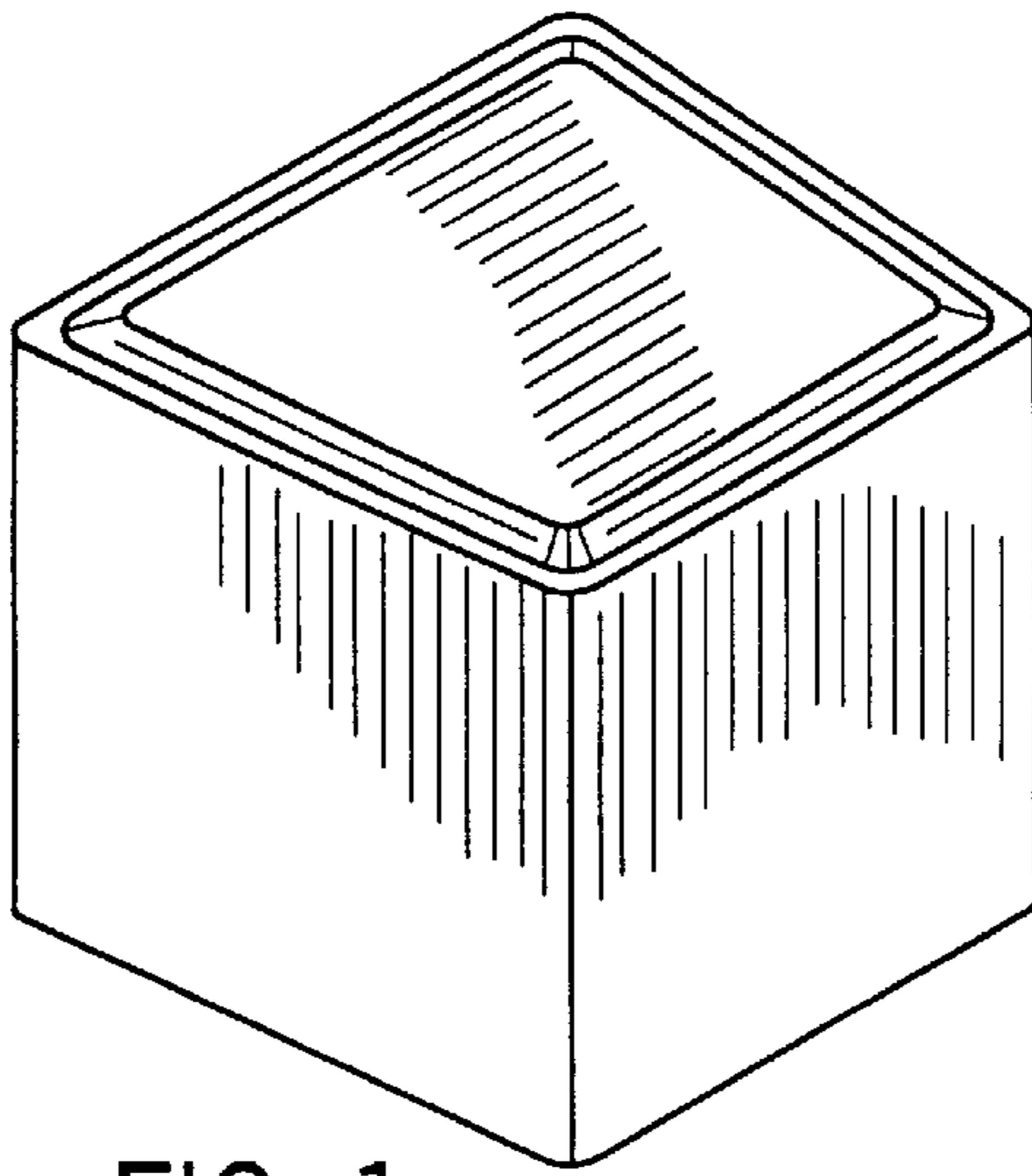


FIG. 1

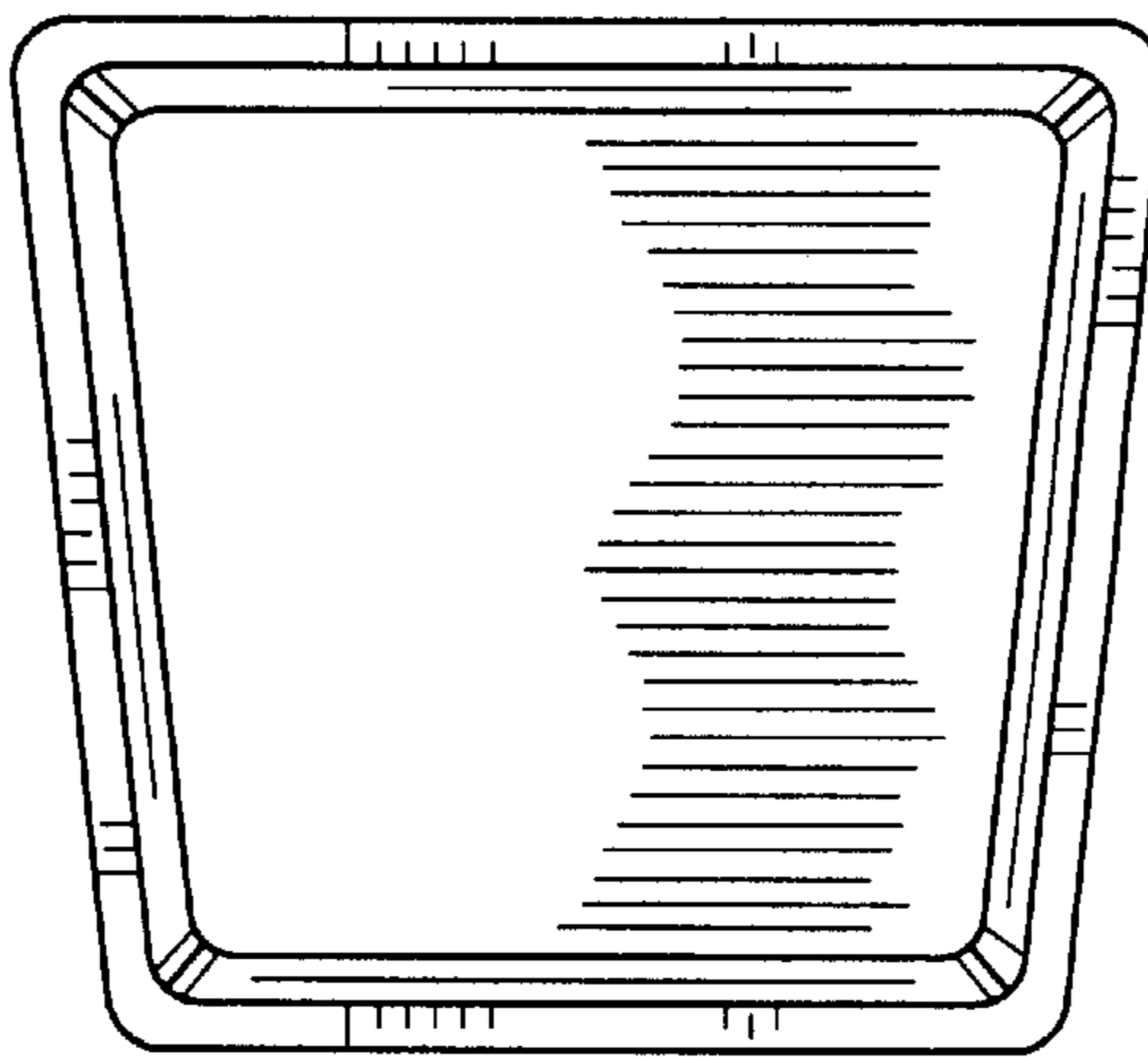


FIG. 2

FIG. 3

