



US00D438987S

(12) **United States Design Patent**
Ryan et al.

(10) **Patent No.:** **US D438,987 S**

(45) **Date of Patent:** **** Mar. 13, 2001**

(54) **STRUCTURAL MEMBER**

(75) Inventors: **Peter Anthony Ryan**, Sydney; **Cecil Benjamin Appleton**, Brisbane, both of (AU)

(73) Assignee: **Rocheway Pty Ltd.** (AU)

(**) Term: **14 Years**

(21) Appl. No.: **29/106,854**

(22) Filed: **Jun. 24, 1999**

(51) **LOC (7) Cl.** **25-01**

(52) **U.S. Cl.** **D25/102**

(58) **Field of Search** D25/102, 113-118, D25/164, 152, 153, 156; D21/484-486, 489-491, 499-505; 52/588.1, 582.1, 596, 604, 605-607, 608-609, 612; 404/34, 35, 37-42; 405/284-286

(56) **References Cited**

U.S. PATENT DOCUMENTS

- D. 286,575 * 11/1986 Saunders D25/156
- D. 415,581 * 10/1999 Bertolini D25/156
- 2,163,613 * 6/1939 Manofsky D25/164
- 3,438,312 * 4/1969 Becker 404/40
- 3,469,509 * 9/1969 Hutchinson 404/41
- 5,516,238 * 5/1996 Beury 405/284 X

OTHER PUBLICATIONS

“Pavers and Pedestals”, Sunny Brook Pressed Concrete Co., Buyline 7977, Sweets General Building and Renovation Catalog, 1993.*

“Grecian Can Design R-18” Diamond Manufacturing Co., Bulletin No. 49, 1960.*

* cited by examiner

Primary Examiner—Louis S. Zarfes
Assistant Examiner—Robert A. Delehanty

(74) *Attorney, Agent, or Firm*—Hale and Dorr LLP

(57) **CLAIM**

The ornamental design for a structural member, as shown and described.

DESCRIPTION

The structural member may be used as a brace, a truss or a joist.

FIG. 1 is a top plan view of a structural member showing, our new design broken away in the middle and in both directions it being understood that the pattern of triangular openings is repeated uniformly throughout;

FIG. 2 is a bottom plan view thereof;

FIG. 3 is a left end view thereof;

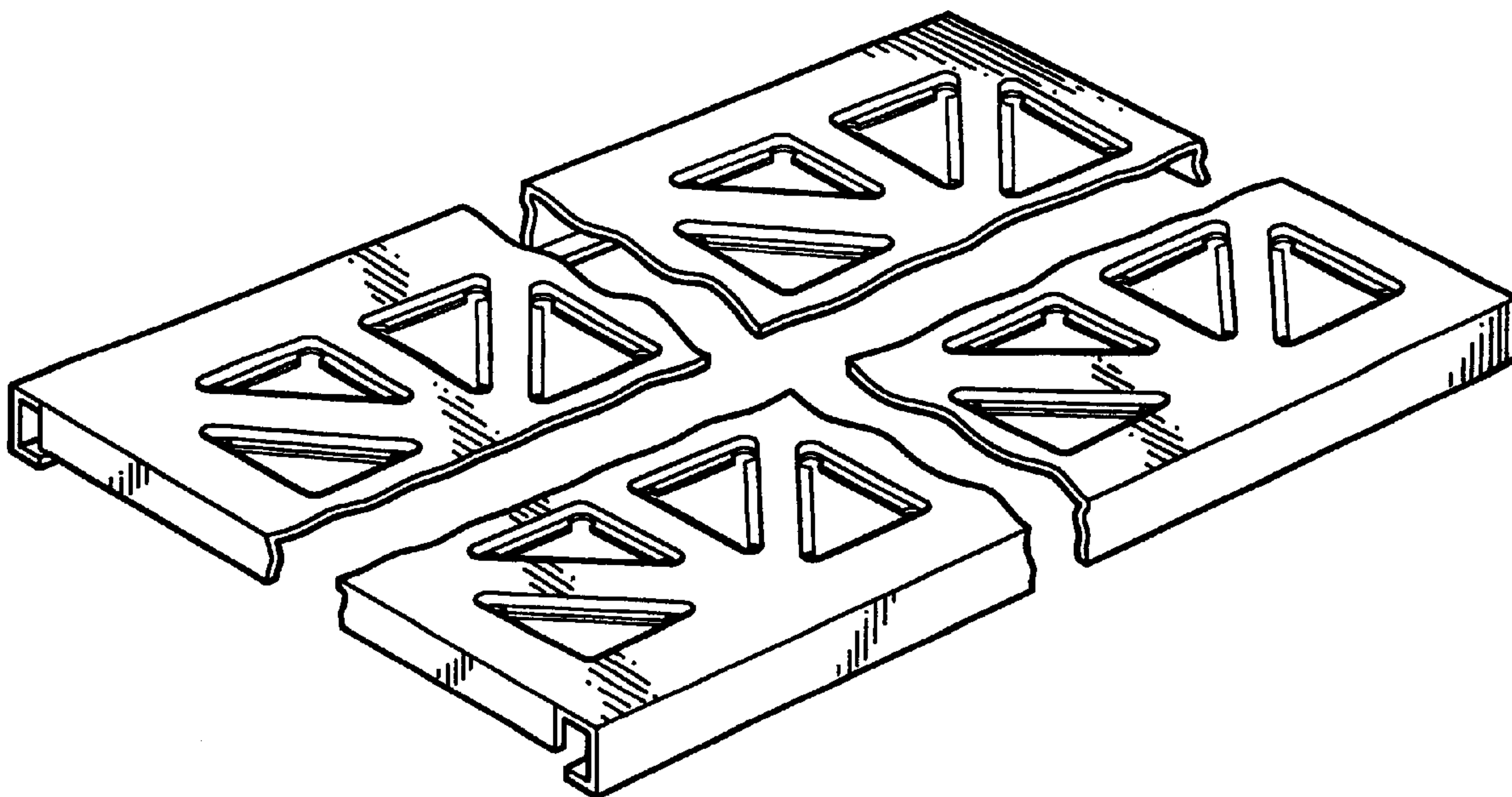
FIG. 4 is a front side view thereof;

FIG. 5 is a right end view thereof;

FIG. 6 is a rear side view thereof; and,

FIG. 7 is a top, end and side perspective view thereof.

1 Claim, 1 Drawing Sheet



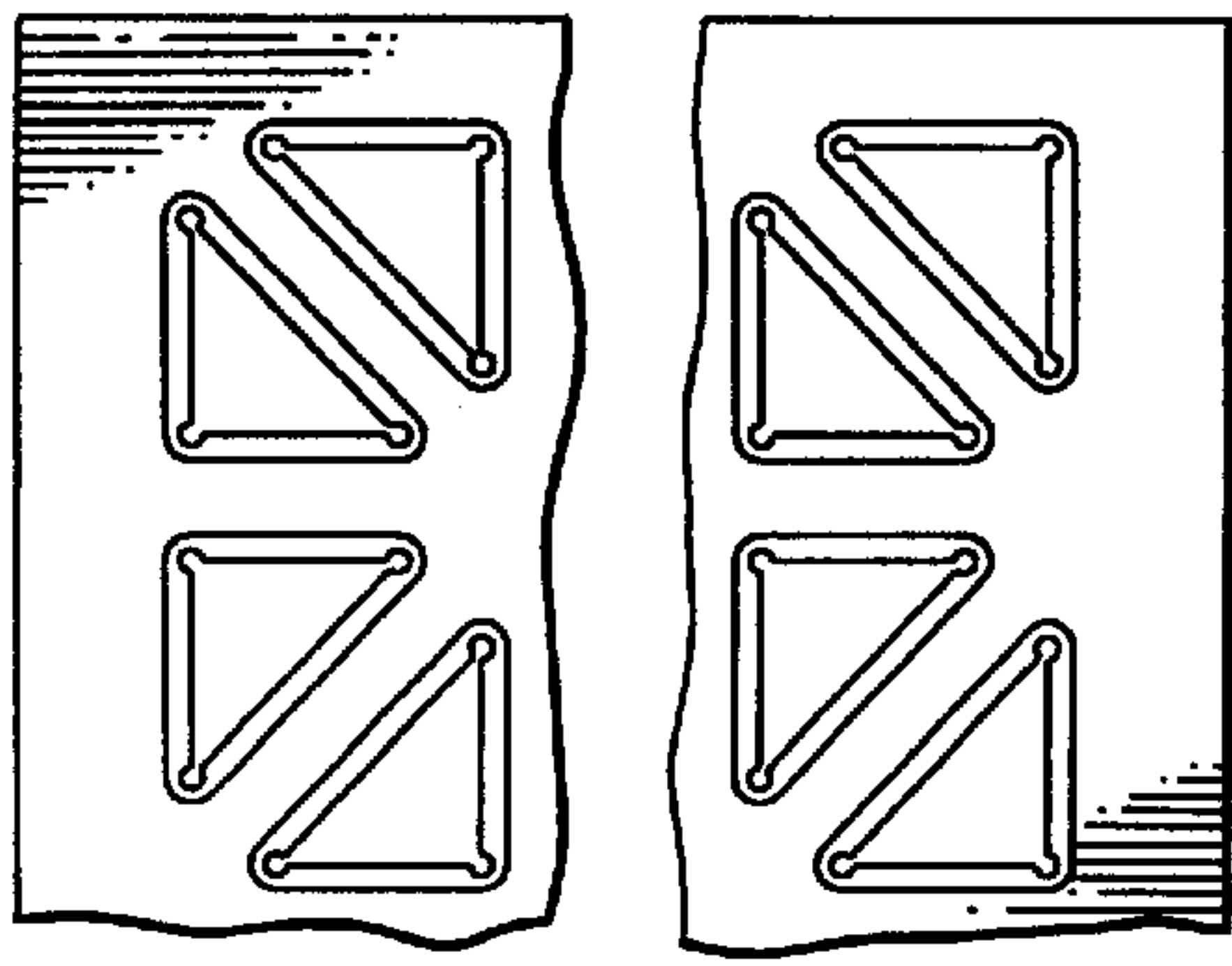


FIG. 1

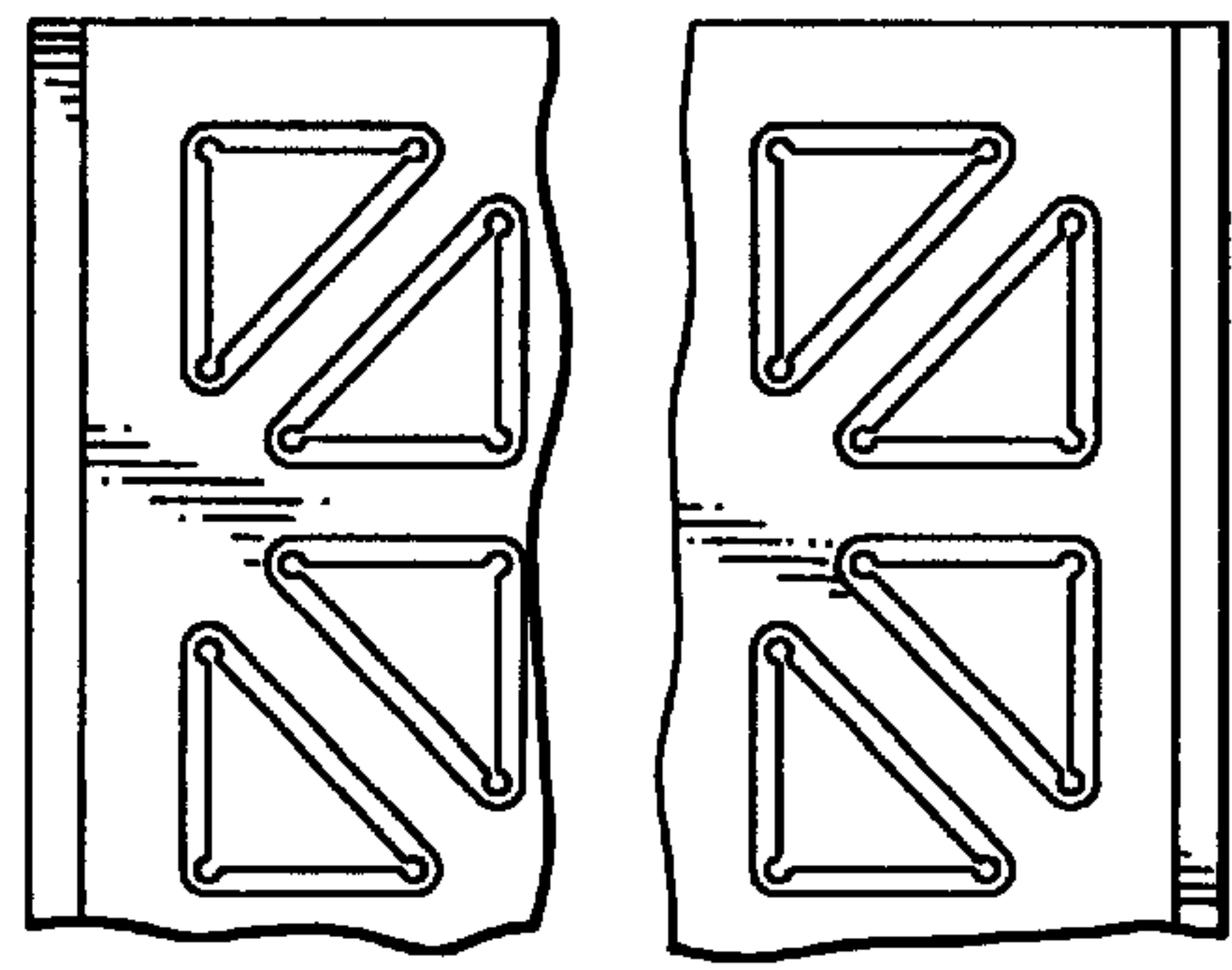


FIG. 2

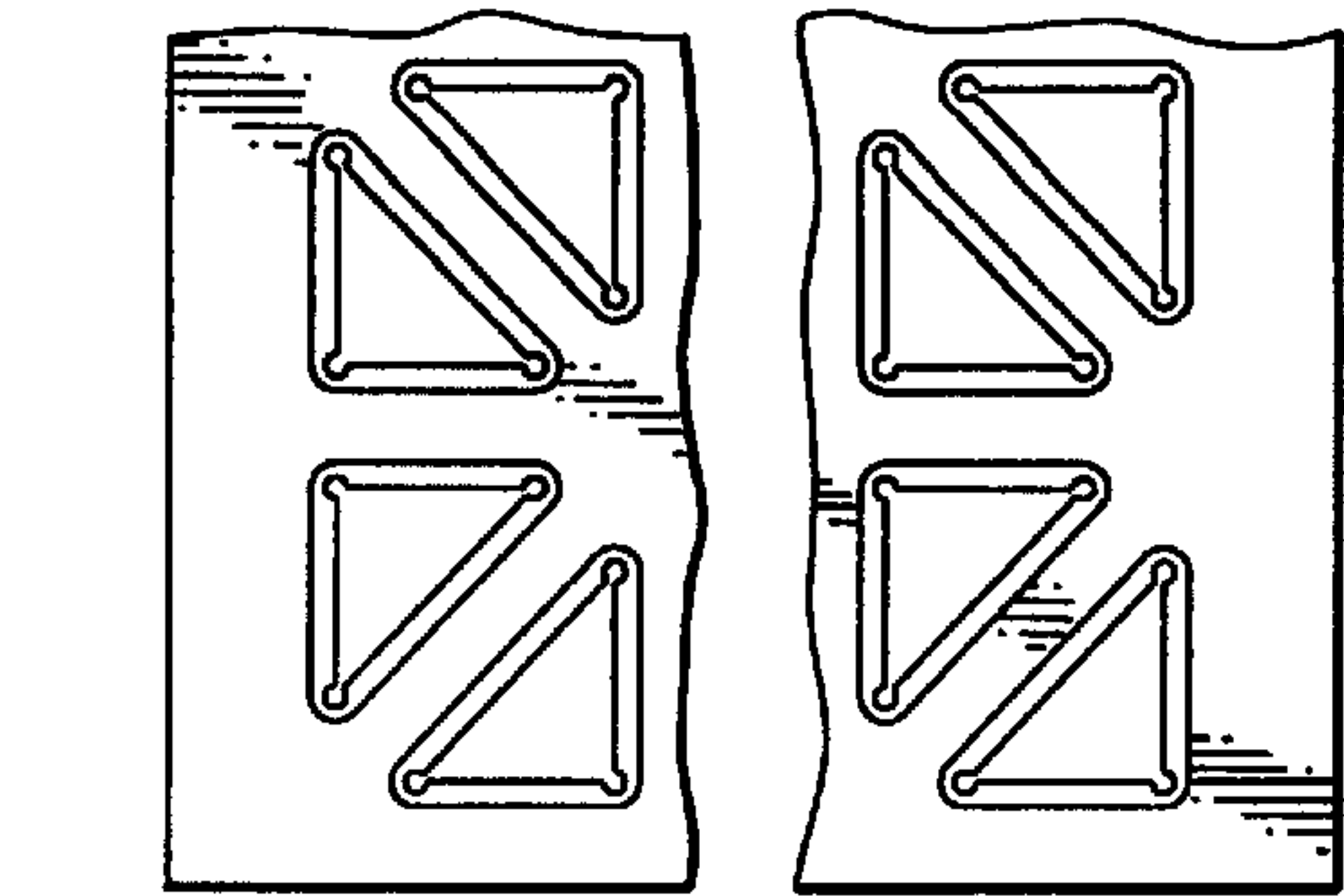


FIG. 3

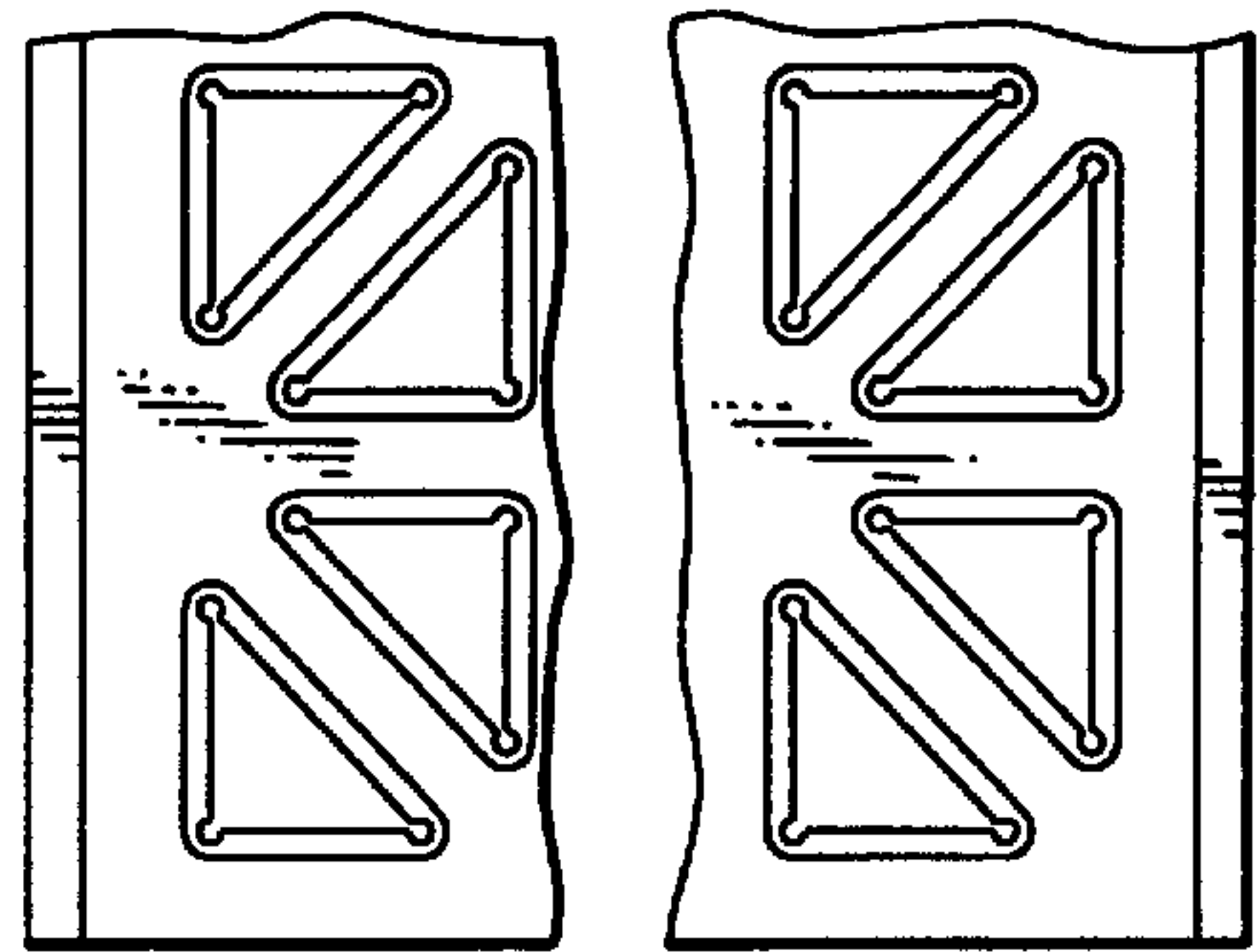


FIG. 4

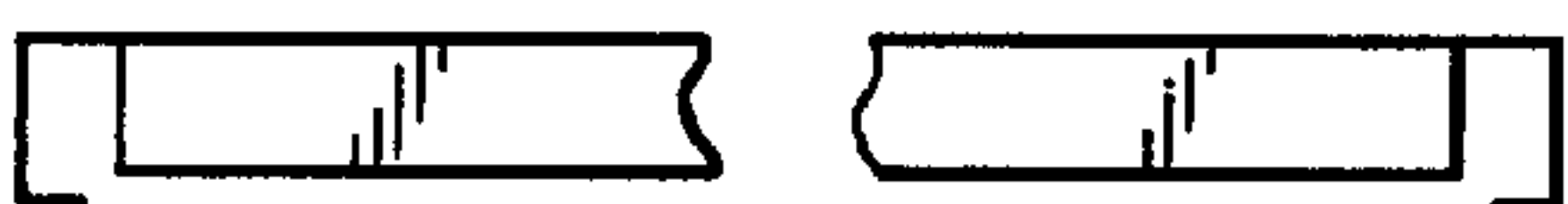


FIG. 5



FIG. 6

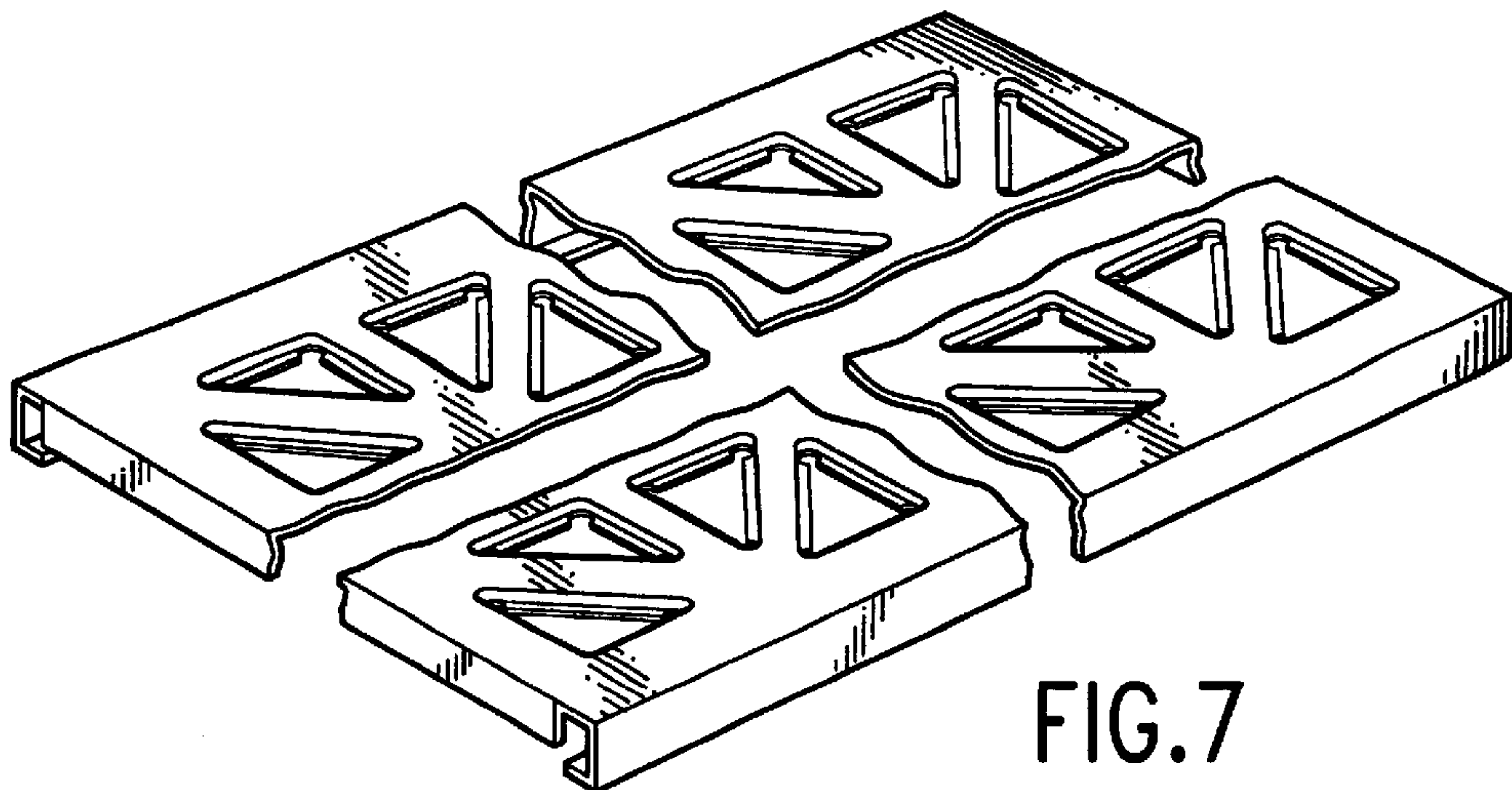


FIG. 7