



US00D438986S

(12) **United States Design Patent**
Rehmert et al.

(10) **Patent No.:** **US D438,986 S**
(45) **Date of Patent:** **** Mar. 13, 2001**

(54) **TRELLIS**

2,009,867 * 7/1935 Ball D25/100

(76) Inventors: **Rory S. Rehmert; Timothy M. Le Roy; D. Mike Howell; Jackie Hogan; James Kemp**, all of P.O. Box 1357, Birmingham, AL (US) 35201

* cited by examiner

Primary Examiner—Doris Clark

(**) Term: **14 Years**

(57) **CLAIM**

The ornamental design for a trellis, as shown and described.

(21) Appl. No.: **29/126,117**

(22) Filed: **Jun. 29, 2000**

DESCRIPTION

(51) **LOC (7) Cl.** **08-99**

FIG. 1 is an isometric view of a trellis showing our new design;

(52) **U.S. Cl.** **D25/100**

FIG. 2 is a side view thereof;

(58) **Field of Search** D25/100, 101, D25/156; 47/70, 47

FIG. 3 is a top view thereof; and,

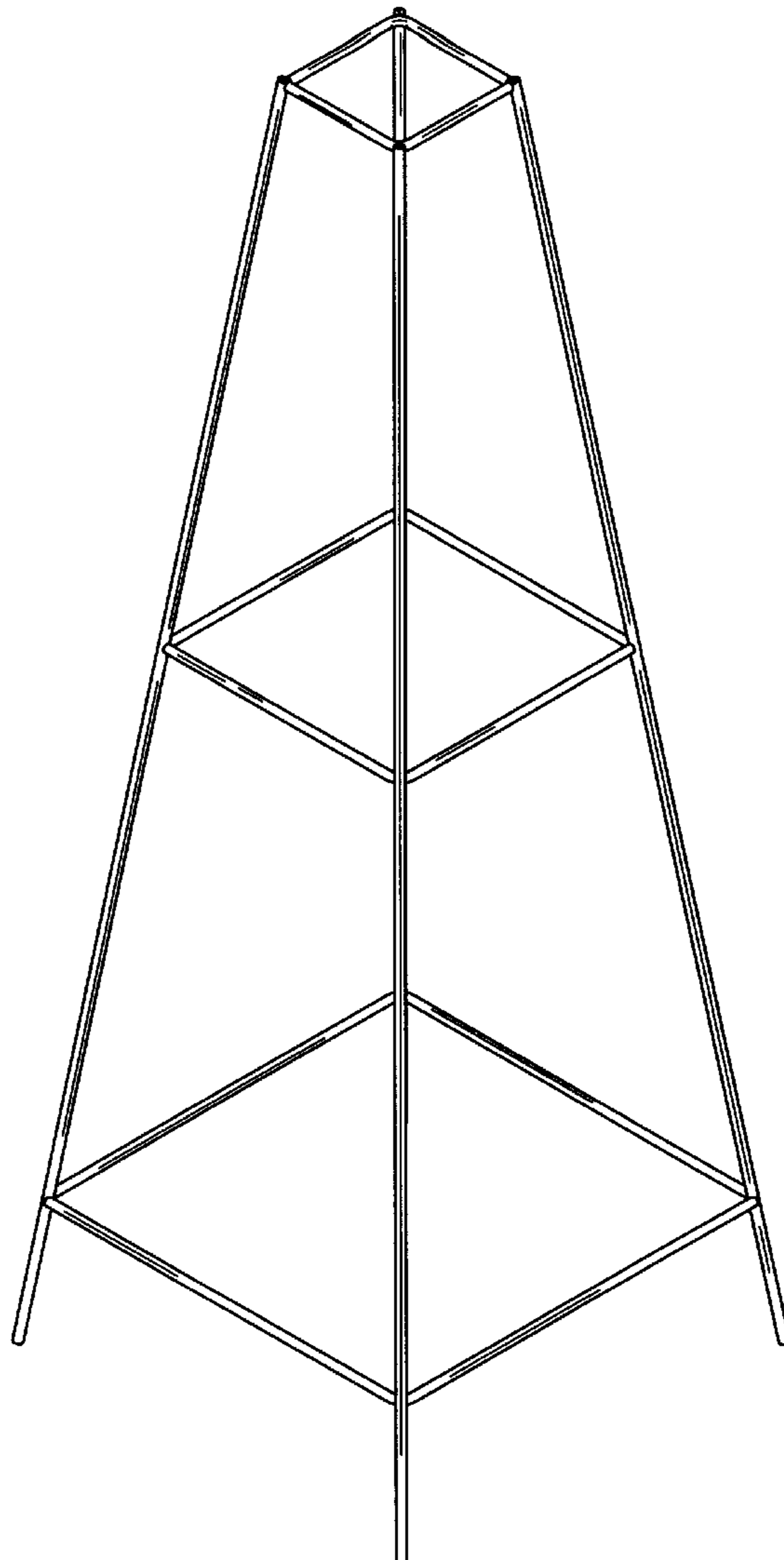
FIG. 4 is a bottom view thereof.

(56) **References Cited**

U.S. PATENT DOCUMENTS

604,260 * 5/1898 Parker 47/47

1 Claim, 3 Drawing Sheets



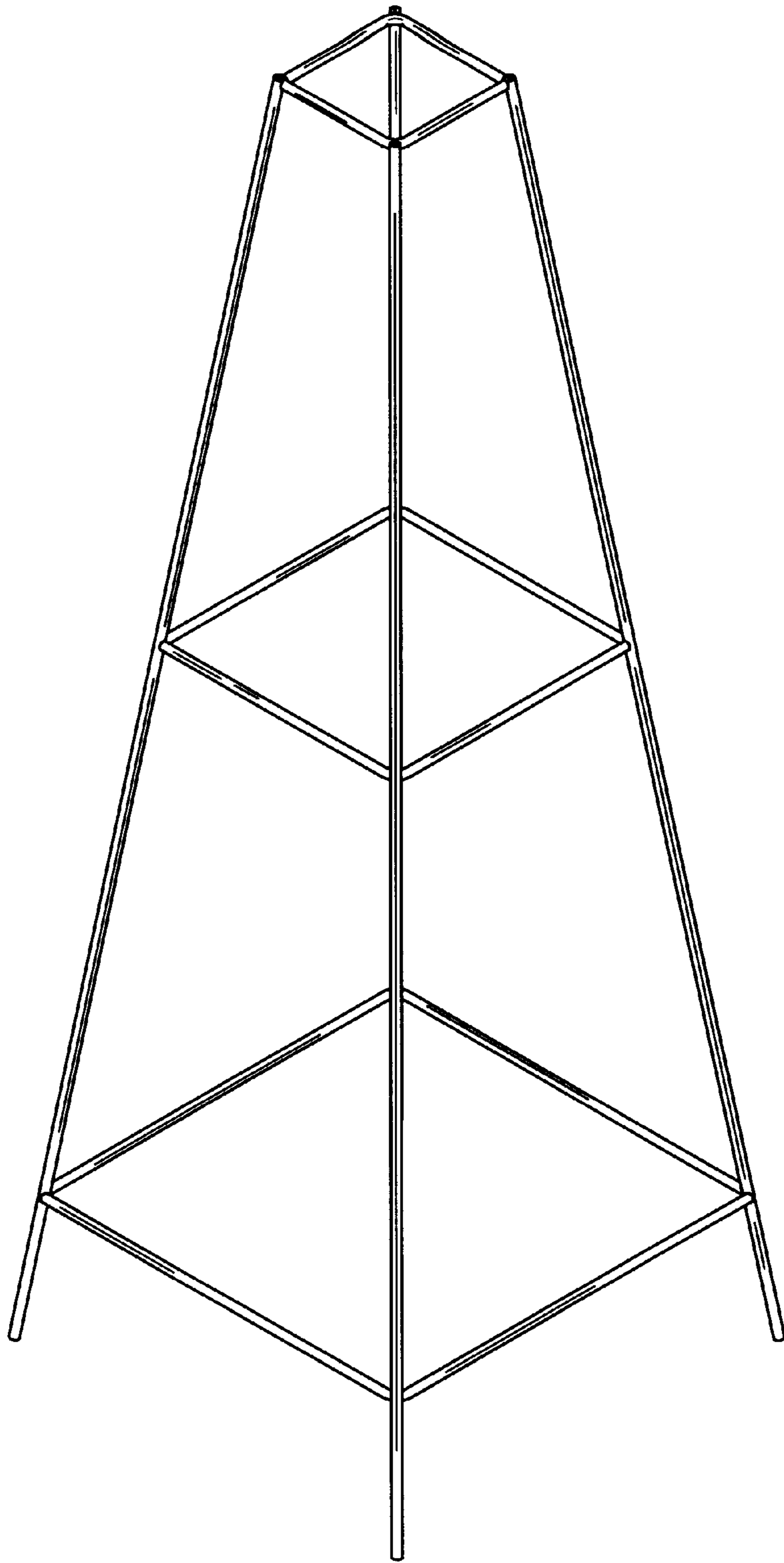


Fig. 1

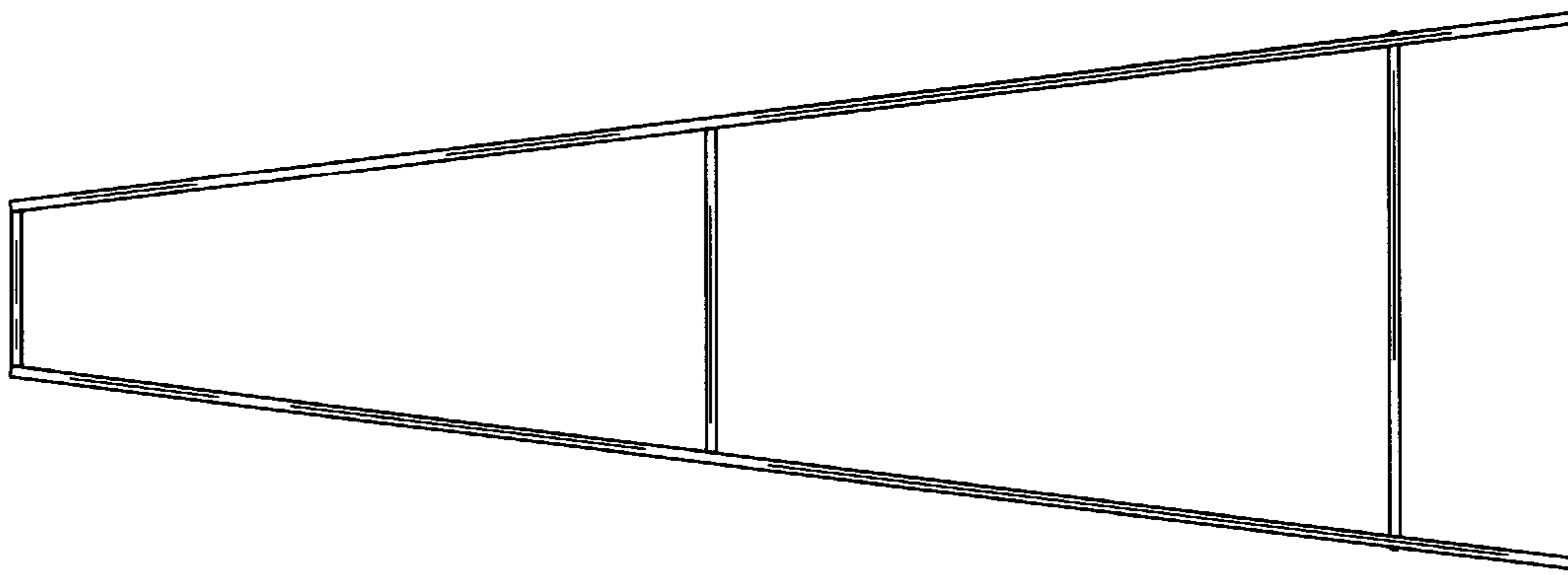


Fig. 2

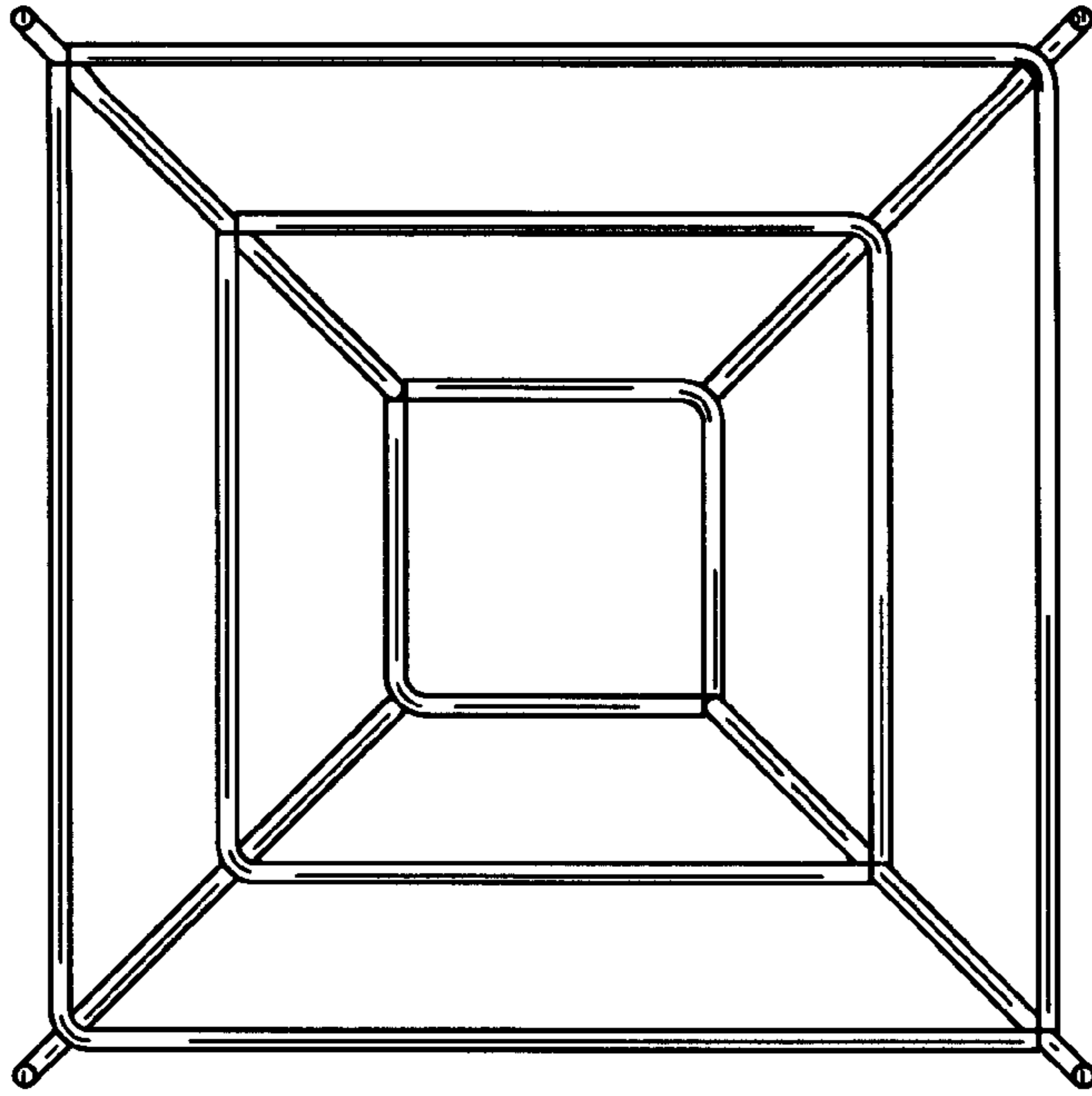


Fig. 4

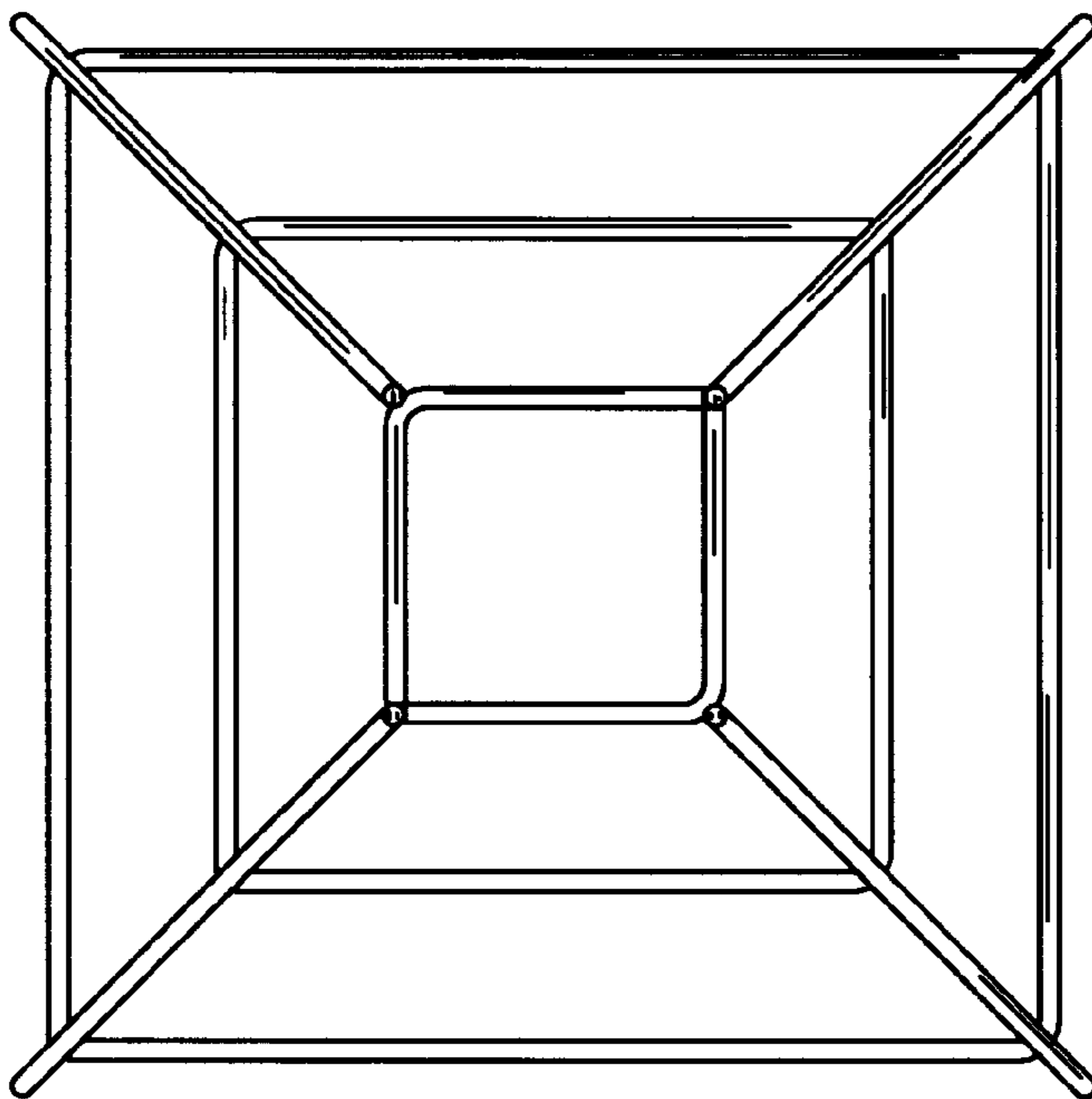


Fig. 3