



US00D438978S

(12) **United States Design Patent**
Conwell

(10) **Patent No.:** **US D438,978 S**

(45) **Date of Patent:** **** Mar. 13, 2001**

(54) **SCALP MASSAGER**

(76) **Inventor:** **Steven A. Conwell**, 3736 Farview Cir.,
Apt. 1835, Winter Park, FL (US) 32792

(**) **Term:** **14 Years**

(21) **Appl. No.:** **29/128,907**

(22) **Filed:** **Sep. 5, 2000**

(51) **LOC (7) Cl.** **24-04**

(52) **U.S. Cl.** **D24/214; D24/200**

(58) **Field of Search** **D24/214, 200;**
601/12, 67, 80, 134, 133, 135

(56) **References Cited**

U.S. PATENT DOCUMENTS

- D. 357,322 * 4/1995 Matthews D24/211
- D. 368,141 * 3/1996 Rabin et al. D24/215
- 4,506,659 * 3/1985 Chester 601/97
- 5,421,799 * 6/1995 Rabin et al. 601/71

* cited by examiner

Primary Examiner—Stella Reid

(74) *Attorney, Agent, or Firm*—William M. Hobby, III

(57) **CLAIM**

The ornamental design for a scalp massager, as shown and described.

DESCRIPTION

FIG. 1 is a front right side perspective view of my new scalp massager;

FIG. 2 is a front side elevation;

FIG. 3 is a rear side elevation;

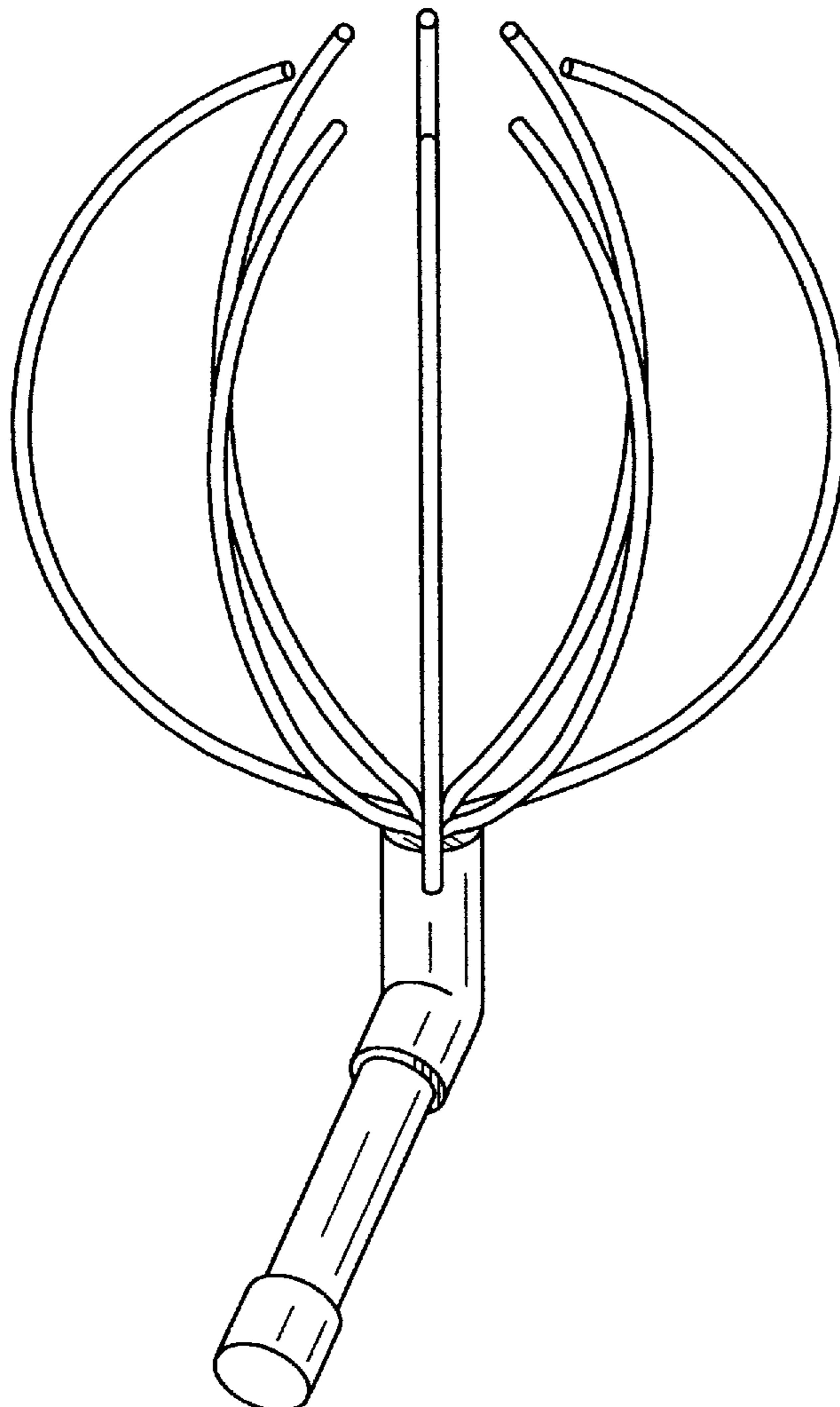
FIG. 4 is a right side elevation;

FIG. 5 is a left side elevation;

FIG. 6 is a top plan view; and,

FIG. 7 is a bottom plan view.

1 Claim, 2 Drawing Sheets



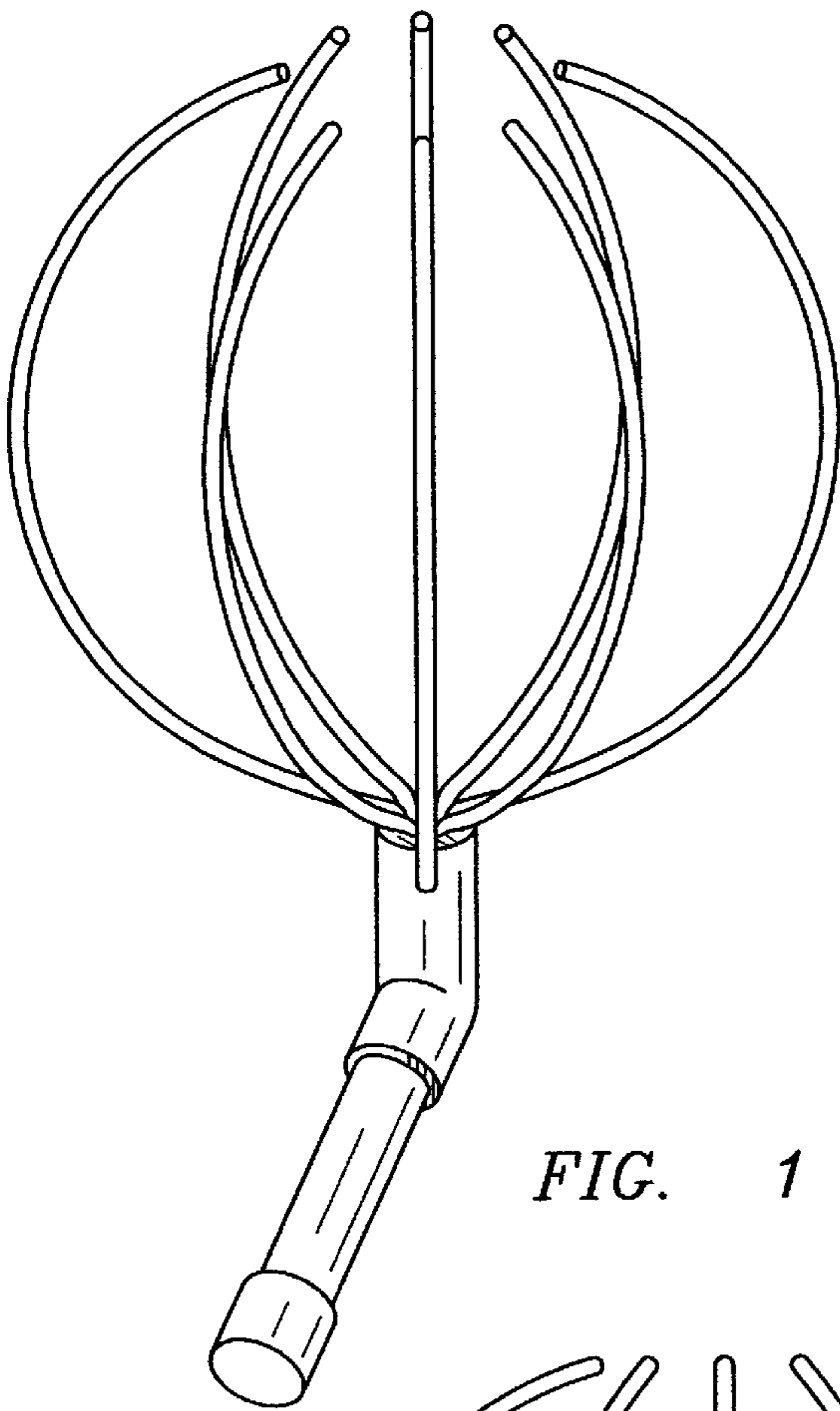


FIG. 1

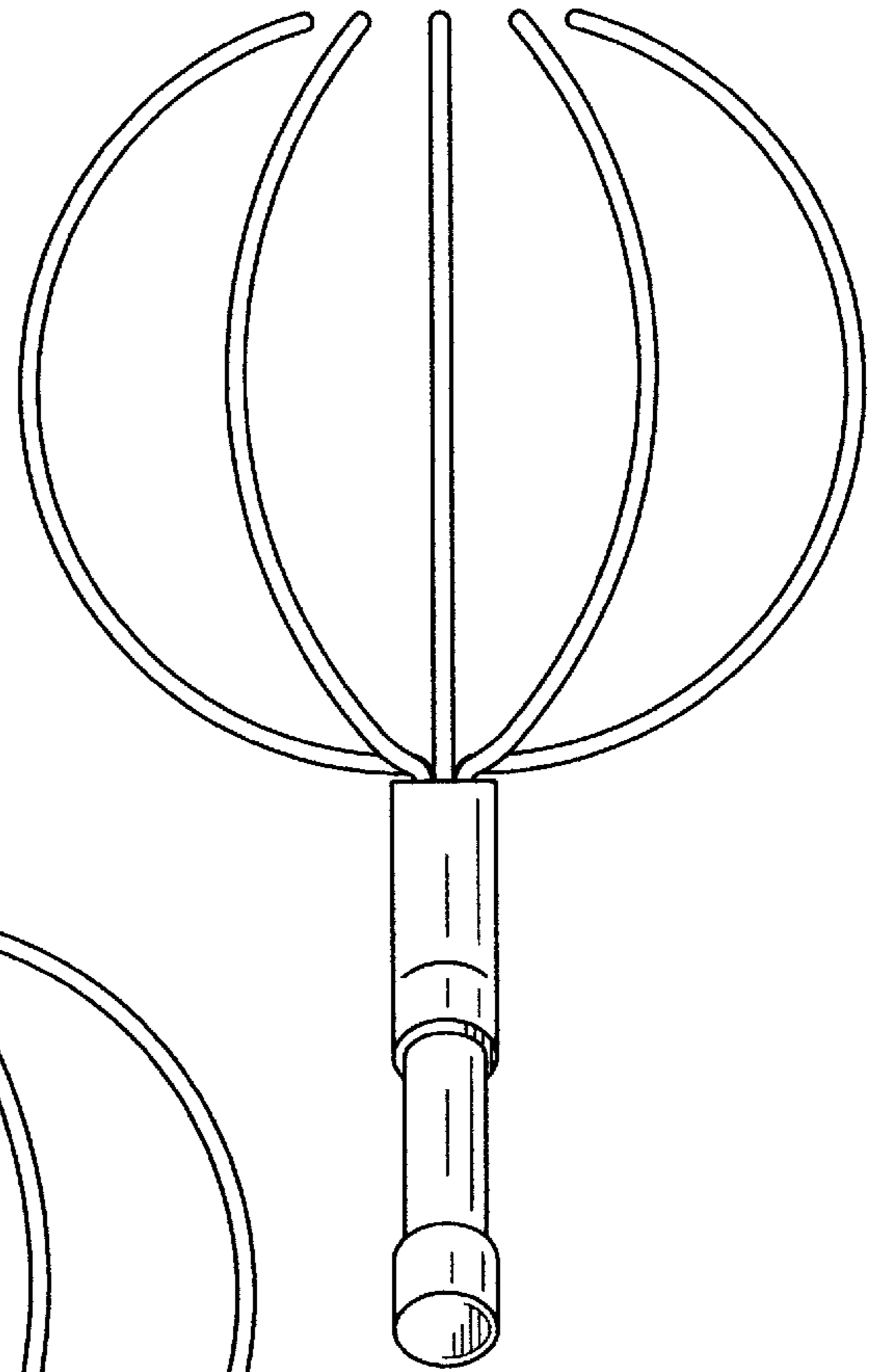


FIG. 2

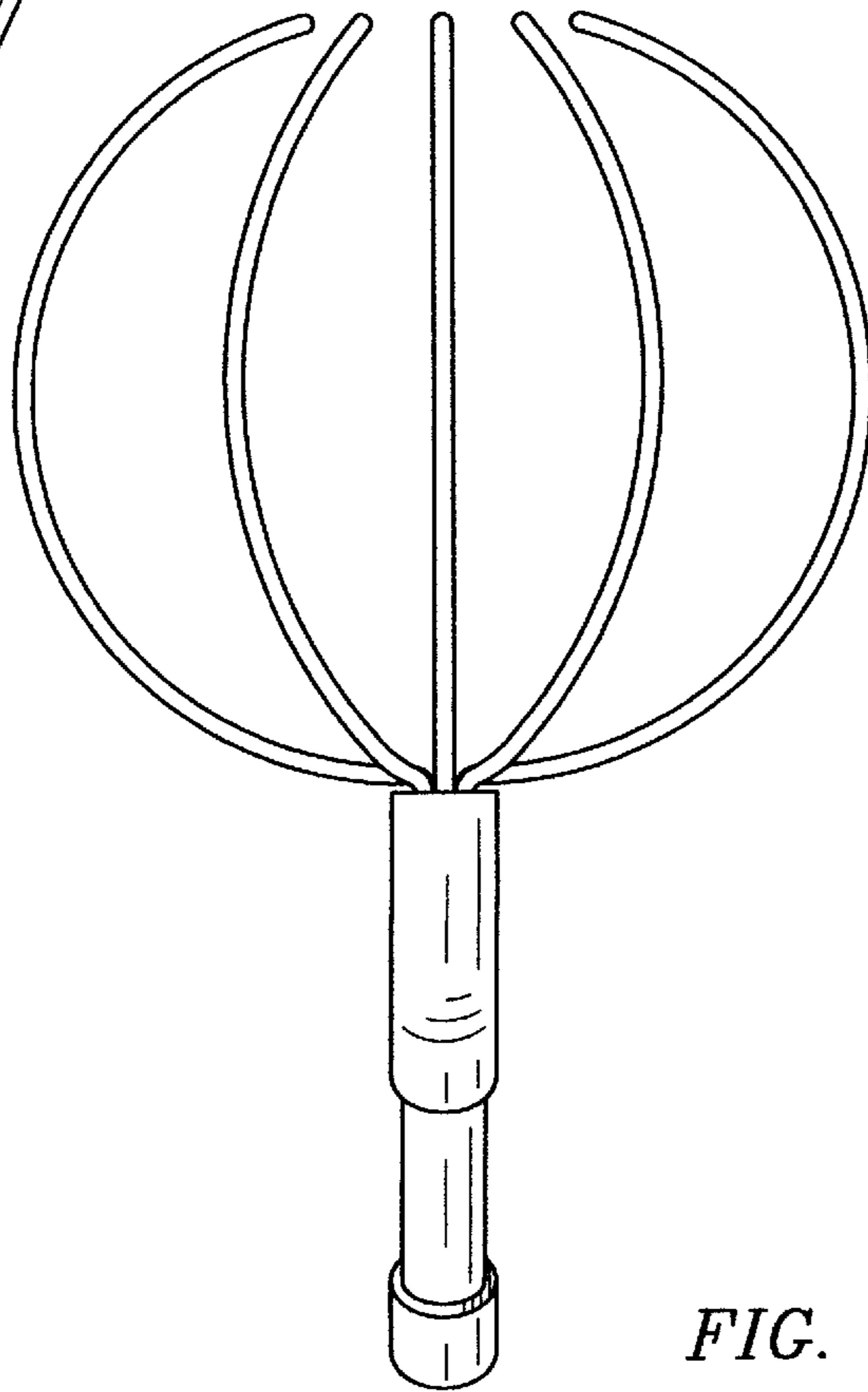


FIG. 3

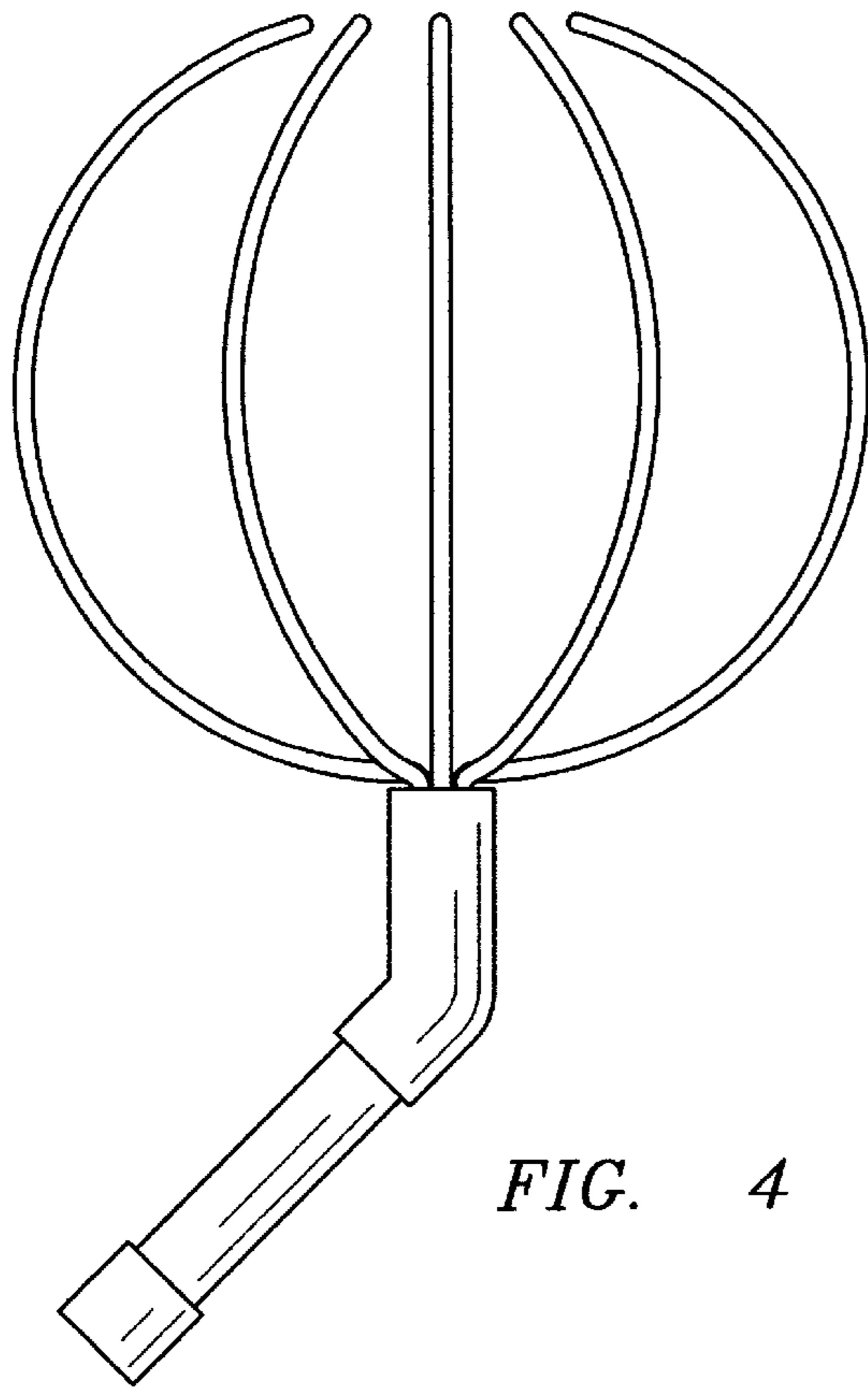


FIG. 4

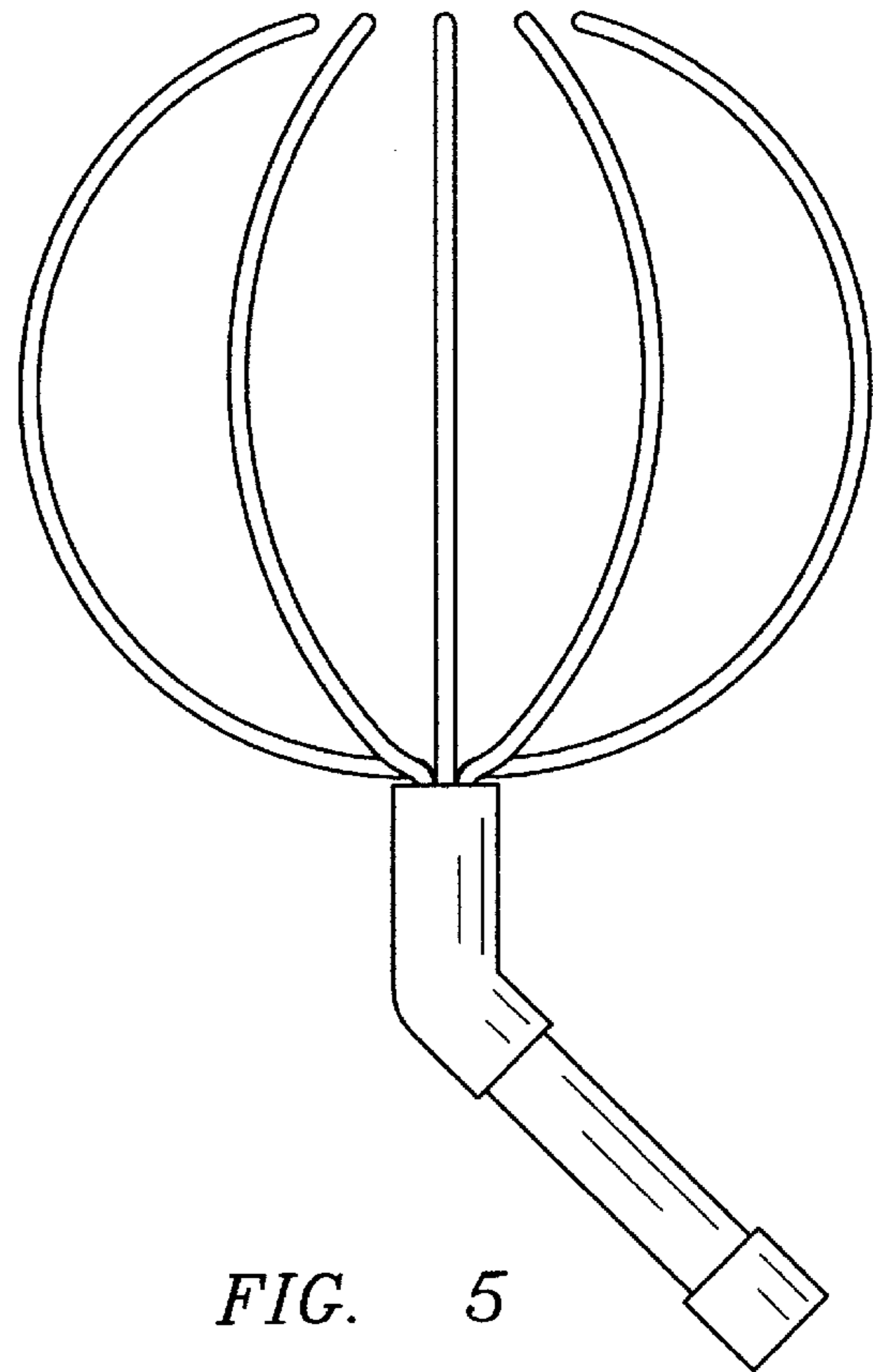


FIG. 5

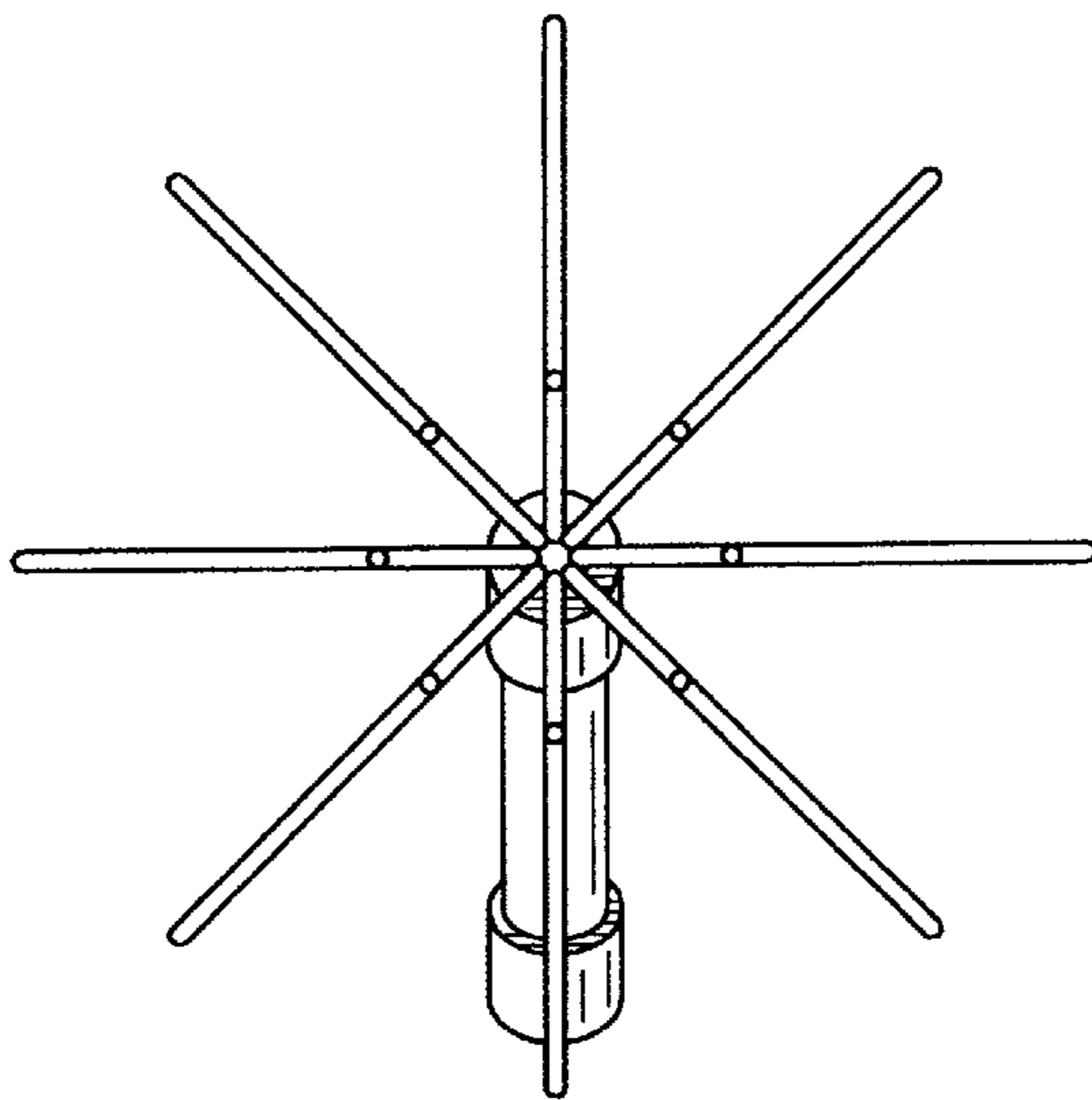


FIG. 6

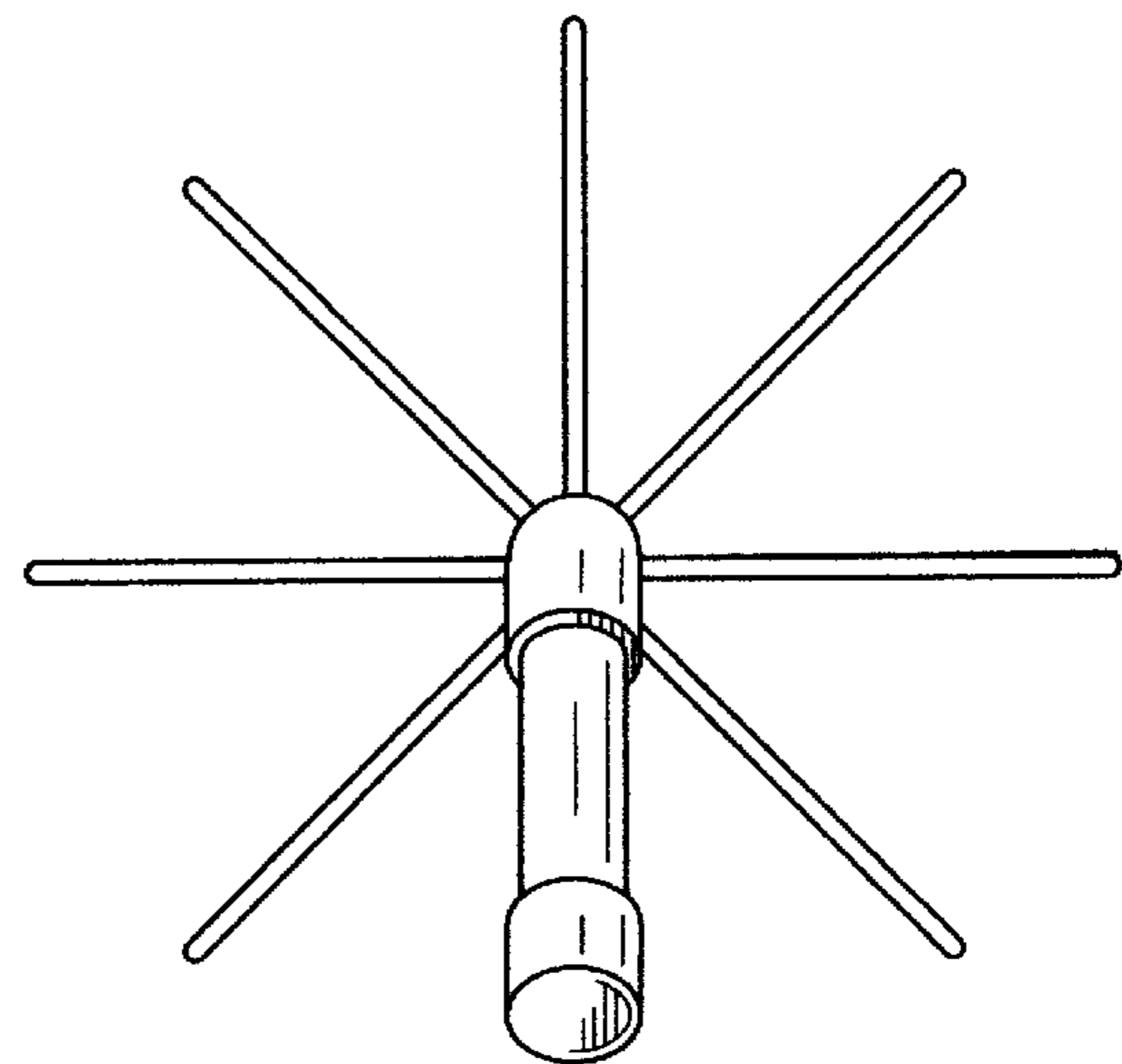


FIG. 7