



US00D438977S

(12) **United States Design Patent**
Khalaj

(10) **Patent No.:** **US D438,977 S**

(45) **Date of Patent:** **** Mar. 13, 2001**

(54) **CELLULITE HANDLE**

(76) Inventor: **Ben M. Khalaj**, 4 Autry, Irvine, CA
(US) 92618

(**) Term: **14 Years**

(21) Appl. No.: **29/123,307**

(22) Filed: **May 15, 2000**

(51) **LOC (7) Cl.** **24-01**

(52) **U.S. Cl.** **D24/214; D24/200; D24/215**

(58) **Field of Search** D24/200, 211,
D24/212, 214; 601/136, 137, 131, 126,
125, 123, 134, 128, 135

(56) **References Cited**

U.S. PATENT DOCUMENTS

D. 400,261	*	10/1998	Allende	D24/215
D. 423,677	*	4/2000	Sivan et al.	D24/215
5,090,402	*	2/1992	Bazin et al.	601/17
5,891,064	*	4/1999	Herk et al.	601/126

* cited by examiner

Primary Examiner—Stella Reid

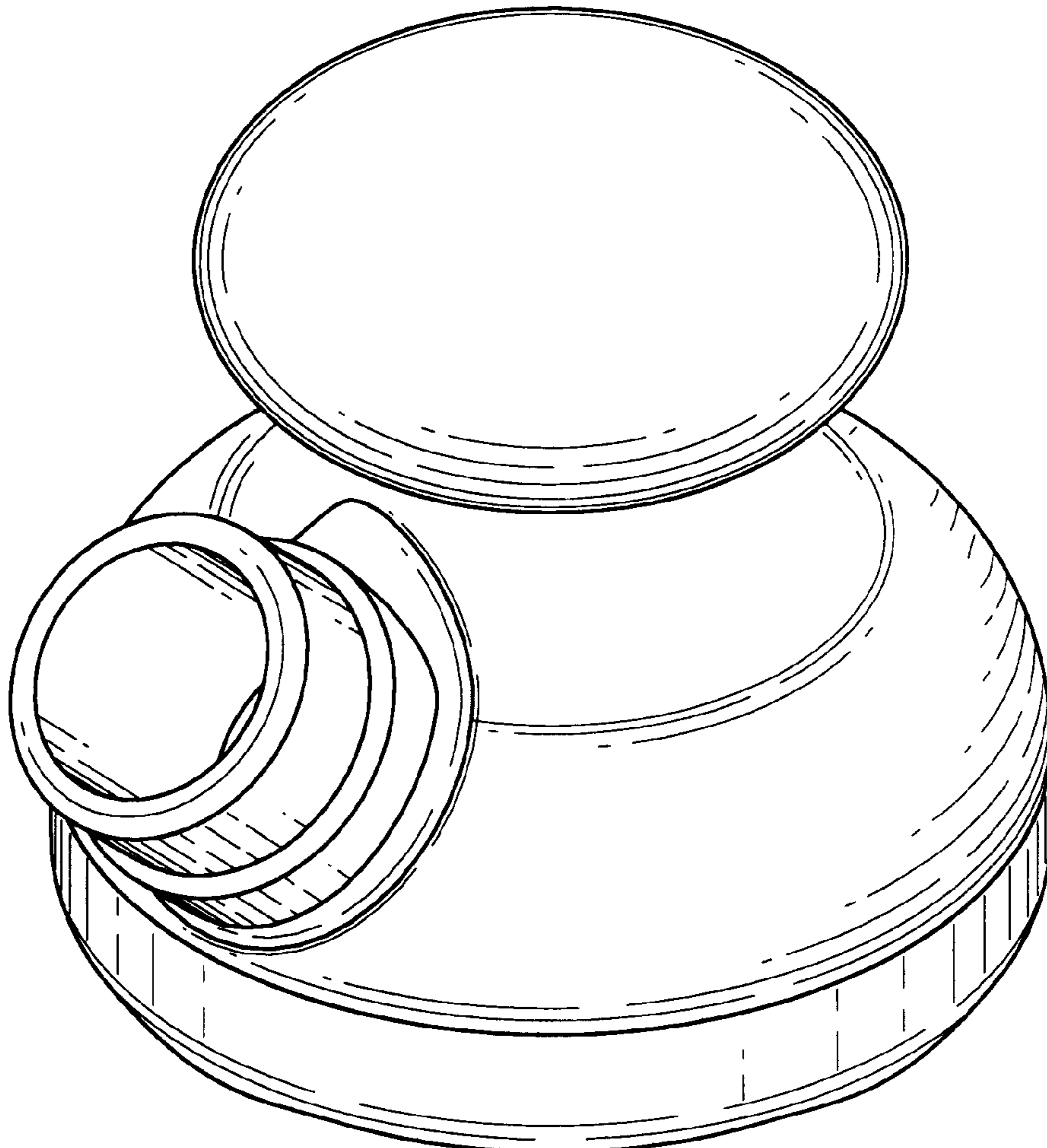
(57) **CLAIM**

The ornamental design for a cellulite handle, as shown and described.

DESCRIPTION

FIG. 1 is a side perspective view of a cellulite handle showing my new design;
 FIG. 2 is a top plan view thereof;
 FIG. 3 is a front elevation view thereof;
 FIG. 4 is a right side elevation view thereof; the left side being a mirror image
 FIG. 5 is a bottom elevation view thereof; and
 FIG. 6 is a rear elevation view thereof;
 FIG. 7 is a side perspective view of a smaller size cellulite handle showing my new design;
 FIG. 8 is a top plan view thereof;
 FIG. 9 is a front elevation view thereof;
 FIG. 10 is a right side elevation view thereof; the left side being a mirror image
 FIG. 11 is a bottom elevation view thereof; and,
 FIG. 12 is a rear elevation view thereof.

1 Claim, 4 Drawing Sheets



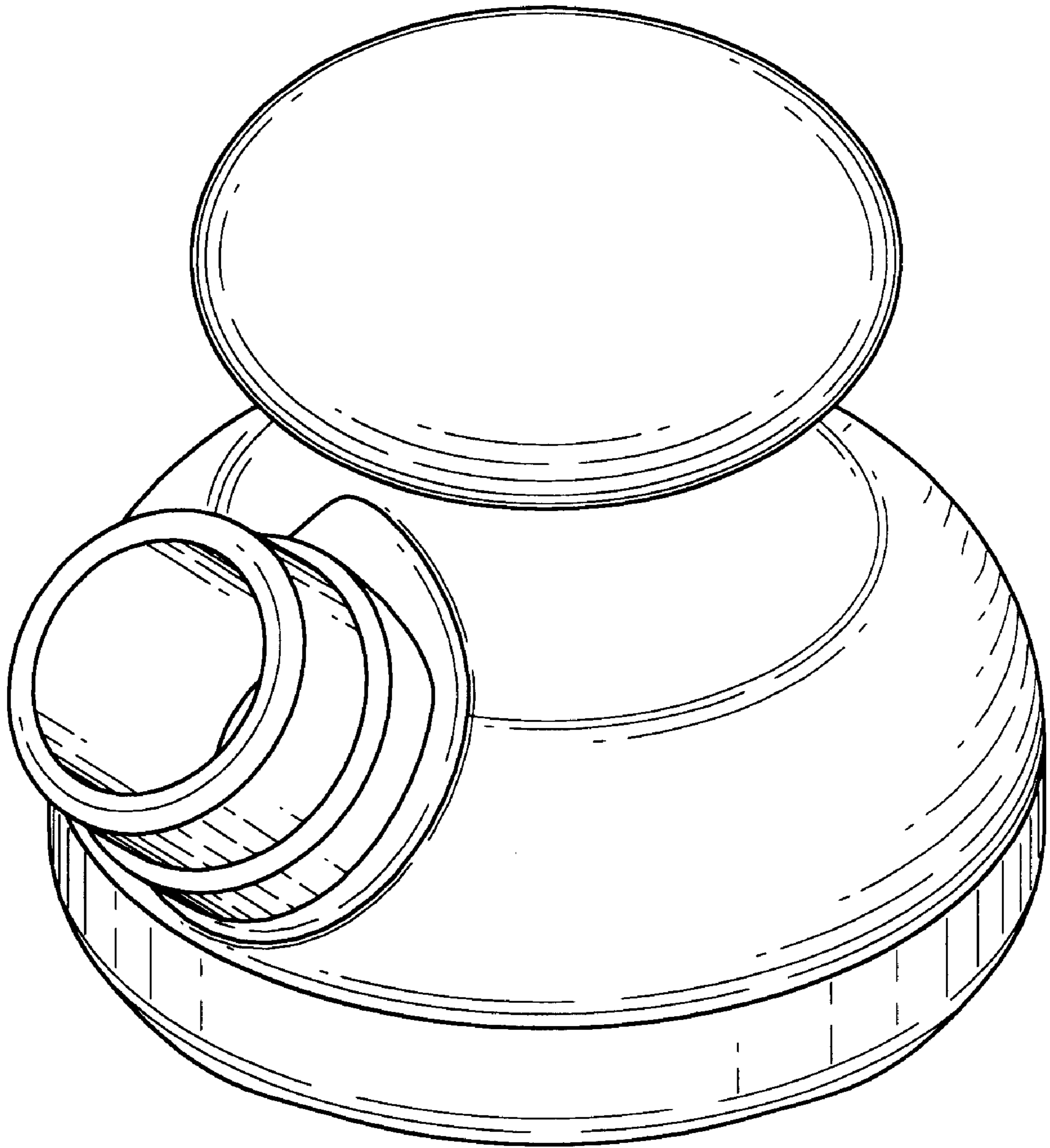


Fig. 1

Fig. 2

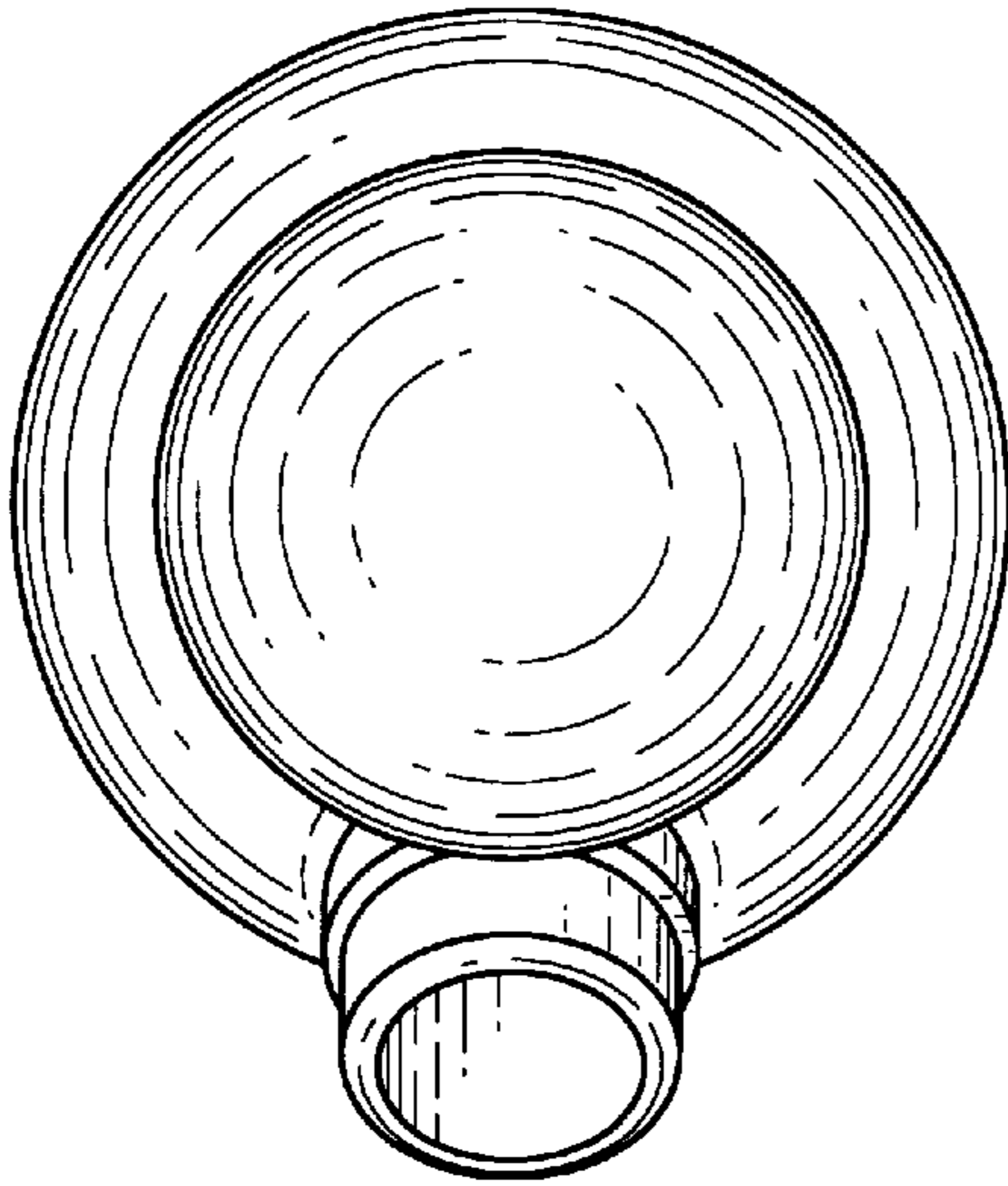


Fig. 3

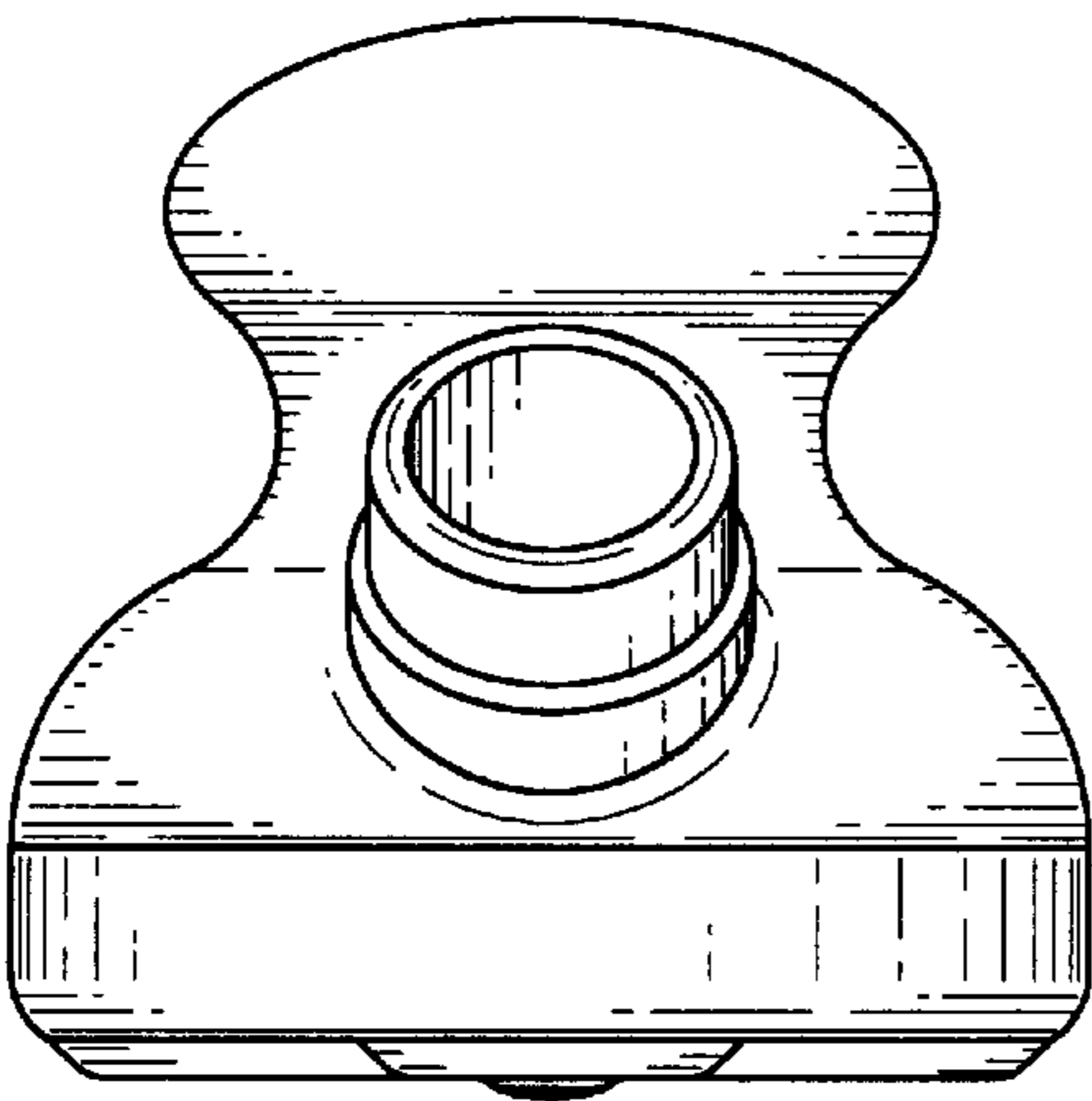


Fig. 4

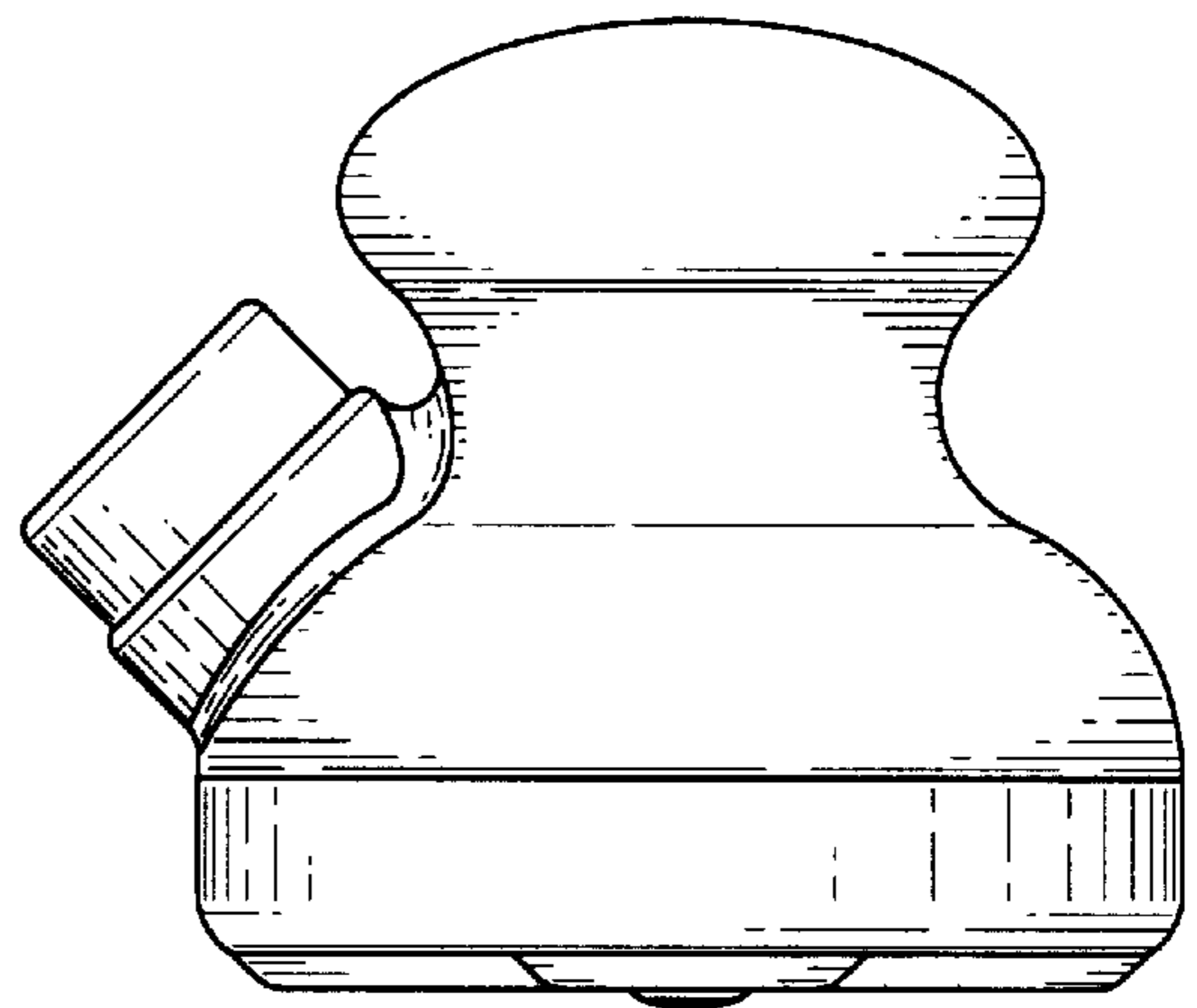


Fig. 5

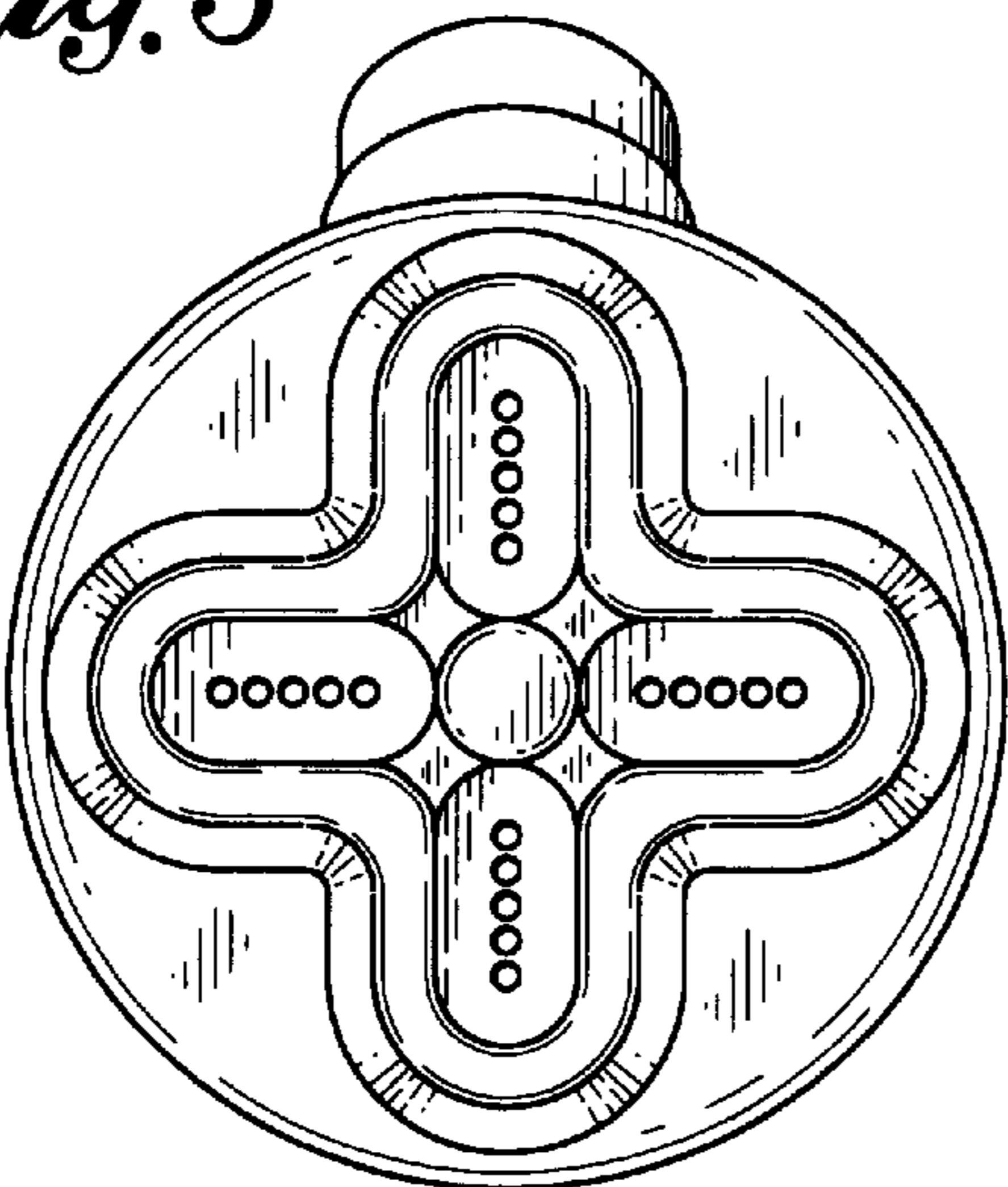
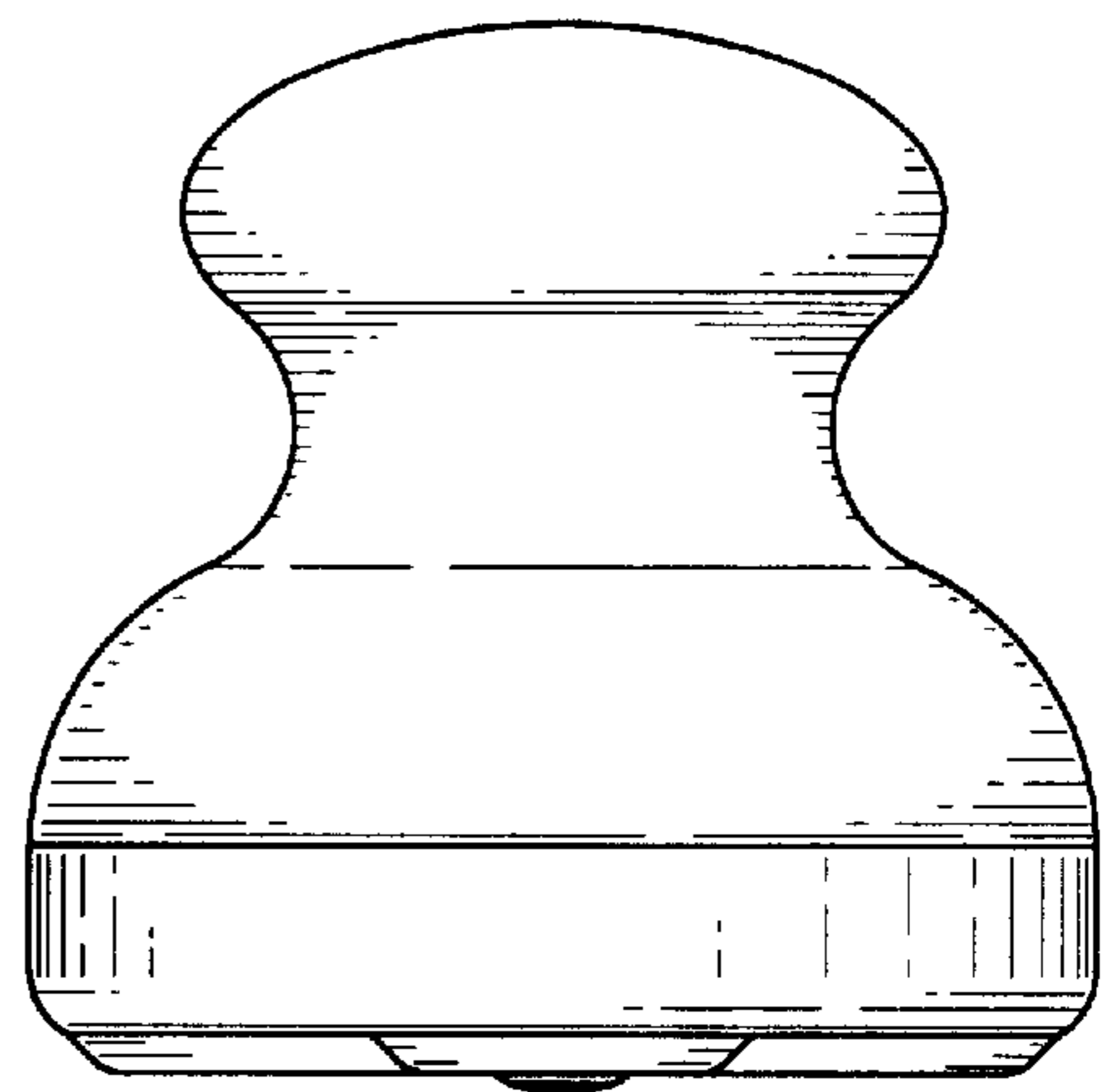


Fig. 6



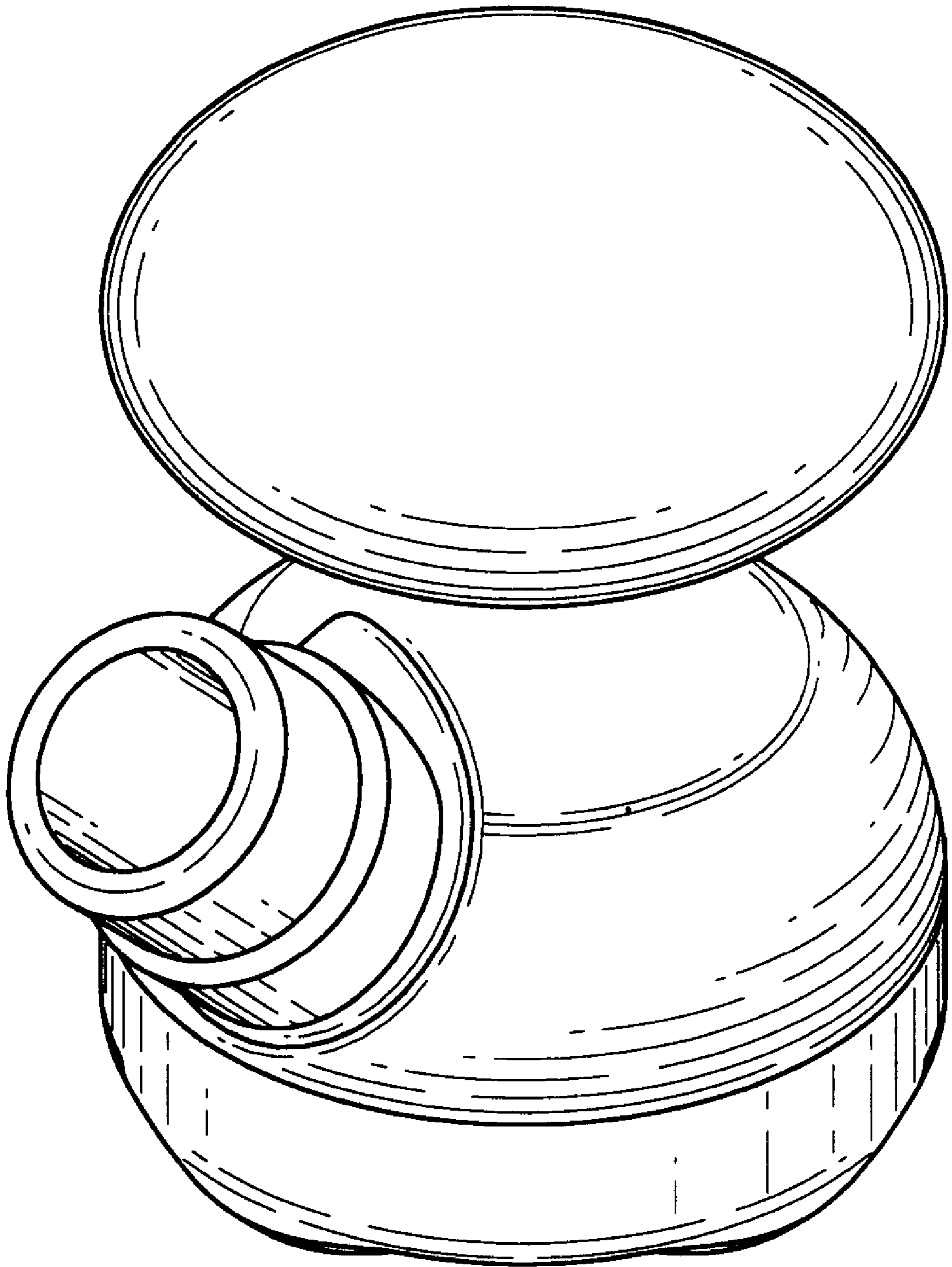


Fig. 7

Fig. 8

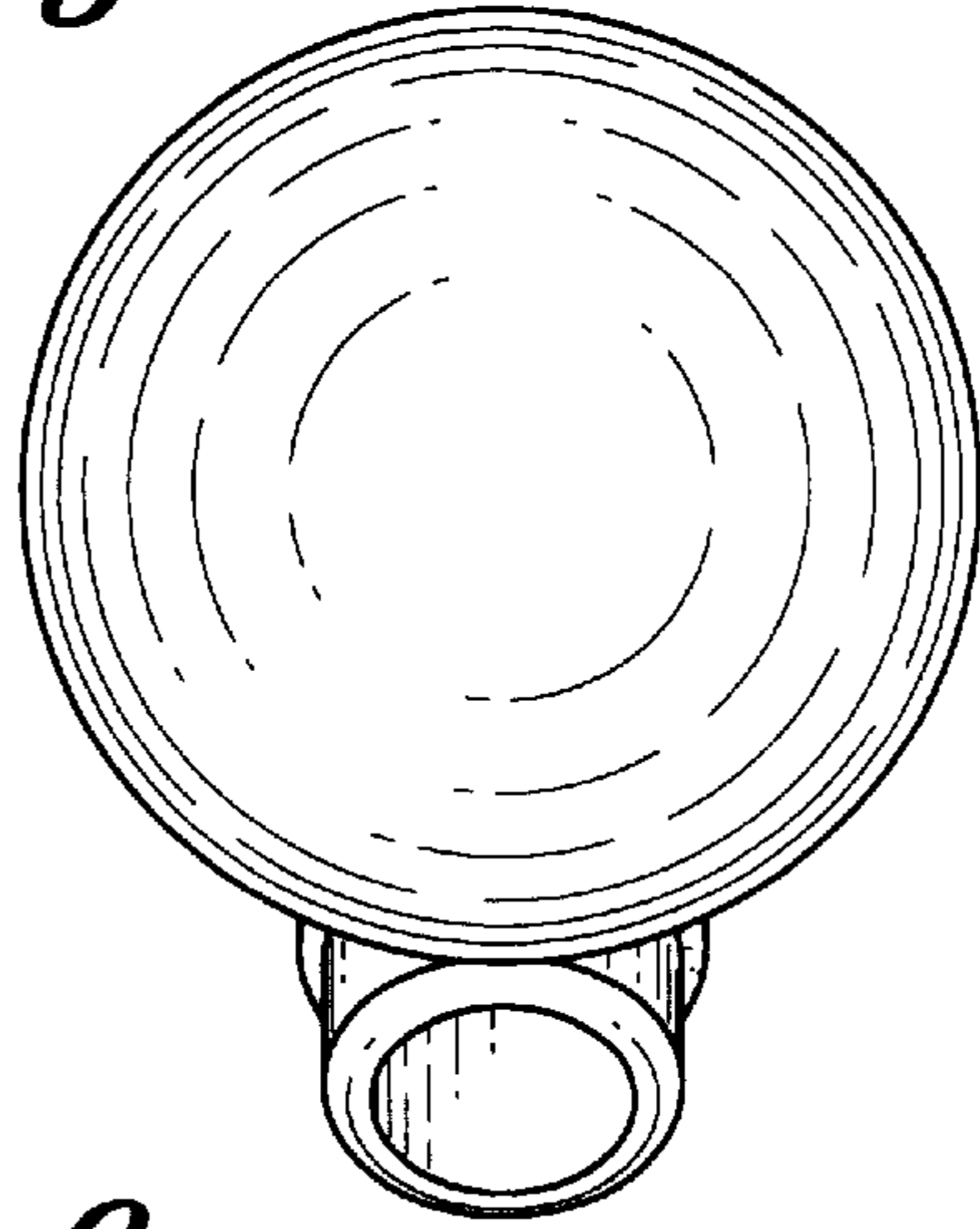


Fig. 9

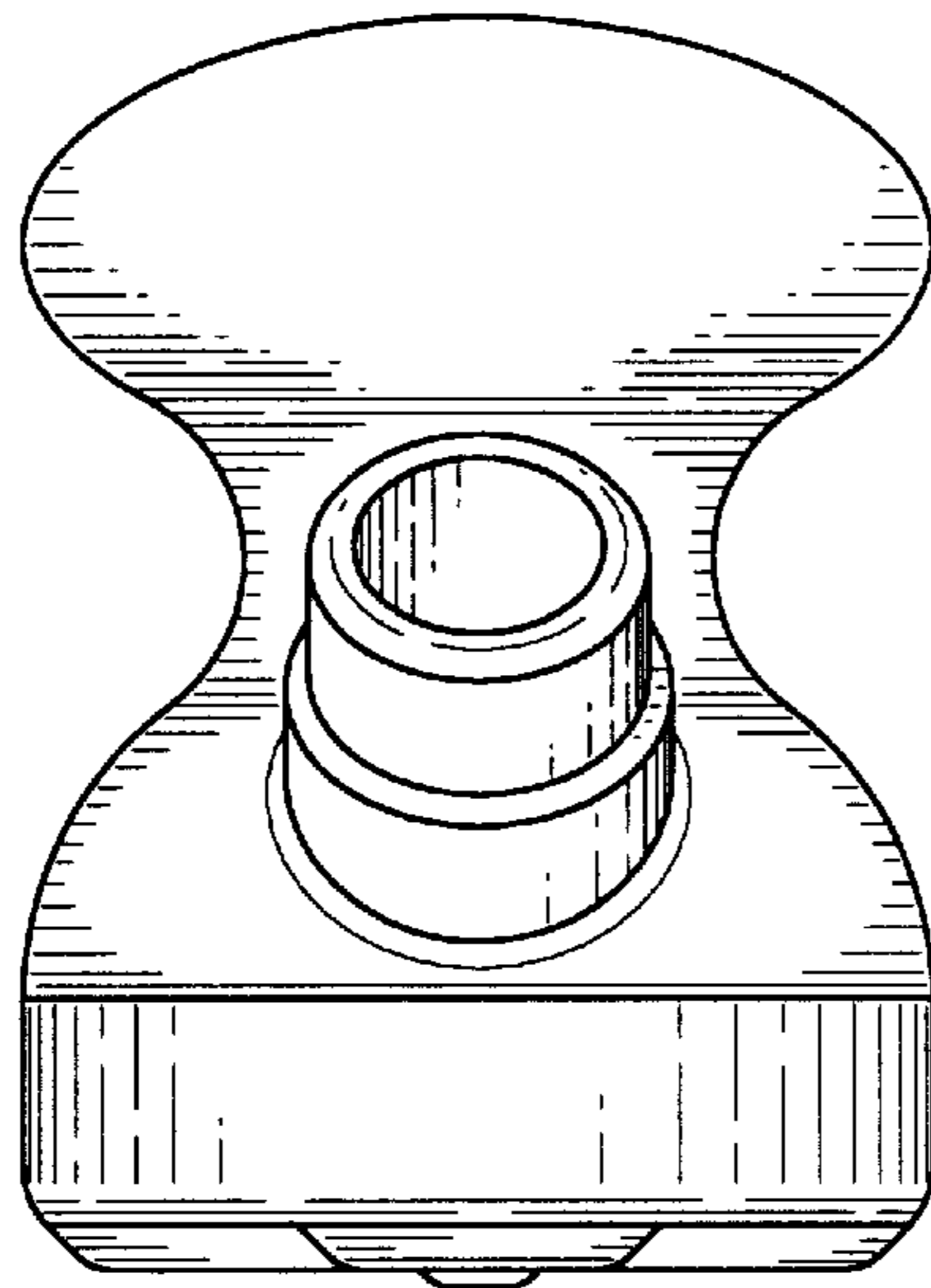


Fig. 10

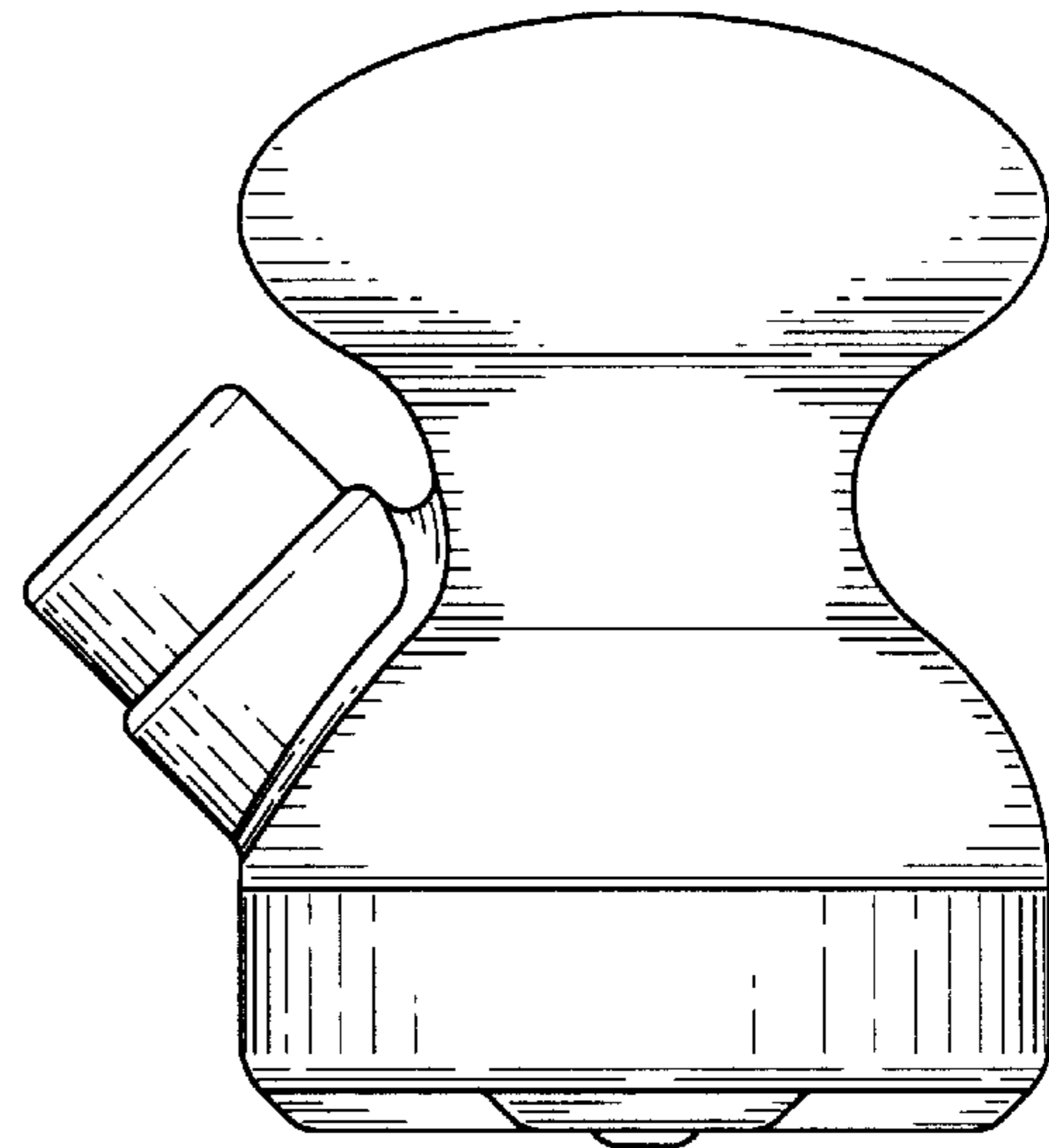


Fig. 11

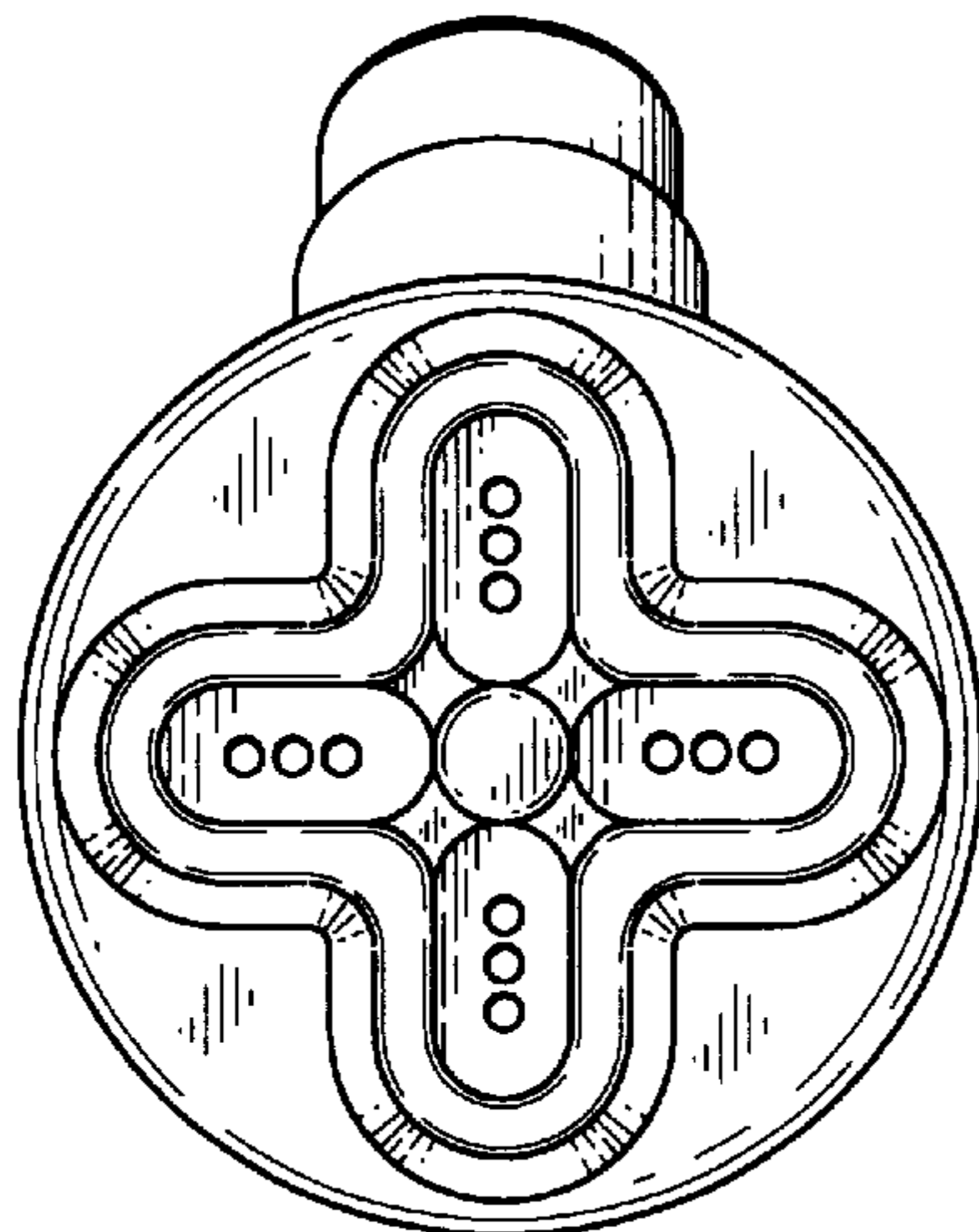


Fig. 12

