



US00D438968S

(12) **United States Design Patent**
Asfora

(10) **Patent No.:** **US D438,968 S**

(45) **Date of Patent:** **** Mar. 13, 2001**

(54) **SPINOUS PROCESS PUNCH**

5,746,751 * 5/1998 Sherts 606/139

(76) Inventor: **Wilson T. Asfora**, 1500 W. 22nd St.,
Suite 101, Sioux Falls, SD (US) 57105

* cited by examiner

Primary Examiner—Ian Simmons

(**) Term: **14 Years**

(57) **CLAIM**

(21) Appl. No.: **29/105,950**

The ornamental design for a spinous process punch, as shown and described.

(22) Filed: **Jun. 4, 1999**

DESCRIPTION

(51) **LOC (7) Cl.** **24-02**

FIG. 1 is a perspective view of the spinous process punch of the instant invention;

(52) **U.S. Cl.** **D24/147**

FIG. 2 is a right side plane view of the spinous process punch illustrated in FIG. 1;

(58) **Field of Search** D24/146, 147,
D24/133, 143; 606/117, 185, 167, 2, 15,
17, 16, 91, 102, 105, 205

FIG. 3 is a front plane view of the spinous process punch illustrated in FIG. 1, a rear plane view forming a mirror image thereof—not shown;

(56) **References Cited**

FIG. 4 is a left side plane view of the spinous process punch illustrated in FIG. 1;

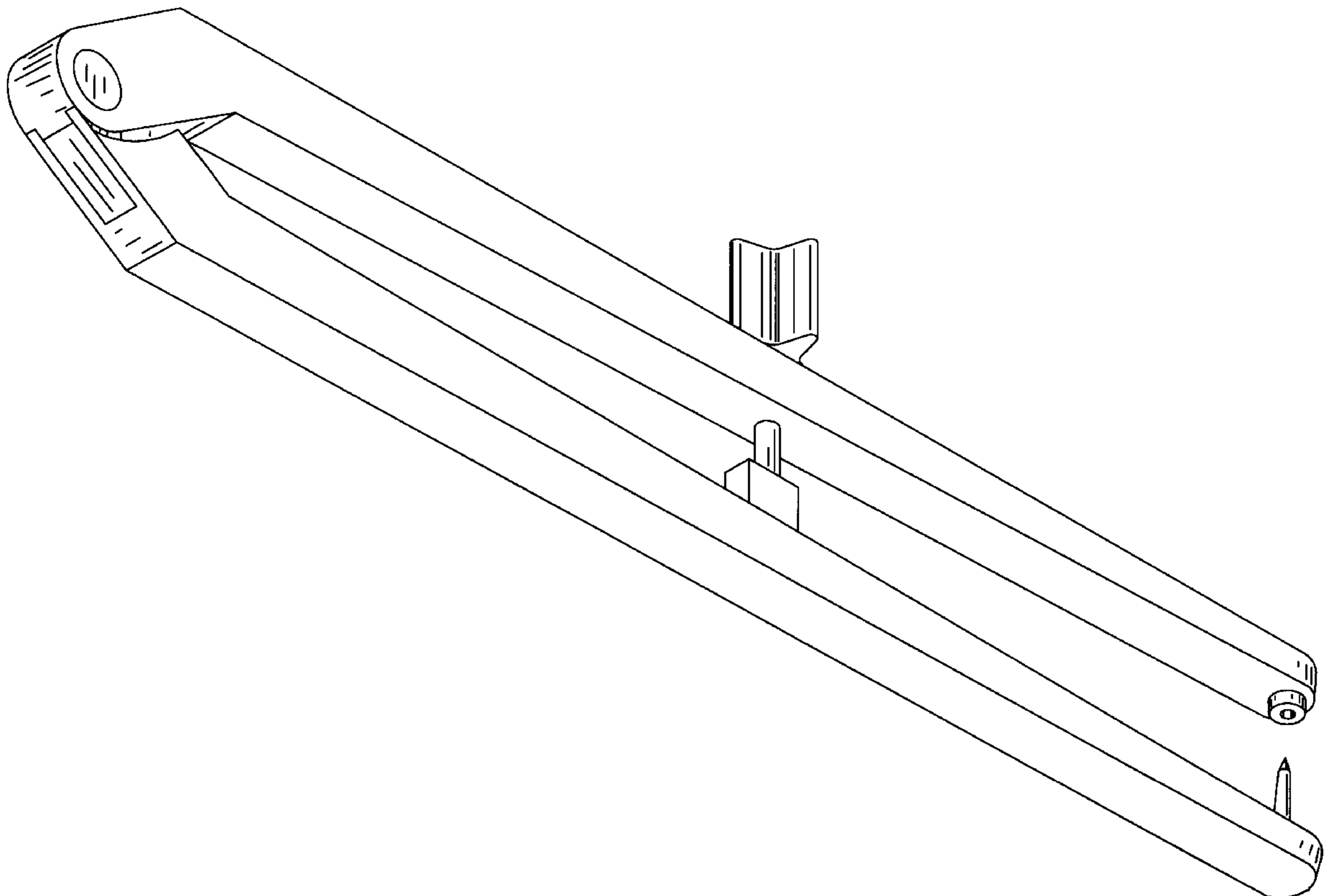
U.S. PATENT DOCUMENTS

FIG. 5 is a top view of the spinous process punch illustrated in FIG. 1; and,

D. 300,244	*	3/1989	Orejola	D24/148
D. 397,218	*	8/1998	Cadaver	D24/143
3,349,772	*	10/1967	Rygg	D24/143
3,812,859	*	5/1974	Murphy et al.	606/117
4,312,337	*	1/1982	Donohue	606/205

FIG. 6 is a bottom view of the spinous process punch illustrated in FIG. 1.

1 Claim, 4 Drawing Sheets



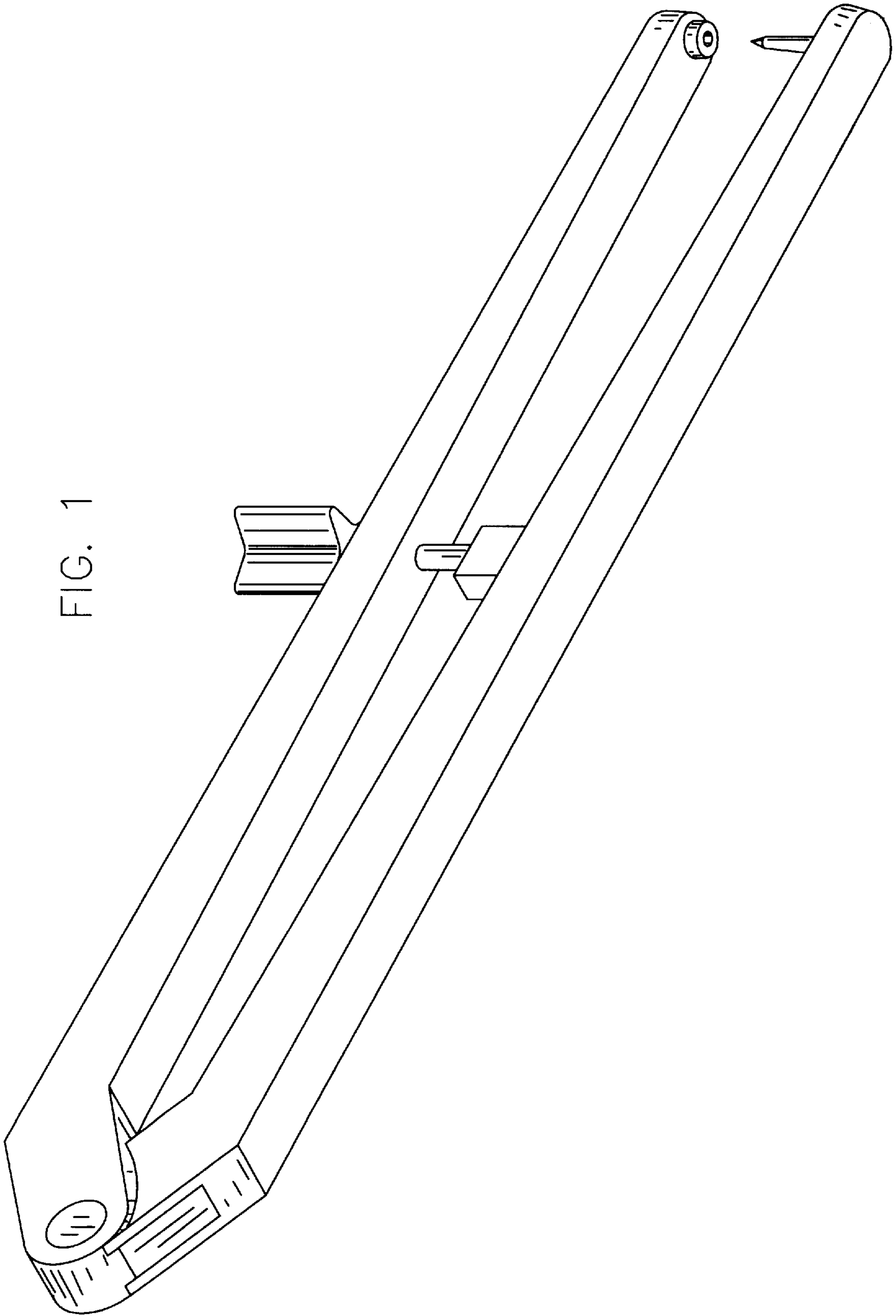


FIG. 1

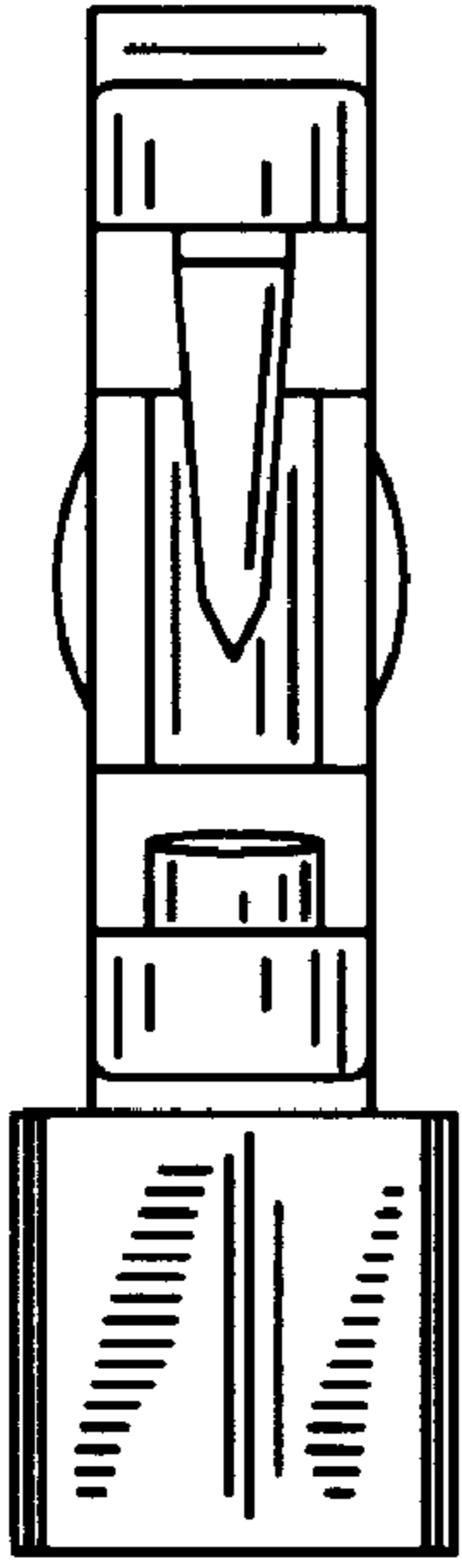


FIG. 4

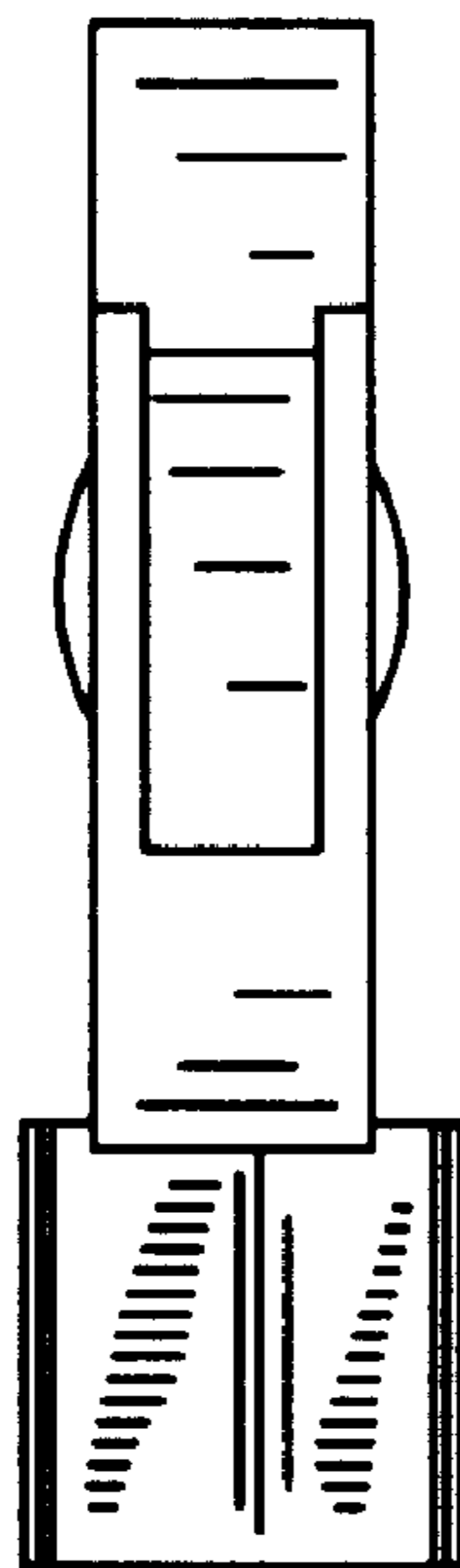


FIG. 2

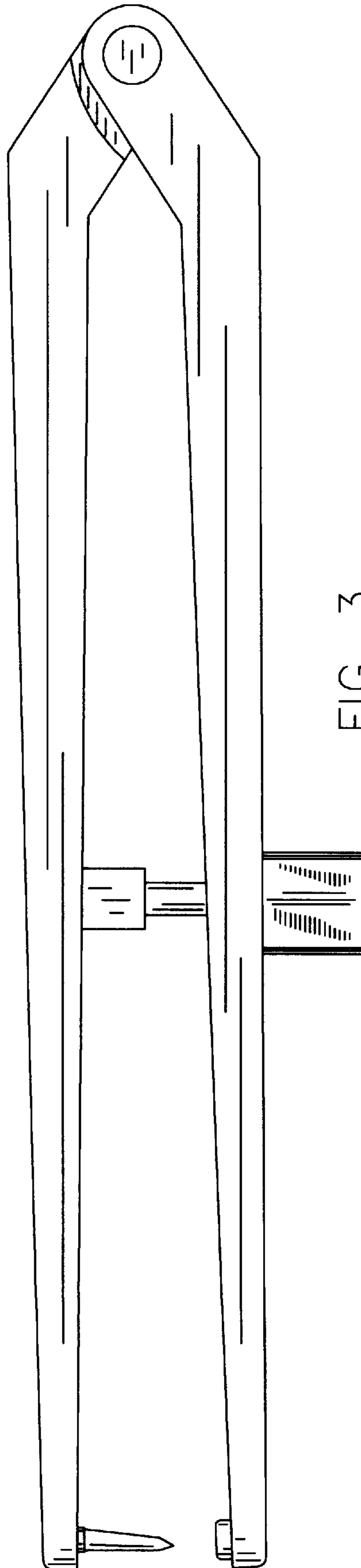


FIG. 3

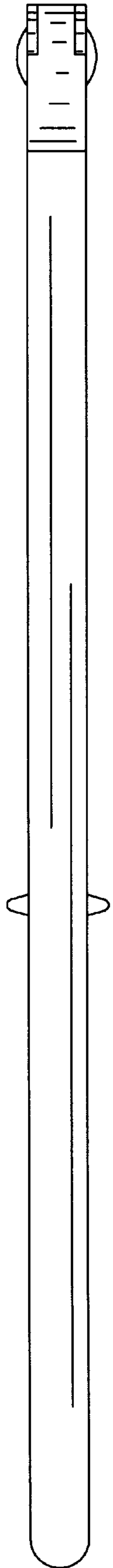


FIG. 5

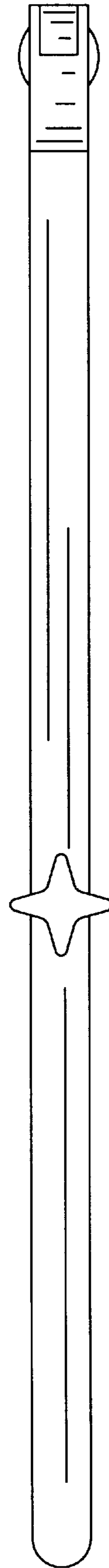


FIG. 6