



US00D438966S

(12) **United States Design Patent**
Koros et al.

(10) **Patent No.:** **US D438,966 S**

(45) **Date of Patent:** **** Mar. 13, 2001**

(54) **VARIABLE WIDTH RETRACTOR ARM CLAMP**

4,133,081 * 1/1979 Hurson 600/230
4,467,791 * 8/1984 Cabrera et al. 600/234
5,893,831 * 4/1999 Koros et al. 600/232

(76) Inventors: **Tibor B. Koros; Gabriel J. Koros,**
both of 610 Flinn Ave., Moorpark, CA
(US) 93021

* cited by examiner

Primary Examiner—Ian Simmons

(74) *Attorney, Agent, or Firm*—David O'Reilly

(**) Term: **14 Years**

(57) **CLAIM**

(21) Appl. No.: **29/112,412**

The ornamental design for a variable width retractor arm clamp, substantially as shown and described.

(22) Filed: **Oct. 14, 1999**

DESCRIPTION

(51) **LOC (7) Cl.** **24-02**

(52) **U.S. Cl.** **D24/135; D24/128**

(58) **Field of Search** D24/135, 128;
D8/394, 72, 71; 600/102, 234, 228, 230,
219, 231, 232; 248/541, 516

FIG. 1 is a perspective view of a variable width retractor arm clamp showing our new design, the broken line showing is for illustrative purposes only and forms no part of the claimed design.

FIG. 2 is a front elevational view thereof.

FIG. 3 is a rear elevational view thereof.

FIG. 4 is a left elevational view thereof.

FIG. 5 is a right elevational view thereof.

FIG. 6 is a top plan view thereof; and,

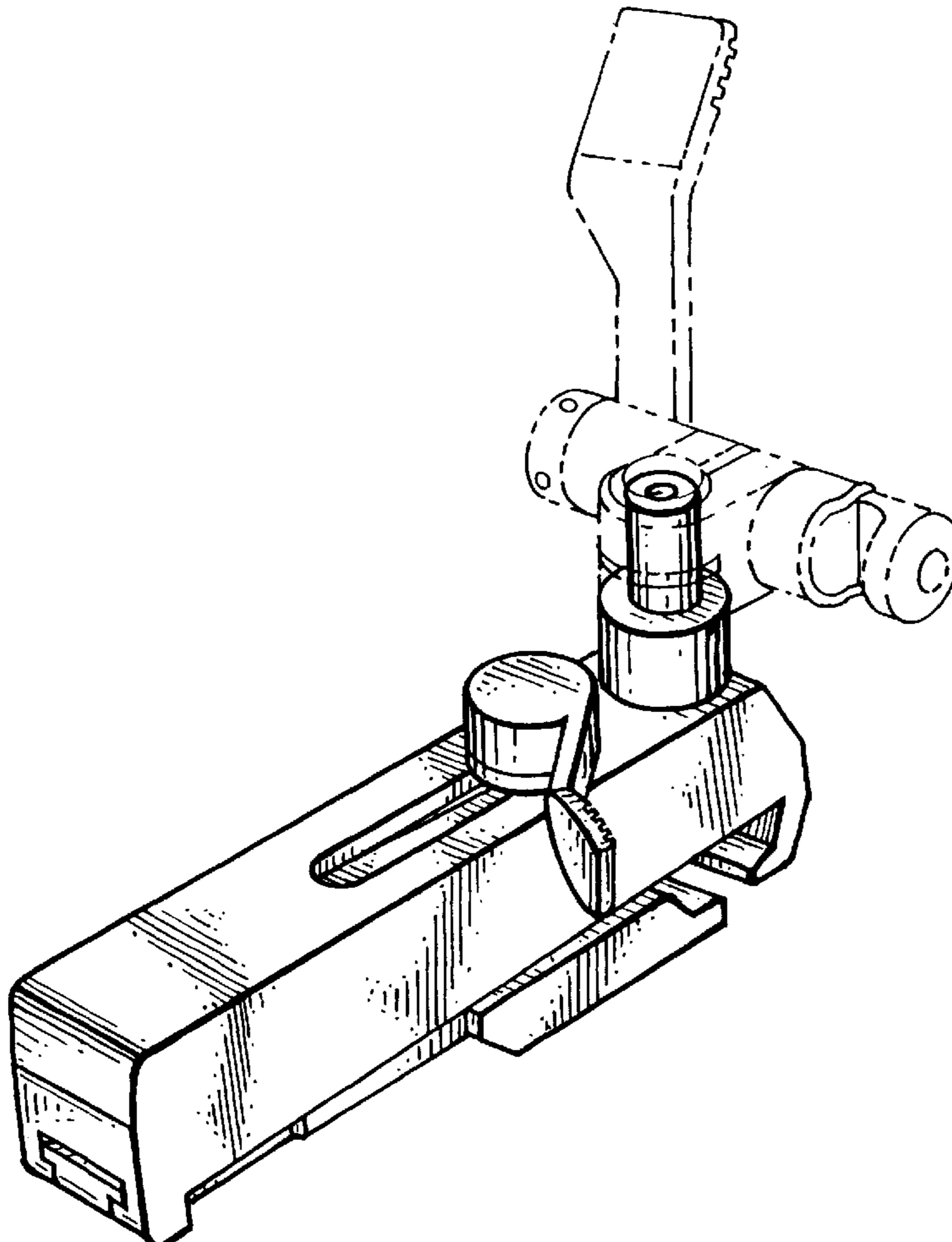
FIG. 7 is a bottom plan view thereof.

(56) **References Cited**

U.S. PATENT DOCUMENTS

D. 397,791 * 9/1998 Koros et al. D24/135
D. 421,803 * 3/2000 Koros et al. D24/135
D. 425,620 * 5/2000 Koros et al. D24/135
3,749,088 * 7/1973 Kohlmann 600/215

1 Claim, 2 Drawing Sheets



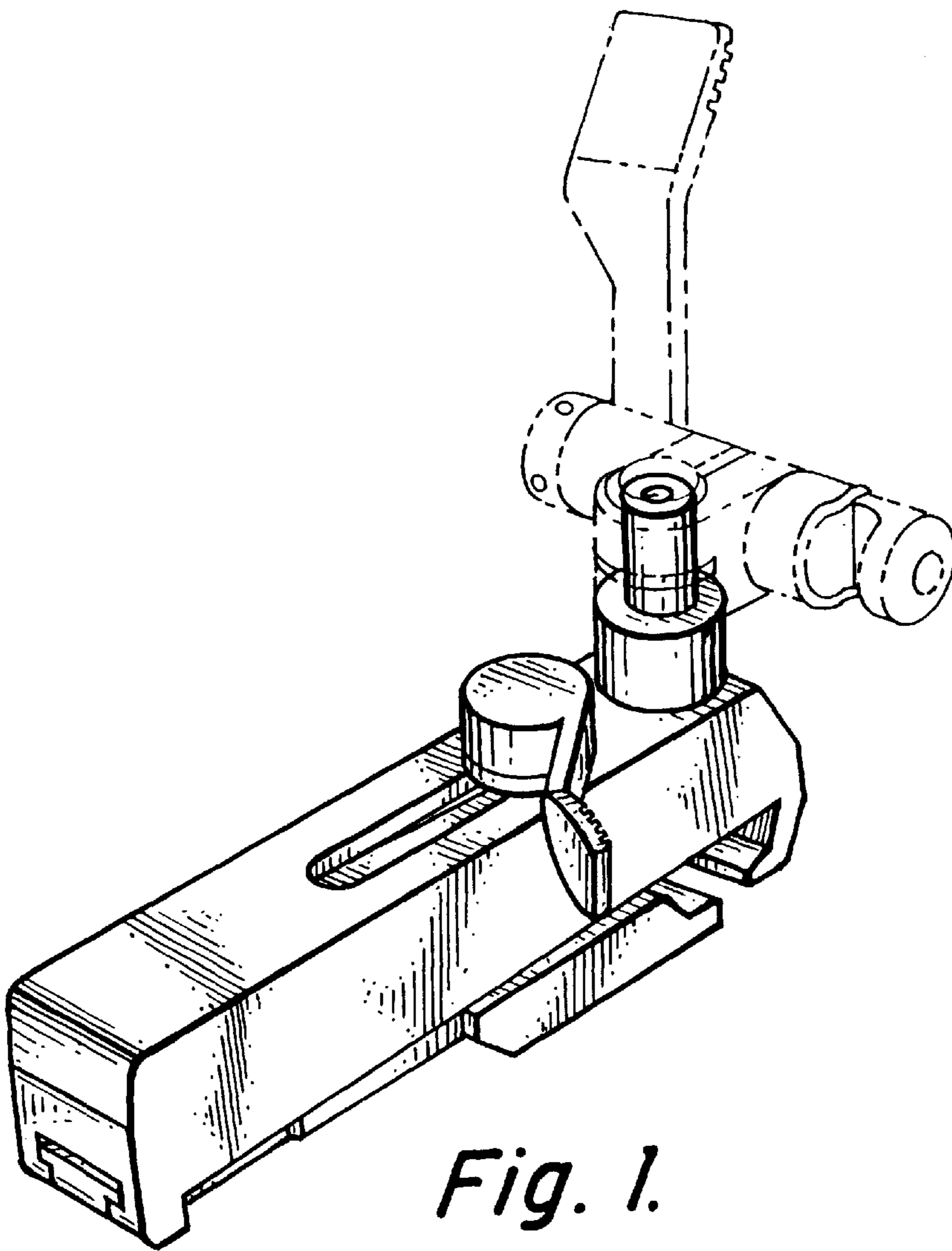


Fig. 1.

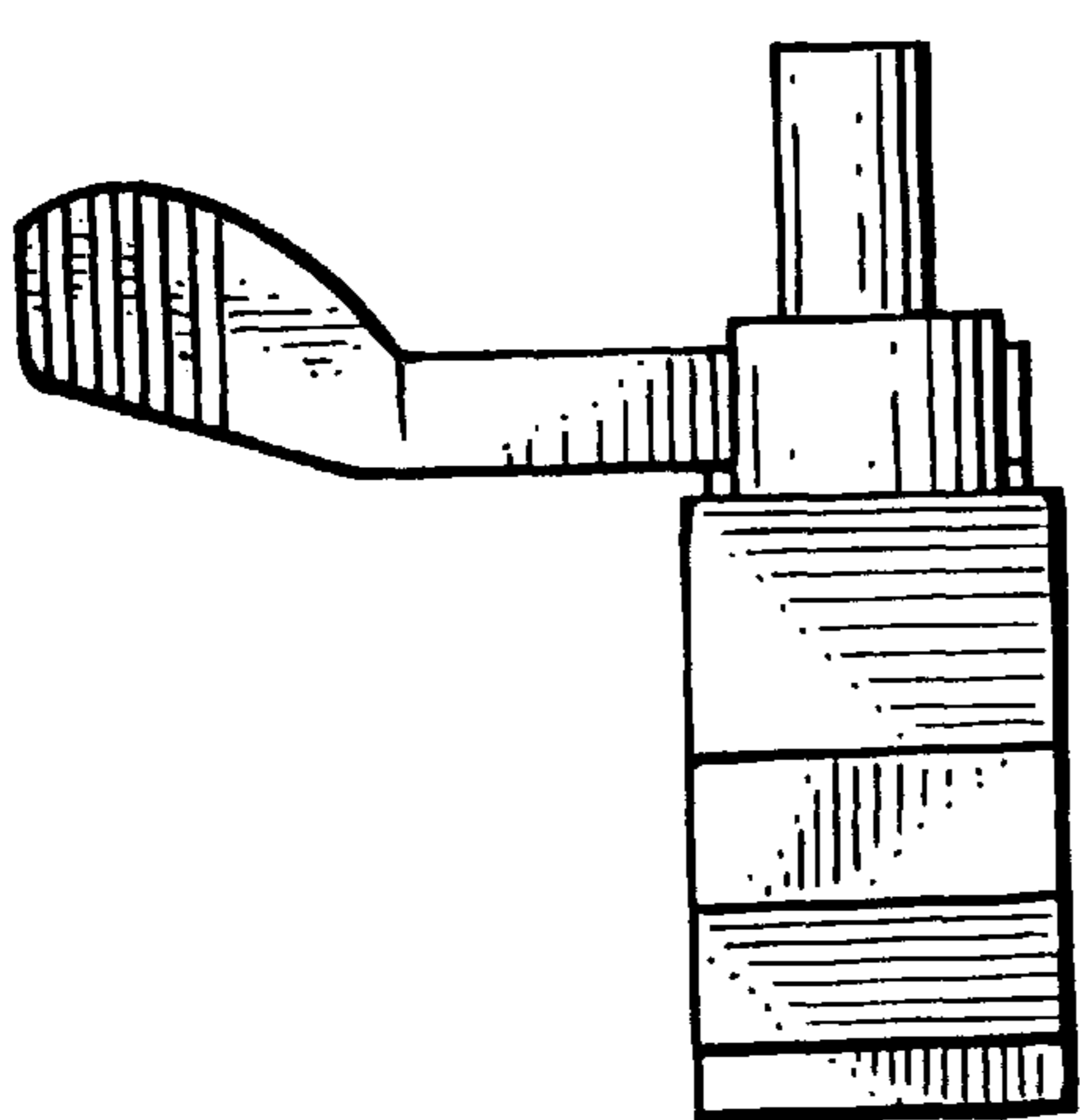


Fig. 2.

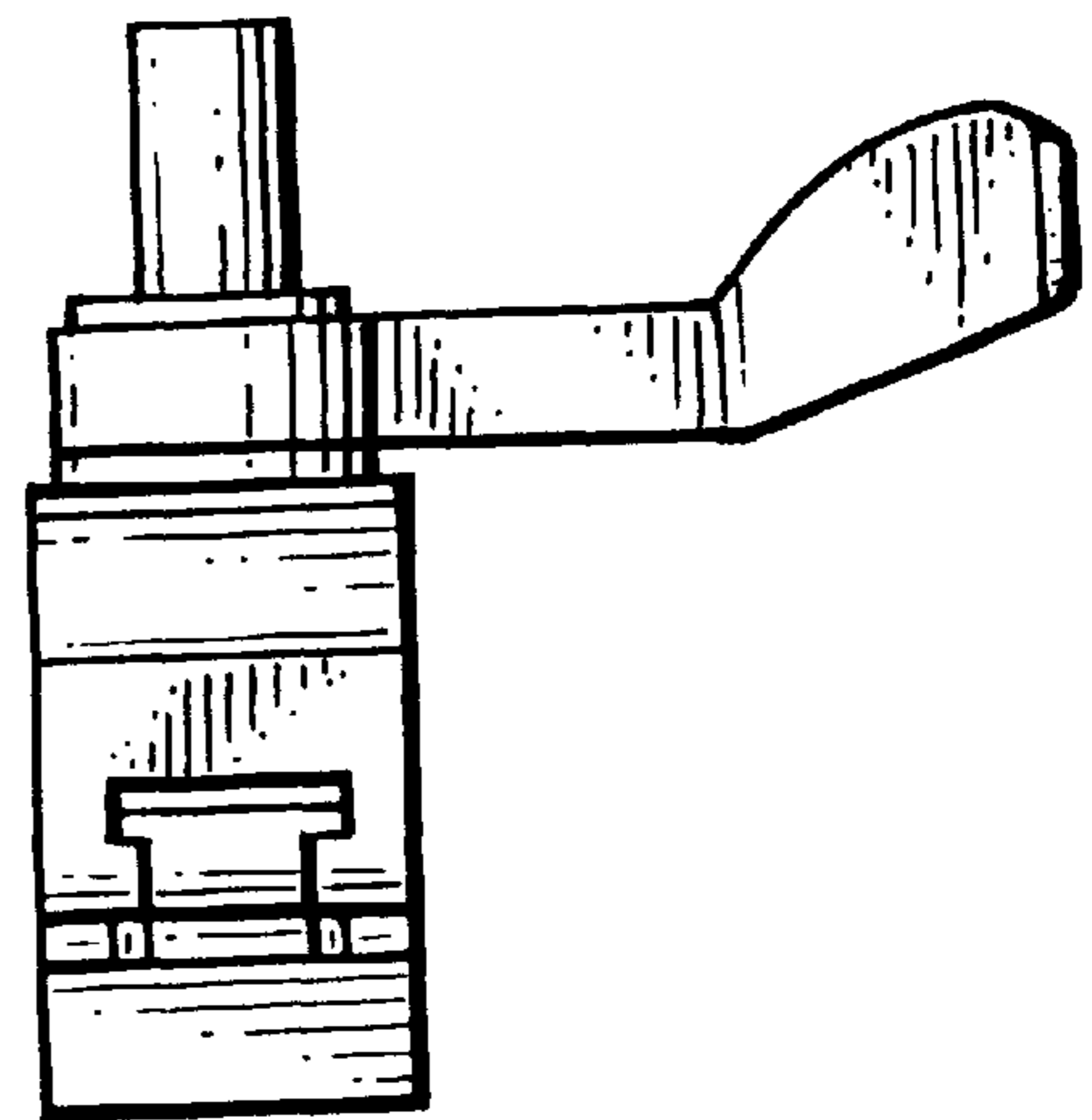


Fig. 3.

Fig. 4.

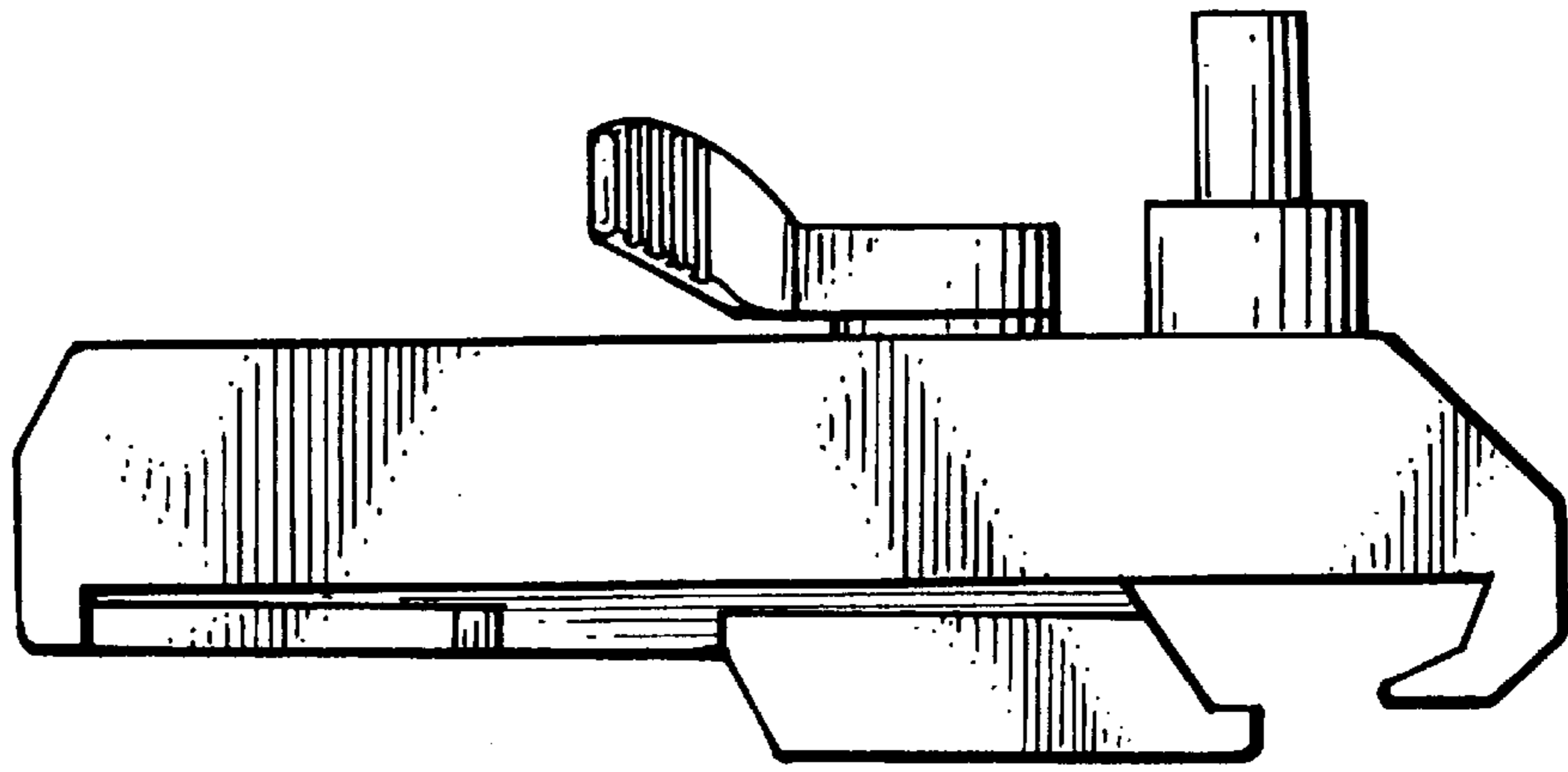


Fig. 5.

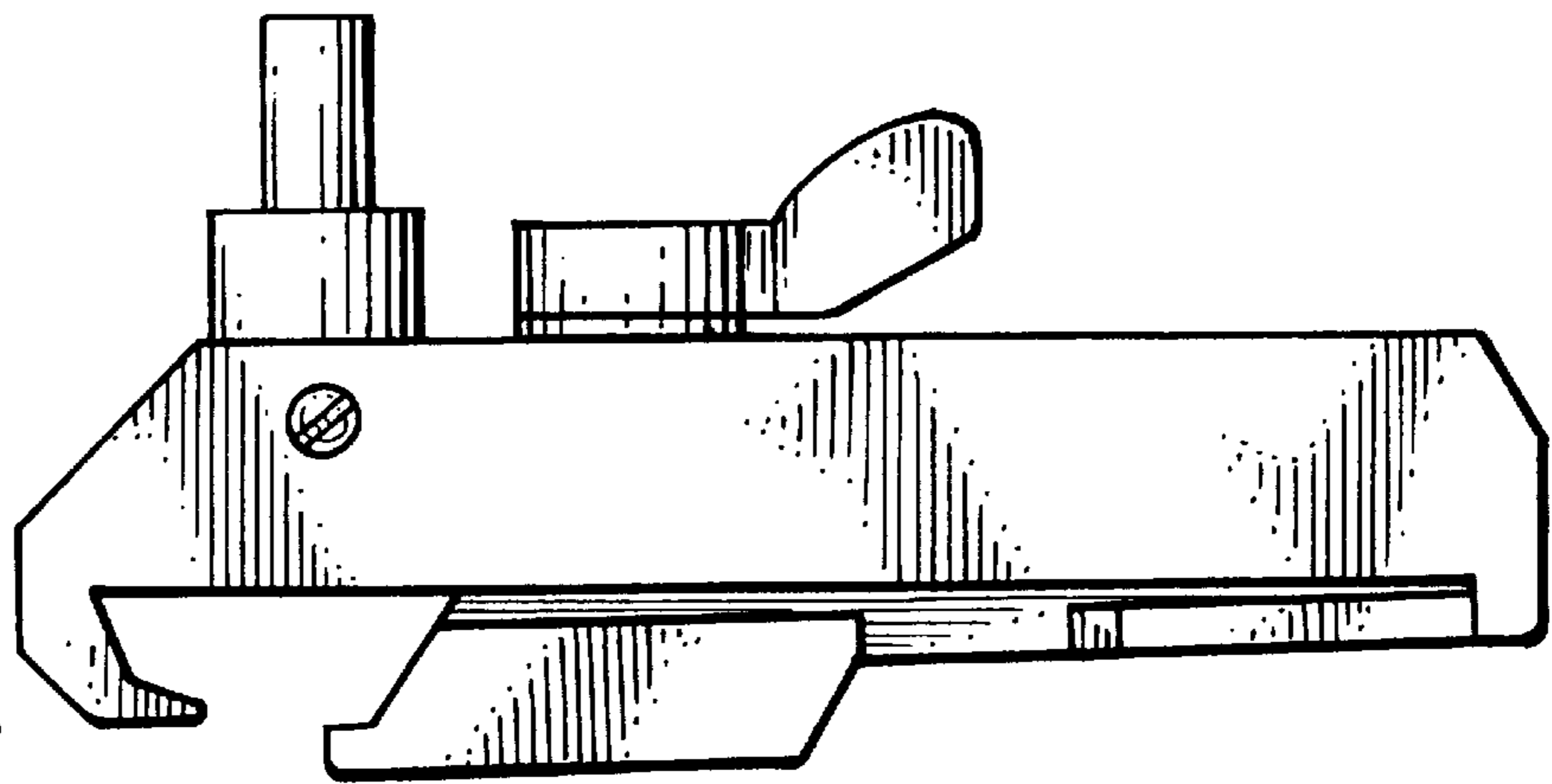


Fig. 6.

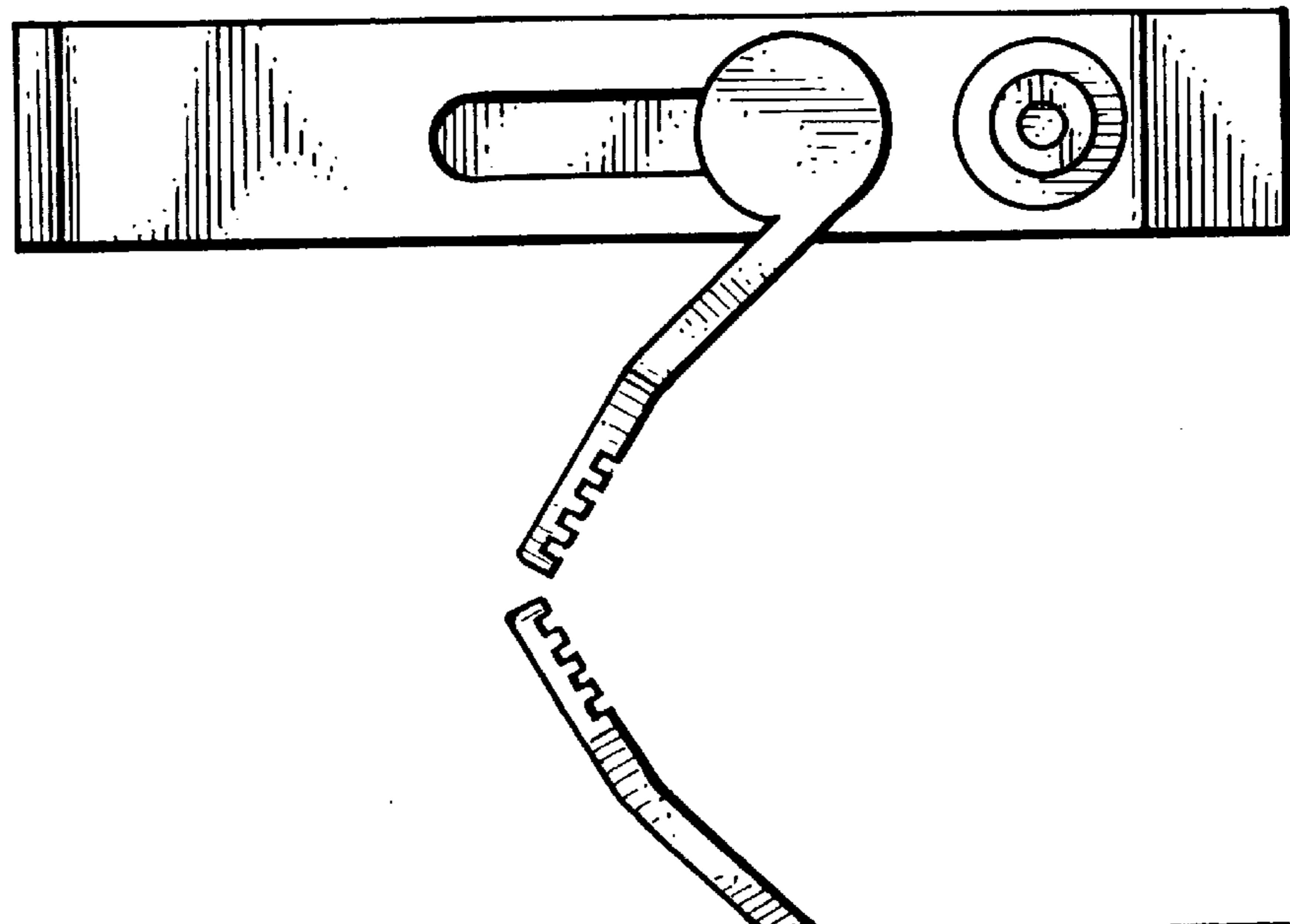


Fig. 7.

