



US00D438965S

(12) **United States Design Patent**
Porat

(10) **Patent No.:** **US D438,965 S**

(45) **Date of Patent:** **** Mar. 13, 2001**

(54) **SURGICAL STAPLE REMOVER**

(75) Inventor: **Amir Porat**, Ganei-Yuhuda (IL)

(73) Assignee: **Kencap Ltd.**, Yahud (IL)

(**) Term: **14 Years**

(21) Appl. No.: **29/112,864**

(22) Filed: **Oct. 25, 1999**

(51) **LOC (7) Cl.** **24-02**

(52) **U.S. Cl.** **D24/133; D24/143; D24/148**

(58) **Field of Search** **D24/143, 133,**
D24/148; D8/48; 606/138; 227/63; 254/28,
24

(56) **References Cited**

U.S. PATENT DOCUMENTS

- D. 280,019 * 8/1985 Meyer et al. D24/133
- D. 283,048 * 3/1986 Sharkany D24/133
- 4,487,394 * 12/1984 Rothfuss et al. 254/28
- 4,515,348 * 5/1985 Blake 254/28

- 4,569,505 * 2/1986 Braun 254/28
- 4,589,631 * 5/1986 Markus 254/28
- 4,805,876 * 2/1989 Blake et al. 254/28

* cited by examiner

Primary Examiner—Ian Simmons

(74) *Attorney, Agent, or Firm*—Kenyon & Kenyon

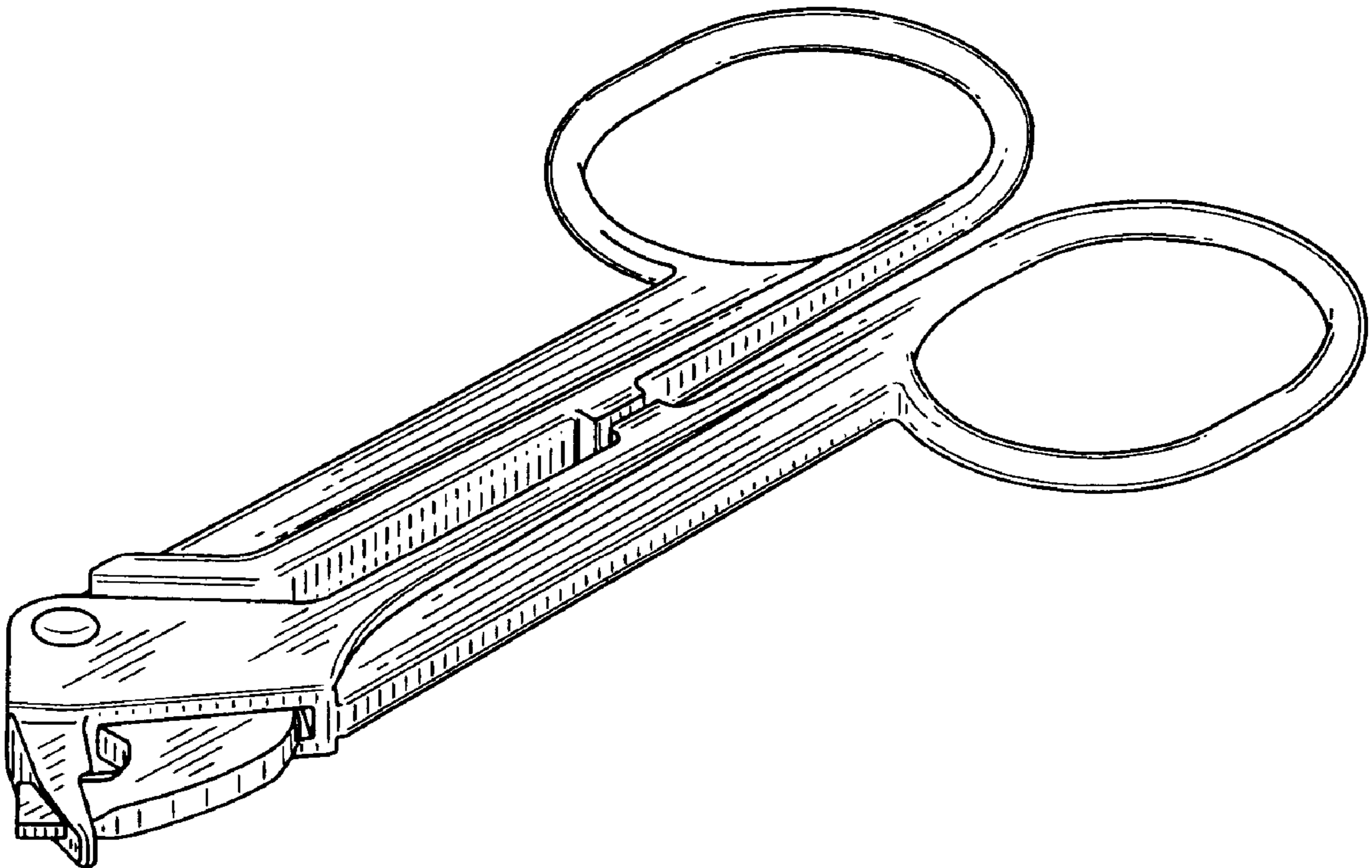
(57) **CLAIM**

An ornamental design for a surgical staple remover, as shown and described.

DESCRIPTION

FIG. 1 is a perspective view of the surgical staple remover; FIG. 2 is a top view of the surgical staple remover; FIG. 3 is a bottom view of the surgical staple remover; FIG. 4 is a right side view of the surgical staple remover; FIG. 5 is a left side view of the surgical staple remover; FIG. 6 is a rear view of the surgical staple remover; FIG. 7 is a front view of the surgical staple remover; and, FIG. 8 is a perspective view of the surgical staple remover in an open position.

1 Claim, 6 Drawing Sheets



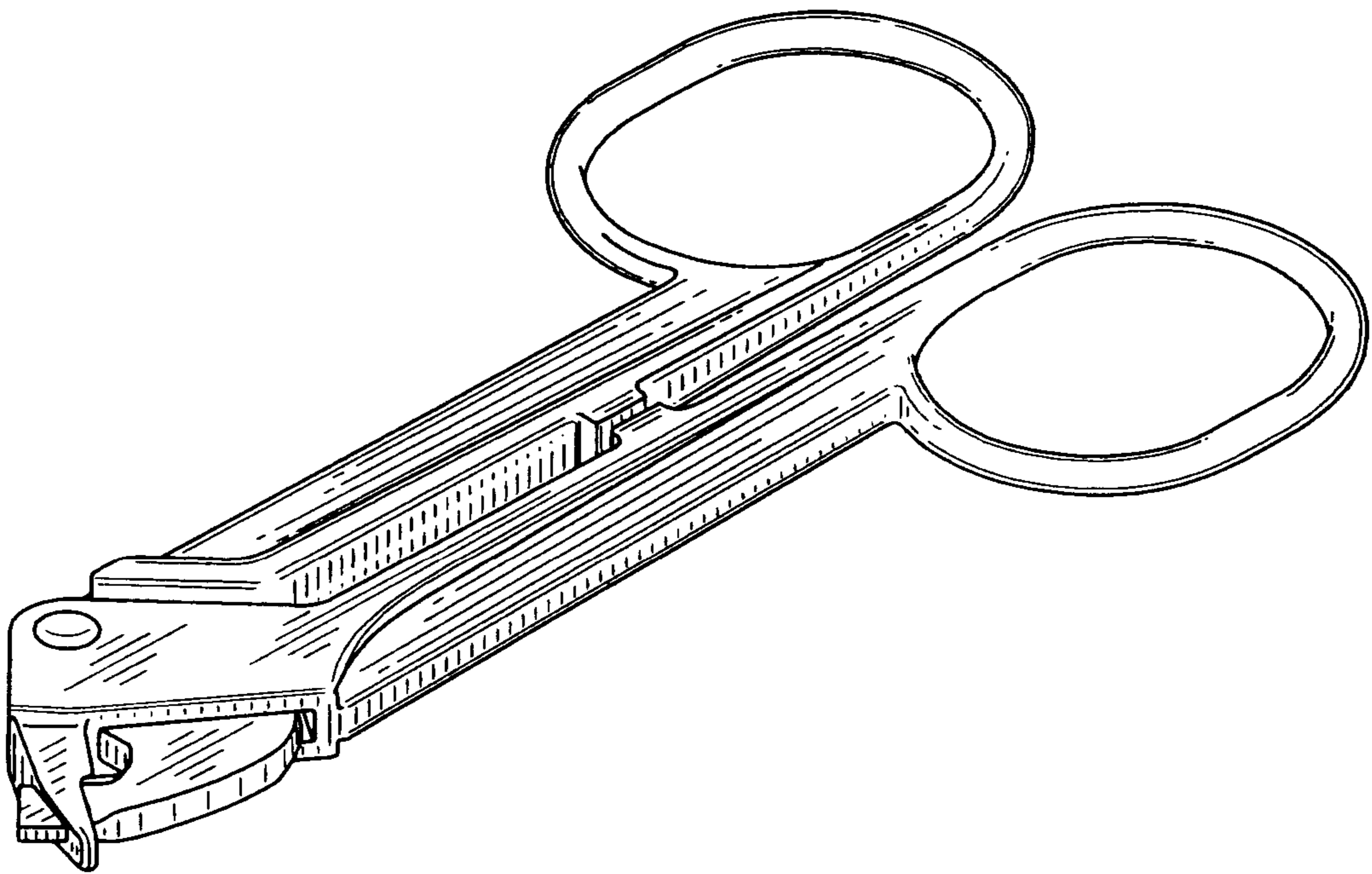


FIG. 1

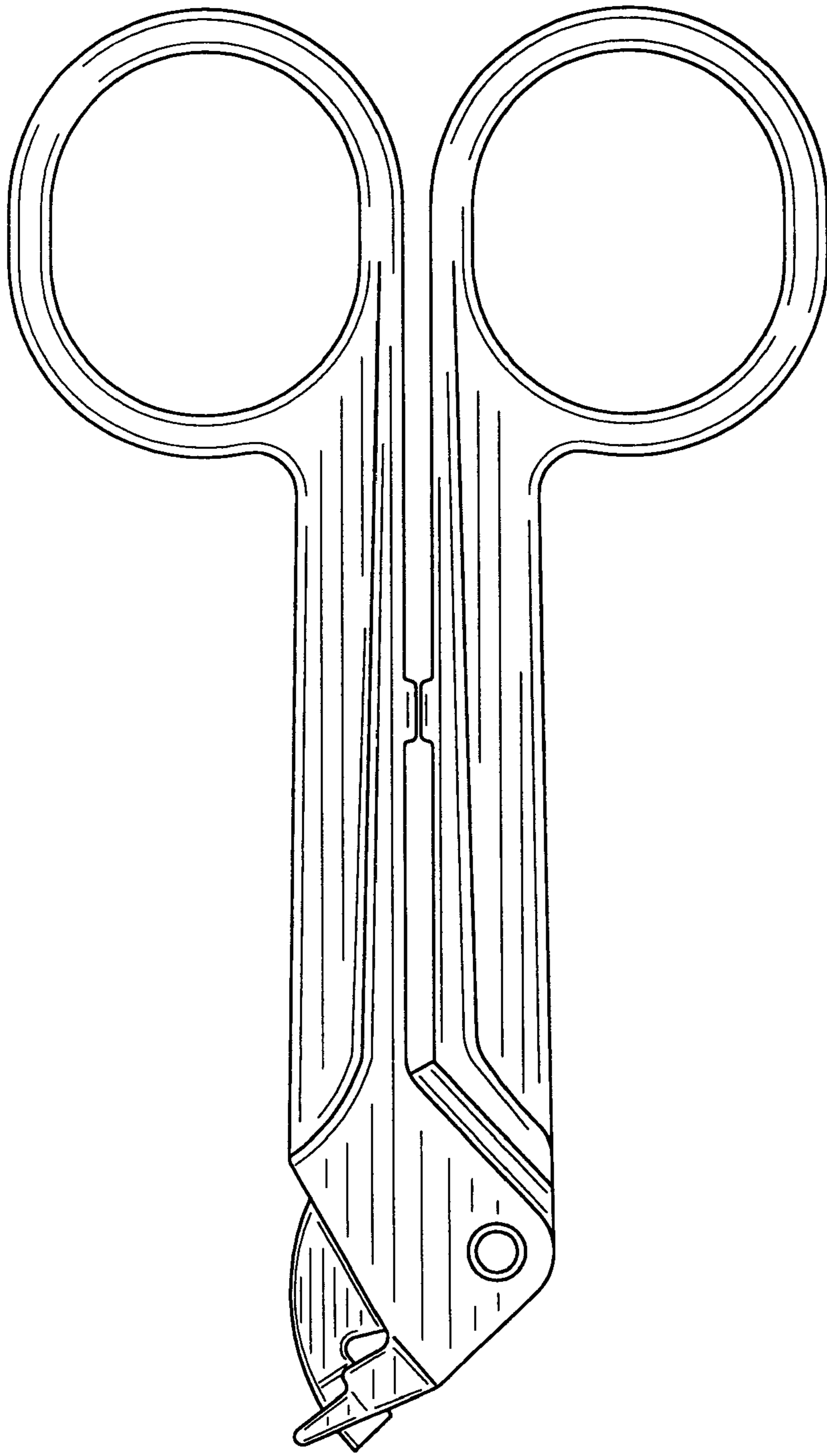


FIG.2

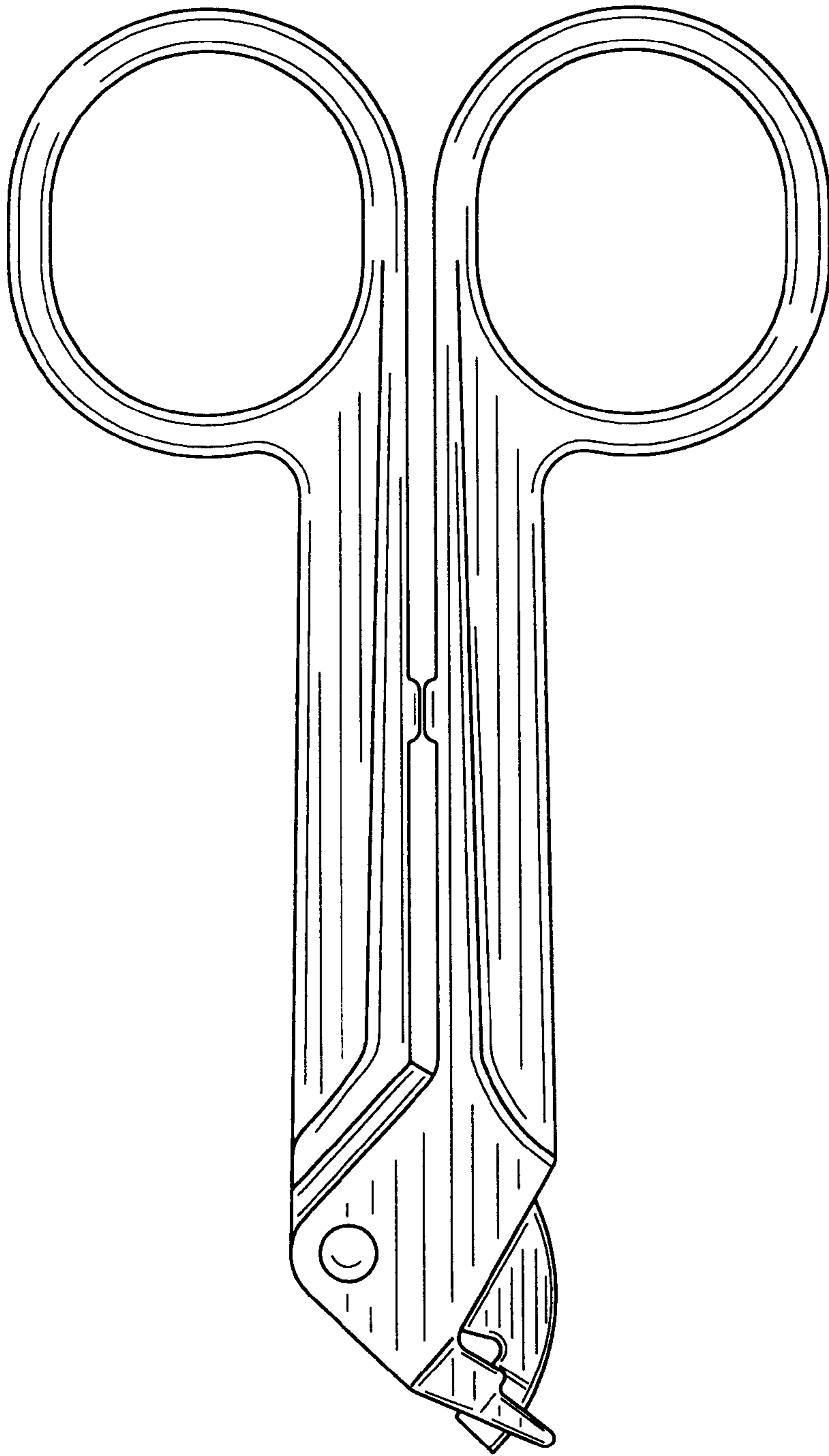


FIG. 3

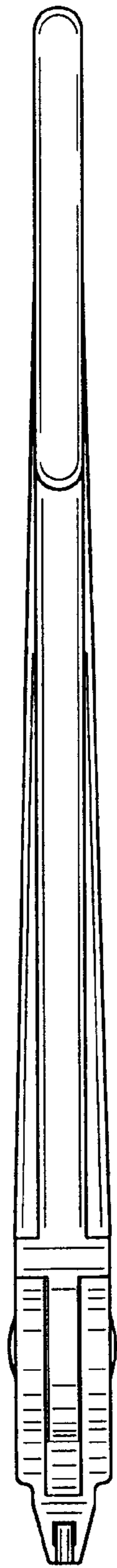


FIG. 4

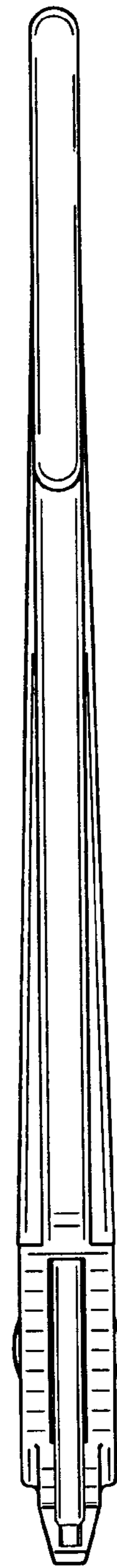


FIG. 5

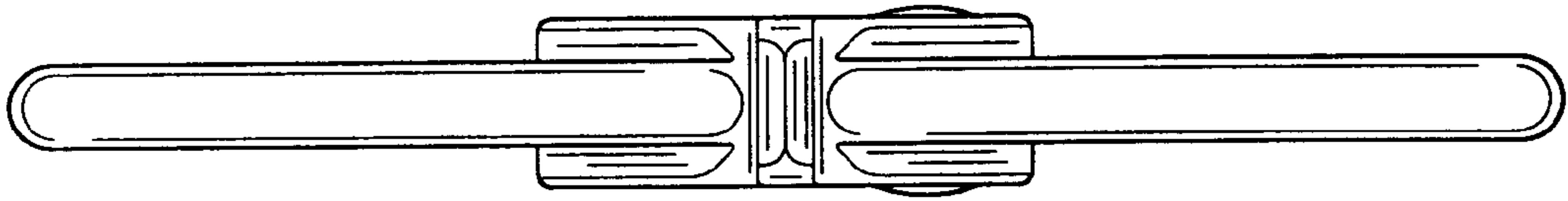


FIG. 6

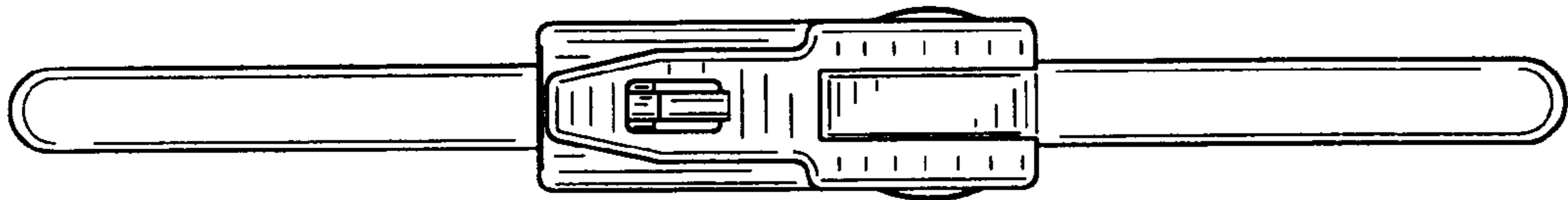


FIG. 7

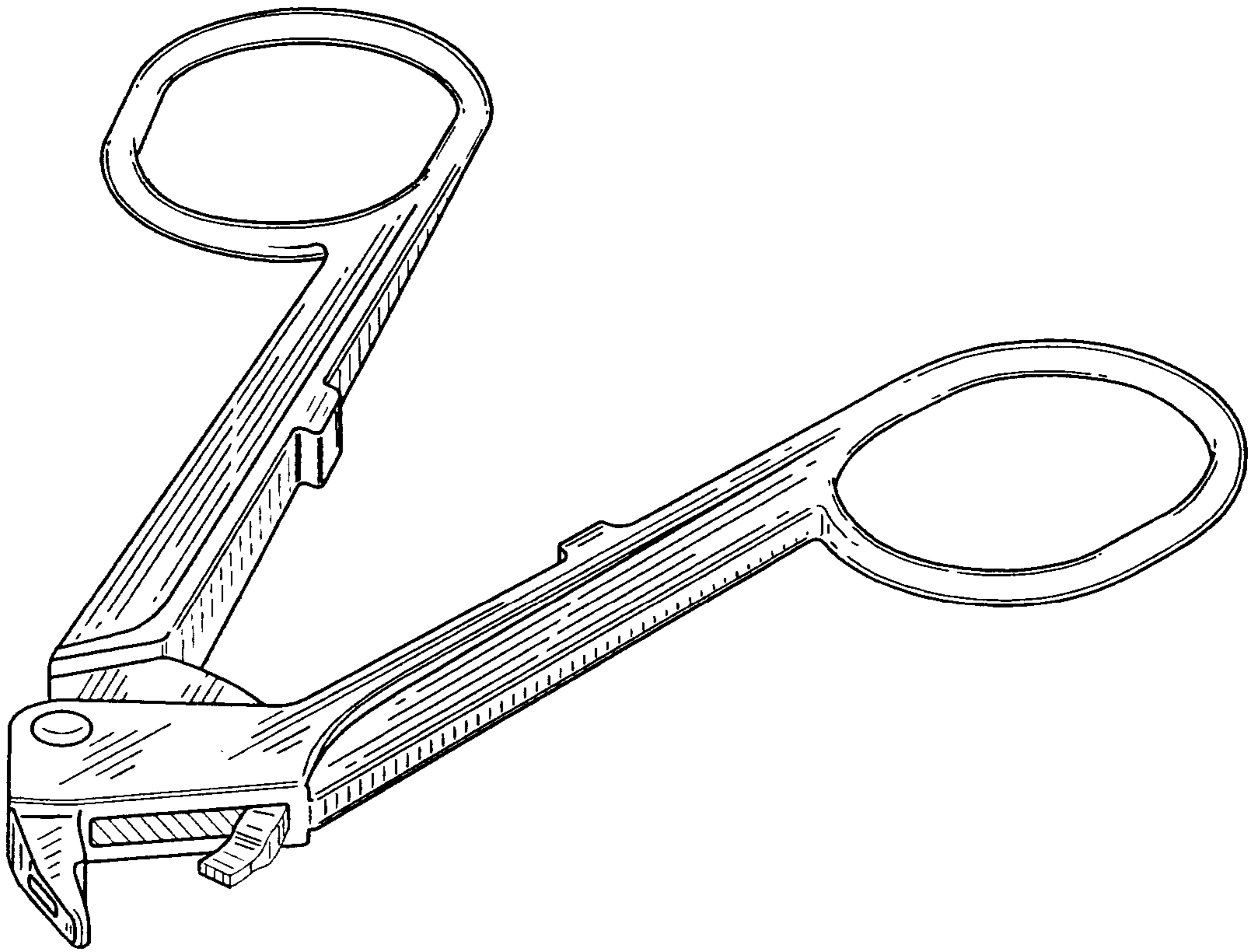


FIG. 8