



US00D438955S

(12) **United States Design Patent**
Rudzena et al.

(10) **Patent No.: US D438,955 S**

(45) **Date of Patent: ** Mar. 13, 2001**

(54) **CAP FOR A PHARMACEUTICAL CONTAINER**

(75) Inventors: **William L. Rudzena**, McHenry; **Peter Smigura**, Winthrop Harbor, both of IL (US); **Oliver Vogt**, Kenosha, WI (US)

(73) Assignee: **Abbott Laboratories**, Abbott Park, IL (US)

(**) Term: **14 Years**

(21) Appl. No.: **29/113,623**

(22) Filed: **Nov. 9, 1999**

(51) **LOC (7) Cl. 24-04**

(52) **U.S. Cl. D24/121; D9/449; D24/127**

(58) **Field of Search D24/100, 110, D24/115, 114, 117, 121, 127, 129, 224; D9/500, 503, 505, 337, 338, 551, 434, 435, 444, 445, 449; 215/235, 236, 237, 295, 355, 356, 200, DIG. 3; 604/212, 294; 222/420, 421**

(56) **References Cited**

U.S. PATENT DOCUMENTS

- D. 199,606 11/1964 Waterman .
- D. 233,314 * 10/1974 Turner et al. D24/115
- D. 259,213 * 5/1981 Pagels D24/117
- D. 303,013 * 8/1989 Konopka D24/129
- D. 317,127 * 5/1991 Zubek D9/435
- D. 358,295 * 5/1995 Moench D9/449
- D. 362,808 10/1995 Scott et al. .
- D. 369,211 4/1996 Weiler .

- D. 421,495 * 3/2000 Hellstrom et al. D24/121
- D. 421,496 * 5/2000 Hellstrom et al. D24/121
- D. 425,195 * 5/2000 Hellstrom et al. D24/115
- D. 428,141 * 7/2000 Brotspies et al. D24/114
- D. 431,648 * 10/2000 Jansen et al. D24/121
- 4,890,753 1/1990 Duryee et al. .
- 5,165,546 11/1992 Jaeger et al. .
- 5,782,345 7/1998 Guasch et al. .
- 5,890,610 * 4/1999 Jansen et al. 215/DIG. 3

* cited by examiner

Primary Examiner—Alan P. Douglas

Assistant Examiner—Reid Hecker

(74) *Attorney, Agent, or Firm*—Daniel J. Hulseberg

(57) **CLAIM**

The ornamental design for a cap for a pharmaceutical container, as shown and described.

DESCRIPTION

FIG. 1 is a perspective view showing a representative embodiment of a cap for a pharmaceutical container of our new design in its intended environment as indicated by broken lines;

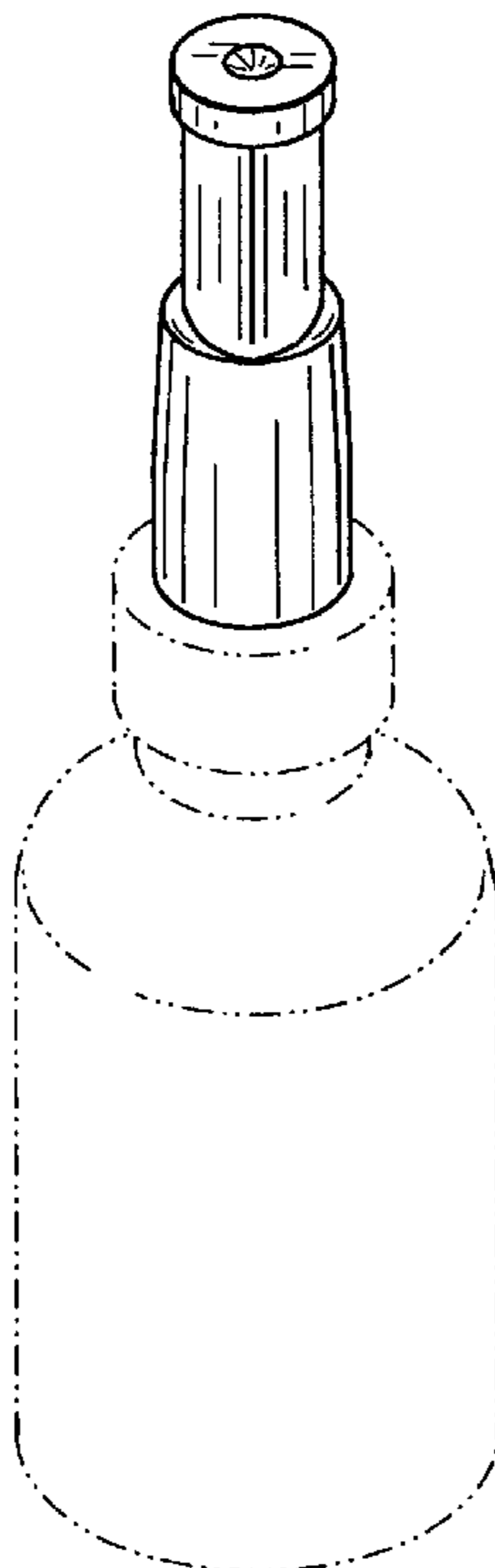
FIG. 2 is a left side elevational view thereof, the right side elevational view being identical thereto;

FIG. 3 is a front elevational view thereof, the rear elevational view being identical thereto; and,

FIG. 4 is a top plan view thereof, the bottom plan view being plain and unornamented.

It is noted that the broken lines of FIG. 1 are for illustrative purposes only, and form no part of the claimed invention.

1 Claim, 1 Drawing Sheet



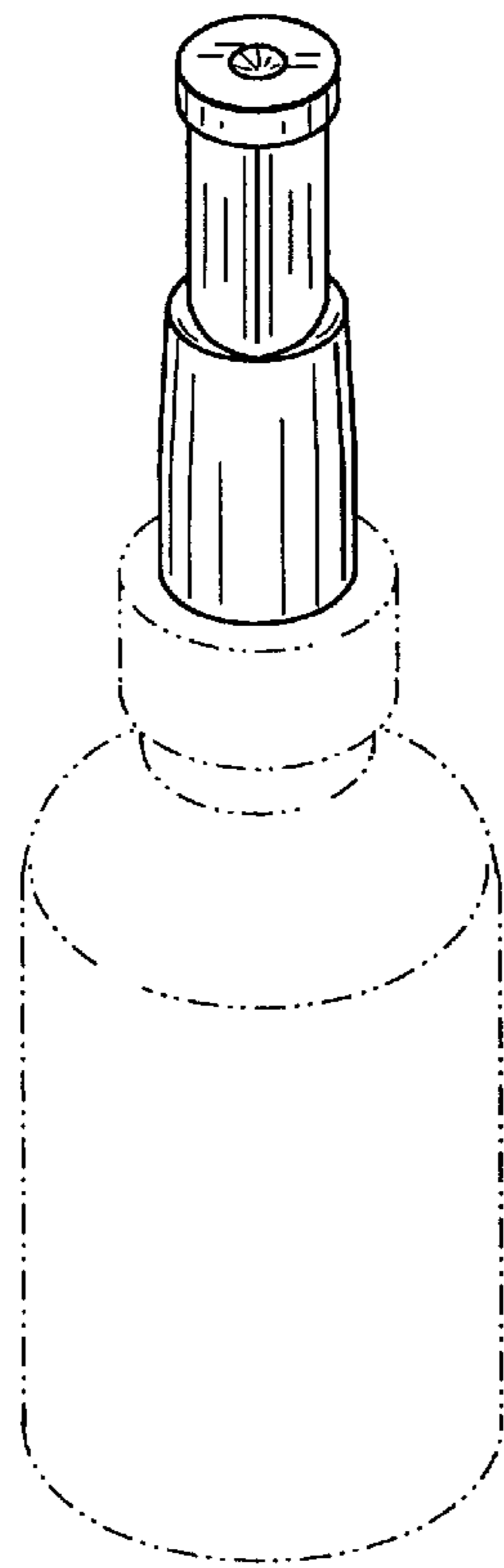


FIG. 1

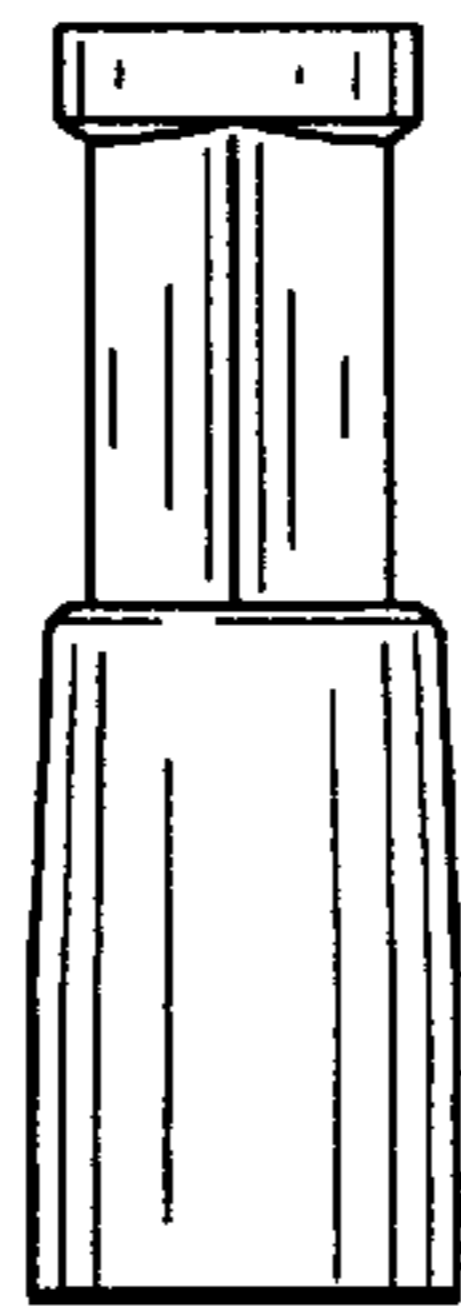


FIG. 2

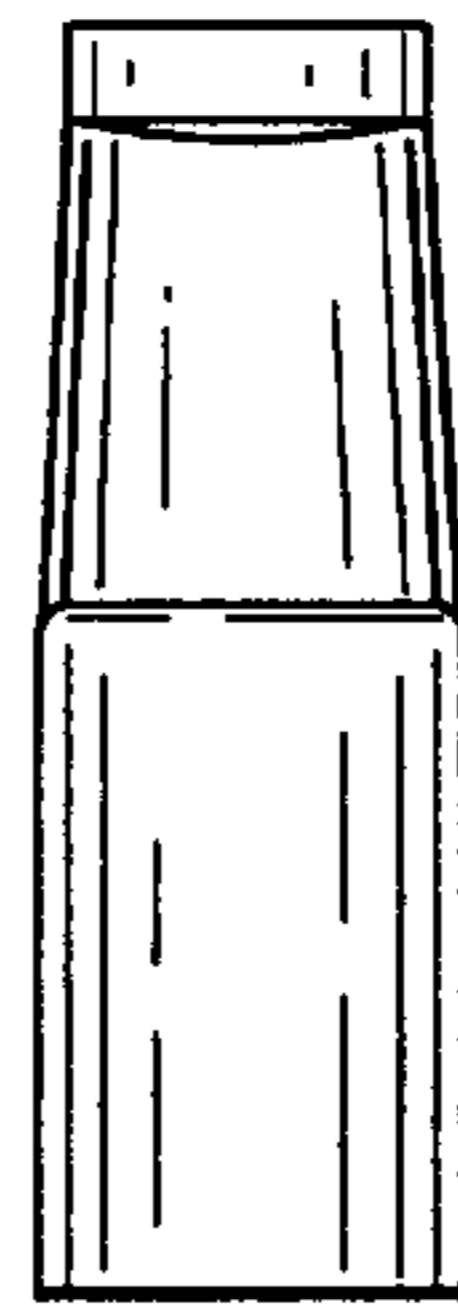


FIG. 3



FIG. 4