



US00D438953S

(12) **United States Design Patent**
Frank

(10) **Patent No.:** **US D438,953 S**

(45) **Date of Patent:** **** Mar. 13, 2001**

(54) **MEDICAMENT DISPENSER**

4,770,632 * 9/1988 Ryder et al. 433/80
6,030,212 * 2/2000 Schuman et al. 433/80

(75) Inventor: **Nikolaus Frank**, Enskede (SE)

* cited by examiner

(73) Assignee: **Amdent AB**, Nynashamn (SE)

Primary Examiner—Ian Simmons

(**) Term: **14 Years**

(74) *Attorney, Agent, or Firm*—Young & Thompson

(21) Appl. No.: **29/103,238**

(57) **CLAIM**

(22) Filed: **Apr. 12, 1999**

The ornamental design for a medicament dispenser, as shown.

(51) **LOC (7) Cl.** **24-01**

DESCRIPTION

(52) **U.S. Cl.** **D24/108; D24/111; D24/176**

(58) **Field of Search** D24/108, 111,
D24/176, 152; 433/80, 86, 81, 82, 84, 85,
120, 130, 119; 604/66, 65, 60

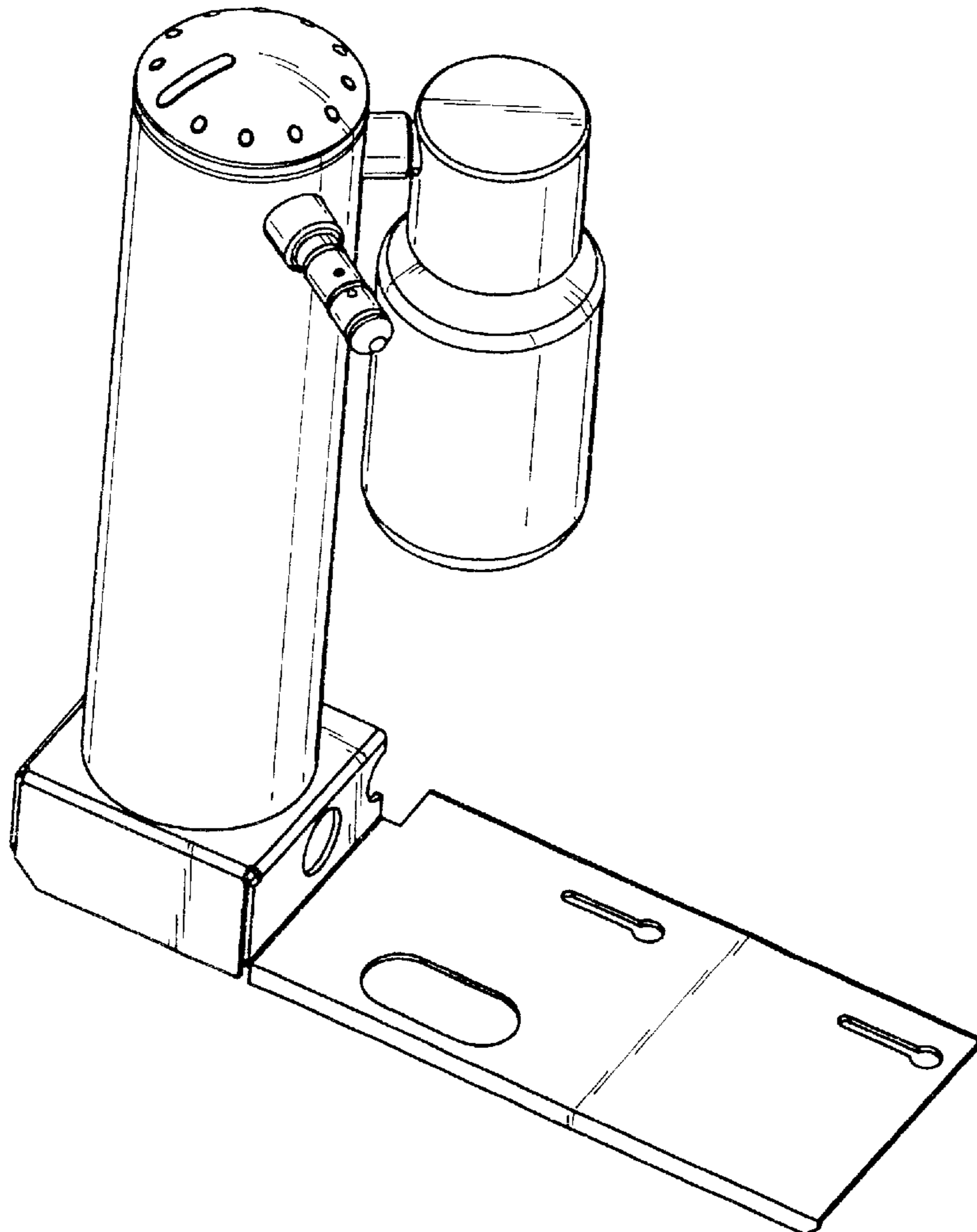
FIG. 1 is a top and left side perspective view of a medicament dispenser, showing my new design;
FIG. 2 is a top and right side perspective view thereof;
FIG. 3 is a right side elevational view thereof;
FIG. 4 is a left side elevational view thereof;
FIG. 5 is a bottom plan view thereof;
FIG. 6 is a top plan view thereof;
FIG. 7 is a rear elevational view thereof; and,
FIG. 8 is a front elevational view thereof.

(56) **References Cited**

U.S. PATENT DOCUMENTS

D. 386,259 * 11/1997 Hayashi et al. D24/111
D. 422,355 * 4/2000 Schuman et al. D24/111
D. 425,988 * 5/2000 Frank D24/152
3,924,335 * 12/1975 Balamuth et al. 433/119

1 Claim, 7 Drawing Sheets



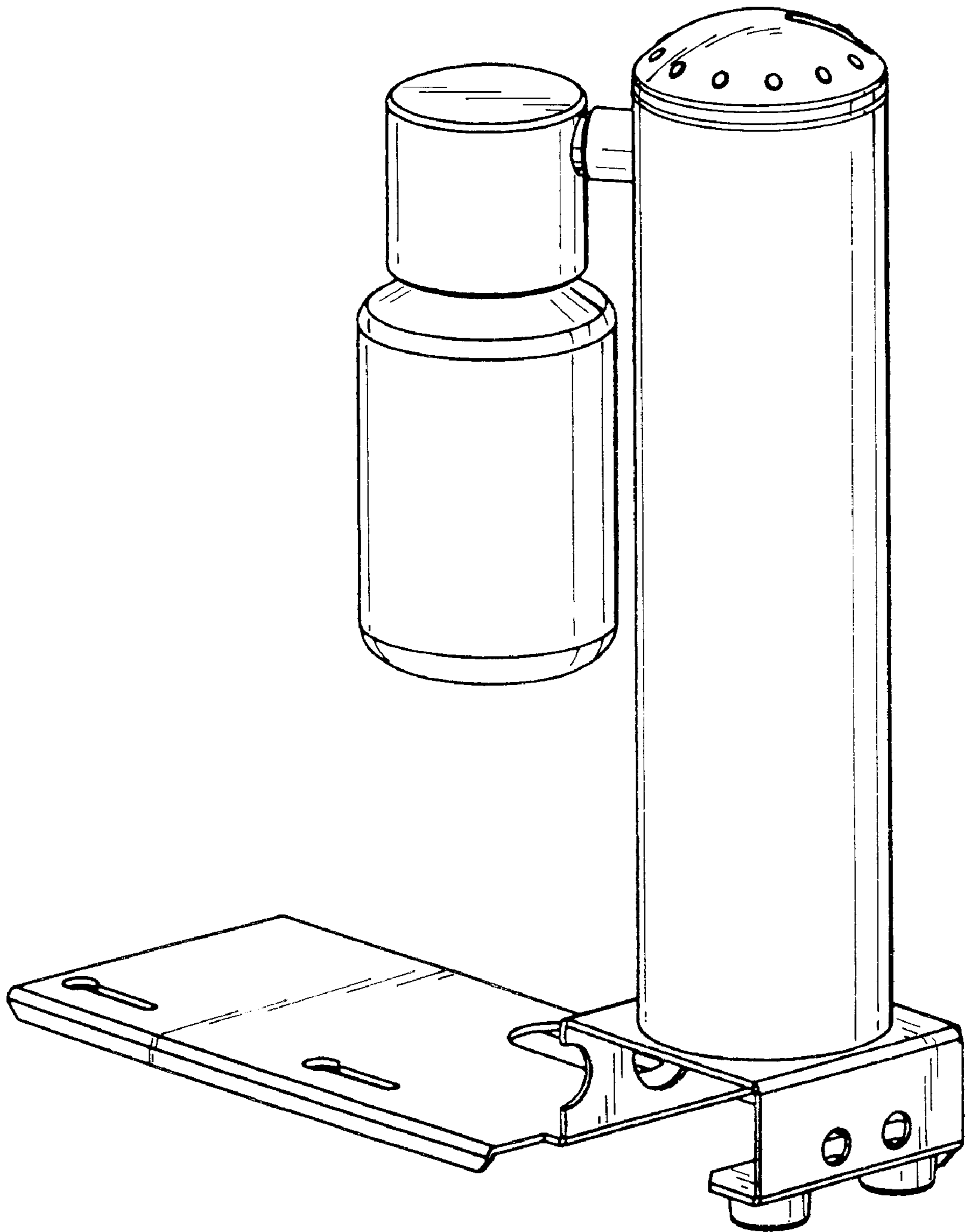


FIG. 1

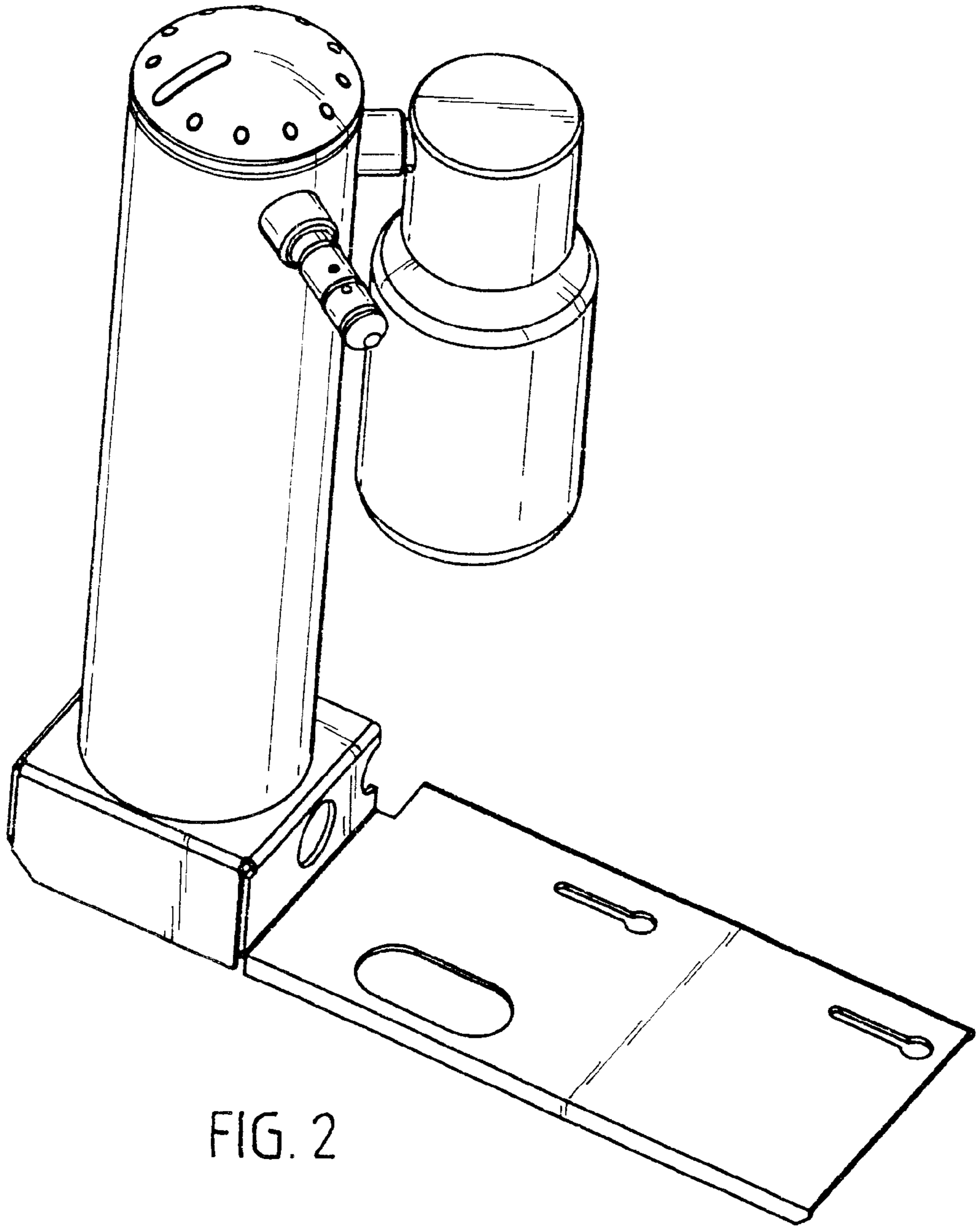


FIG. 2

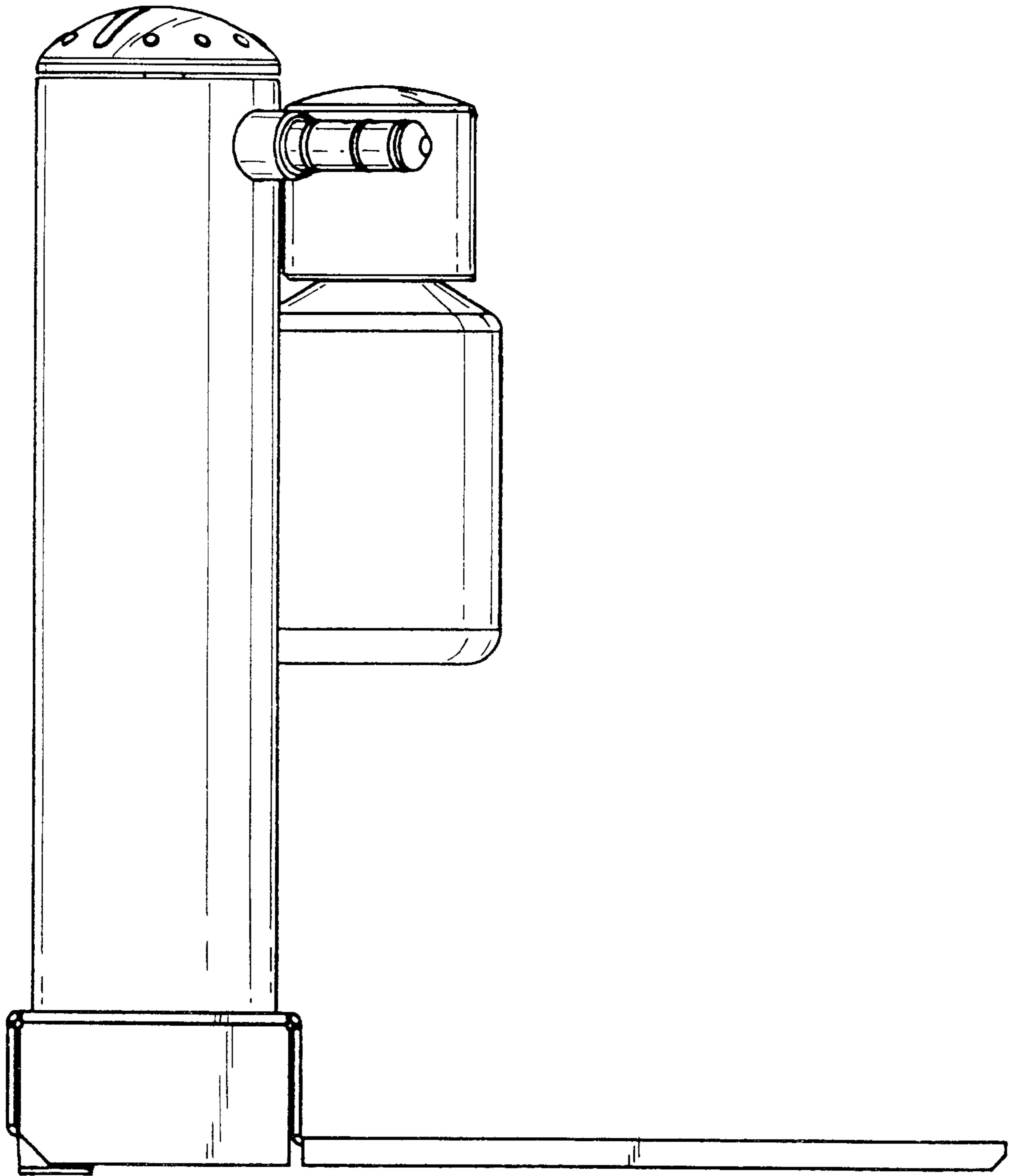


FIG. 3

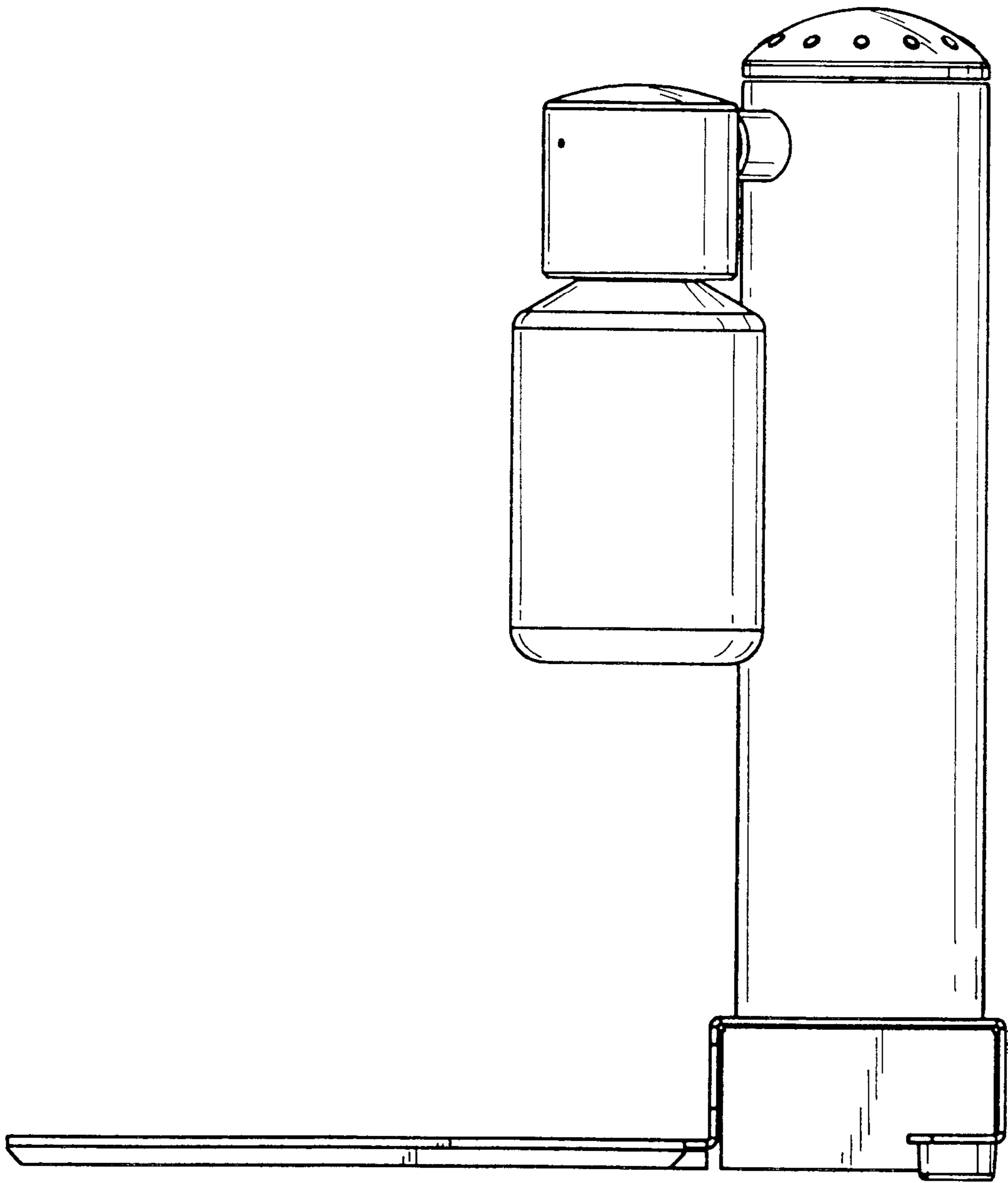


FIG. 4

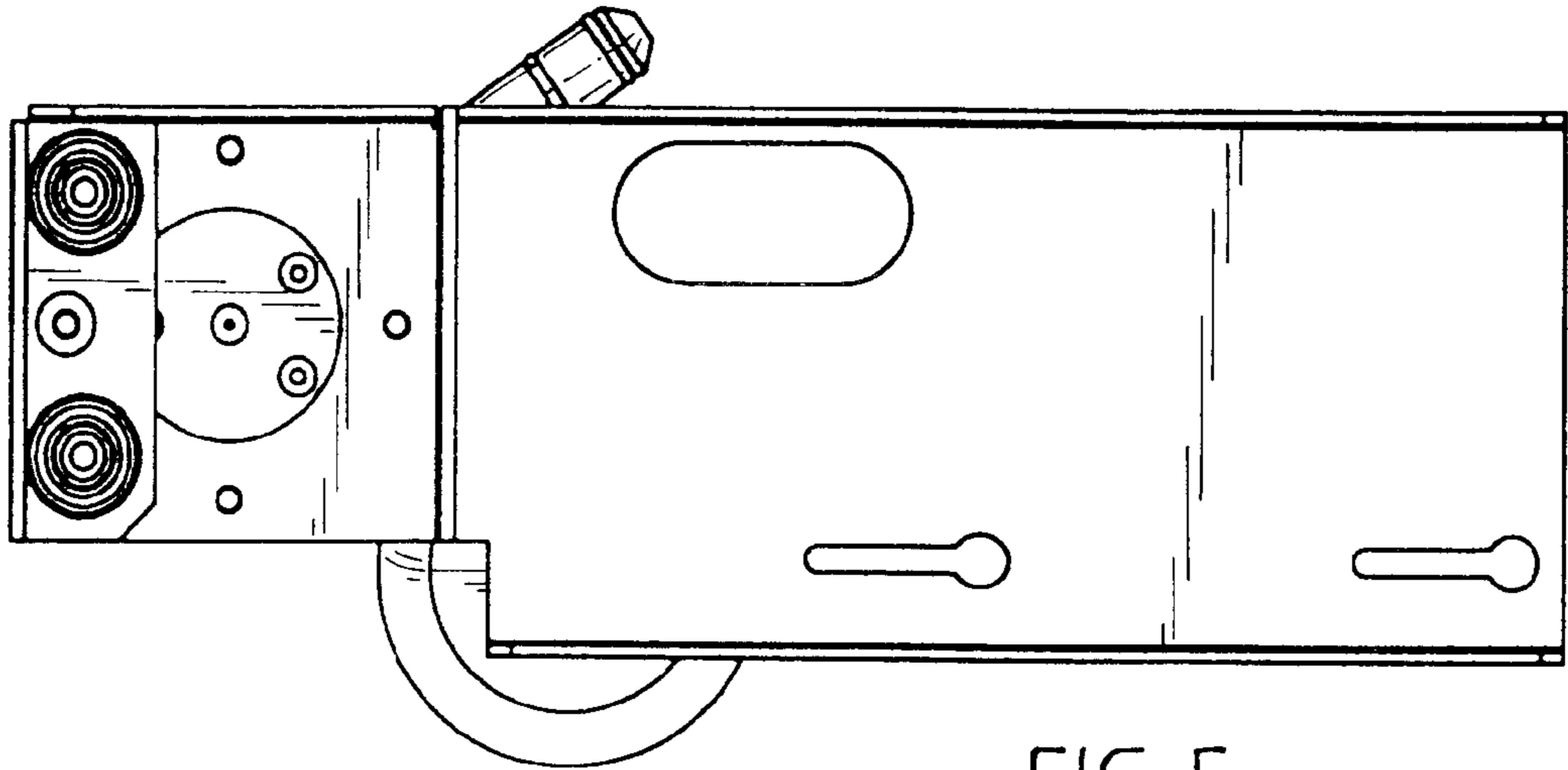


FIG. 5

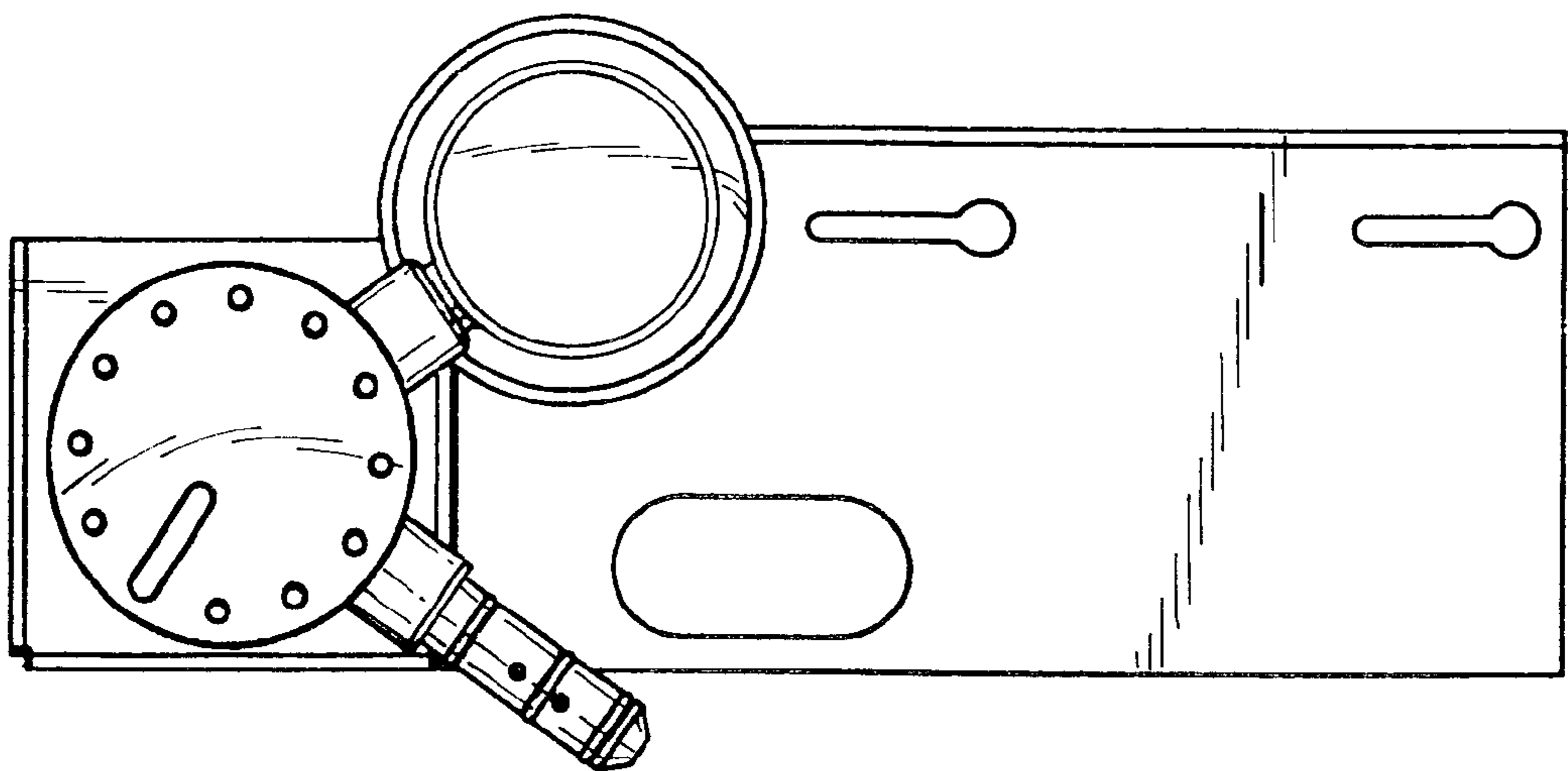


FIG. 6

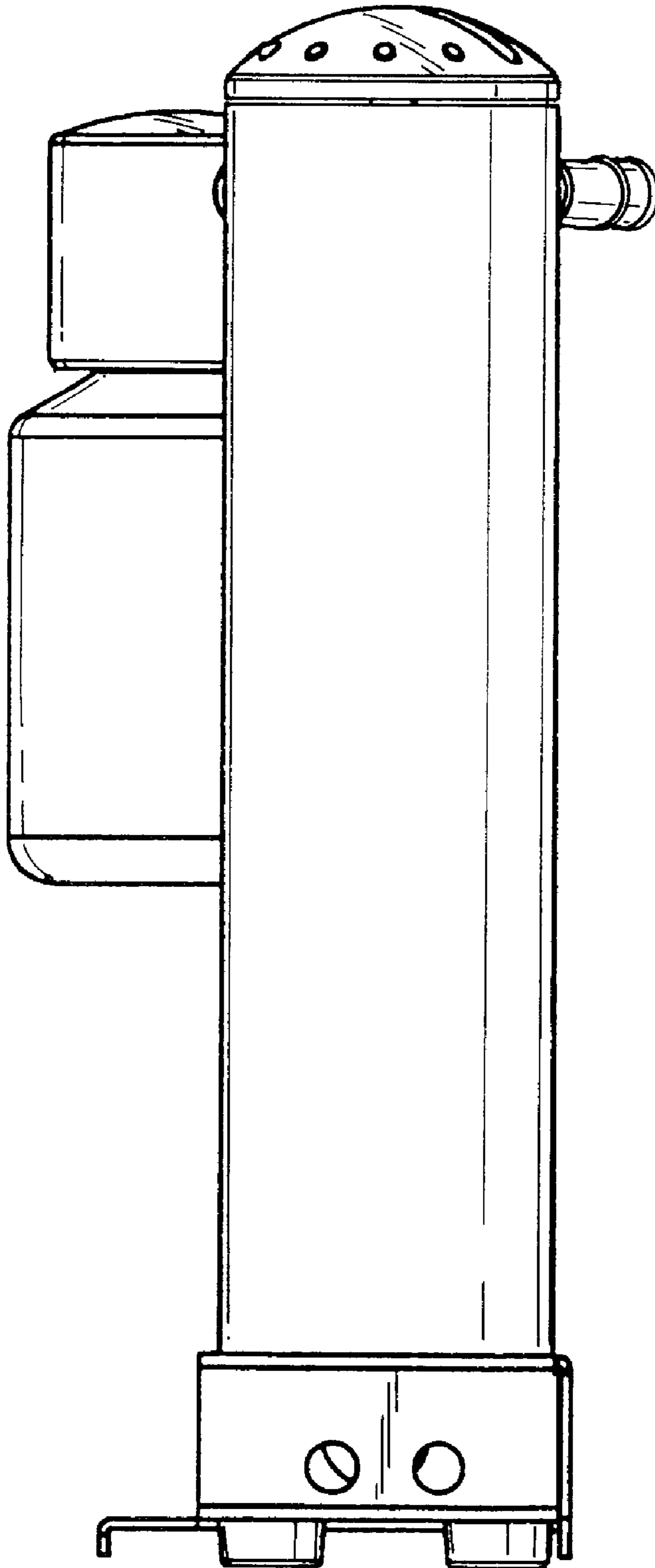


FIG. 7

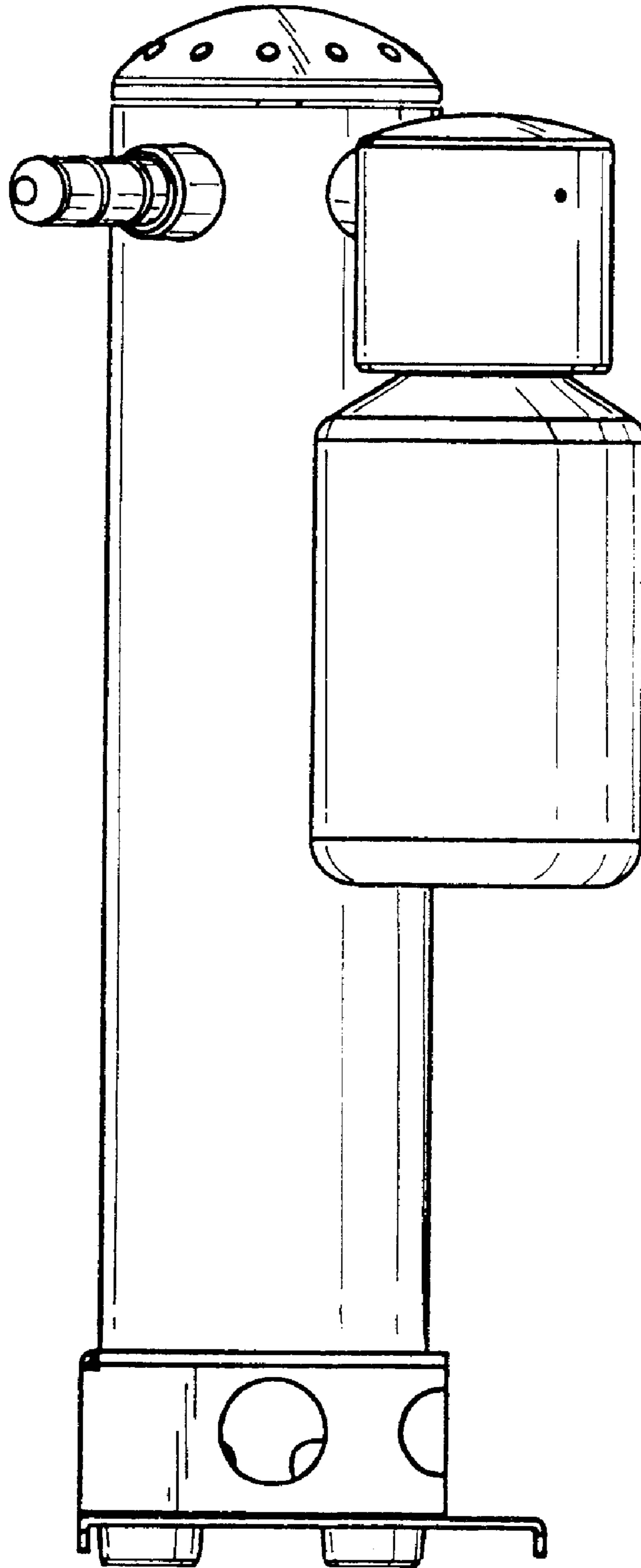


FIG. 8