



US00D438952S

(12) **United States Design Patent**
Cimino et al.

(10) **Patent No.:** **US D438,952 S**

(45) **Date of Patent:** **** Mar. 13, 2001**

(54) **CONSOLE FOR SURGICAL PROCEDURES**

(75) **Inventors:** **William Cimino; Kristen Morahan,**
both of Louisville; **Robert Blythe,**
Longmont, all of CO (US)

(73) **Assignee:** **Sherwood Services AG, Schaffhausen**
(CH)

(**) **Term:** **14 Years**

(21) **Appl. No.:** **29/094,116**

(22) **Filed:** **Sep. 25, 1998**

(51) **LOC (7) Cl.** **24-02**

(52) **U.S. Cl.** **D24/107; D24/108; D24/144;**
D24/185

(58) **Field of Search** **D24/108, 107,**
D24/111, 167, 169, 185, 186, 144; 604/332,
4, 19, 22, 66, 93, 131, 132, 133; 606/32,
34, 41; 600/103, 104

(56) **References Cited**

U.S. PATENT DOCUMENTS

- D. 352,106 * 11/1994 Faney et al. D24/185
- D. 367,534 * 2/1996 DiPerna et al. D24/169
- D. 387,168 * 12/1997 Edelman et al. D24/186
- 5,133,336 * 7/1992 Savitt et al. 600/103

- 5,334,183 * 8/1994 Wuchinich 604/22
- 5,641,144 * 6/1997 Hendrickson et al. 248/292.13
- 5,965,089 * 10/1999 Jarvik et al. 604/4
- 6,027,457 * 2/2000 Shmulewitz et al. 600/562

* cited by examiner

Primary Examiner—Ian Simmons

(57) **CLAIM**

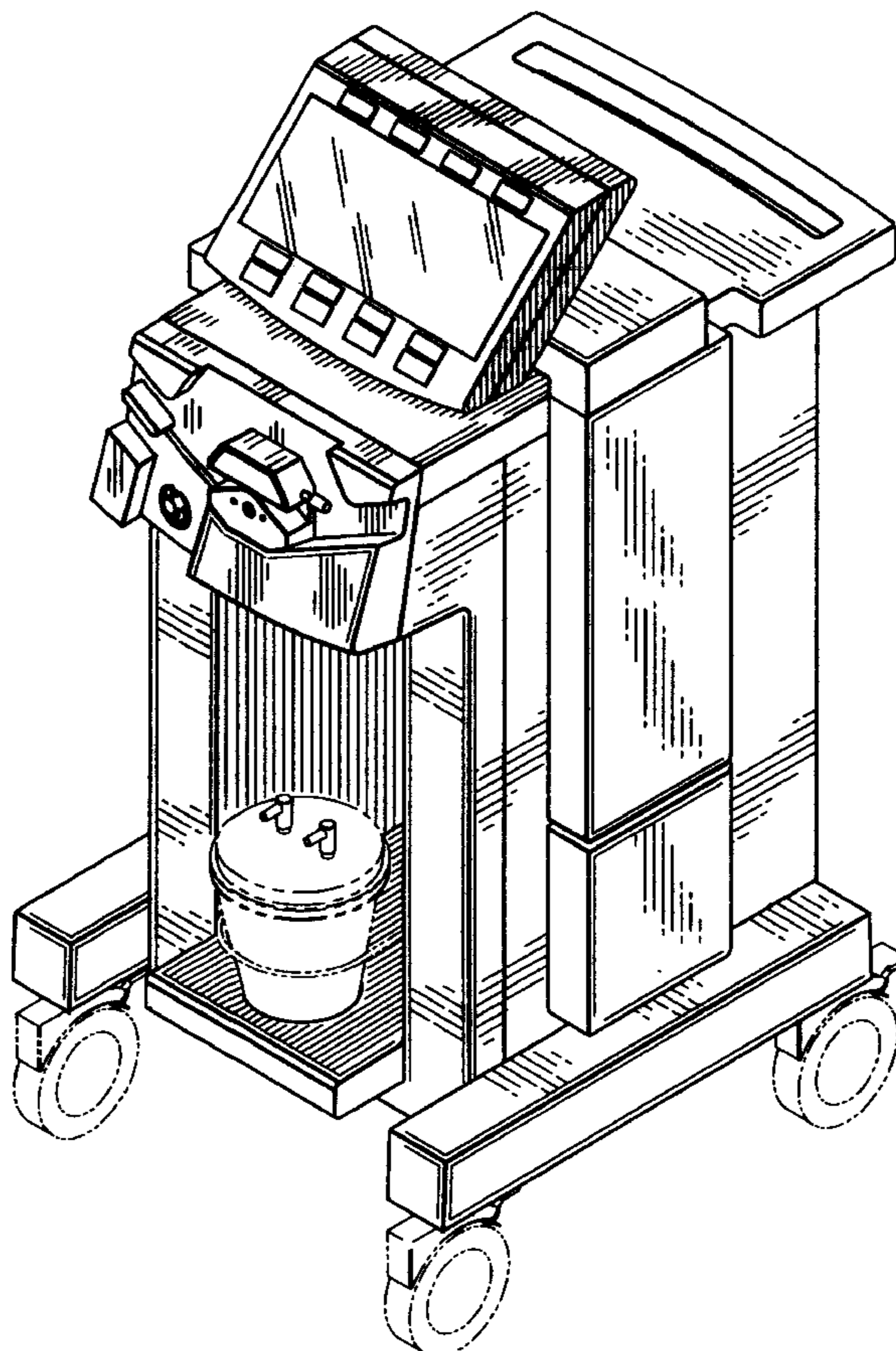
We claim the ornamental design for a console for surgical procedures, as shown and described.

DESCRIPTION

FIG. 1 is a perspective view of a console for surgical procedures showing our new design;
 FIG. 2 is a front view of the console for surgical procedures;
 FIG. 3 is a top plan view of the console for surgical procedures;
 FIG. 4 is a side view of the console for surgical procedures looking from the right of FIG. 2;
 FIG. 5 is a rear view of the console for surgical procedures;
 FIG. 6 is a side view of the console for surgical procedures looking from the left of FIG. 2; and,
 FIG. 7 is a bottom plan view of the console for surgical procedures.

The broken line showing in FIGS. 1-7 is for illustrative purposes only and forms no part of the claimed design.

1 Claim, 4 Drawing Sheets



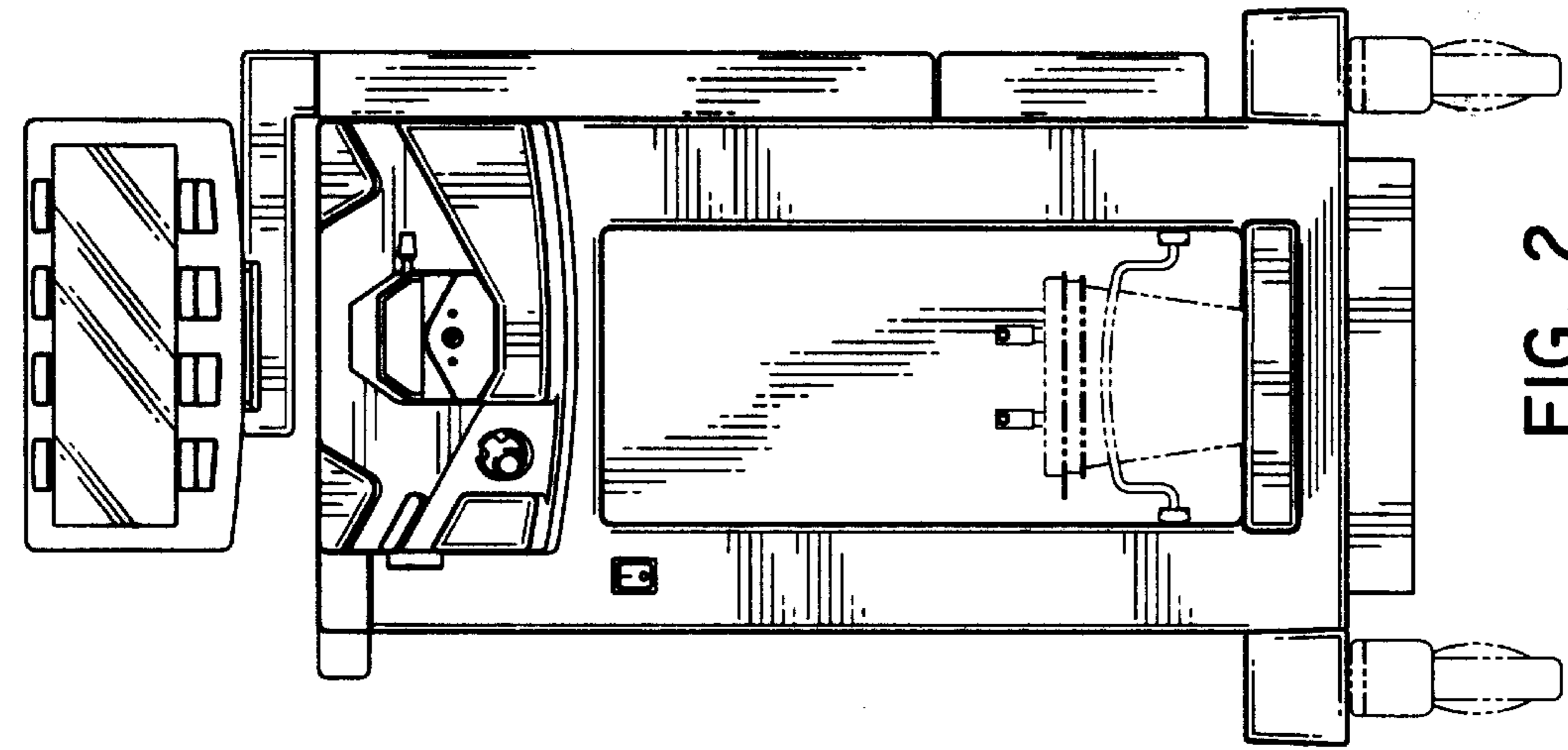


FIG. 2

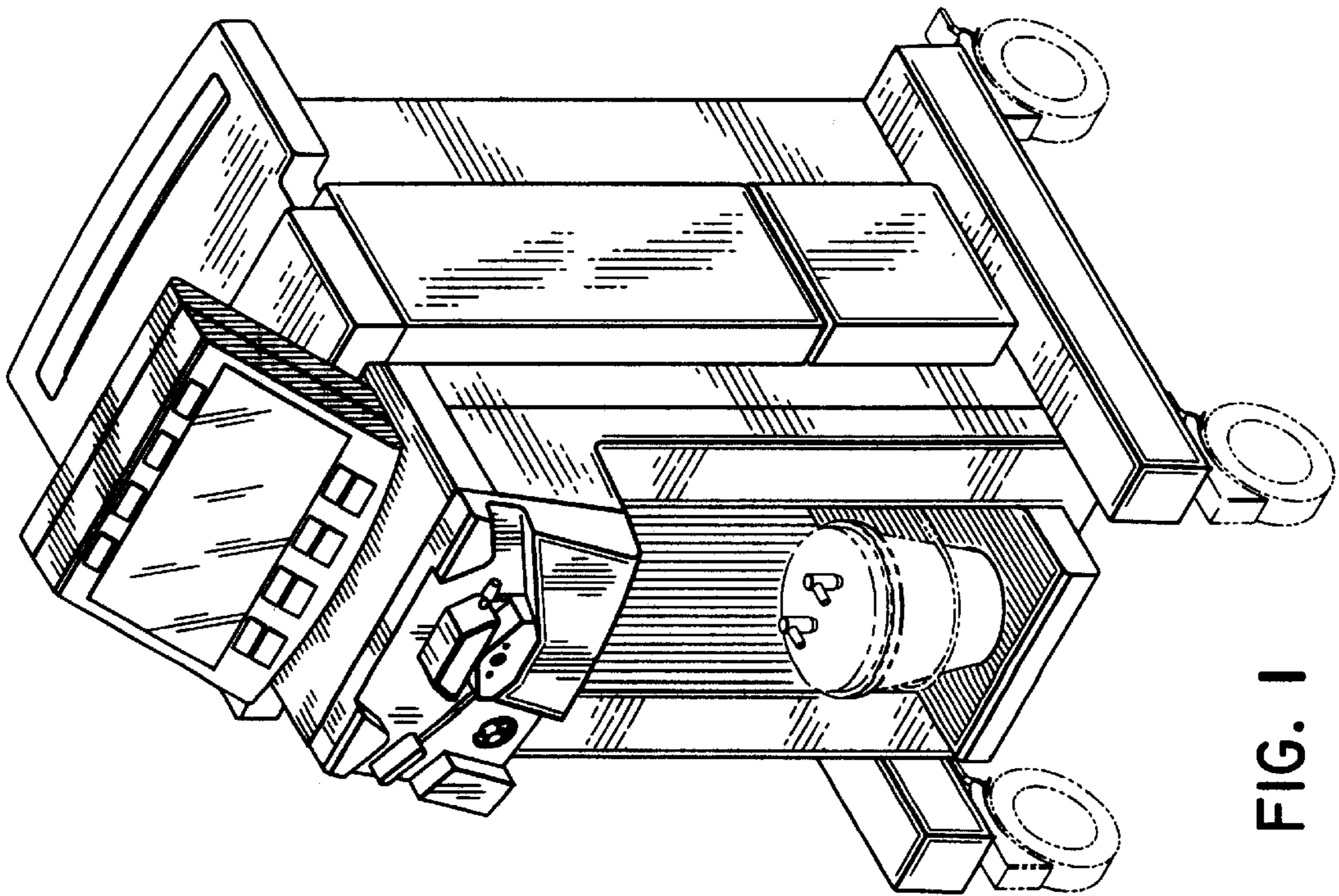


FIG. 1

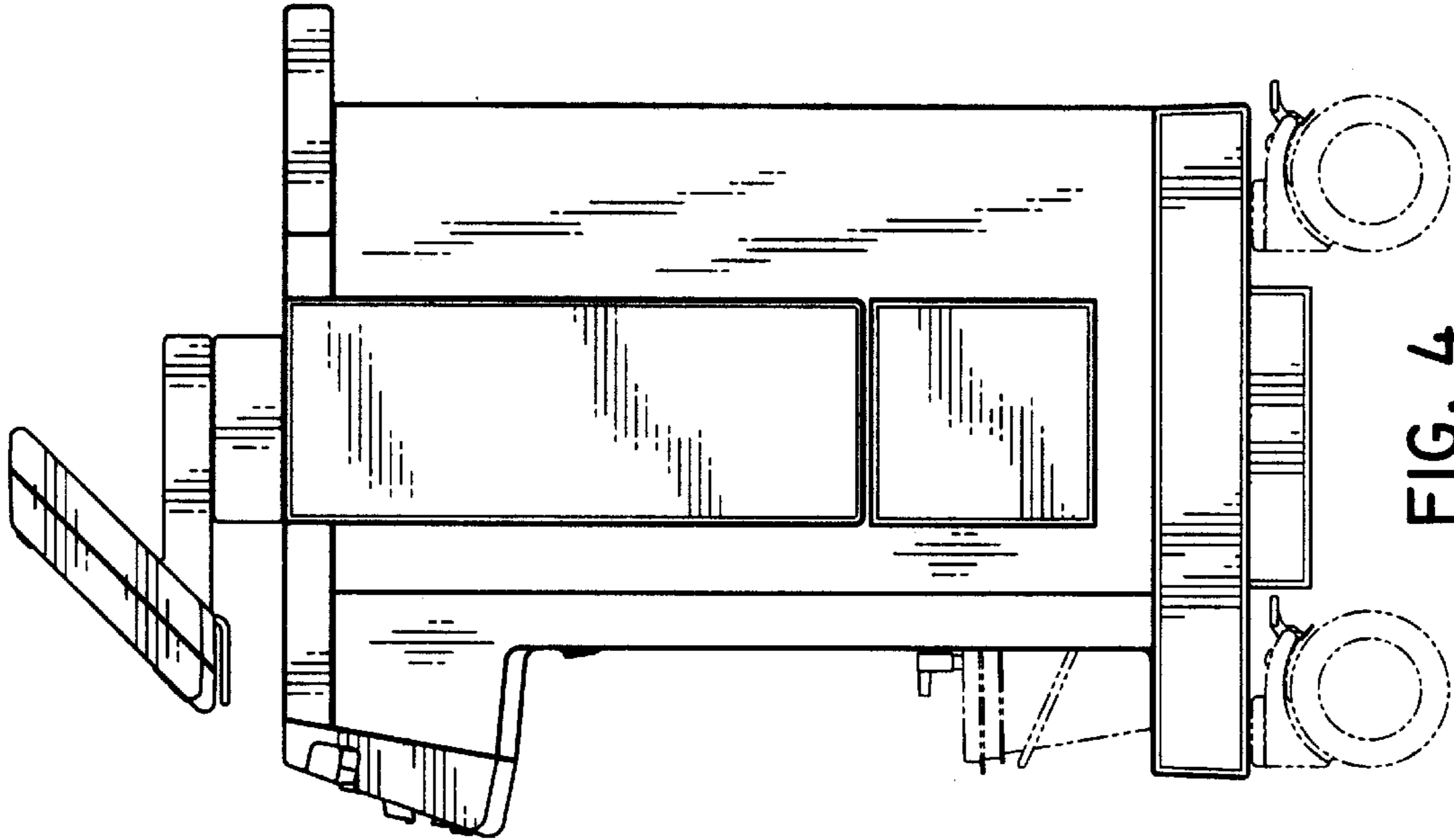


FIG. 4

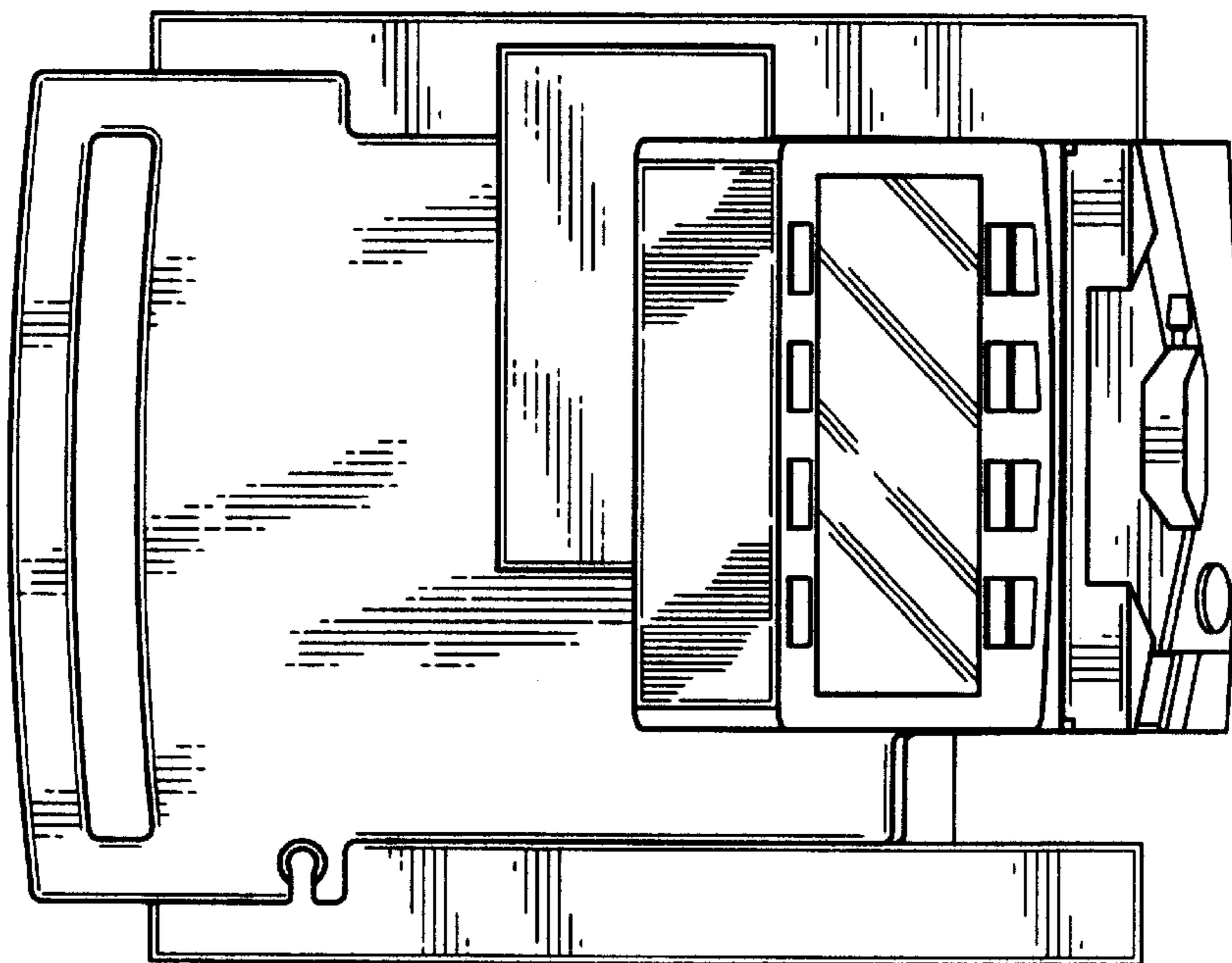


FIG. 3

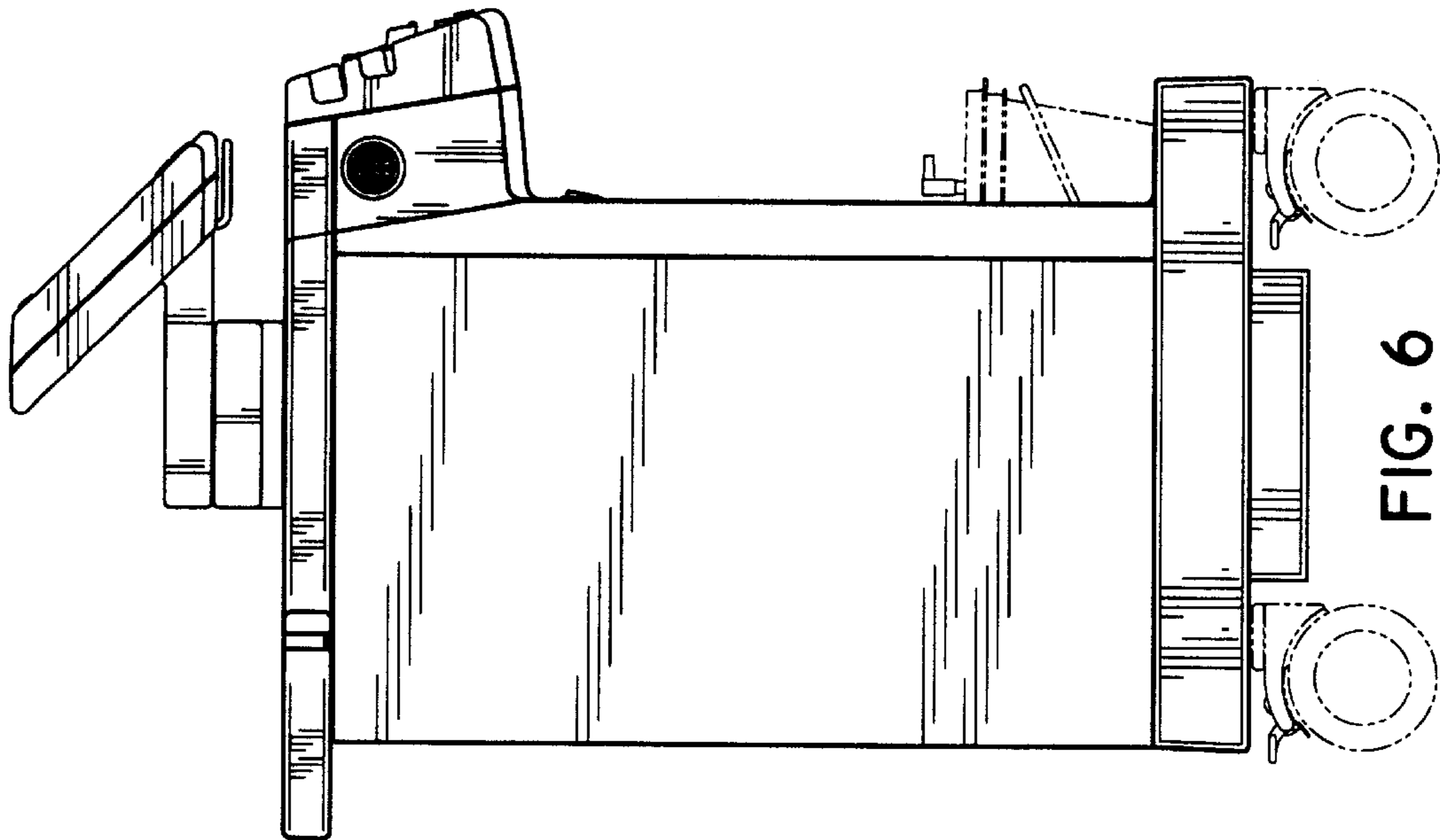


FIG. 6

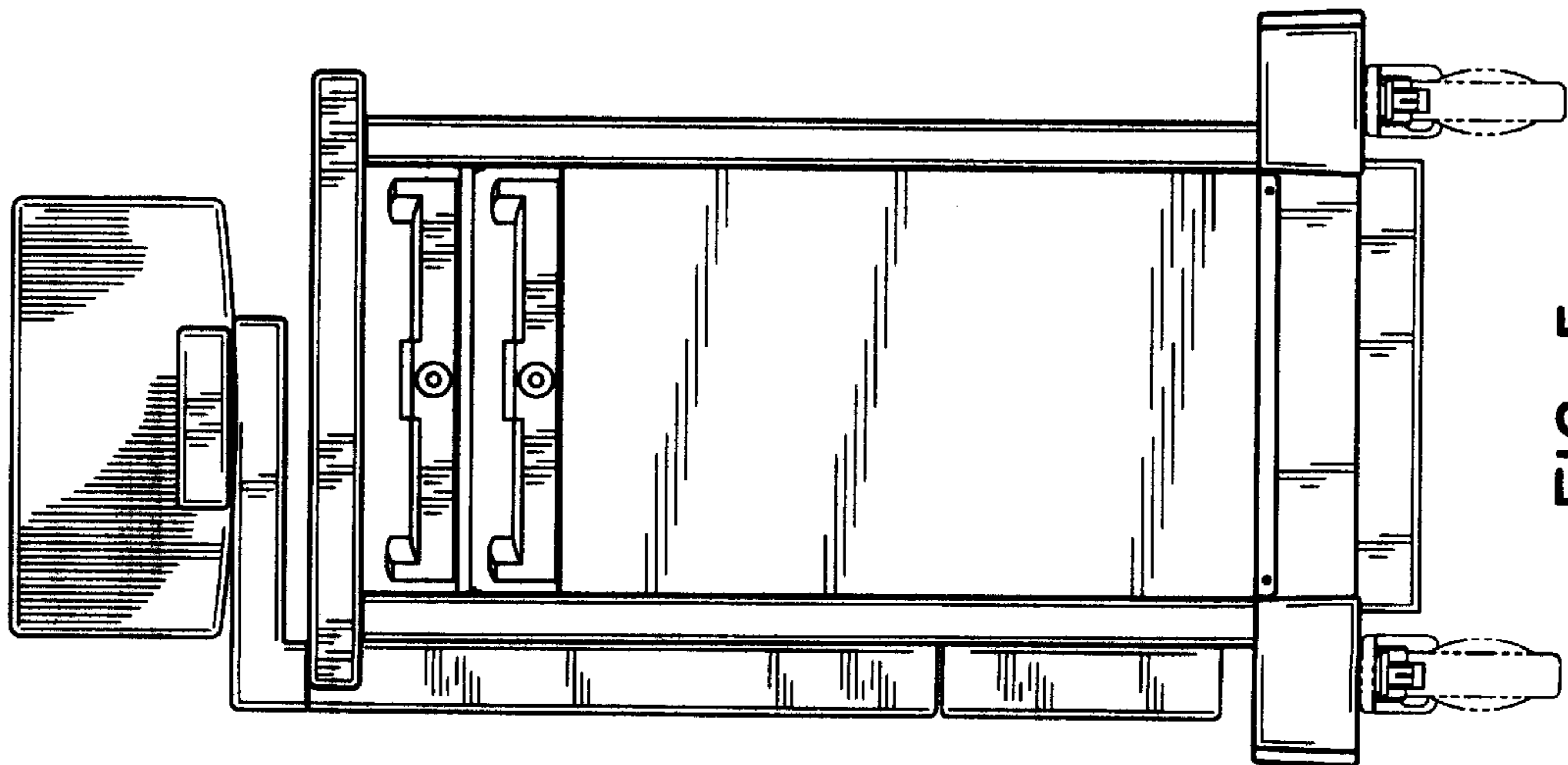


FIG. 5

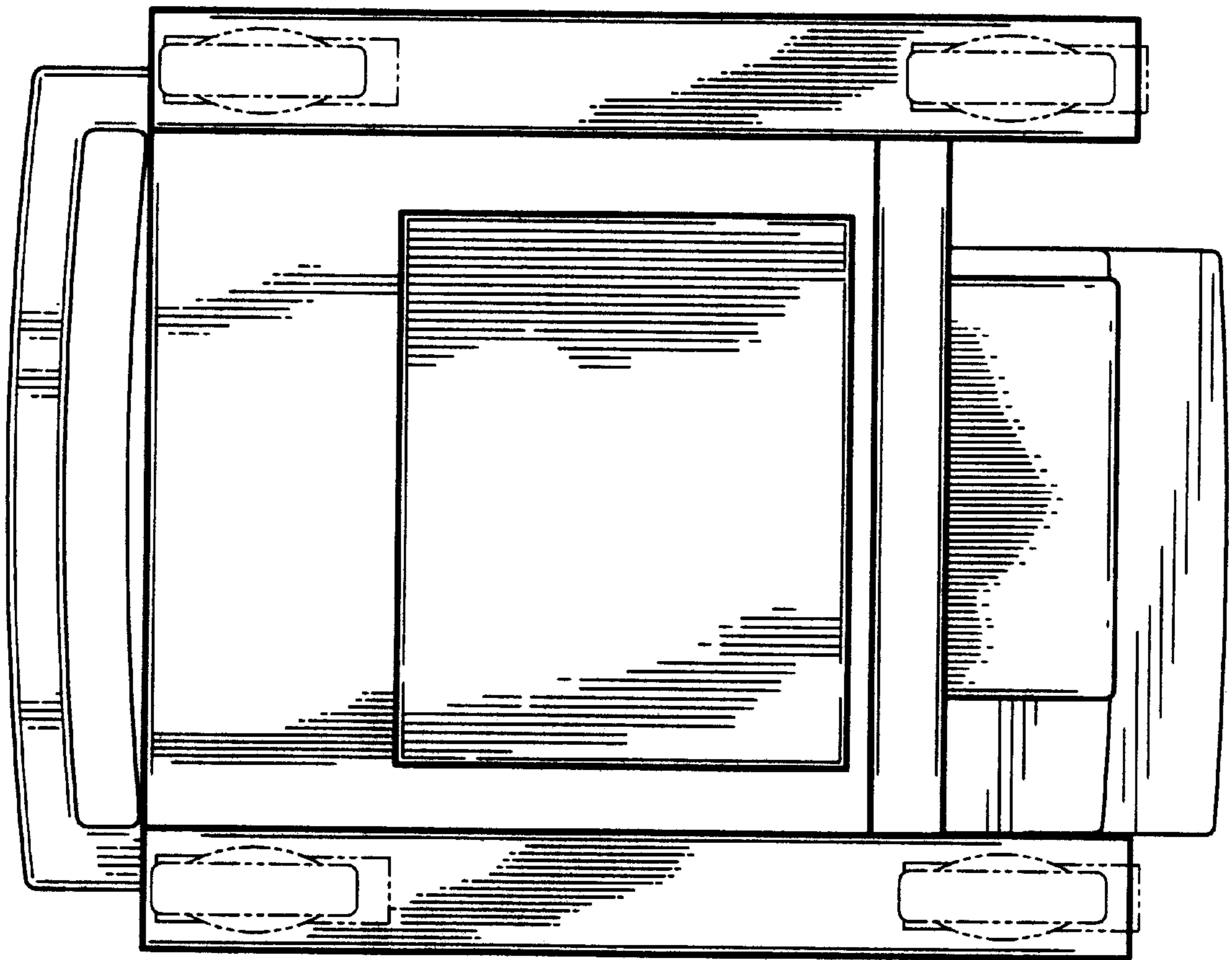


FIG. 7