



US00D438950S

(12) **United States Design Patent**
Frampton

(10) **Patent No.:** **US D438,950 S**

(45) **Date of Patent:** **** Mar. 13, 2001**

(54) **CEILING FAN MOTOR HOUSING OR SIMILAR ARTICLE**

(75) Inventor: **Thomas C. Frampton**, Indianapolis, IN (US)

(73) Assignee: **Fanimation Design and Manufacutring, Inc.**, Lebanon, IN (US)

(**) Term: **14 Years**

(21) Appl. No.: **29/116,686**

(22) Filed: **Jan. 7, 2000**

(51) **LOC (7) Cl.** **23-04**

(52) **U.S. Cl.** **D23/411; D23/385; D23/377**

(58) **Field of Search** **D23/377, 379, D23/385, 411, 413; 416/5, 170 R; D15/53**

(56) **References Cited**

U.S. PATENT DOCUMENTS

- 840,310 * 1/1907 Goldsborough 416/5
- 3,423,012 * 1/1969 Baker 416/178
- 5,934,876 * 8/1999 Nagy 416/178

* cited by examiner

Primary Examiner—Lisa Lichtenstein
(74) *Attorney, Agent, or Firm*—Daniel L. Boots; Bingham, Summers, Welsh & Spilman, LLP

(57) **CLAIM**

The ornamental design for a ceiling fan motor housing or similar article, as shown and described.

DESCRIPTION

FIG. 1 is a bottom perspective view of the ceiling fan motor housing or similar article provided by my invention shown in isolation;

FIG. 2 is a side elevation view of the ceiling fan motor housing or similar article shown in FIG. 1;

FIG. 3 is a top view of the ceiling fan motor housing or similar article shown in FIG. 1;

FIG. 4 is a bottom view of the ceiling fan motor housing or similar article shown in FIG. 1;

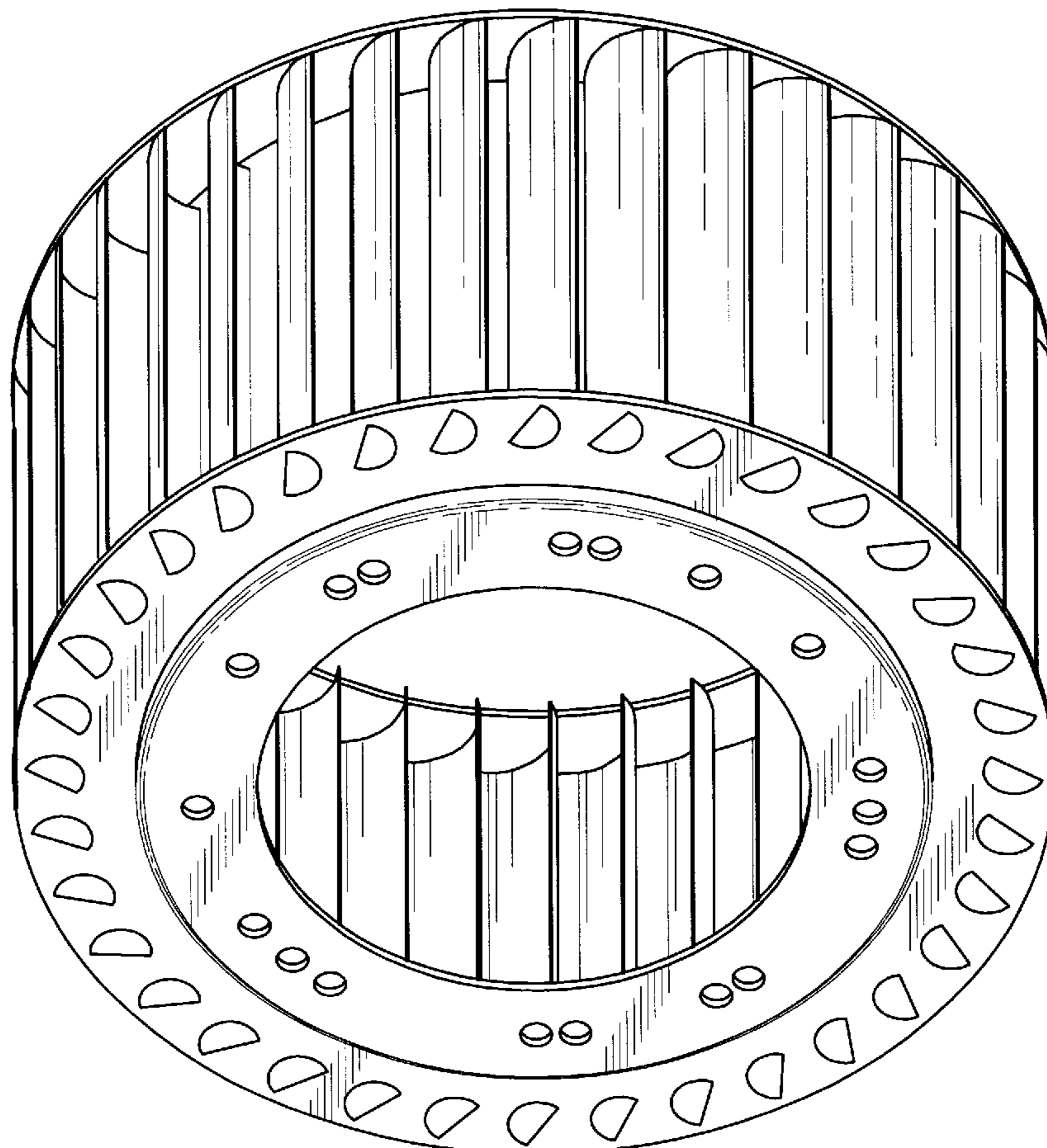
FIG. 5 is a top perspective view of the ceiling fan motor housing or similar article showing my new design shown in use, the broken line showing of environmental structure being for illustrative purposes only and forming no part of the claimed design.

FIG. 6 is a side elevation view of FIG. 5;

FIG. 7 is a bottom view of FIG. 5; and,

FIG. 8 is a top view of FIG. 5.

1 Claim, 8 Drawing Sheets



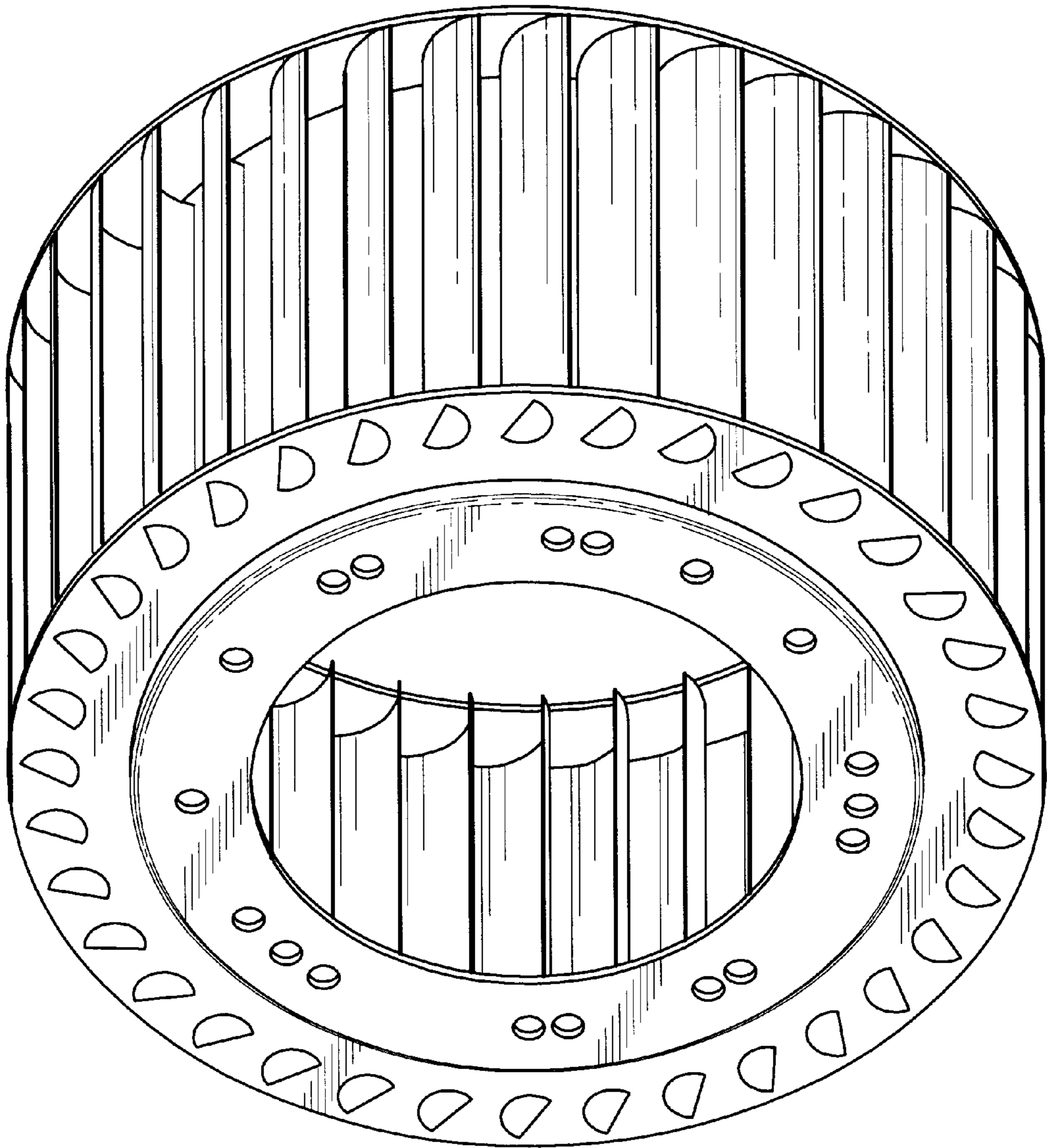


Fig. 1

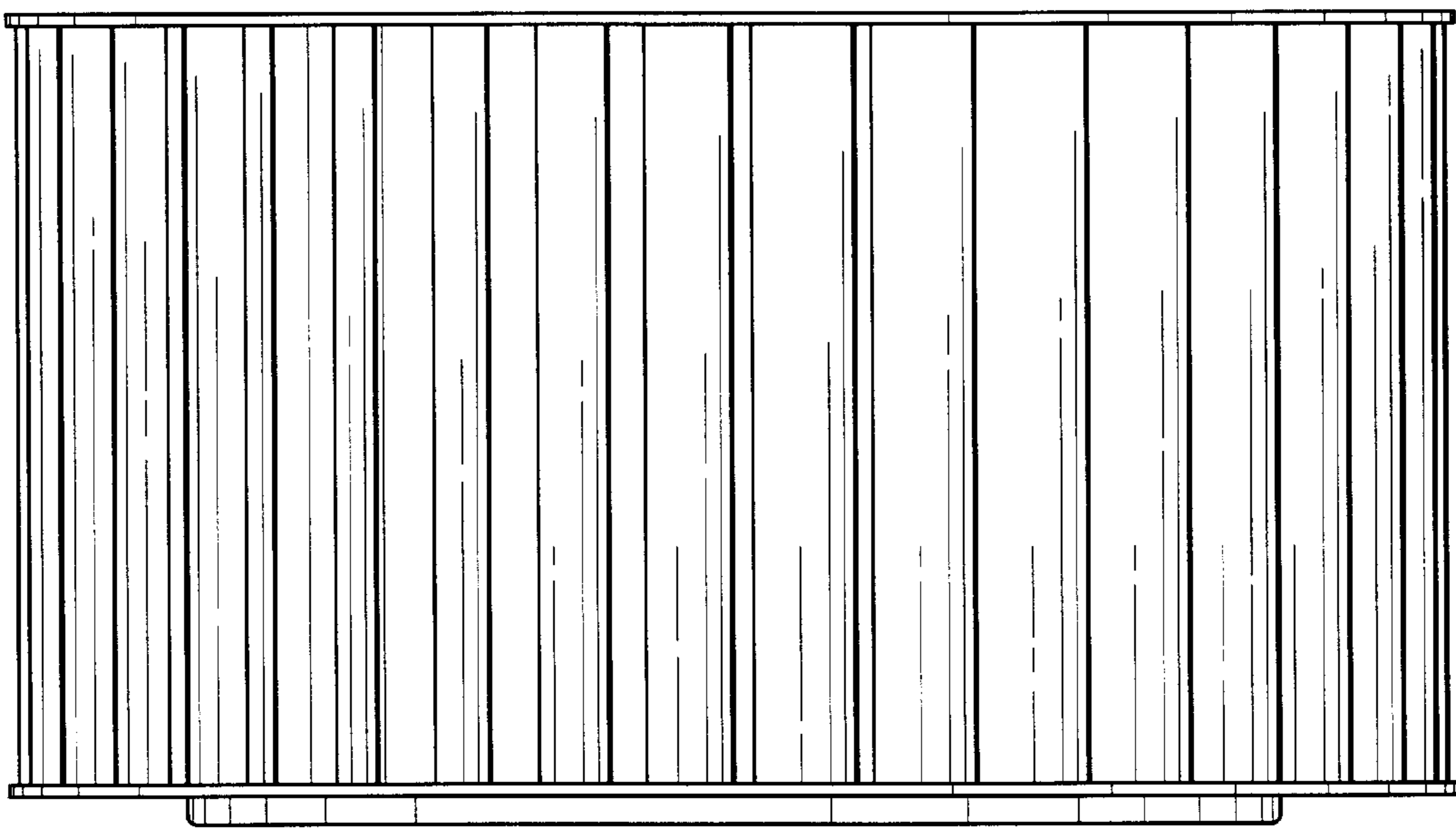


Fig. 2

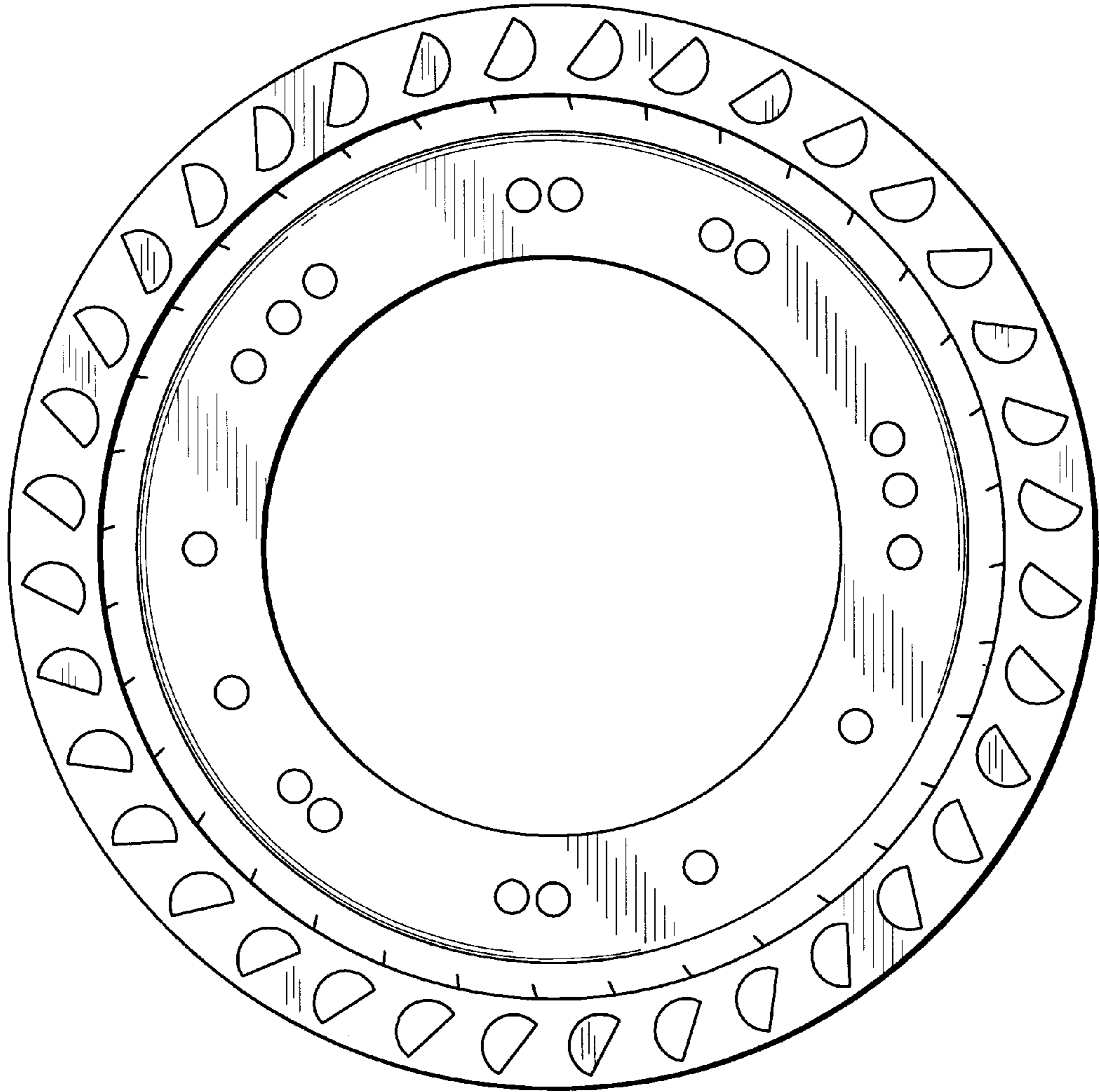


Fig. 3

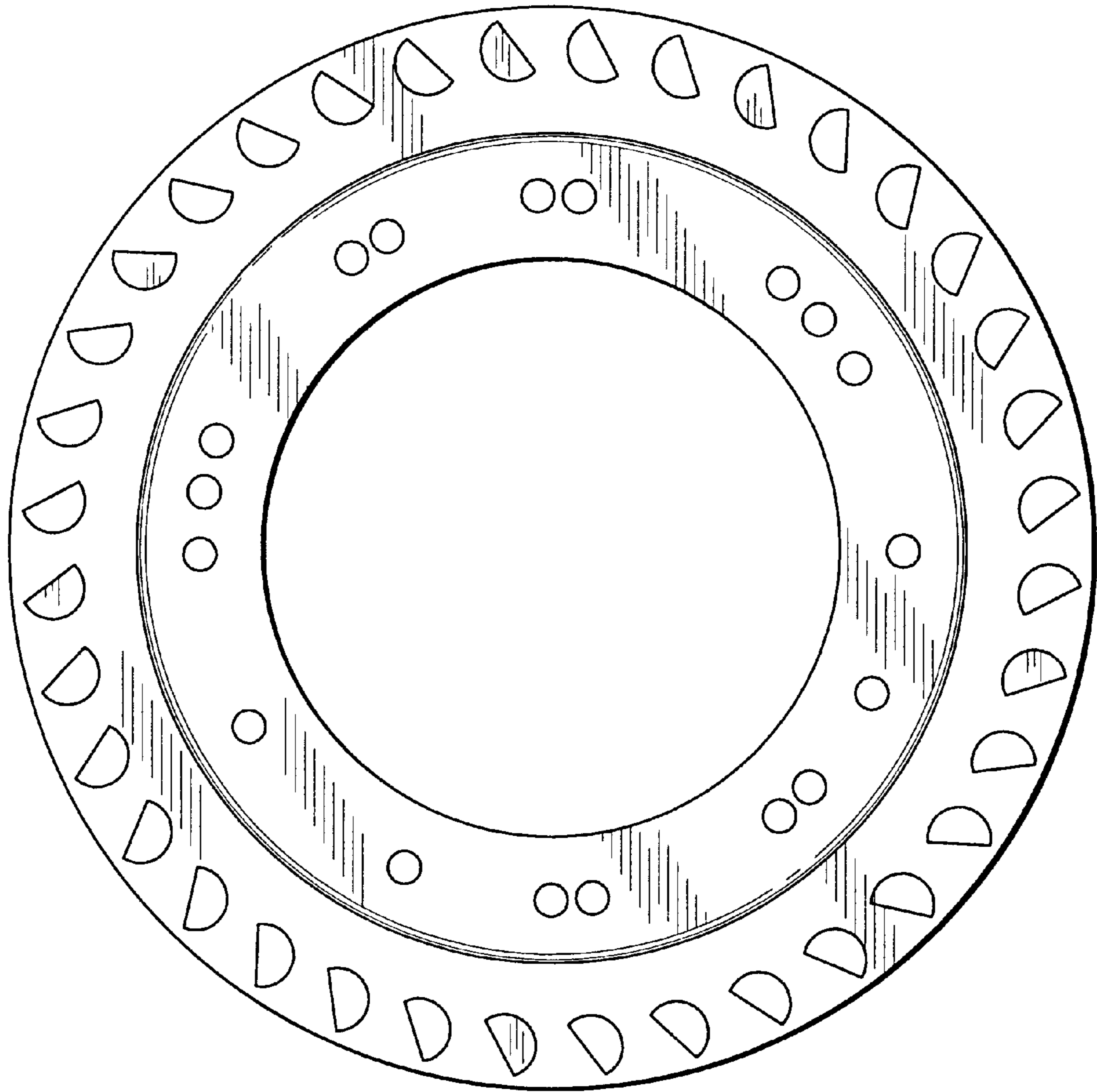


Fig. 4

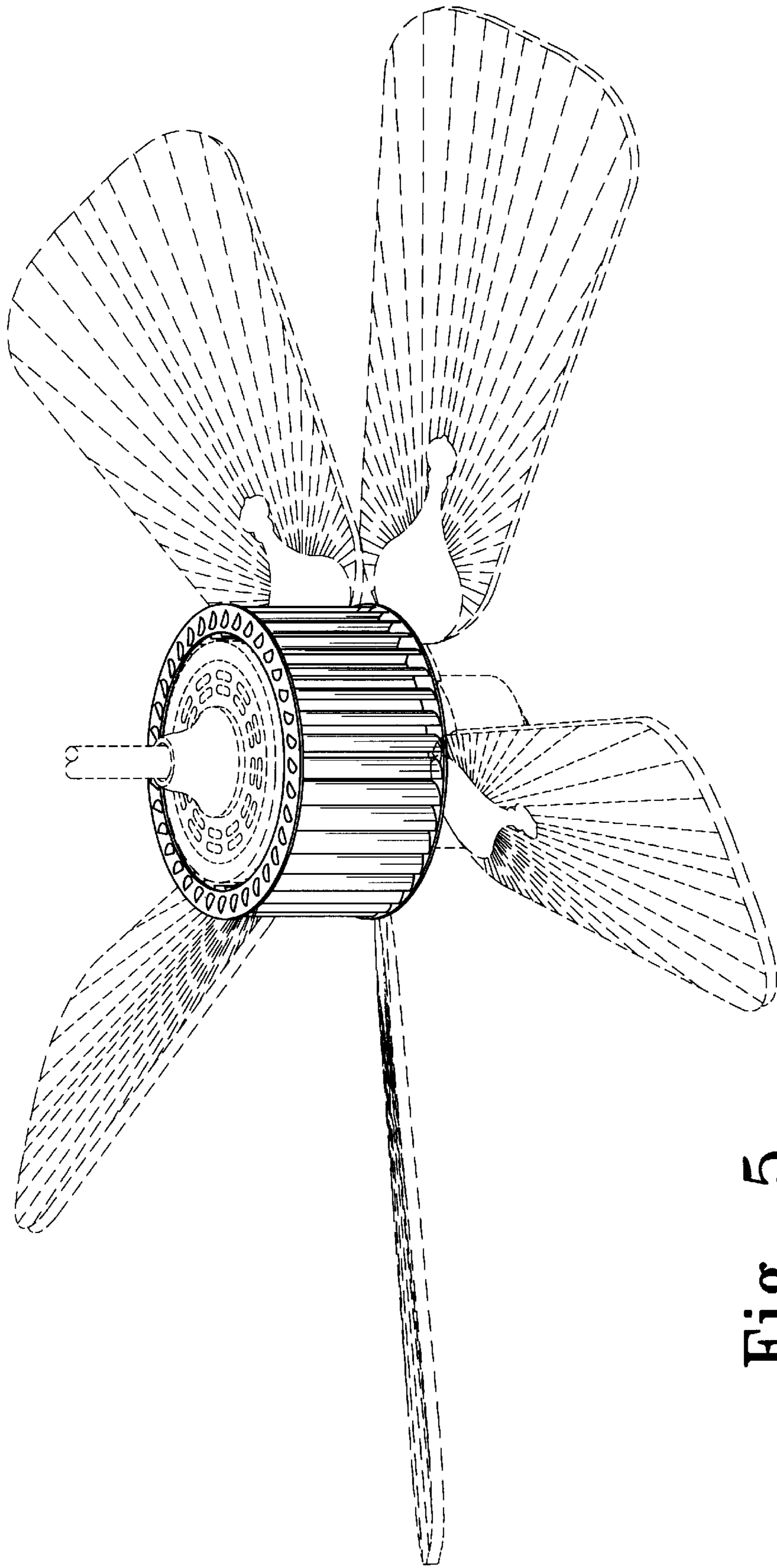


Fig. 5

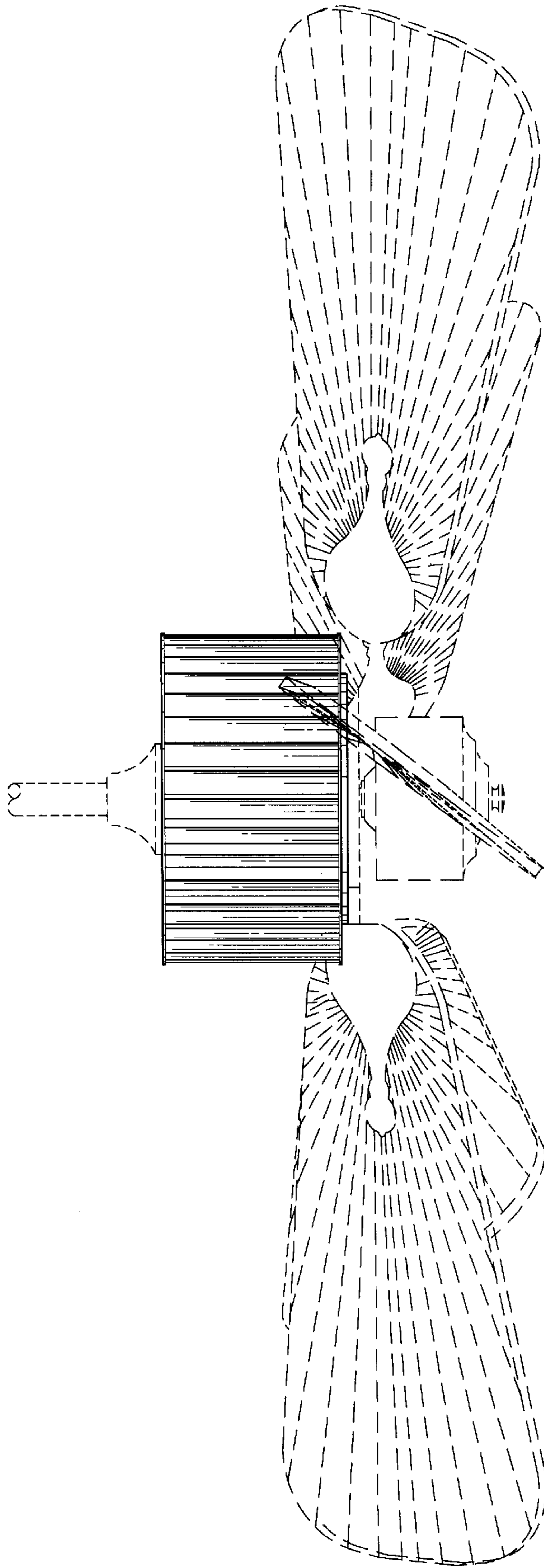


Fig. 6

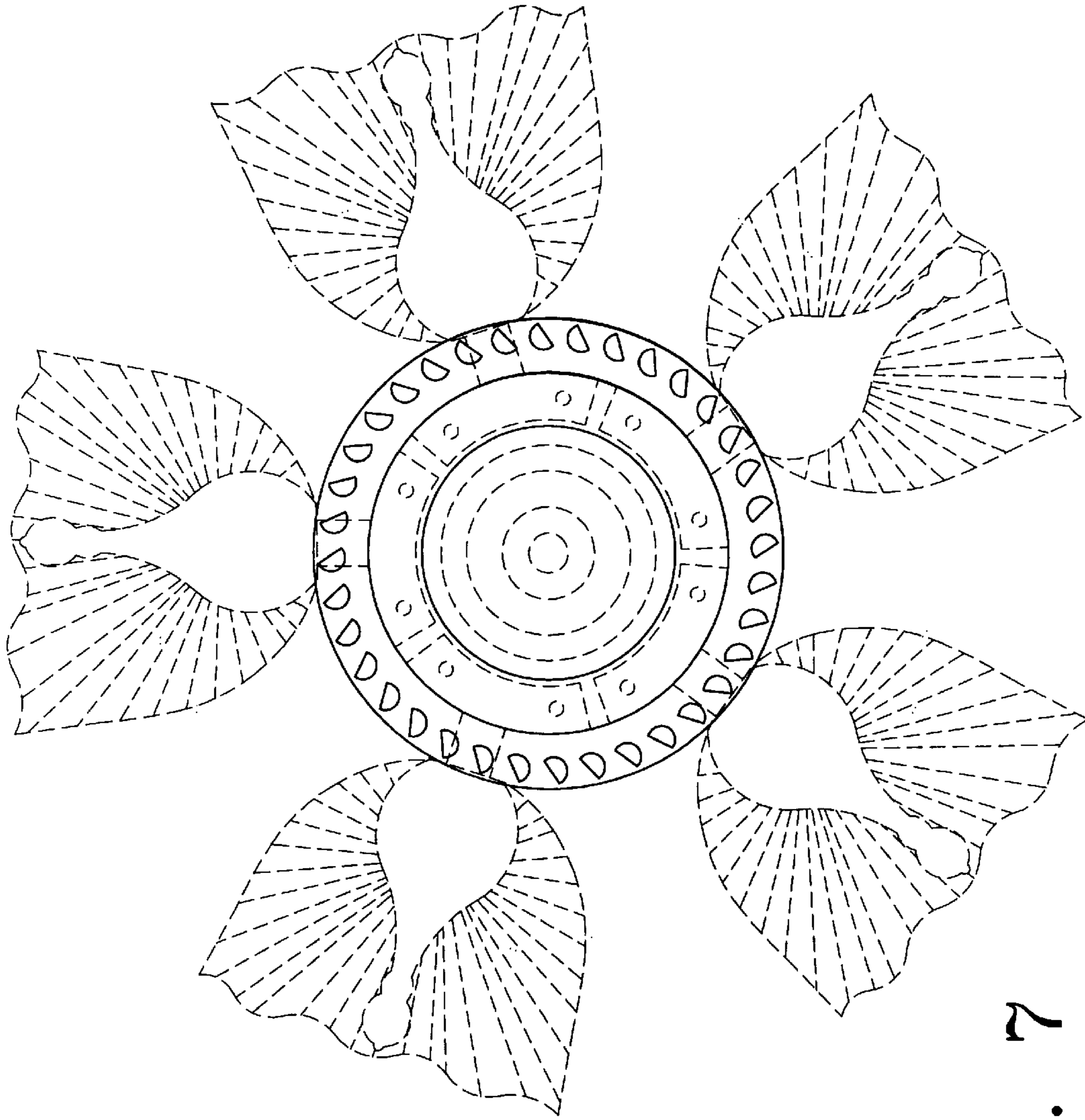


Fig. 7

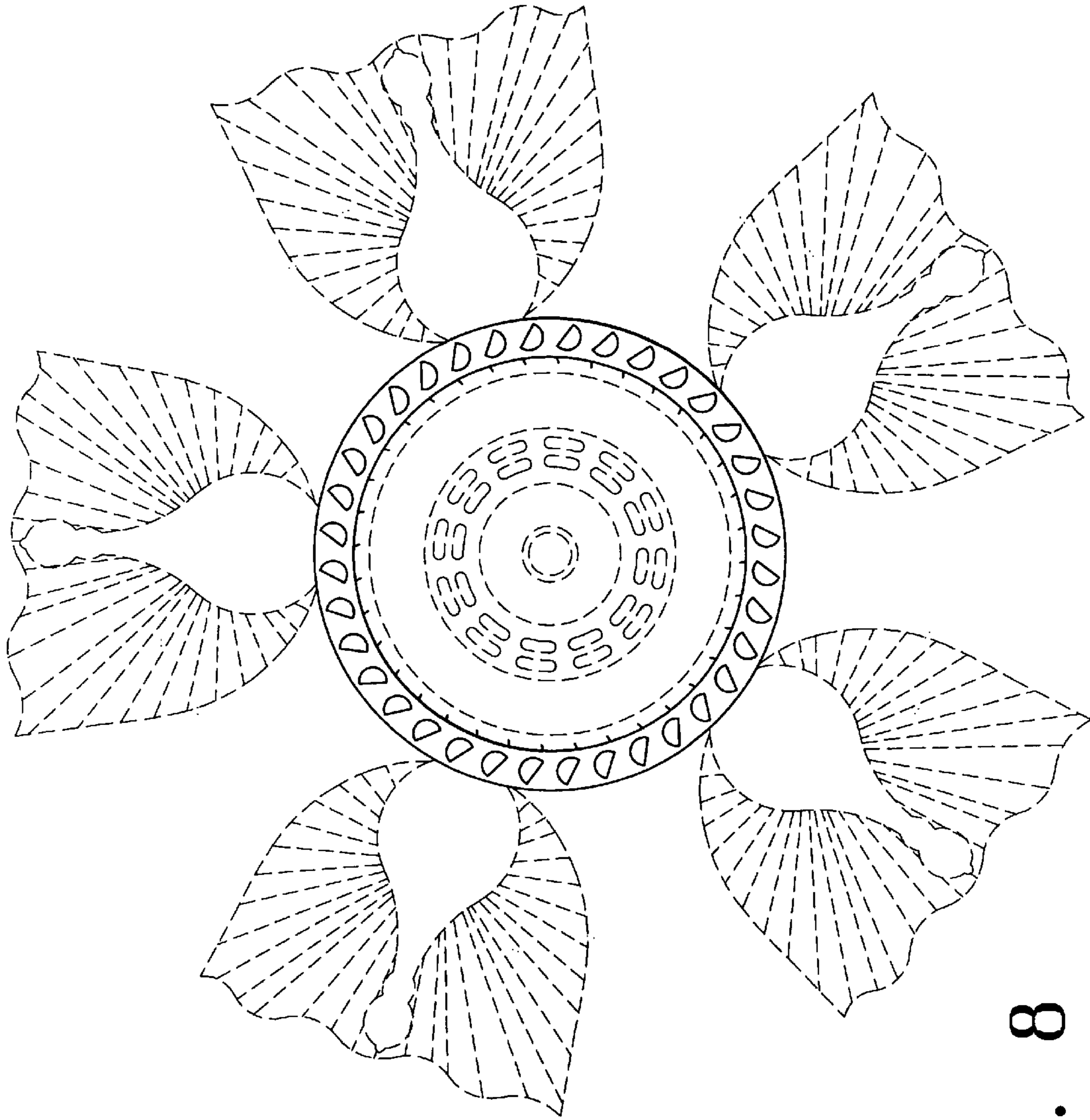


Fig. 8